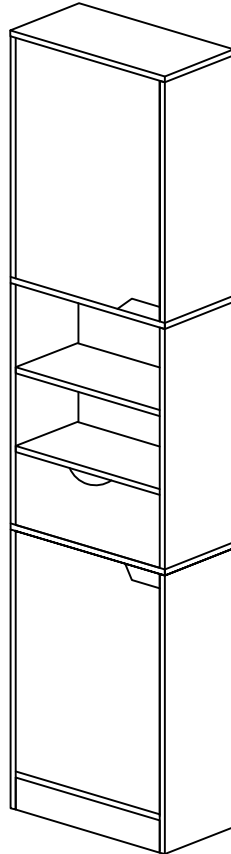
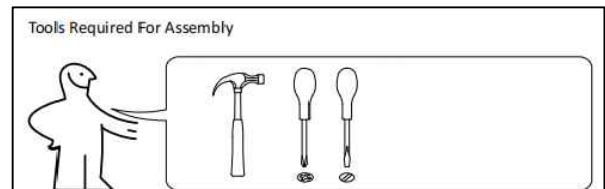
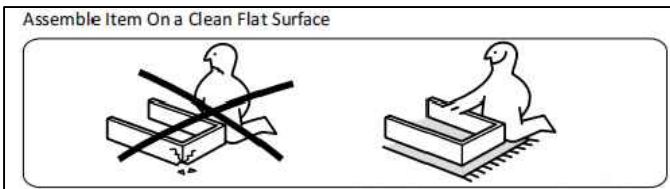


Instruction Manual



DEAR CUSTOMER,
 Thank you for choosing our product. Please read this manual carefully before assembling. If the product is passed on to the third party, this manual has to be passed on along with the product. Enjoy your new purchase!

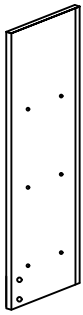
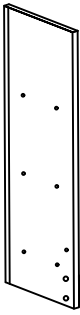
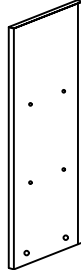
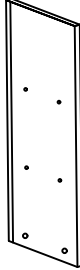
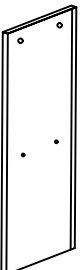
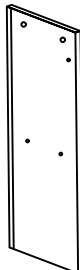
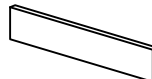



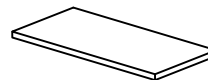


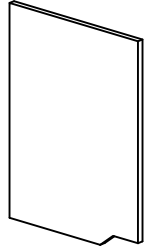
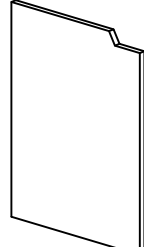
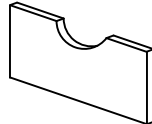
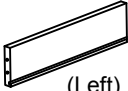

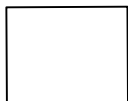
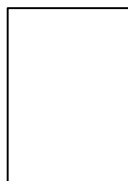



HARDWARE LIST

1	2	3	4	5	6	7	8	9	10
x20pcs	x20pcs	x2pcs	x36pcs		x2pcs	x2pcs	x14pcs	x12pcs	x1pcs

PARTS LIST

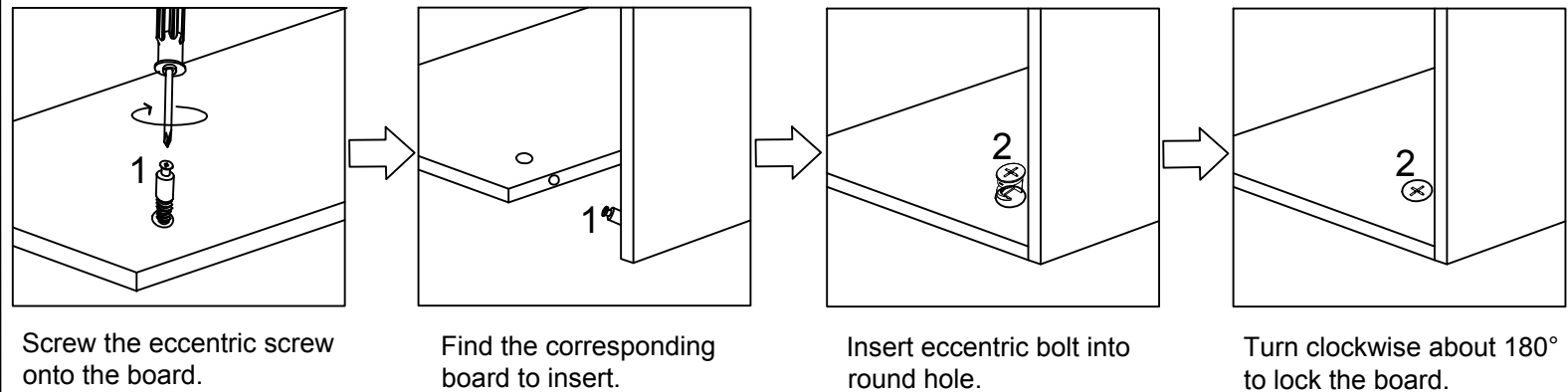
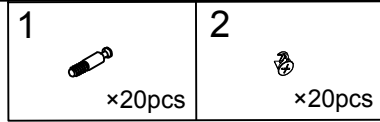
Note: there will be some error in the measurement, the actual size shall prevail.

A1  ×1pc	B1  ×1pc	A2  ×1pc	B2  ×1pc
A3  ×1pc	B3  ×1pc	C  ×1pc	D  ×1pc
E  ×3pcs	F  ×1pc	G  ×2pcs	H  ×1pc
I  ×1pc	J  ×1pc	K  ×1pc	L  ×1pc
M  (Left) ×1pc	O  ×1pc	P  (thin plate) ×1pc	Q  (thin plate) ×3pcs
N  (Right) ×1pc			

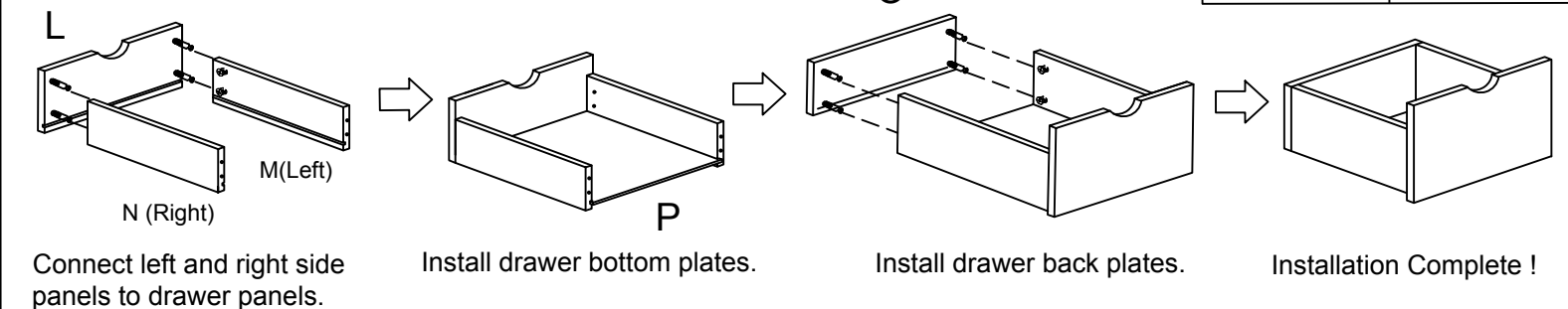
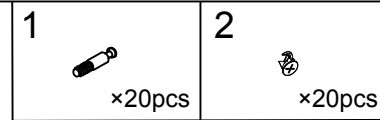
NOTE

- Please check that you have all the parts and hardware listed before assembling.
- Please do not tighten all bolts until the table is assembled completely.
- If you find that something is missing, please contact the store you purchase immediately.
- At least every 4 months, check all bolts, screws and knobs to be sure they are tight.

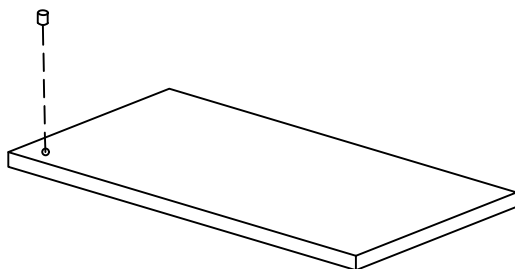
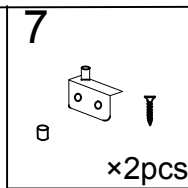
Screws Installation Steps



Step:1 (Installing drawer)



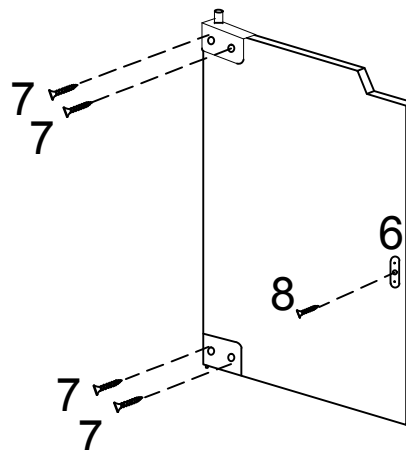
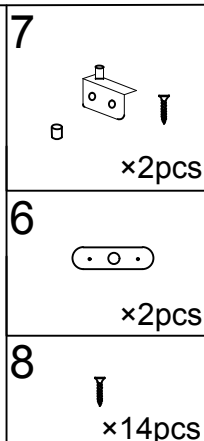
Step:2



D\F\H\I


In the larger hole of the four plates D, F, H, and I, plastic rings are plugged.
Observe that the holes are located at distinct positions.

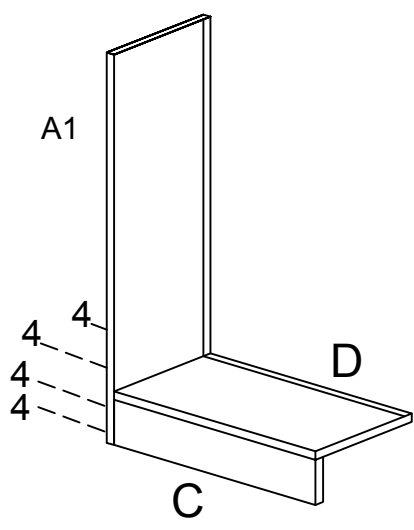
Step:3



Start installing fittings 7 and 6 on the door


Step:4

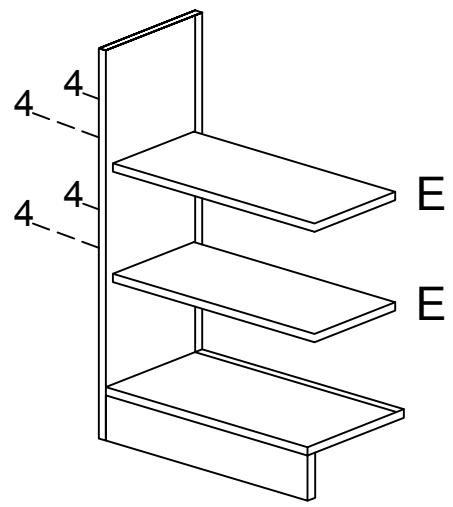
4  x36pcs



Install panel A1 , C and D through fitting 4 .


Step:5

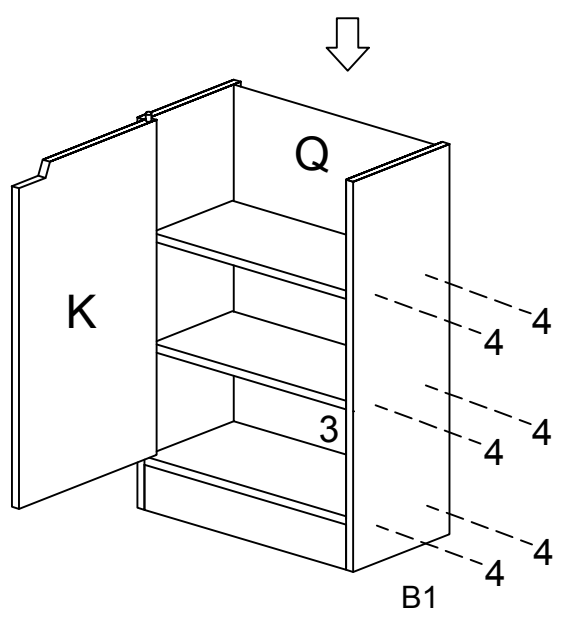
4  x36pcs



Install panel E through fitting 4 .


Step:6

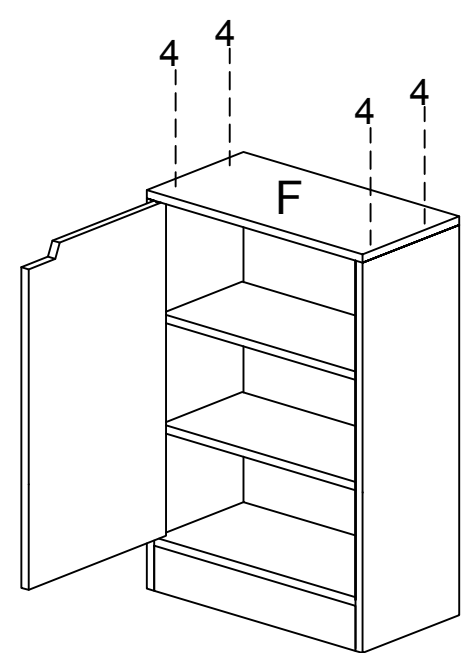
4  x36pcs



Install panel B1 ,K and Q .

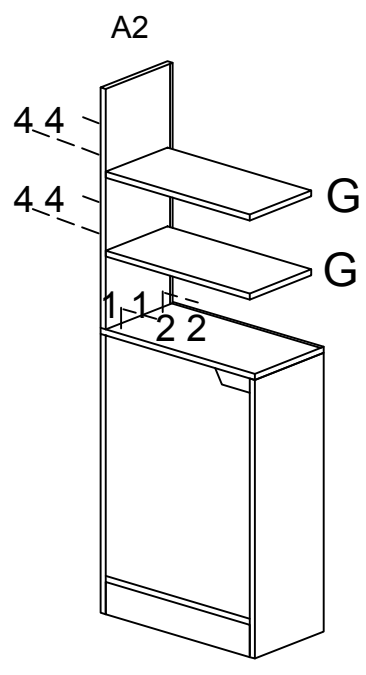
Step:7

4  x36pcs






Install panel F through fitting 4 .

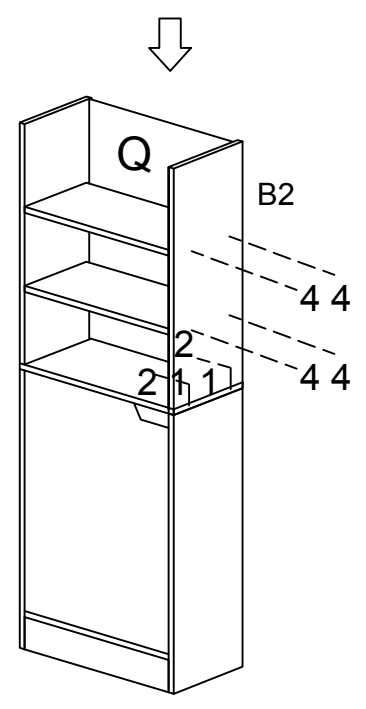
Step:8






Install panel A2 and G .

- 1  ×20pcs
- 2  ×20pcs
- 4  ×36pcs

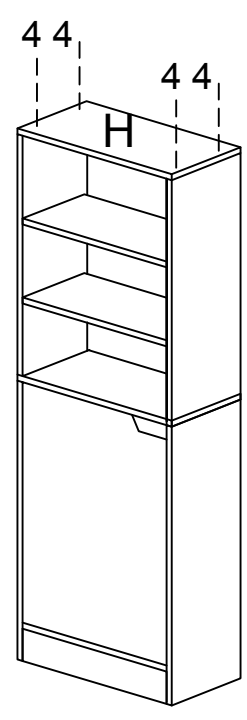
Step:9




Install panel B2 and Q .

- 1  ×20pcs
- 2  ×20pcs
- 4  ×36pcs

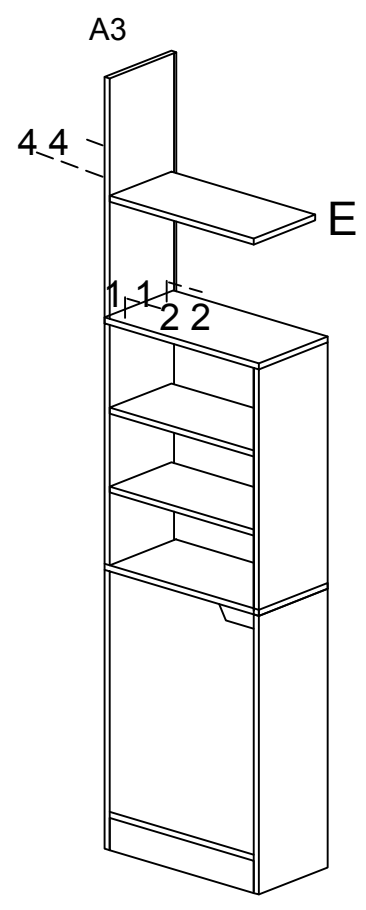
Step:10






Install panel H through fitting 4 .

- 4  ×36pcs

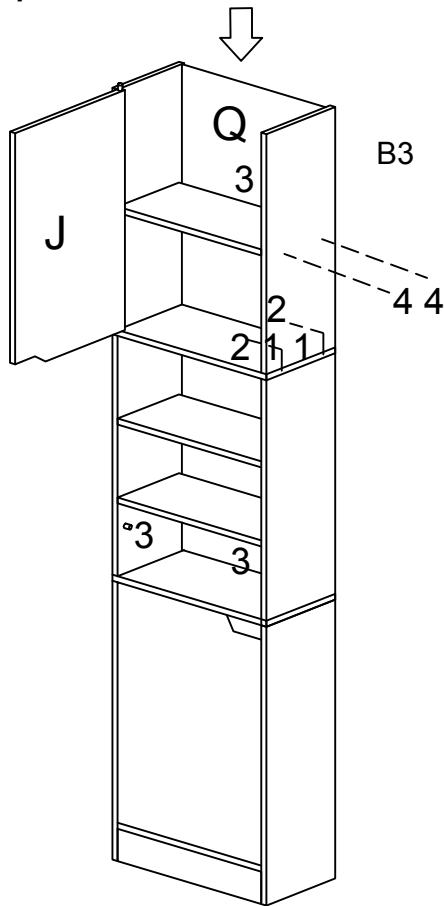
Step:11






Install panel A3 and E .

- 1  ×20pcs
- 2  ×20pcs
- 4  ×36pcs

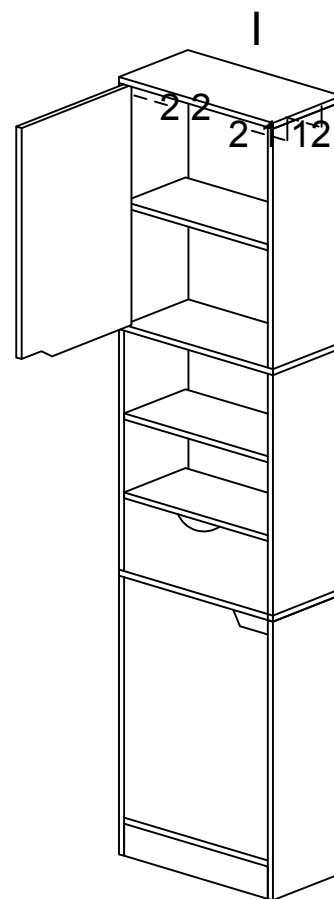
Step:12





Install panel B3 ,J and Q .

- 1  ×20pcs
- 2  ×20pcs
- 4  ×36pcs

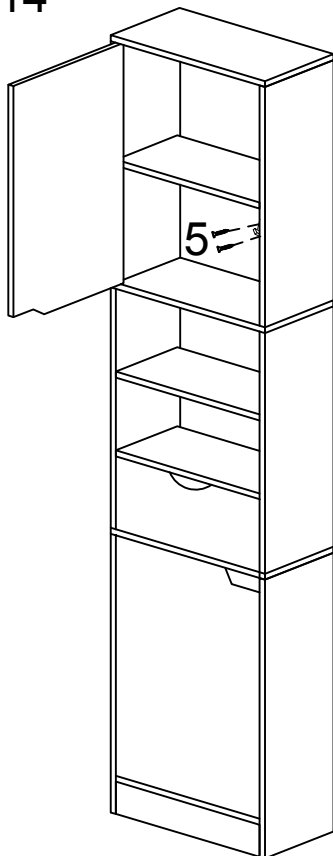
Step:13





Install panel H through fitting 1 and 2 .

- 1  ×20pcs
- 2  ×20pcs

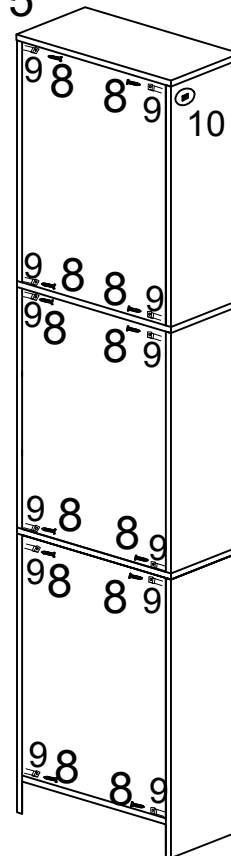
Step:14







Put part 5 on one side, top and bottom

- 5   ×2pcs

Step:15



Insert No. 8 and No. 9 accessories into the gap to fix, and attach No. 10 accessories to the side of the cabinet and the wall to tighten and fix with cable ties

- 9  ×12pcs
- 8  ×14pcs
- 10  ×2pc
-  ×1pc