

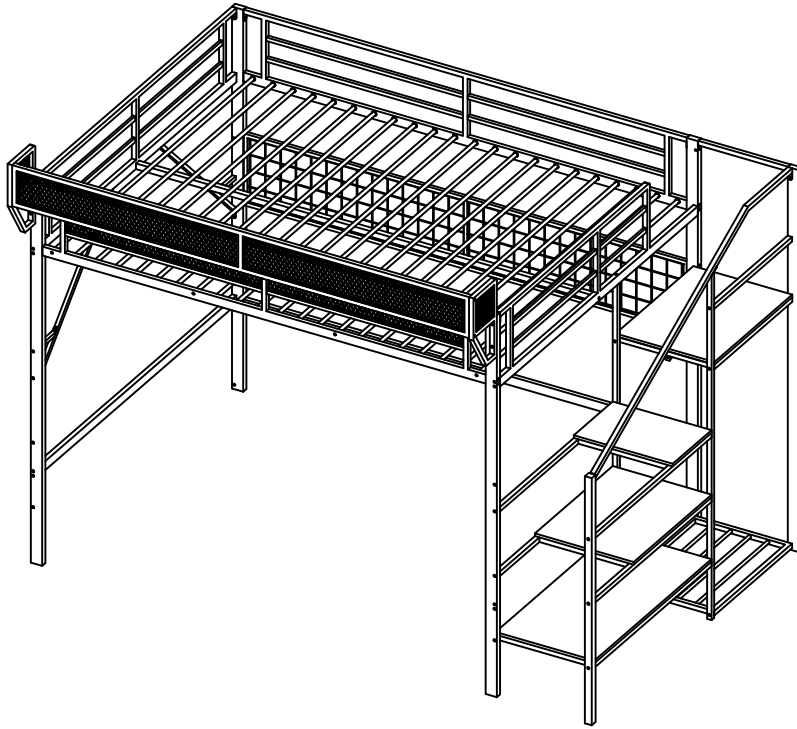
Assembly instruction

Queen Loft Bed

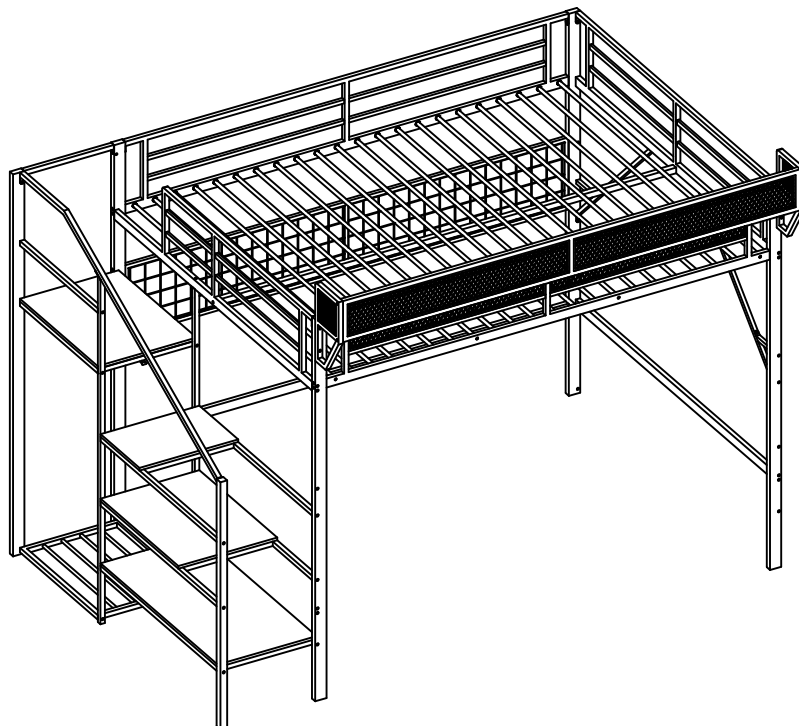
KX806067AB1

KX806067AB2

A



B





WARNING

Keep these instructions for future reference

To help prevent serious or fatal injuries from entrapment or falls:

Follow the information on the warnings appearing on the upper bunk end structure and on the carton. Do not remove warning label from bed.

Use only mattress which is 79"-80"long and 59"-60"wide on upper bunk.

Always use the recommended size mattresses or mattress supports, or both, to help prevent the likelihood of entrapment or falls.

Surface of mattress must be at least 5 in. (127 mm) below the upper edge of guardrails.

Ensure upper bunk thickness of mattress does not exceed 6", mattress is at least 5"below upper edge of guardrails.

Do not allow children under 6 years of age to use the upper bunk.

Periodically check and ensure that the guardrail, ladder, and other components are in their proper position, free from damage, and that all connectors are tight.

Do not allow horseplay on or under the bed and prohibit jumping on the bed.

Always use the ladder for entering and leaving the upper bunk.

Keep these instructions for future reference.

Do not use substitute parts. Contact the manufacturer or dealer for replacement parts.

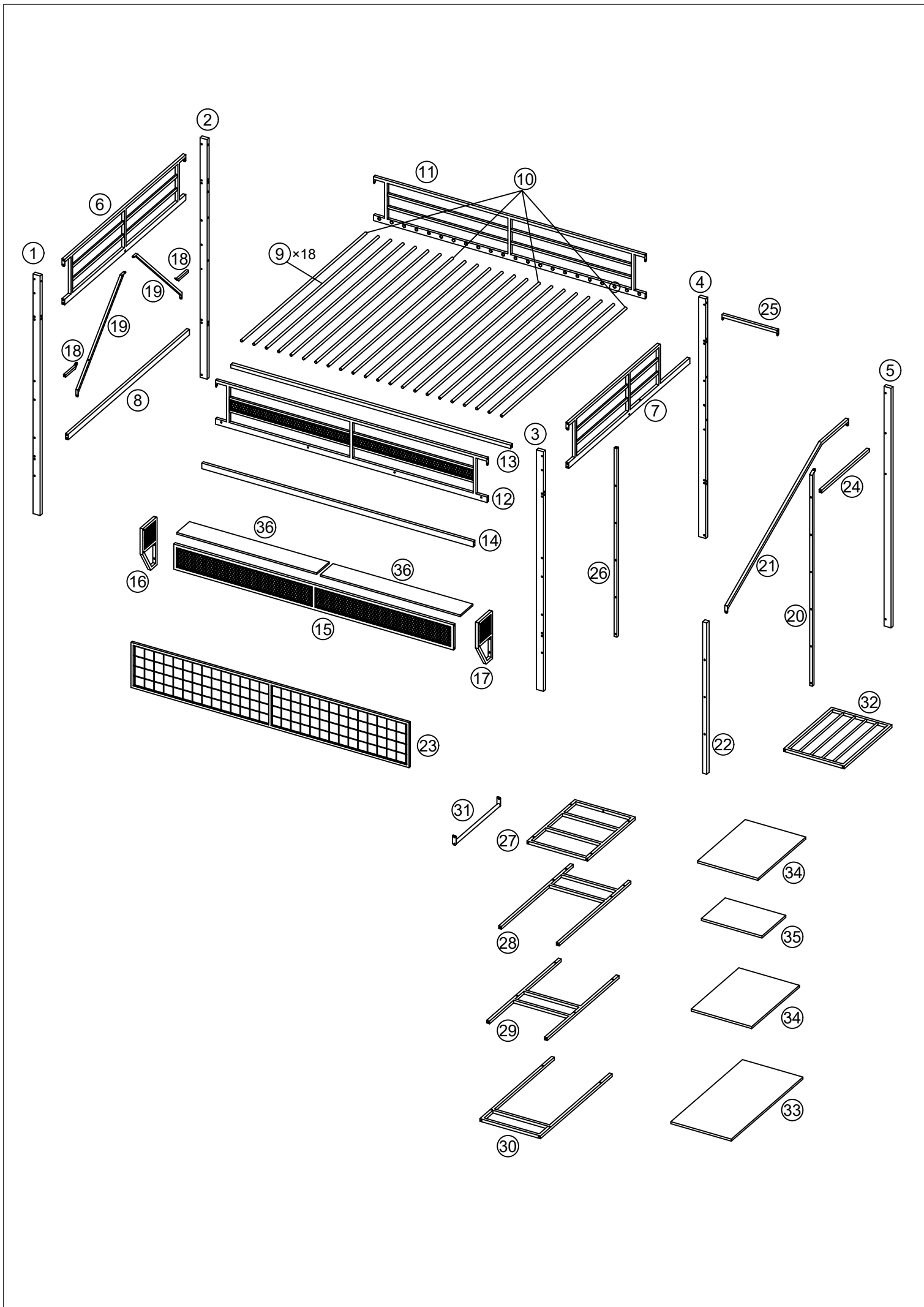
Use of a night light may provide added safety precaution for a child using the upper bunk.

Always use guardrails on both long sides of the upper bunk. If the bunk bed will be placed next to the wall, the guardrail that runs the full length of the bed should be placed against the wall to prevent entrapment between the bed and wall.

The use of water or sleep flotation mattresses is prohibited.

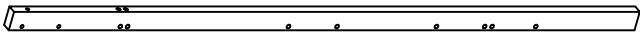
Replacement Parts-Replacement parts,including additional guardrails,may be obtained from any of Shenzhen Weierdeng Technology Co., LTD.

STRANGULATION HAZARD - Never attach or hang items to any part of the bunk bed that are not designed for use with the bed; for example, but not limited to, hooks, belts and jump ropes.

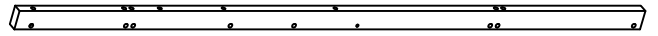


Parts List For KX806067AB1

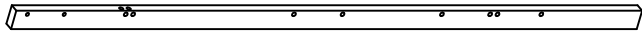
① x1



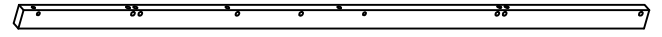
② x1



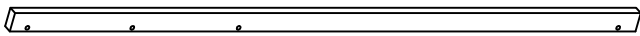
③ x1



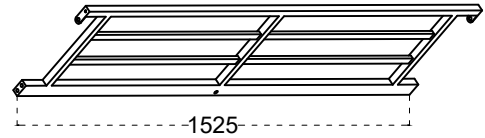
④ x1



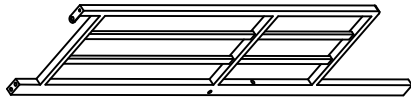
⑤ x1



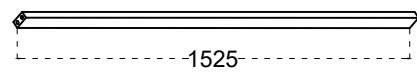
⑥ x1



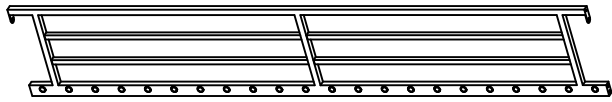
⑦ x1



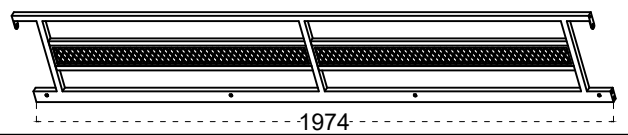
⑧ x1



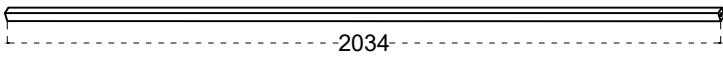
⑪ x1



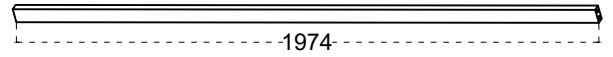
⑫ x1



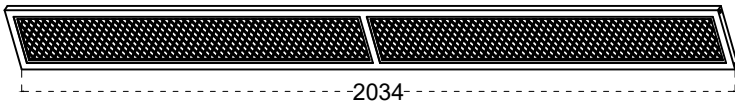
⑬ x1



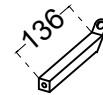
⑭ x1



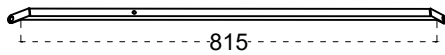
⑮ x1



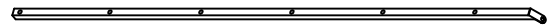
⑱ x2



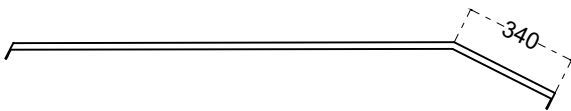
⑲ x2



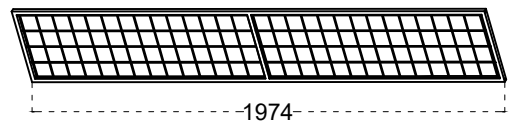
⑳ x1



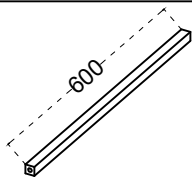
⑳ x1



㉓ x1



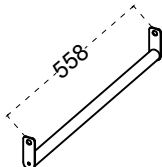
㉔ x1



㉖ x1

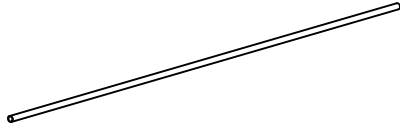


㉓ x1

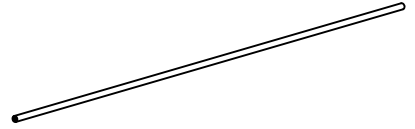


Parts List For KX806067AB2

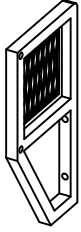
⑨ x18



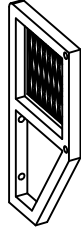
⑩ x4



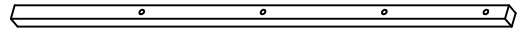
⑯ x1



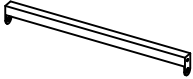
⑰ x1



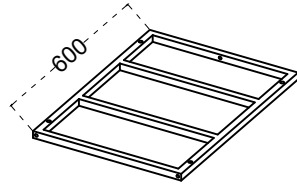
⑳ x1



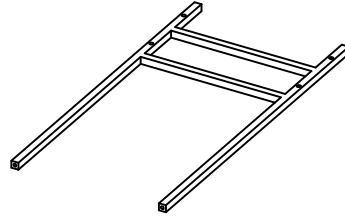
㉕ x1



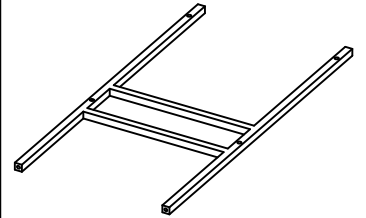
㉗ x1



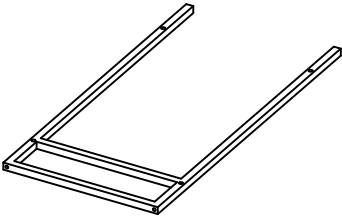
㉘ x1



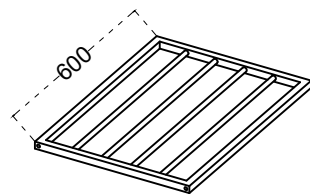
㉙ x1



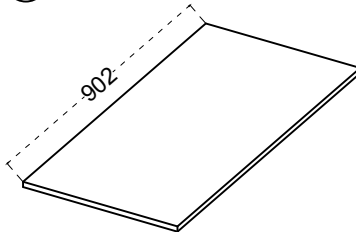
㉓ x1



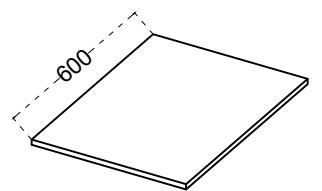
㉔ x1



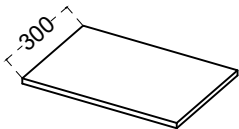
㉚ x1



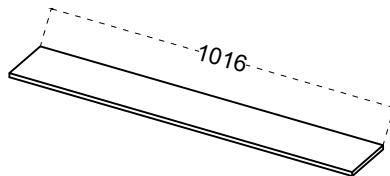
㉛ x2



㉝ x1



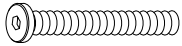
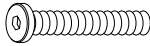
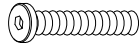
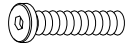
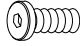
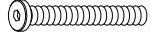





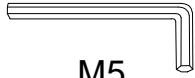


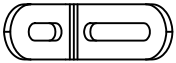
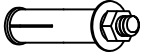


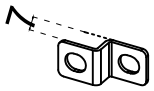
㉞ x2



㉟ x1

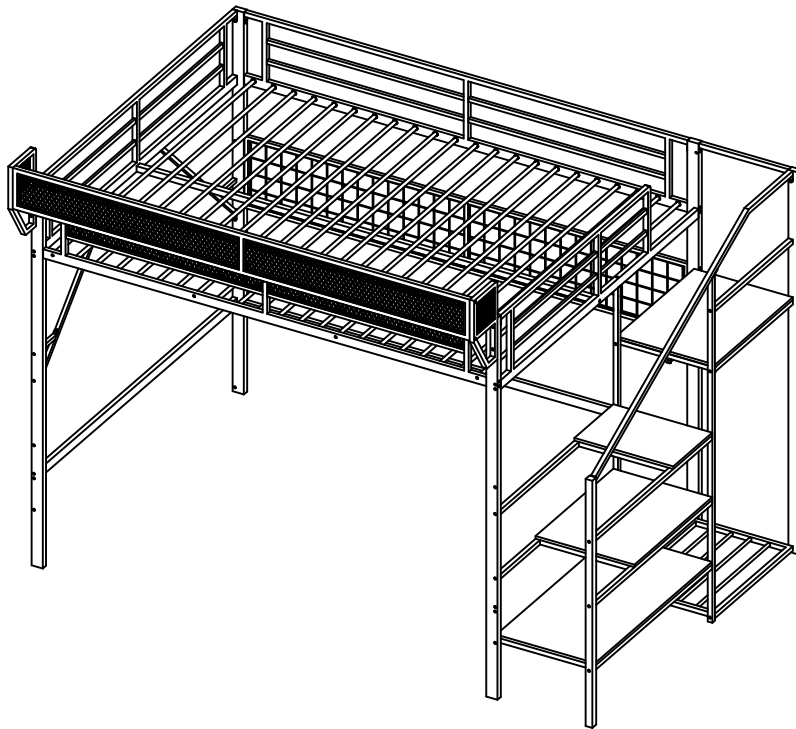


Hardware List For KX806067AB2

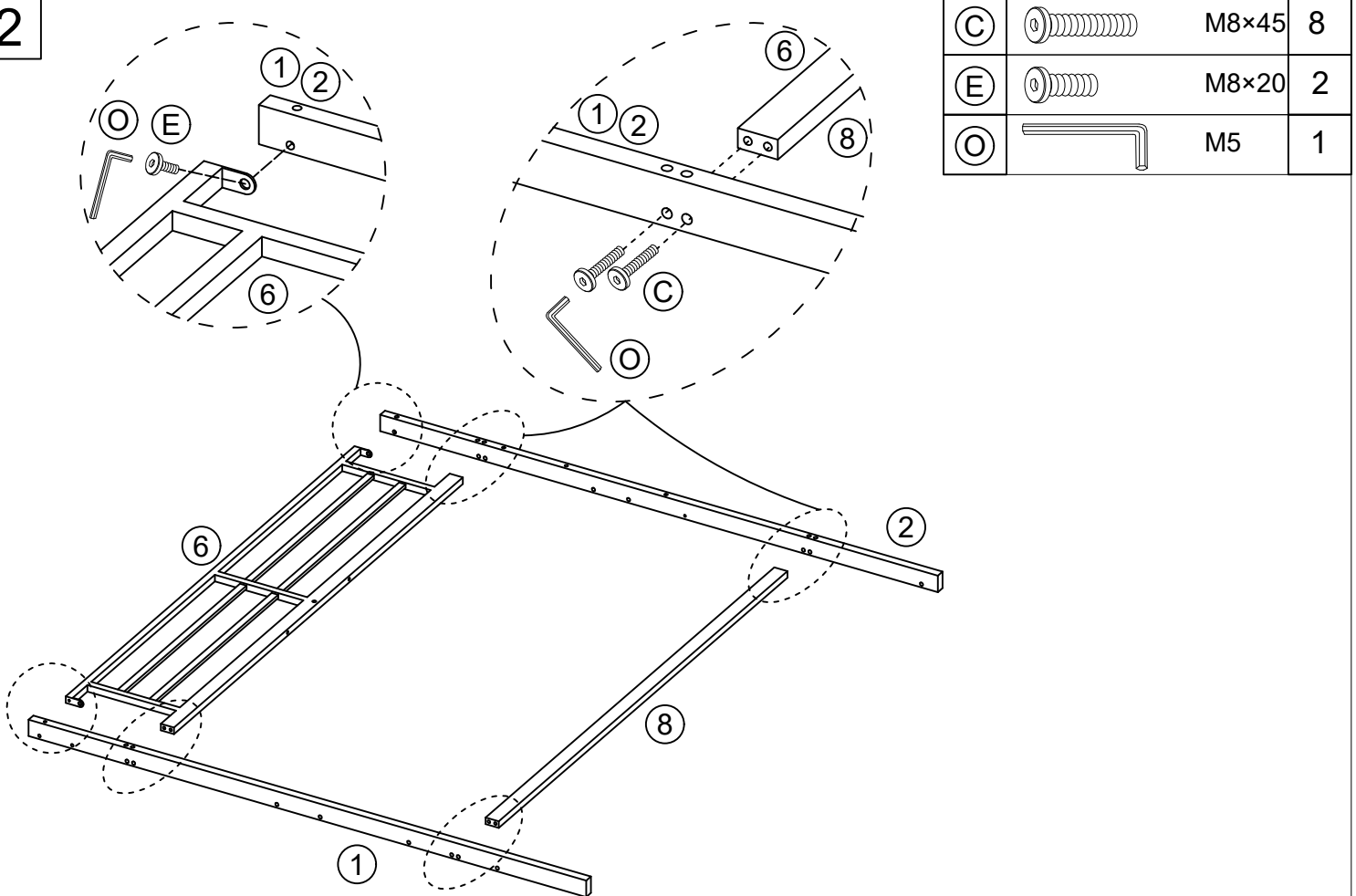
<p>(A) x12</p>  <p>M8×70mm</p>	<p>(B) x1</p>  <p>M8×55mm</p>	<p>(C) x22</p>  <p>M8×45mm</p>	<p>(D) x18</p>  <p>M8×35mm</p>
<p>(E) x21</p>  <p>M8×20mm</p>	<p>(F) x4</p>  <p>M6×70mm</p>	<p>(G) x6</p>  <p>M6×35mm</p>	<p>(K) x16</p>  <p>M6×28mm</p>
<p>(L) x9</p>  <p>M6×15mm</p>	<p>(M) x26</p>  <p>M6×12mm</p>	<p>(N) x1</p>  <p>M4</p>	<p>(O) x1</p>  <p>M5</p>
<p>(P) x1</p> 	<p>(Q) x22</p> 		
<p>(H) x2</p> 	<p>(I) x2</p> 	<p>(J) x1</p> 	<p>(L) x2</p>  <p>M6×15mm</p>
<p>(T) x12</p> 			

1

A:WHEN STAIRS INSTALL AT RIGHT SIDE

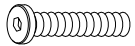




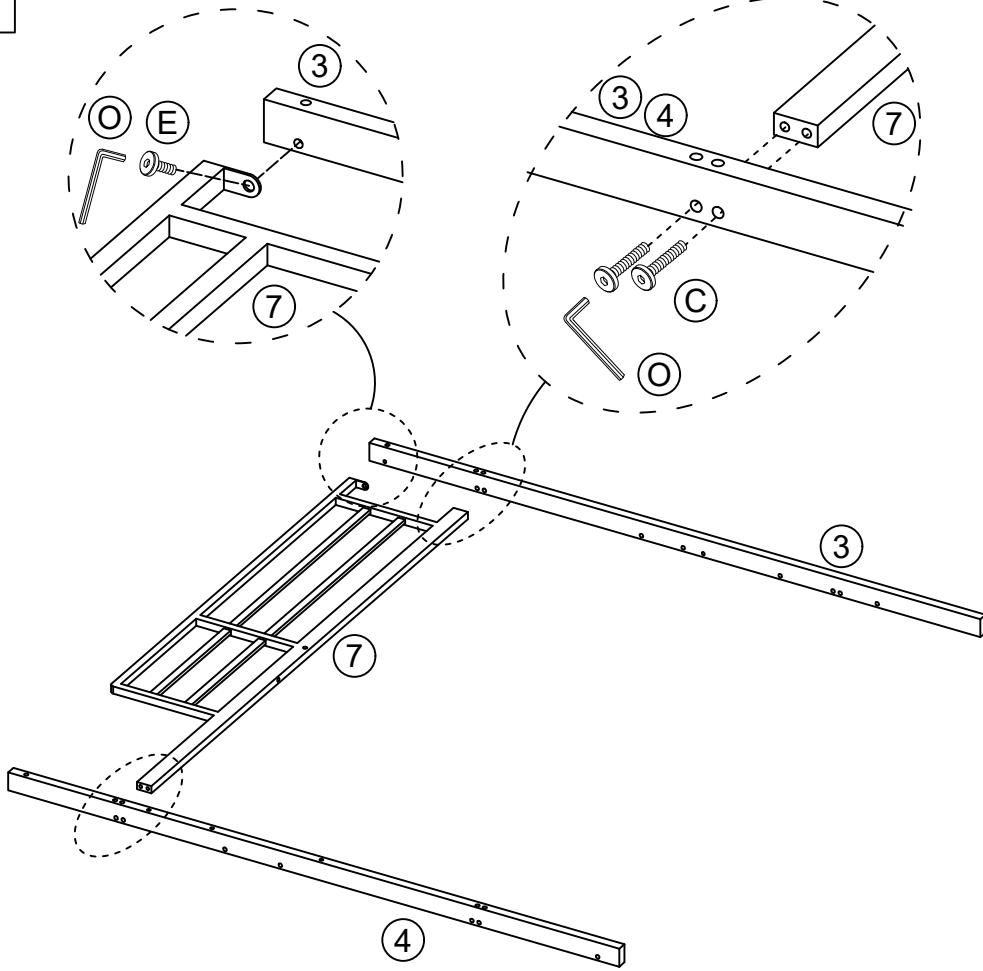
2





(C)		M8×45	8
(E)		M8×20	2
(O)		M5	1

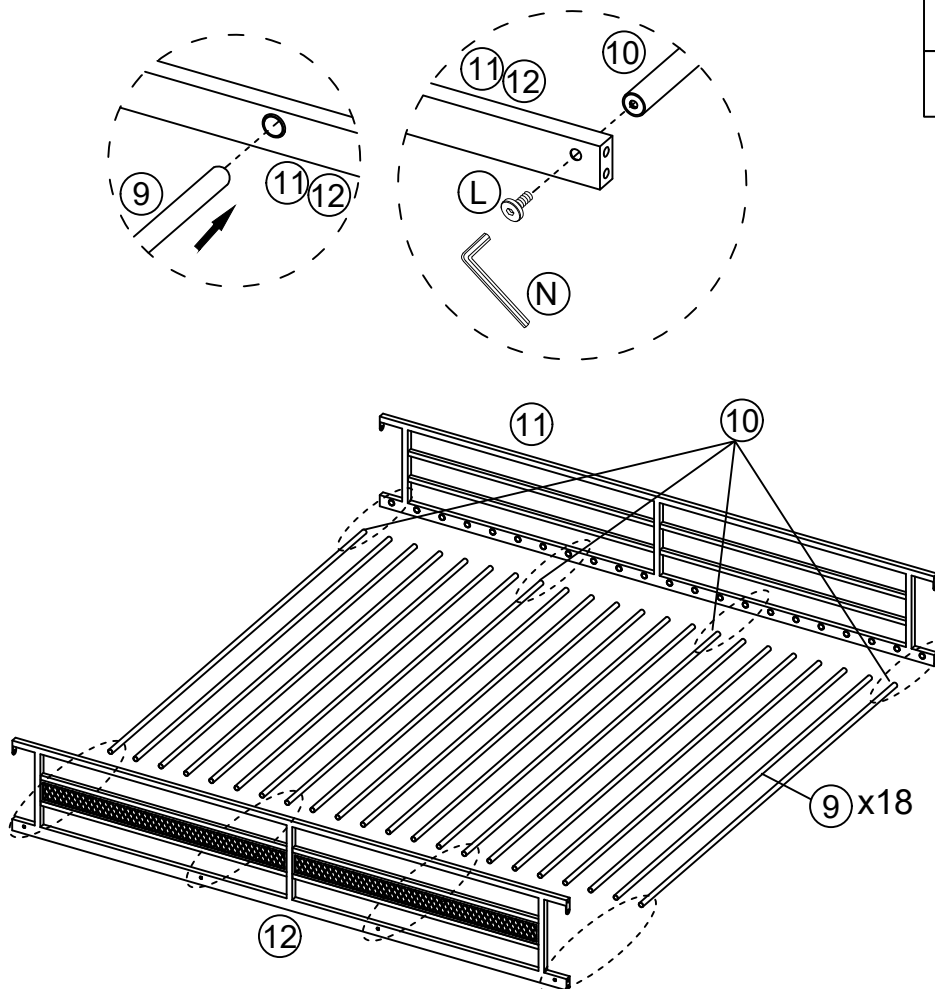
3

(C)		M8×45	4
(E)		M8×20	1
(O)		M5	1

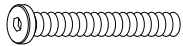




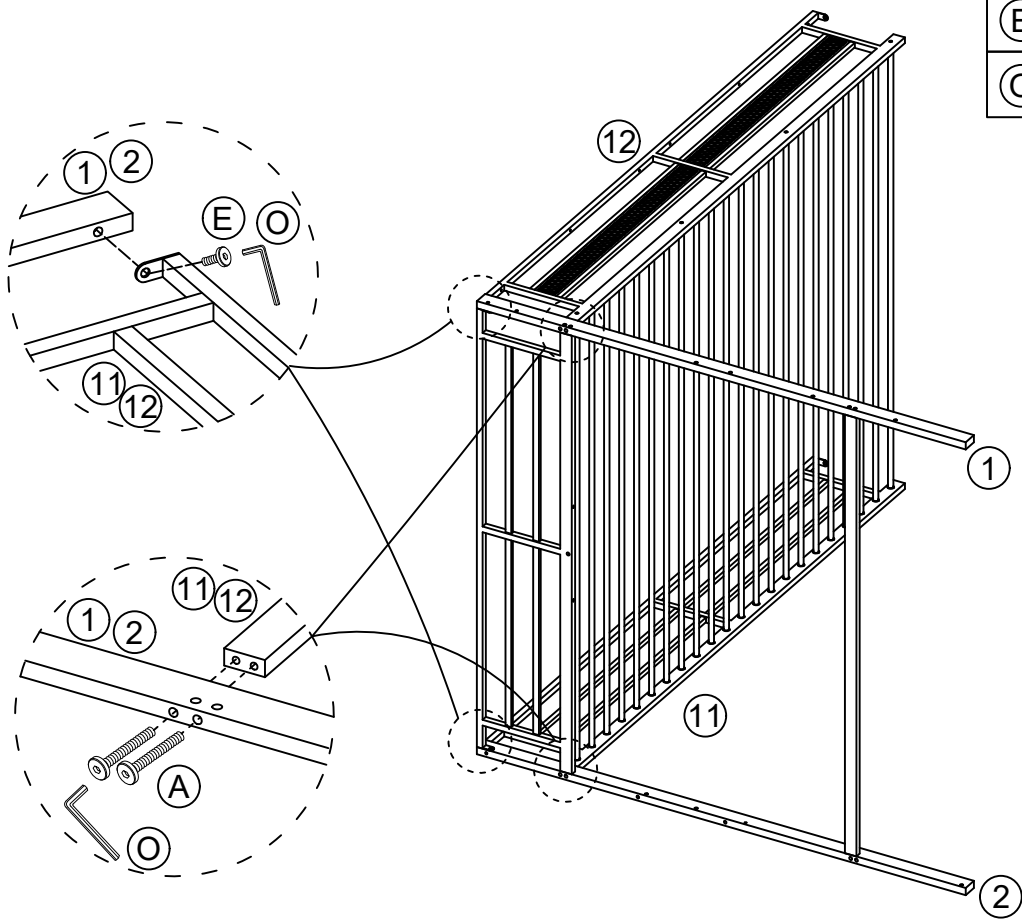
4

(L)		M6×15	8
(N)		M4	1

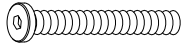
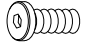



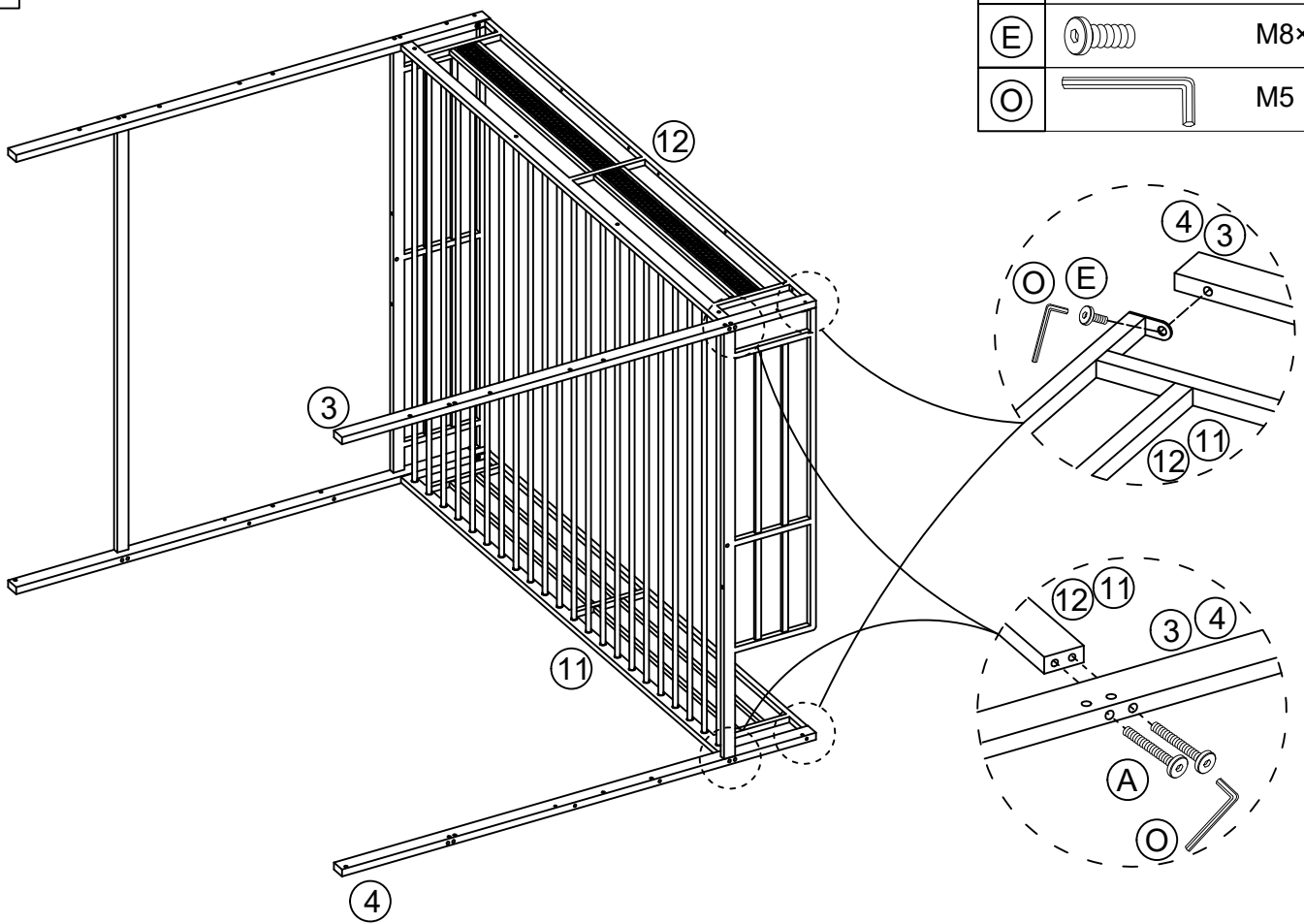
5

(A)		M8×70	4
(E)		M8×20	2
(O)		M5	1

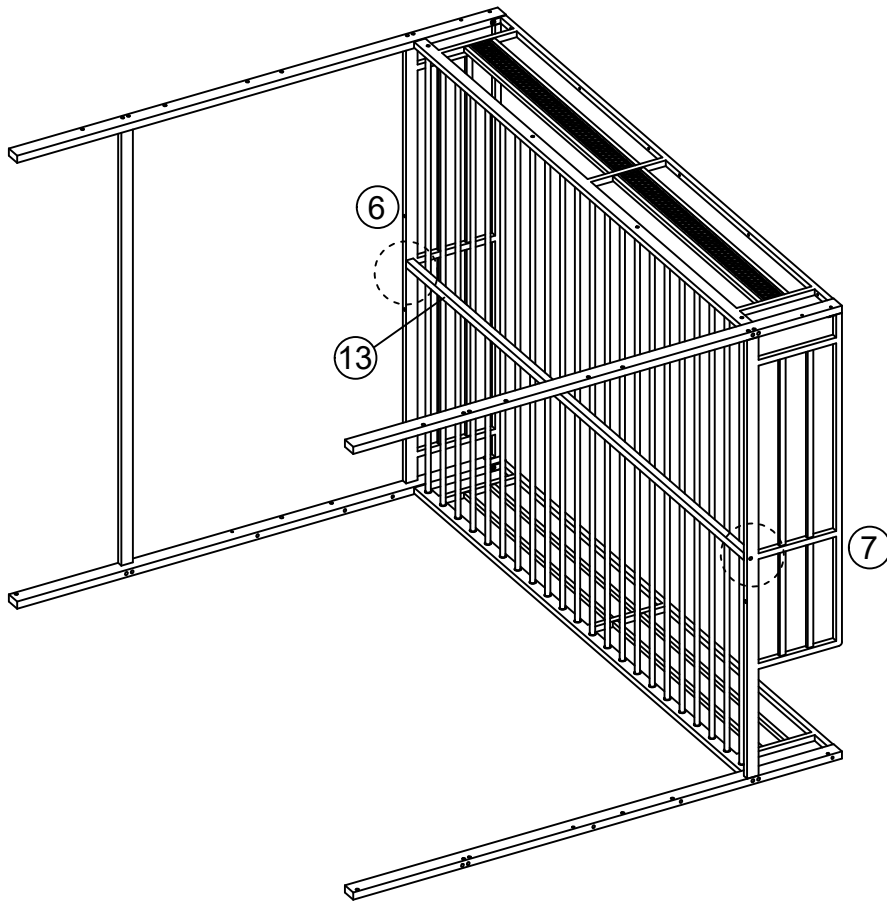


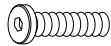

6

(A)		M8×70	4
(E)		M8×20	2
(O)		M5	1

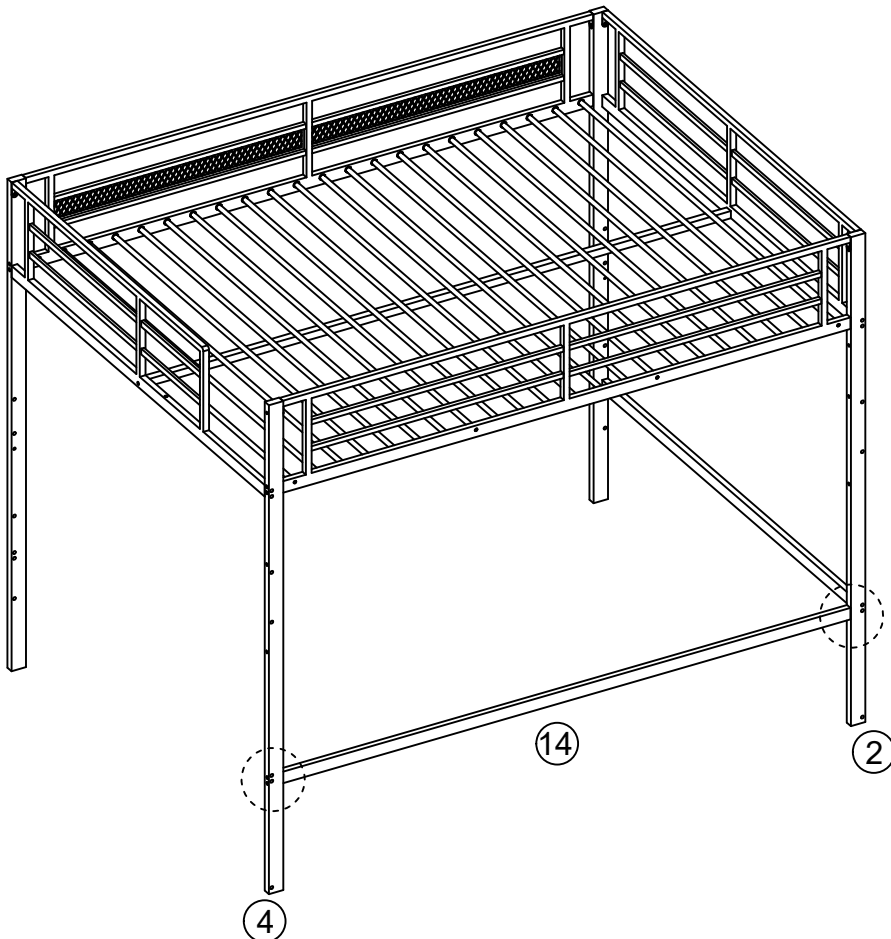


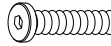

7



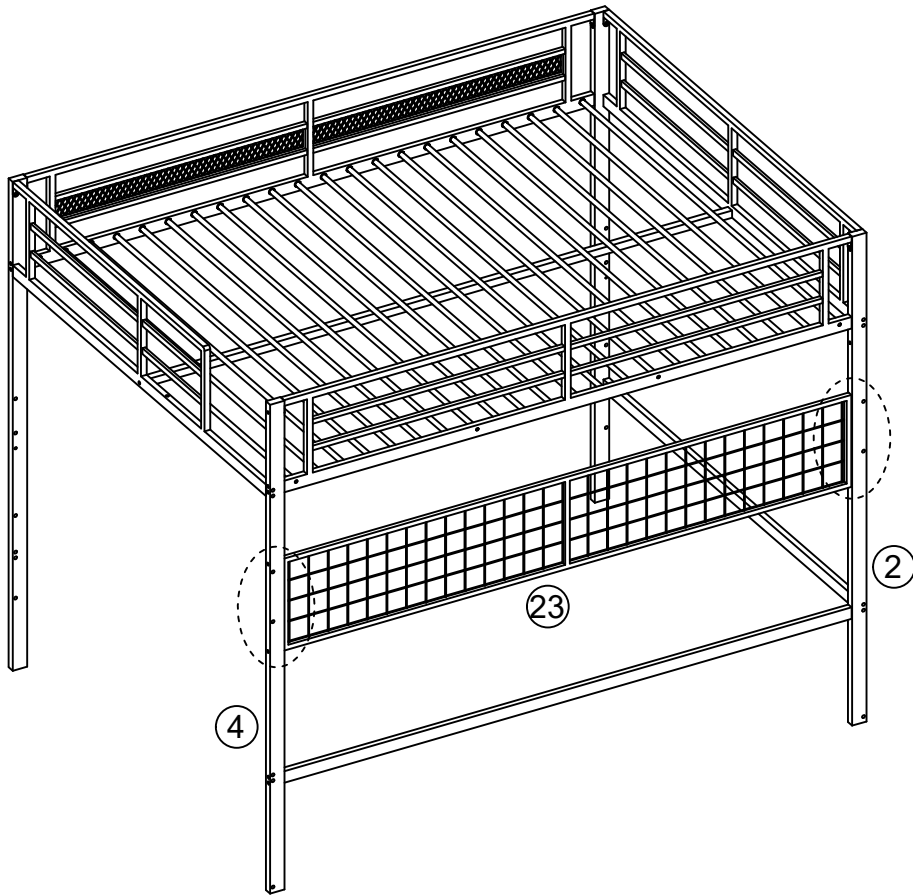
(D)		M8×35	2
(O)		M5	1

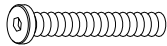

8

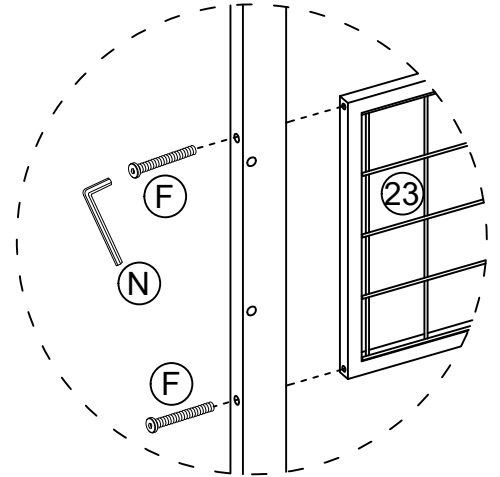


(A)		M8×70	4
(O)		M5	1

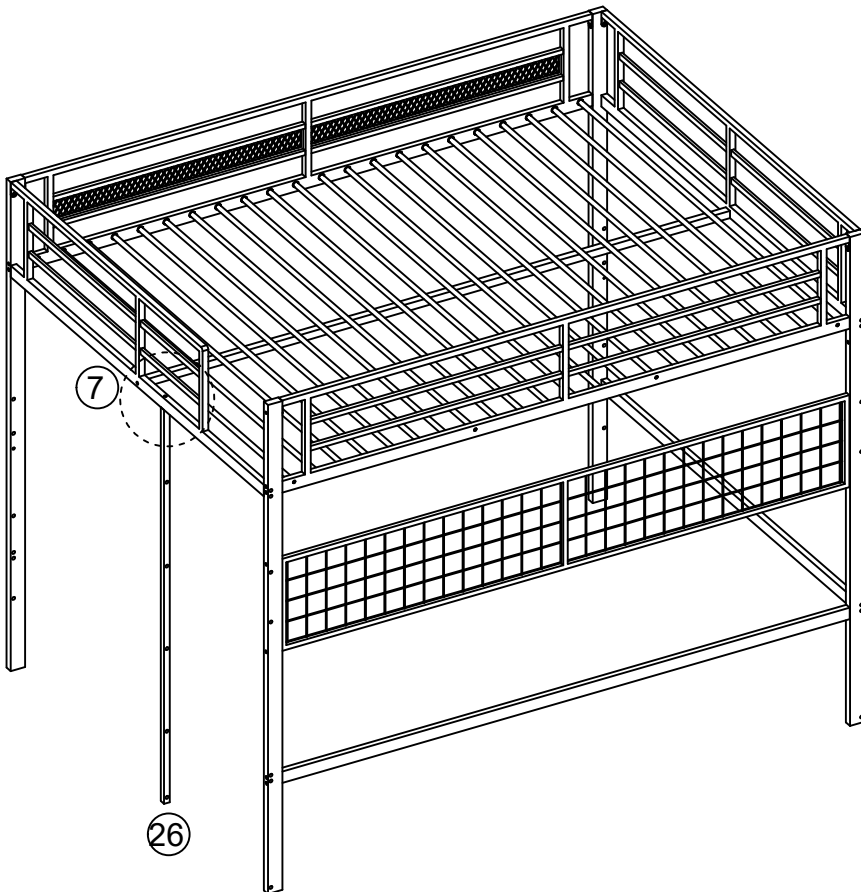
9

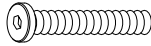



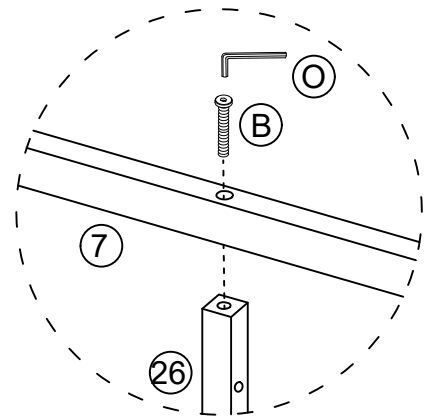
(F)		M6×70	4
(N)		M4	1





10

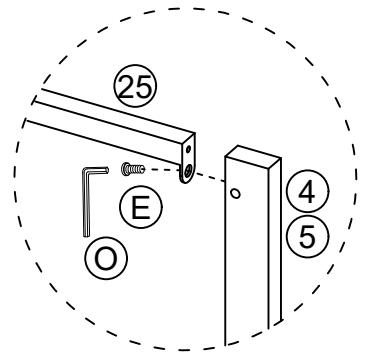
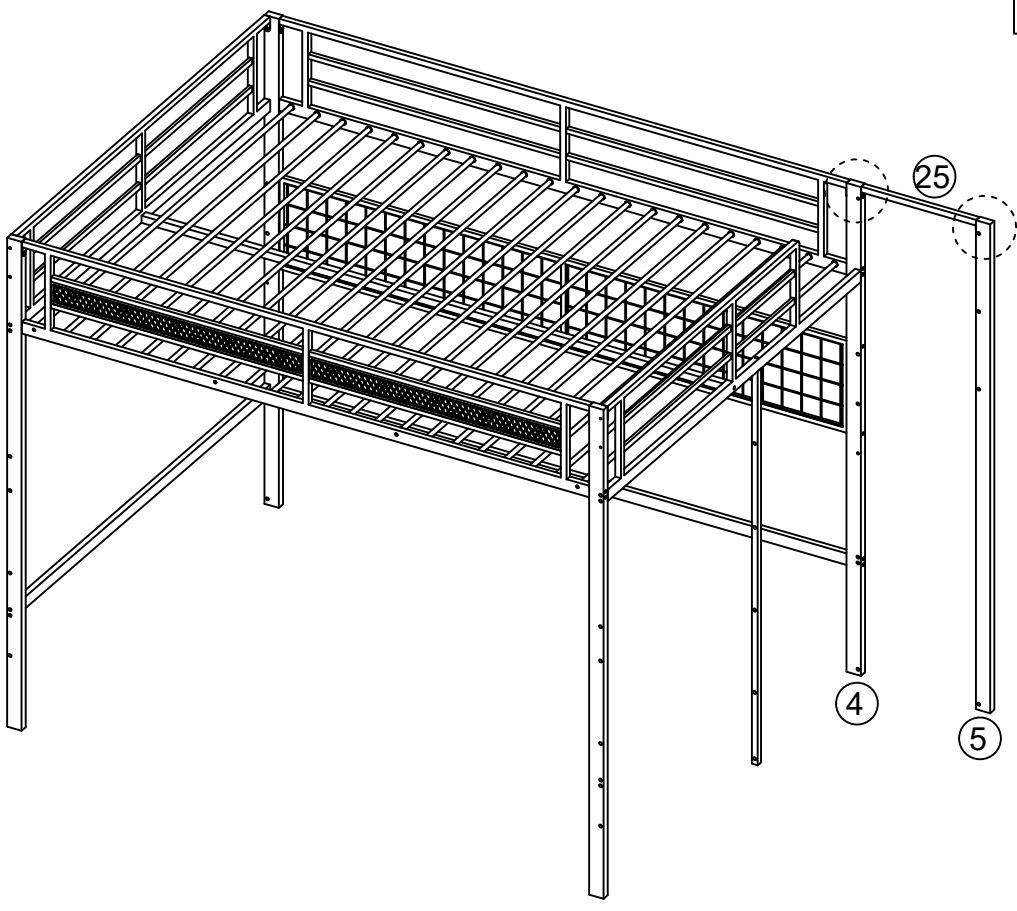


(B)		M8×55	1
(O)		M5	1

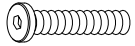



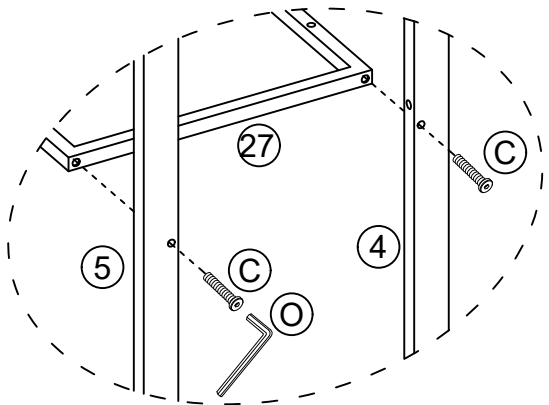
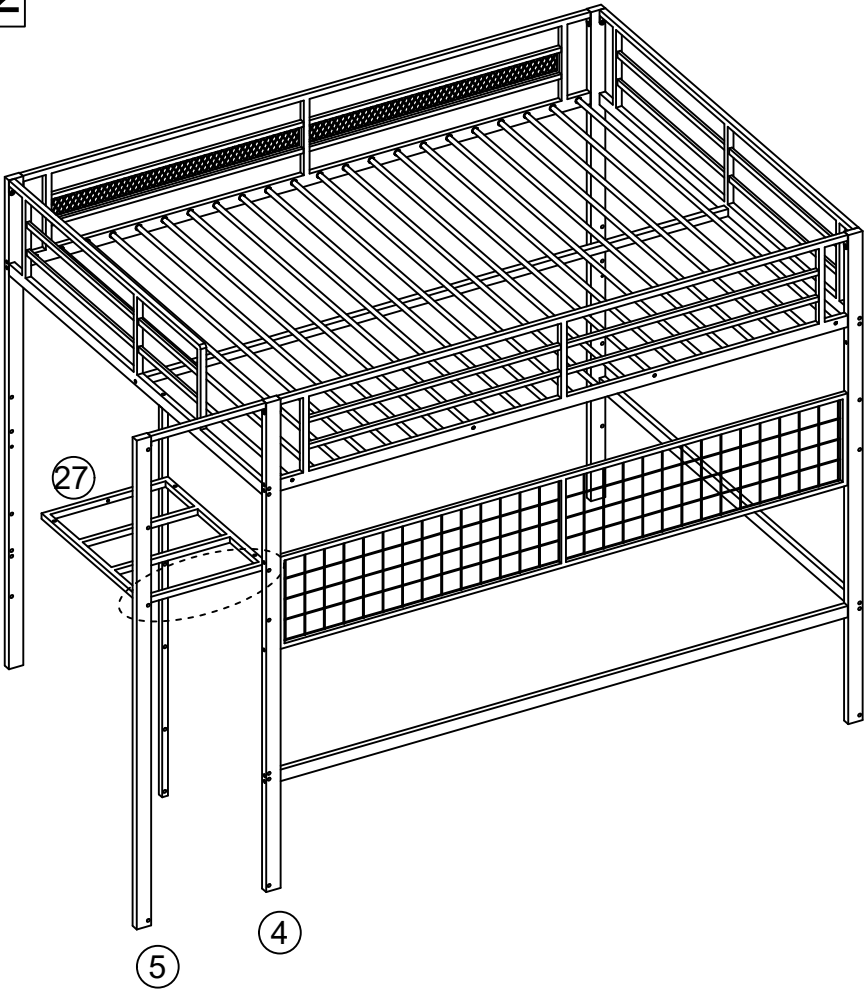
11

(E)		M8x20	2
(O)		M5	1

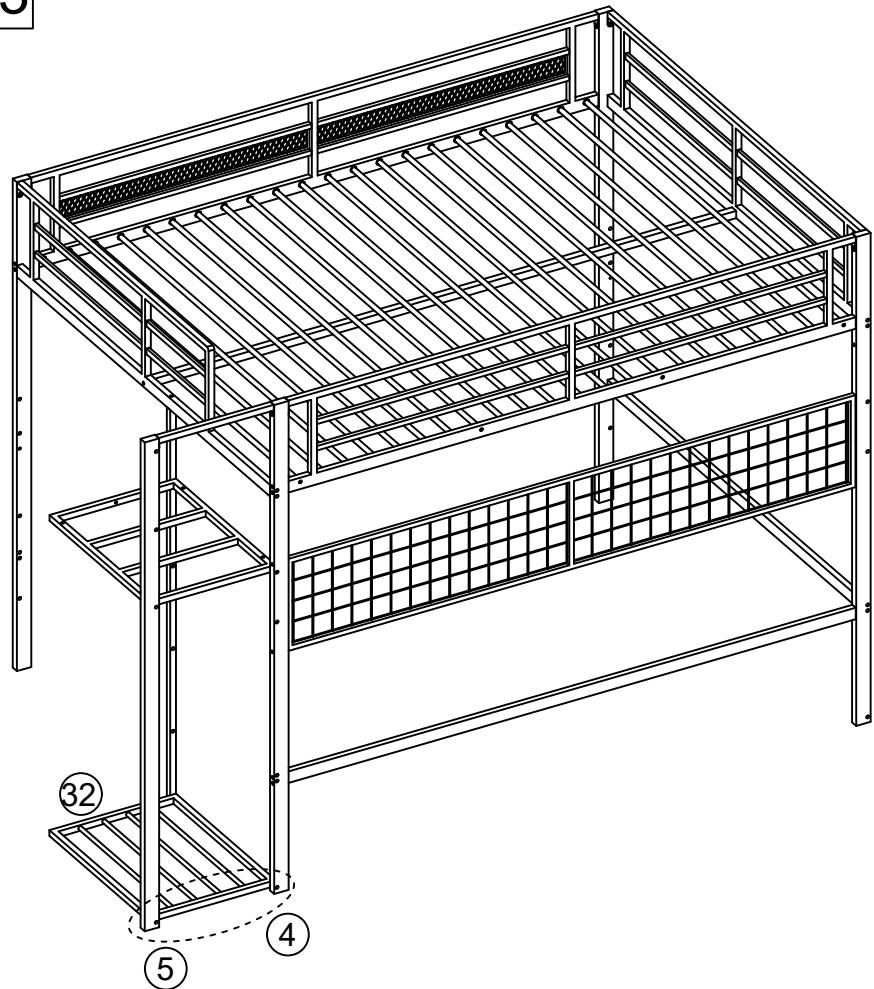


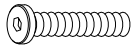

12

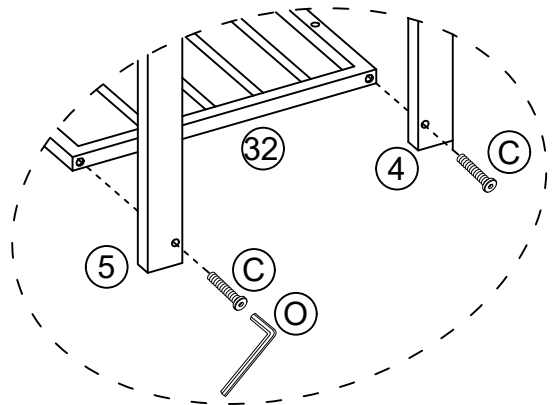
(C)		M8x45	2
(O)		M5	1



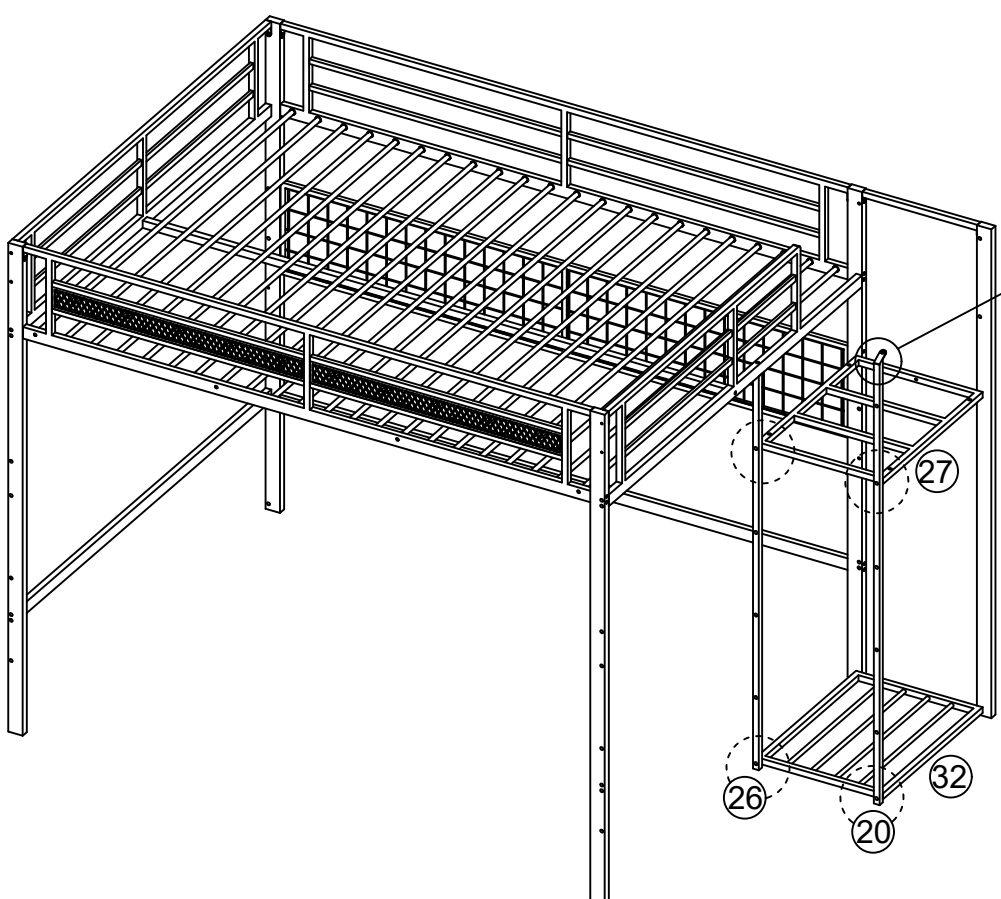
13

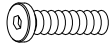



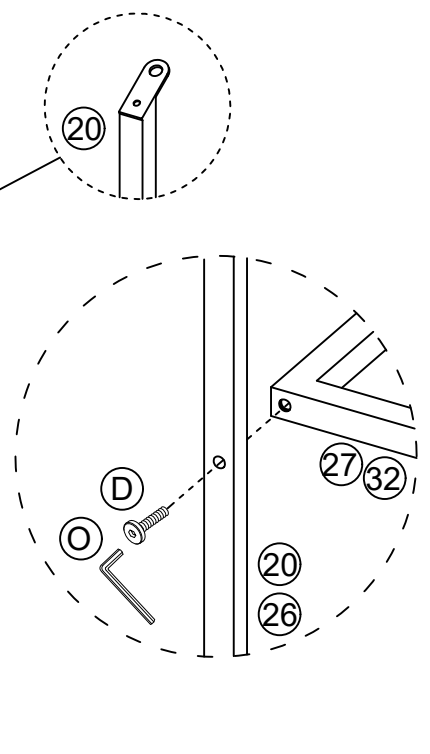
(C)		M8×45	2
(O)		M5	1





14

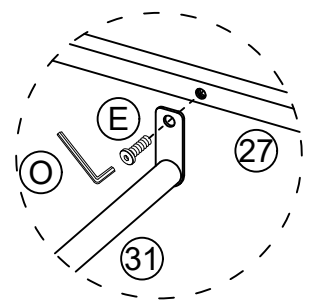
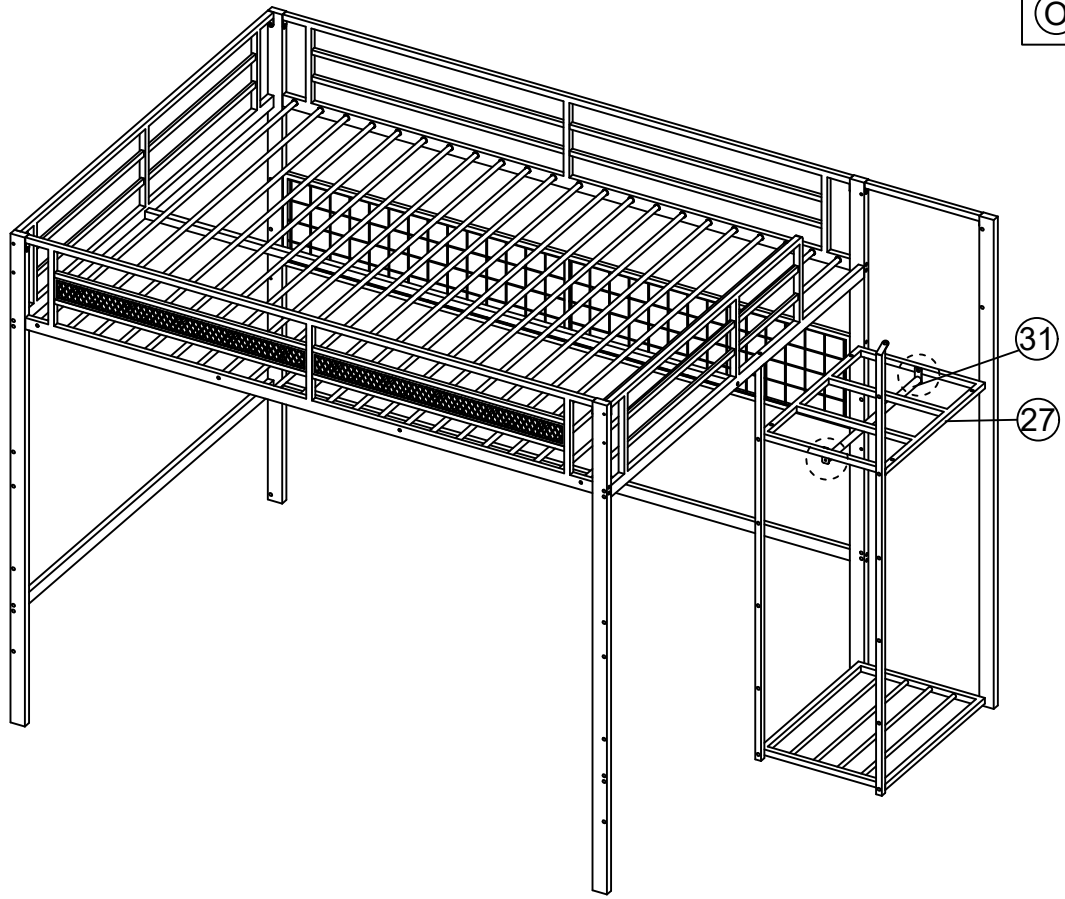


(D)		M8×35	4
(O)		M5	1

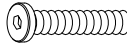
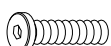



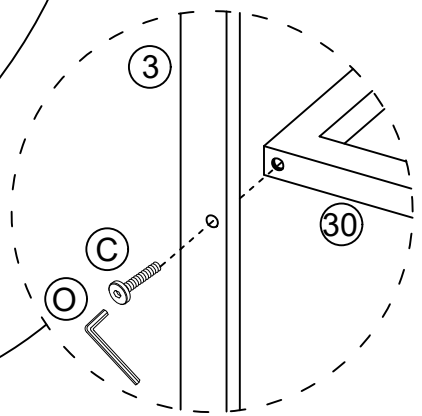
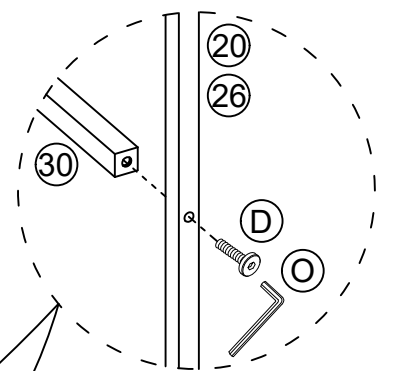
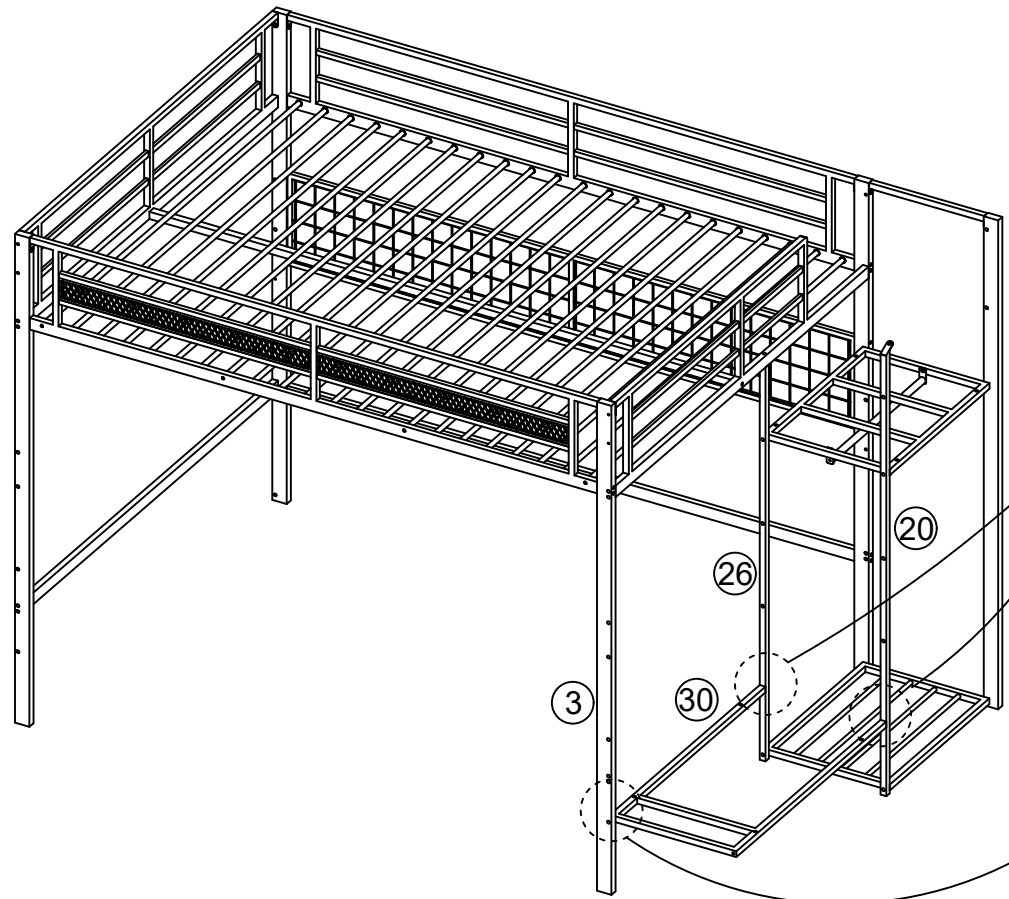
15

(E)		M8x20	2
(O)		M5	1

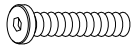
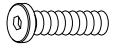



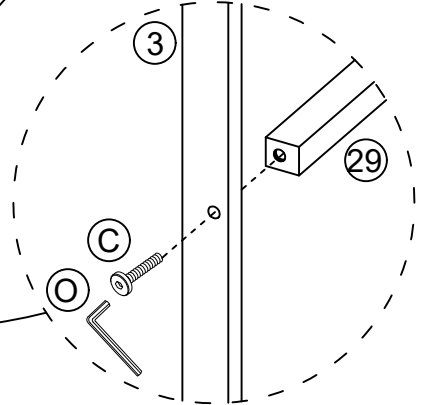
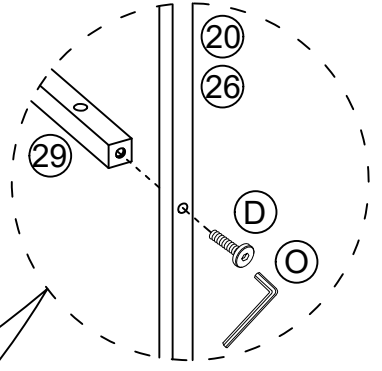
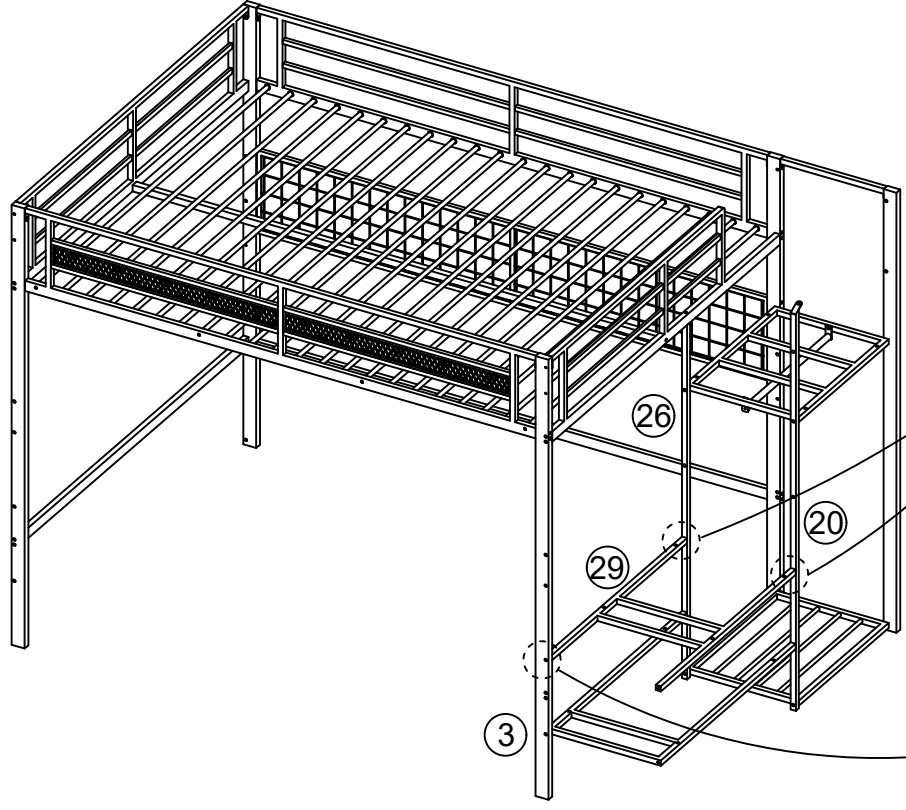
16

(C)		M8x45	1
(D)		M8x35	2
(O)		M5	1

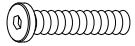
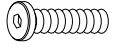
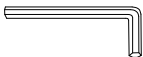


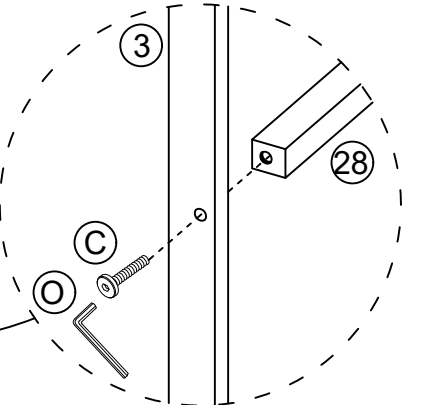
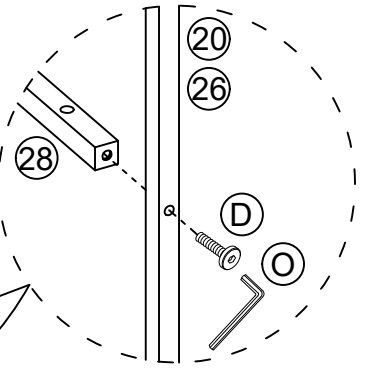
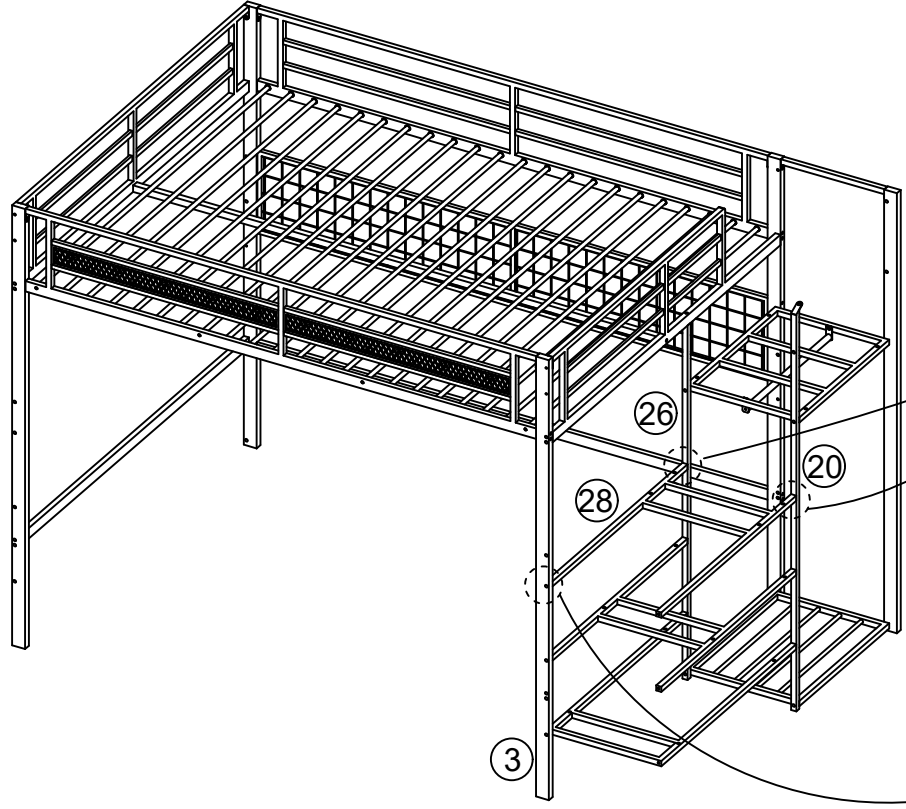
17

(C)		M8×45	1
(D)		M8×35	2
(O)		M5	1

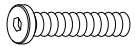



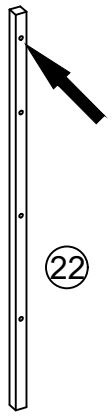
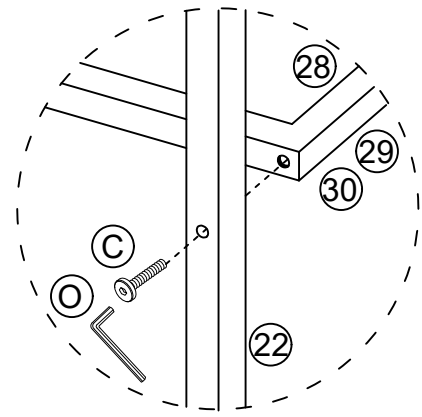
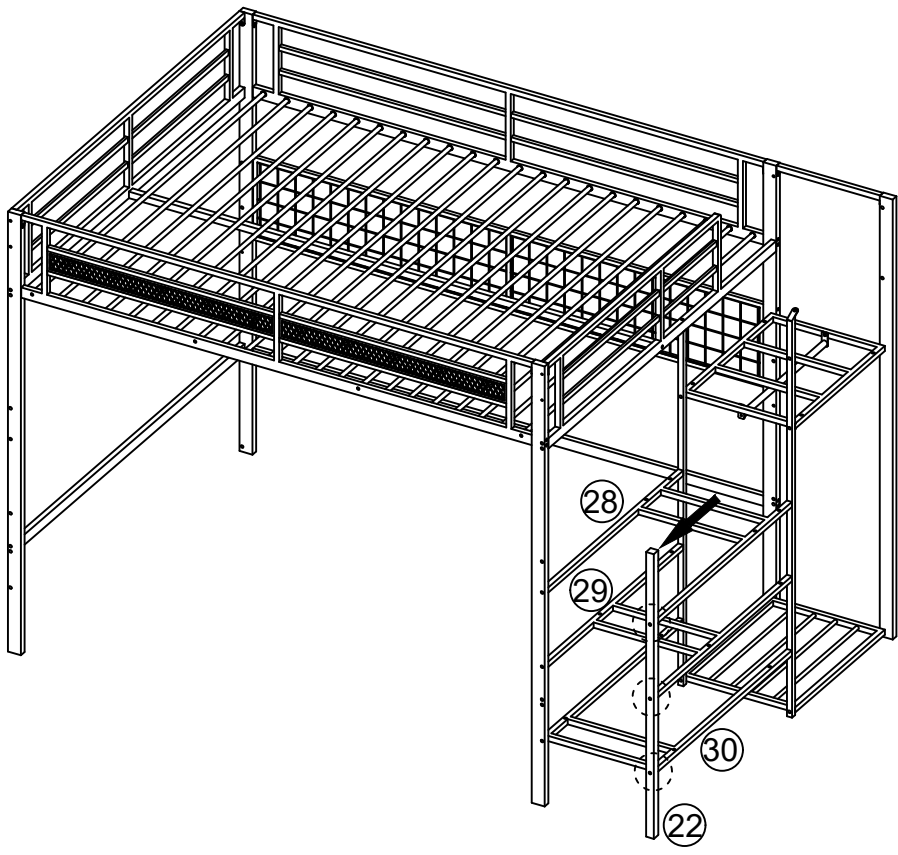
18

(C)		M8×45	1
(D)		M8×35	2
(O)		M5	1





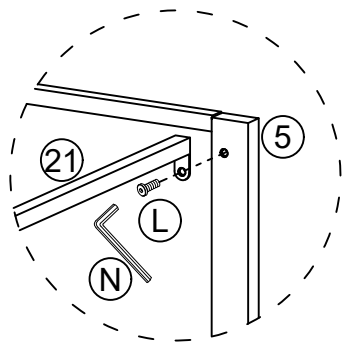
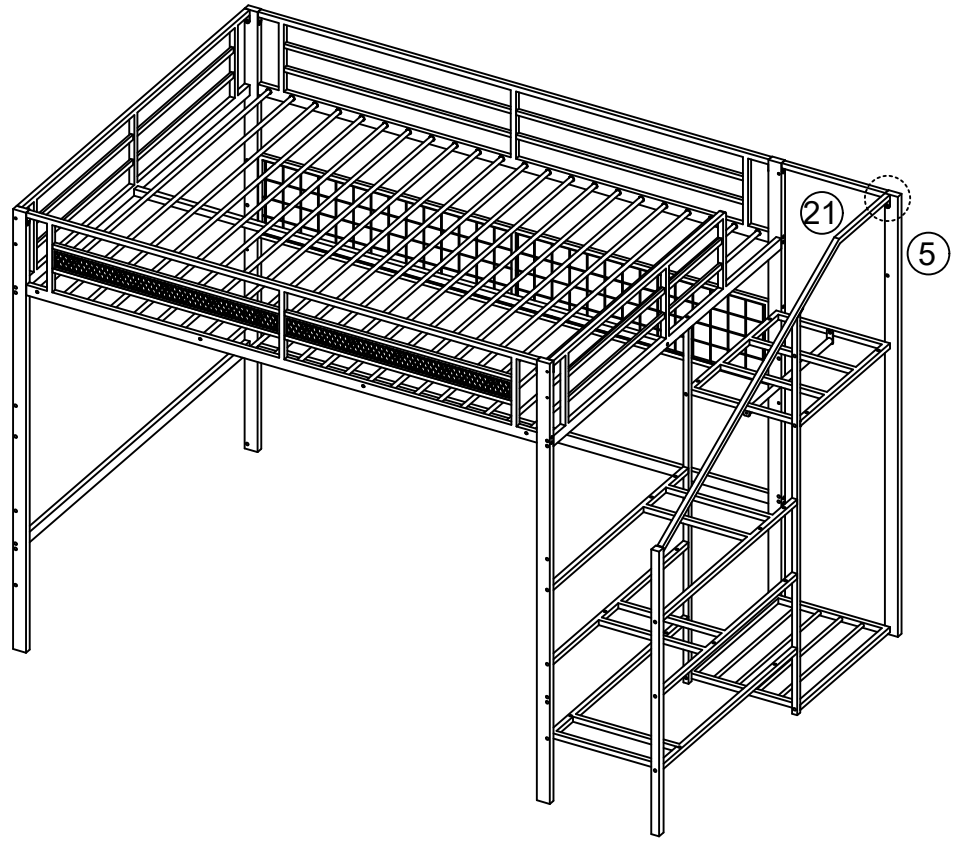
19

(C)		M8×45	3
(O)		M5	1





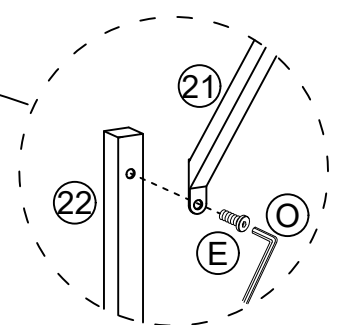
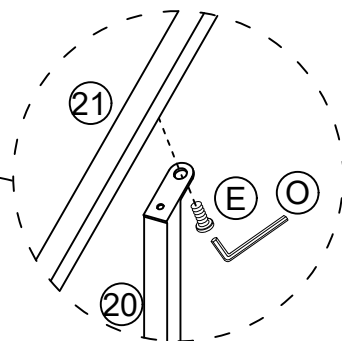
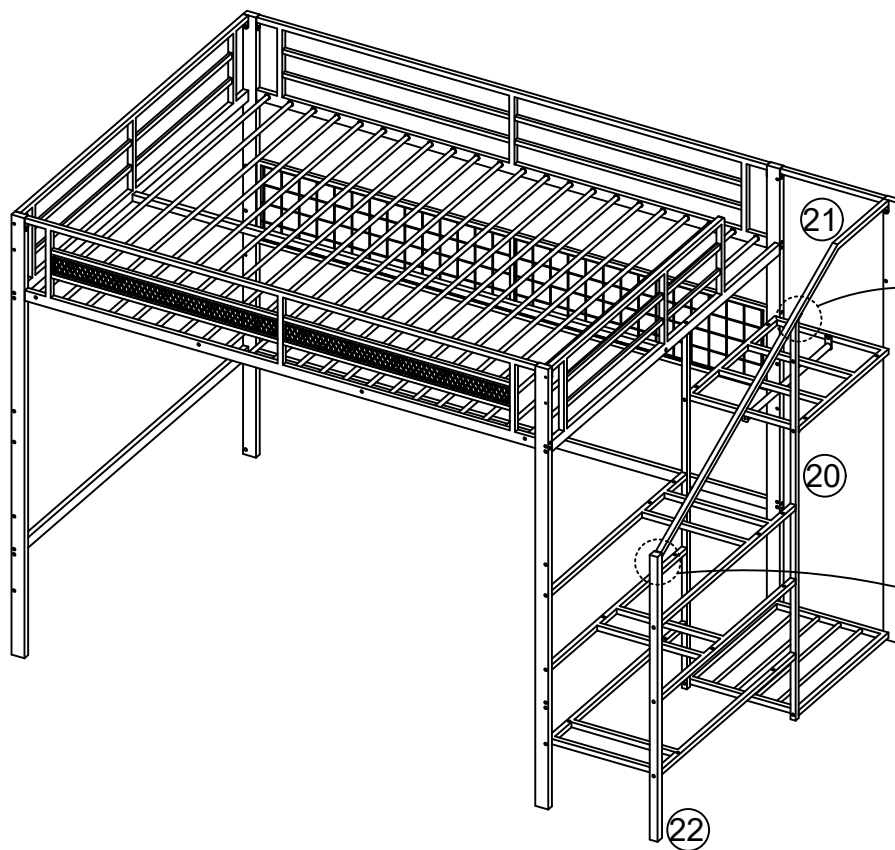
20

(L)		M6×15	1
(N)		M4	1





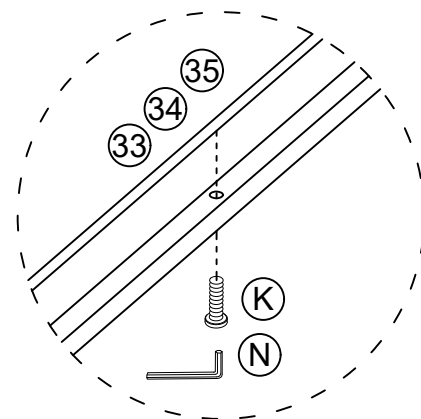
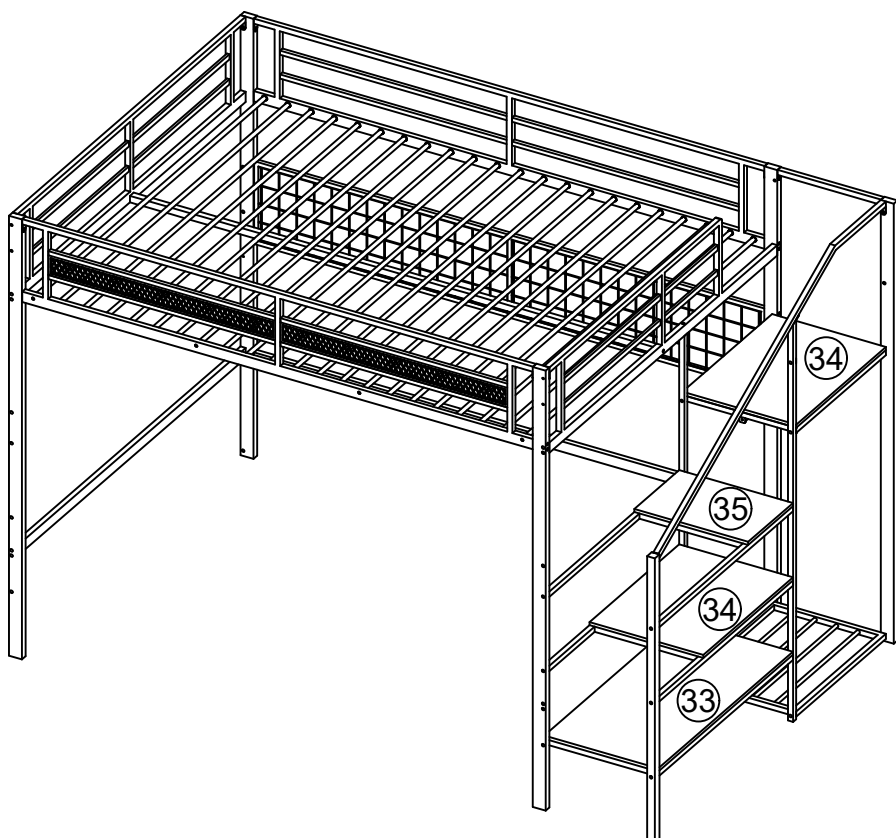
21

(E)		M8x20	2
(O)		M5	1

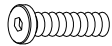



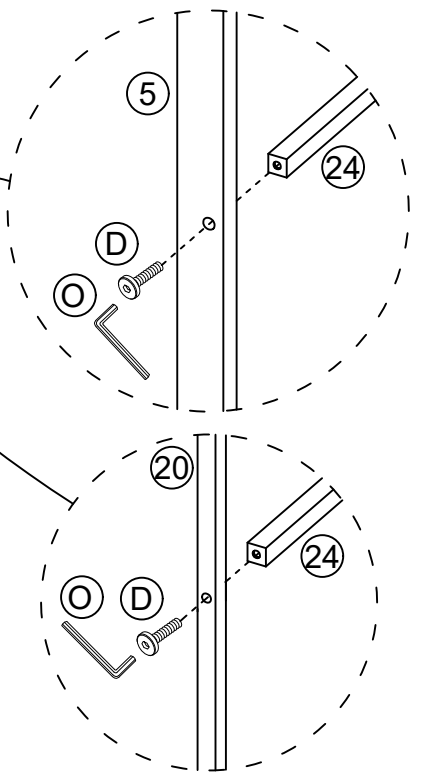
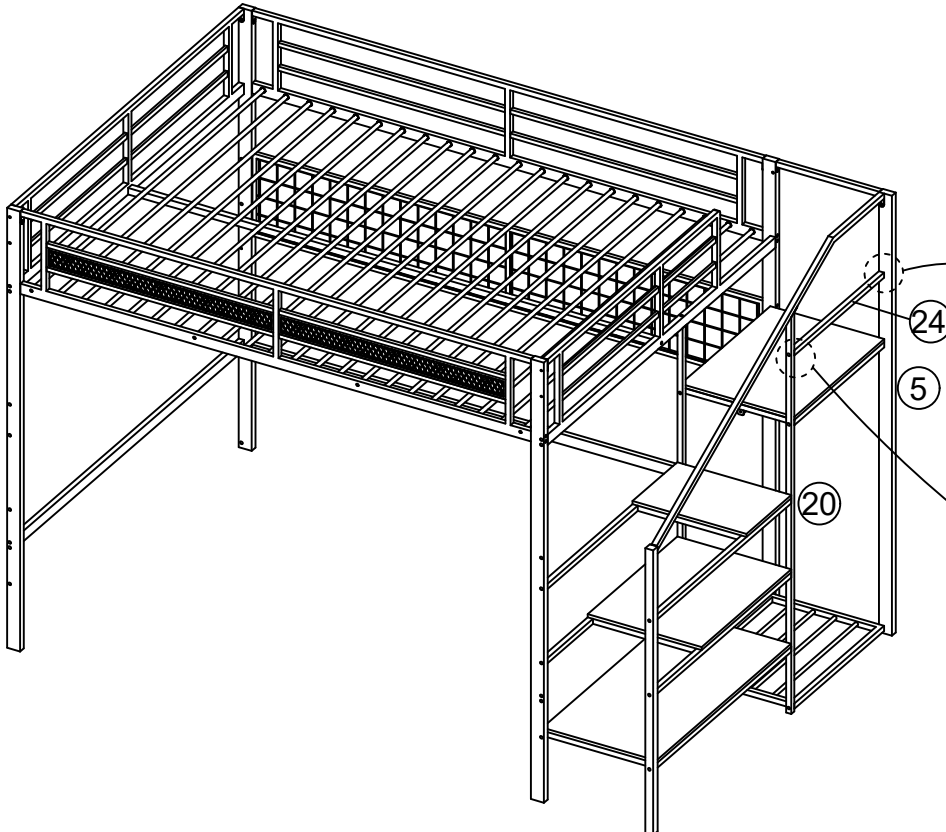
22

(K)		M6x28	16
(N)		M4	1

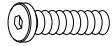



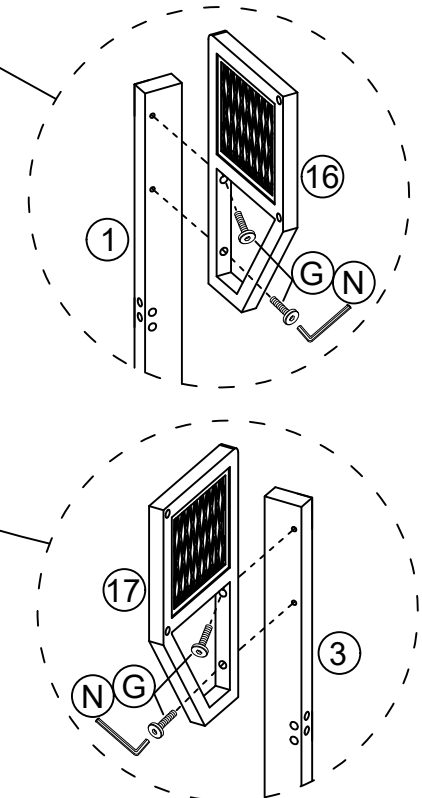
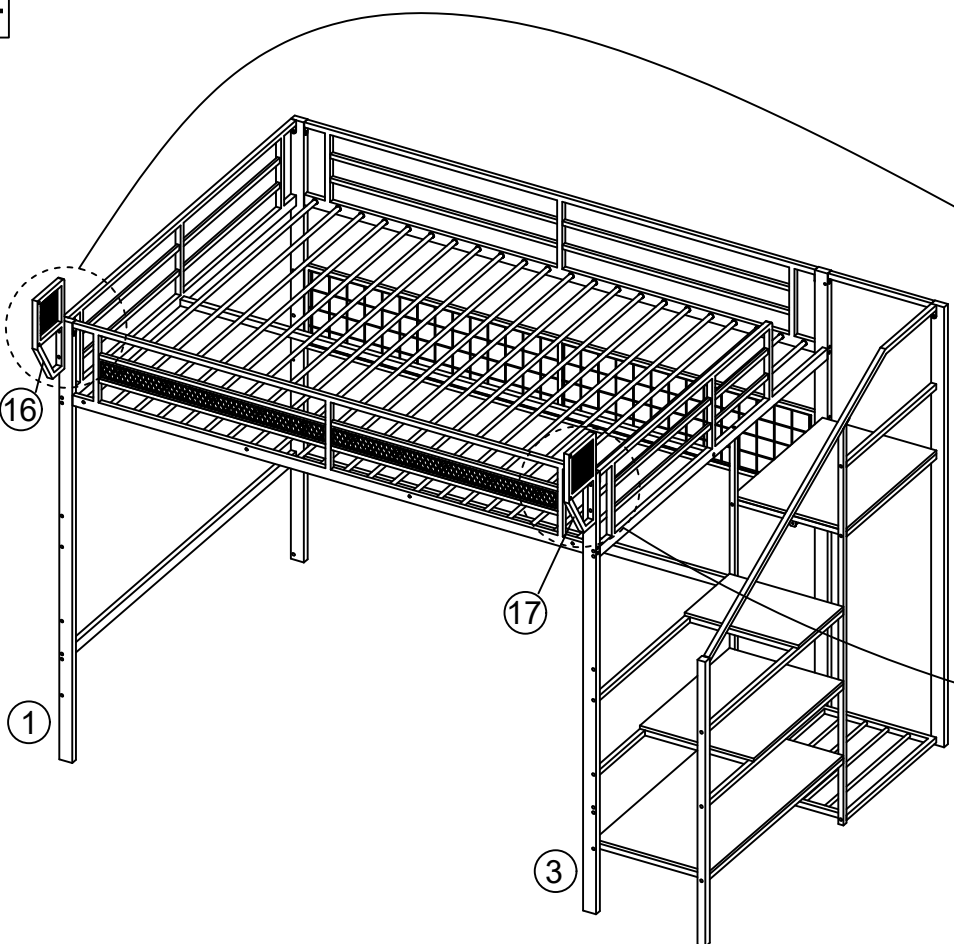
23

(D)		M8×35	2
(O)		M5	1






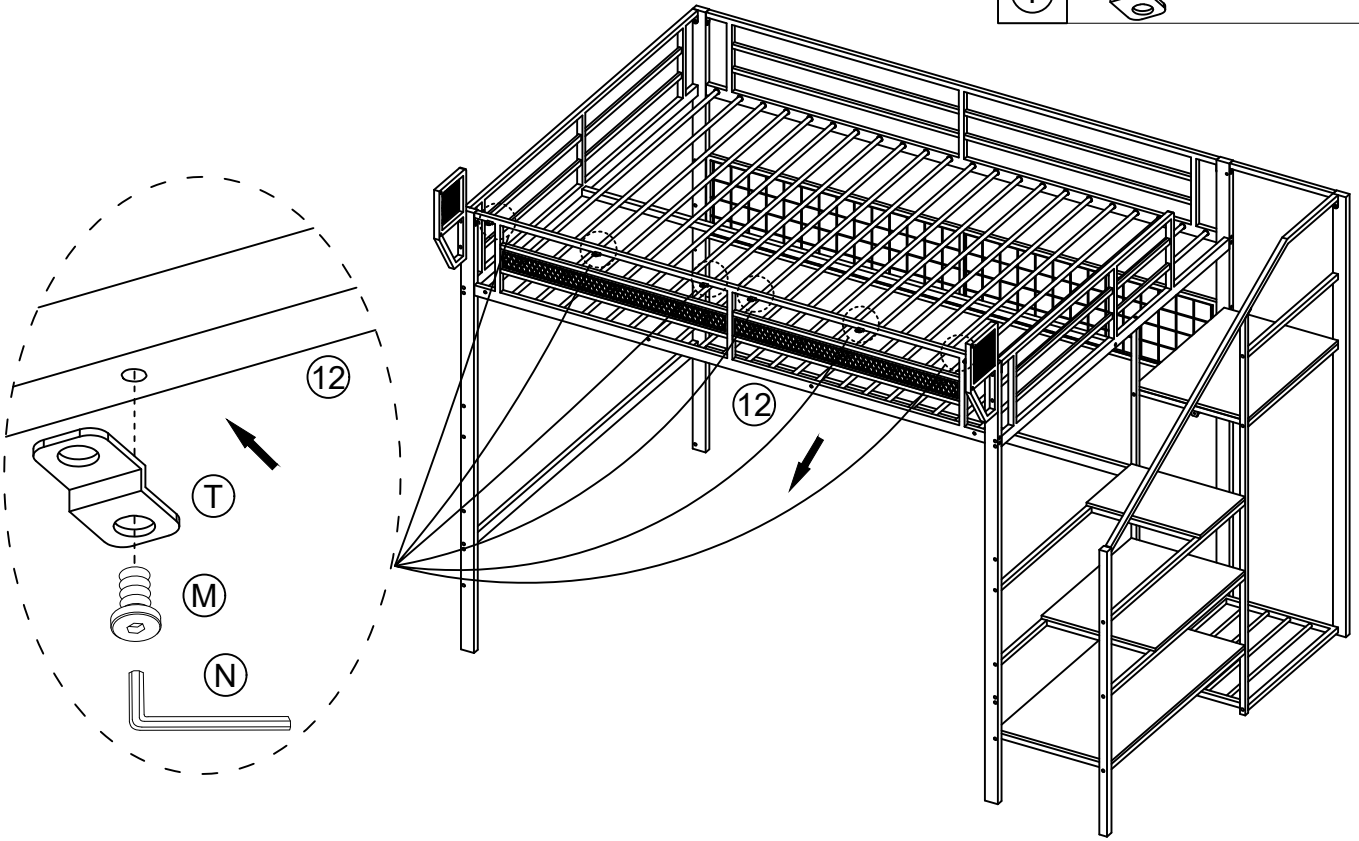
24

(G)		M6×35	4
(N)		M4	1

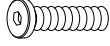



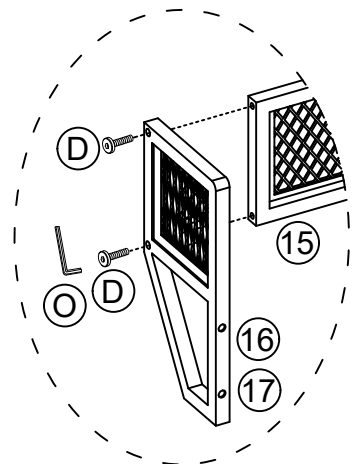
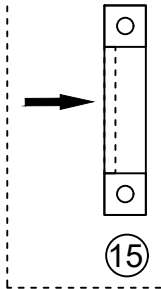
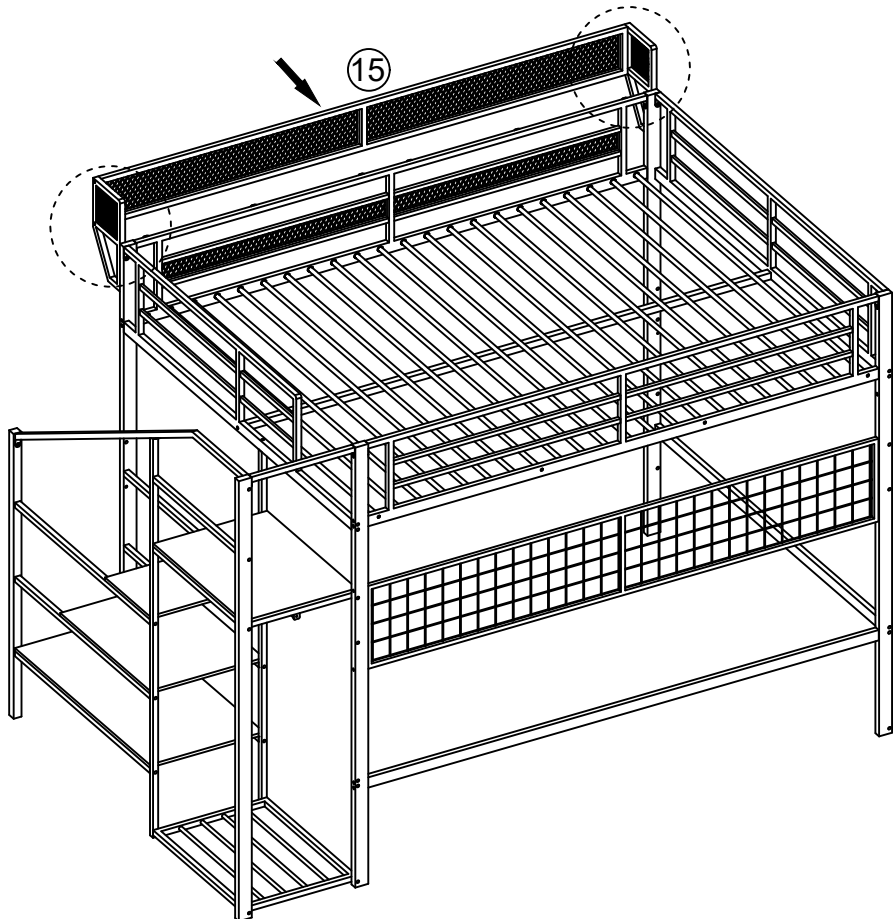
25

(M)		M6×12	6
(N)		M4	1
(T)			6

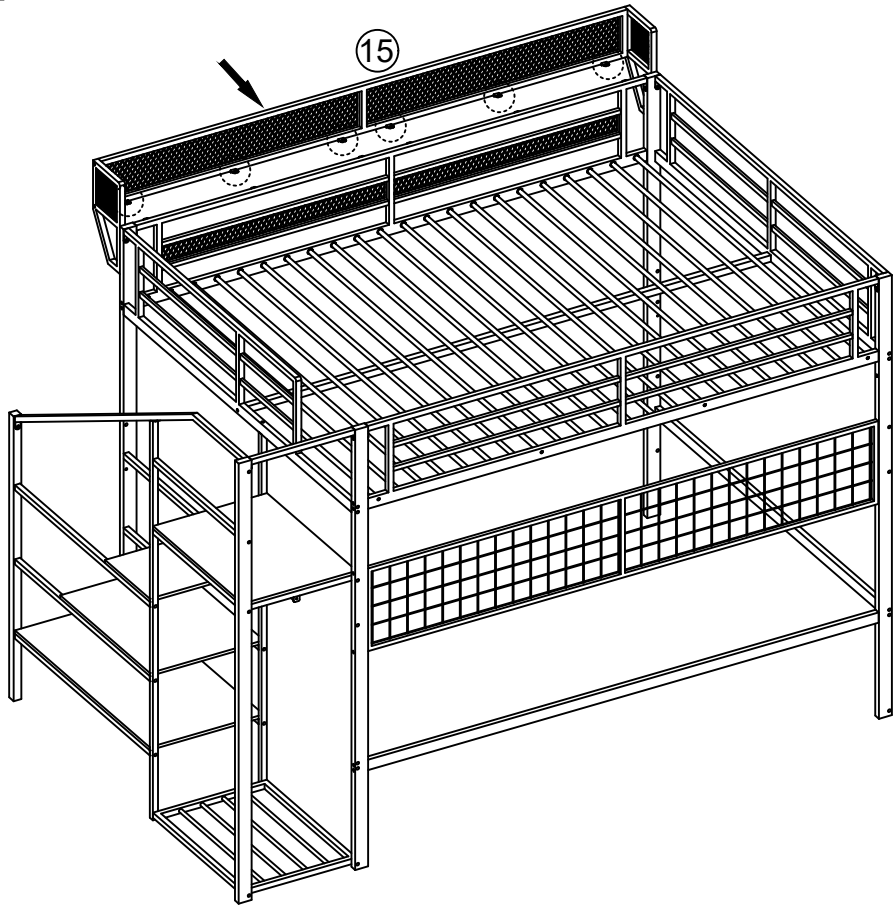


26

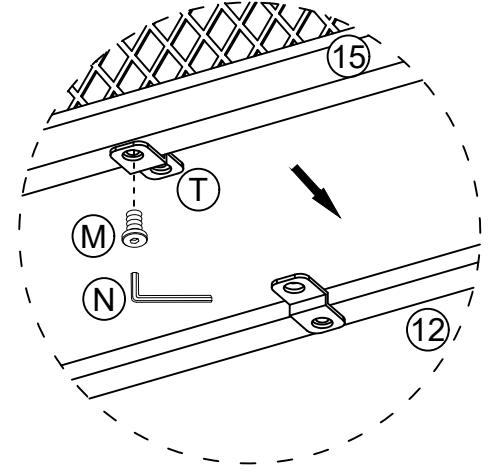
(D)		M8×35	4
(O)		M5	1



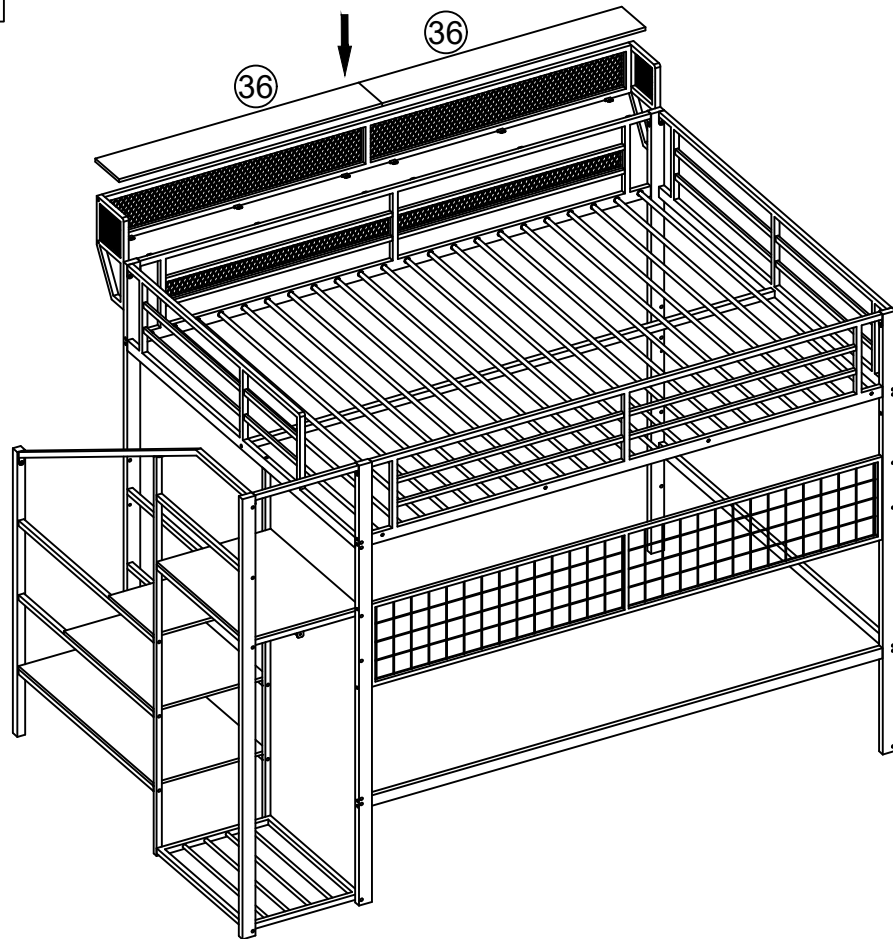
27



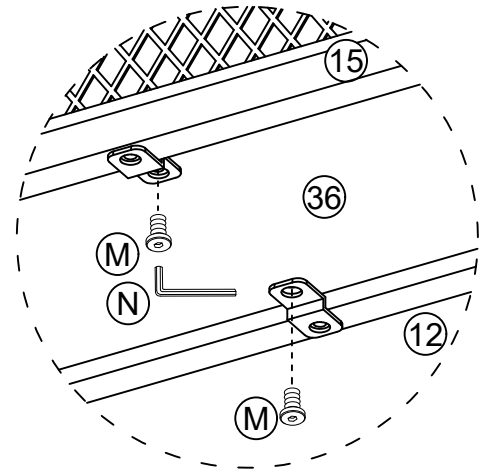
(M)		M6x12	6
(N)		M4	1
(T)			6





28

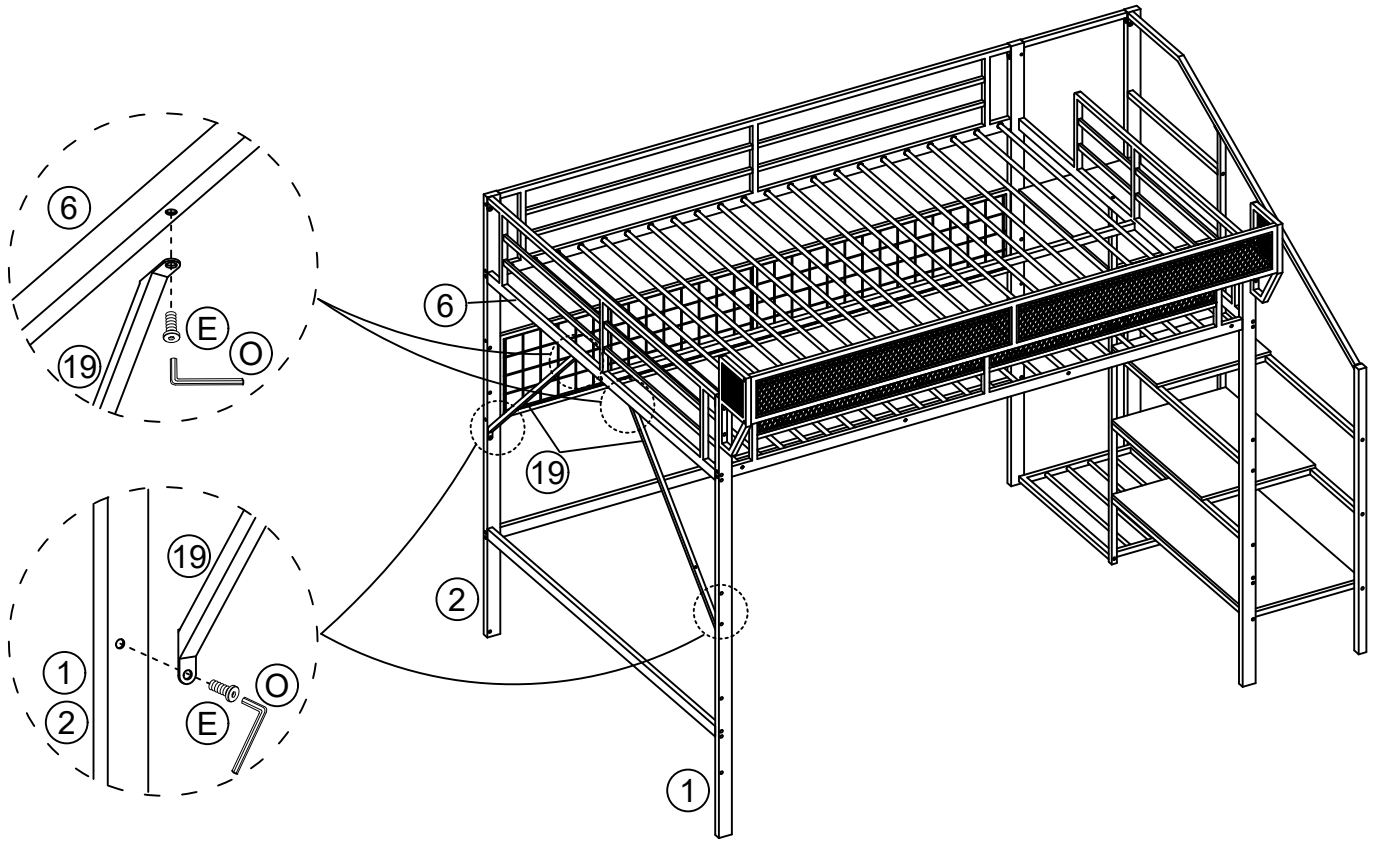


(M)		M6x12	12
(N)		M4	1

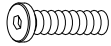
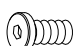



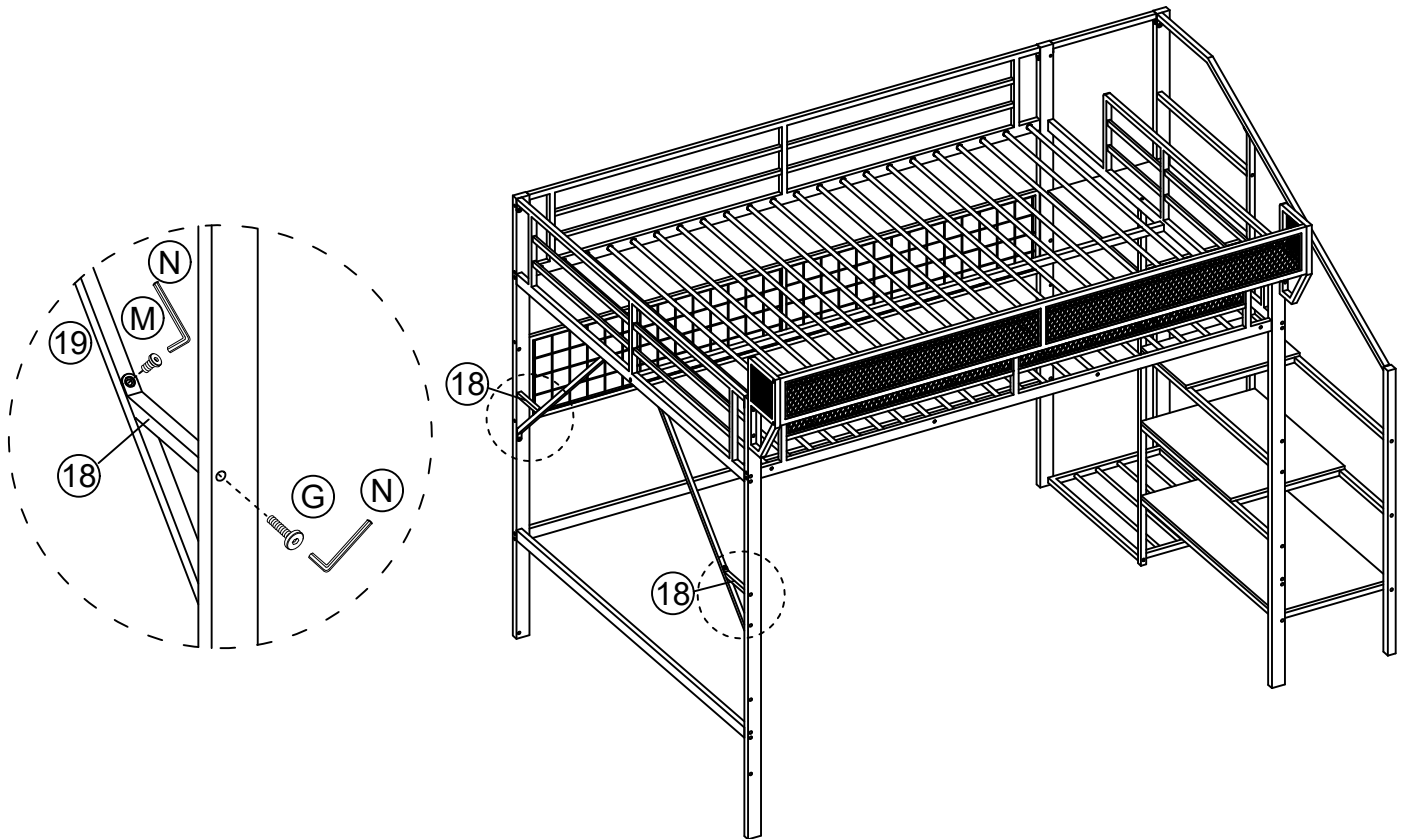
29

(E)		M8×20	4
(O)		M5	1





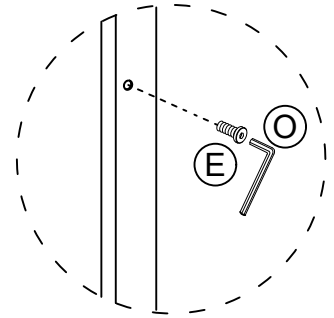
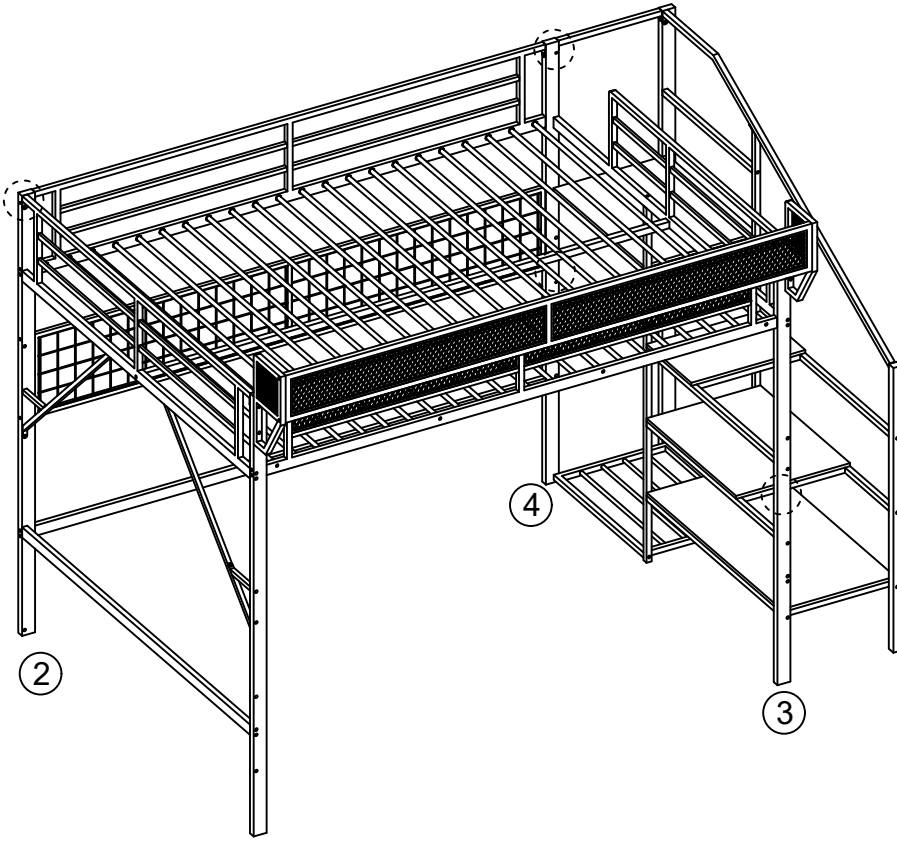
30

(G)		M6×35	2
(M)		M6×12	2
(N)		M4	1




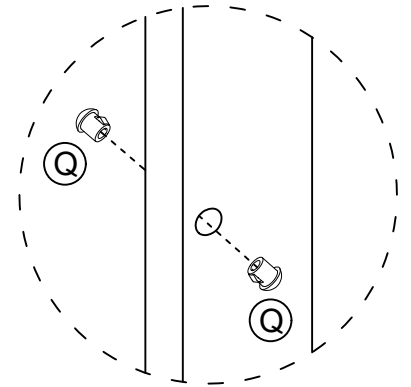
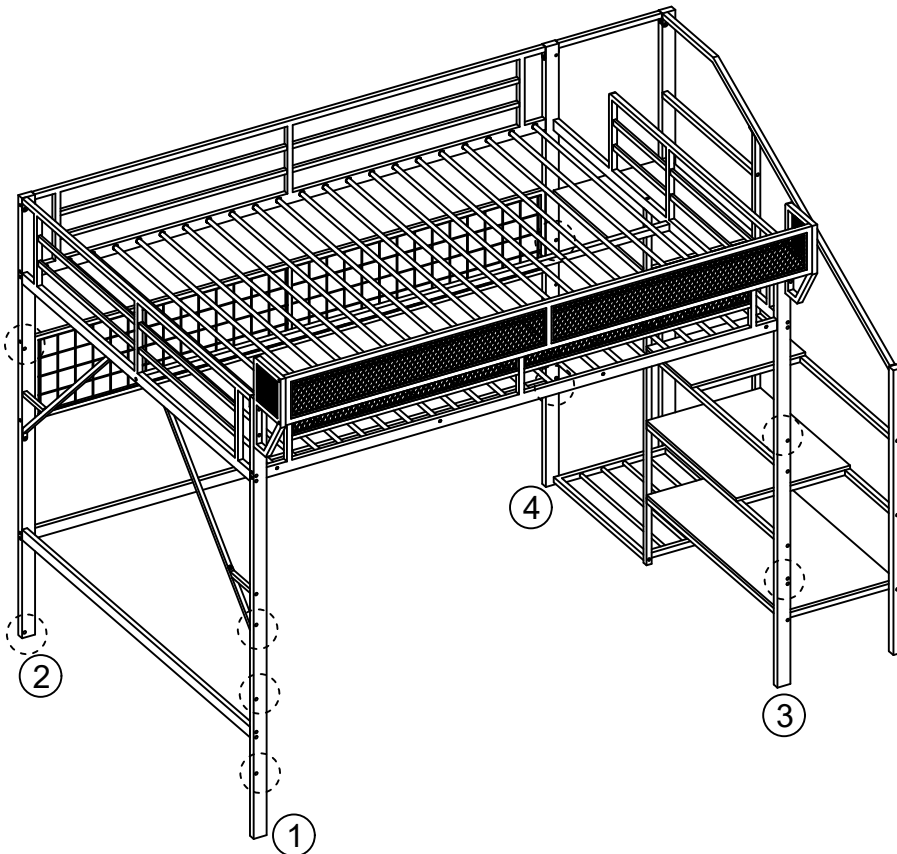
31

(E)		M8x20	4
(O)		M5	1




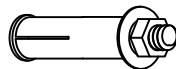
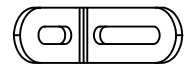
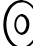


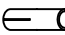



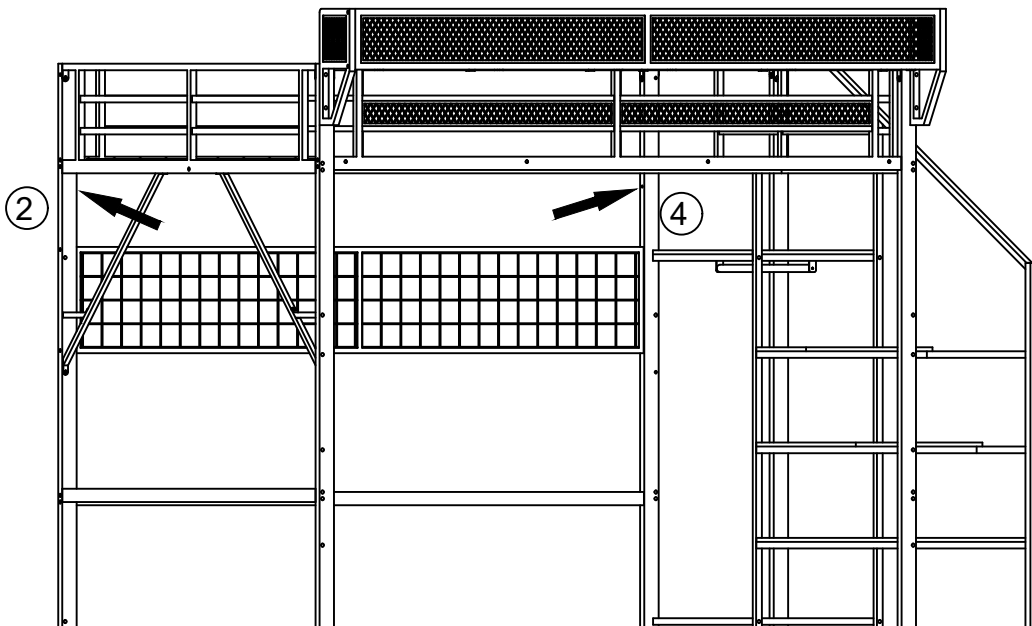
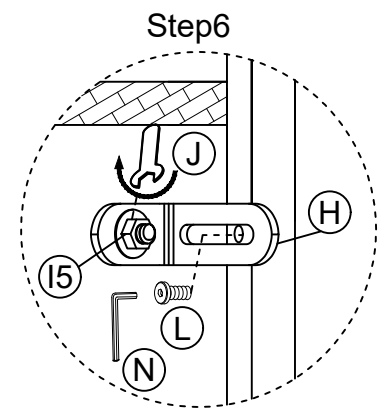
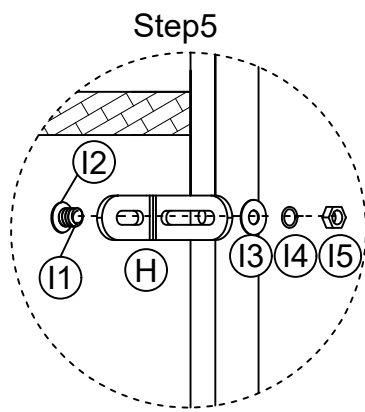
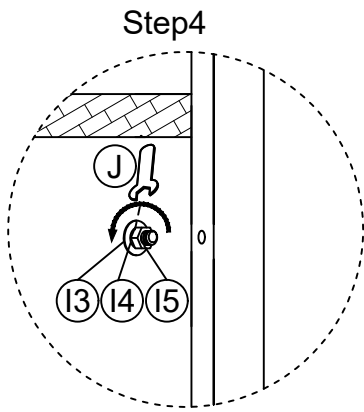
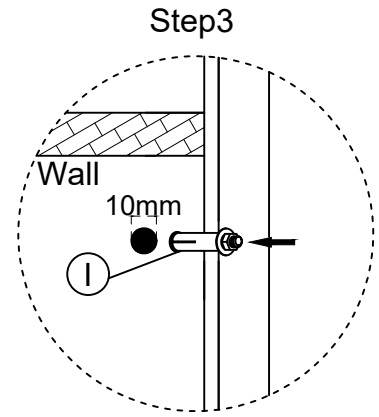
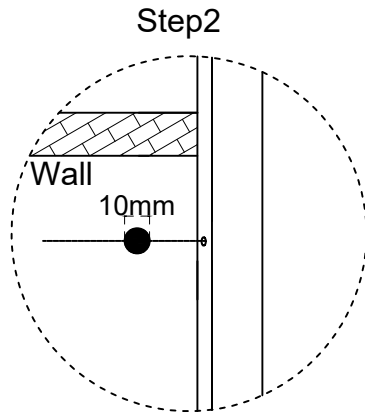
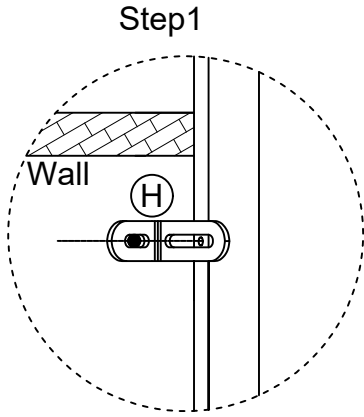
32

(Q)		22
-----	---	----



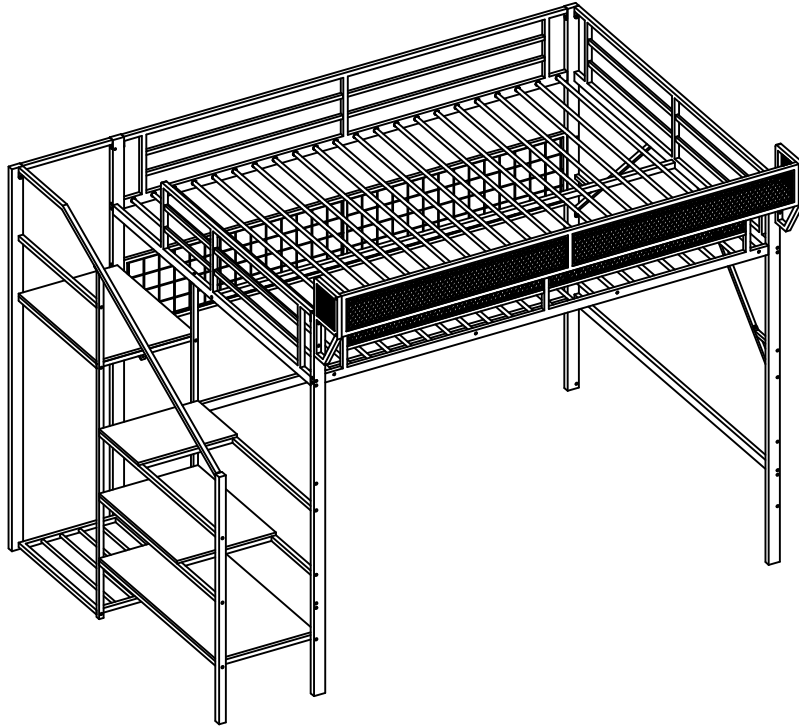
33

 M4	 M6×15mm			
(N)×1PC	(L)×2PCS	(J)×1PC	(I)×2PCS	(H)×2PCS
			 (13)	 (14)
		 (15)	 (12)	 (11)

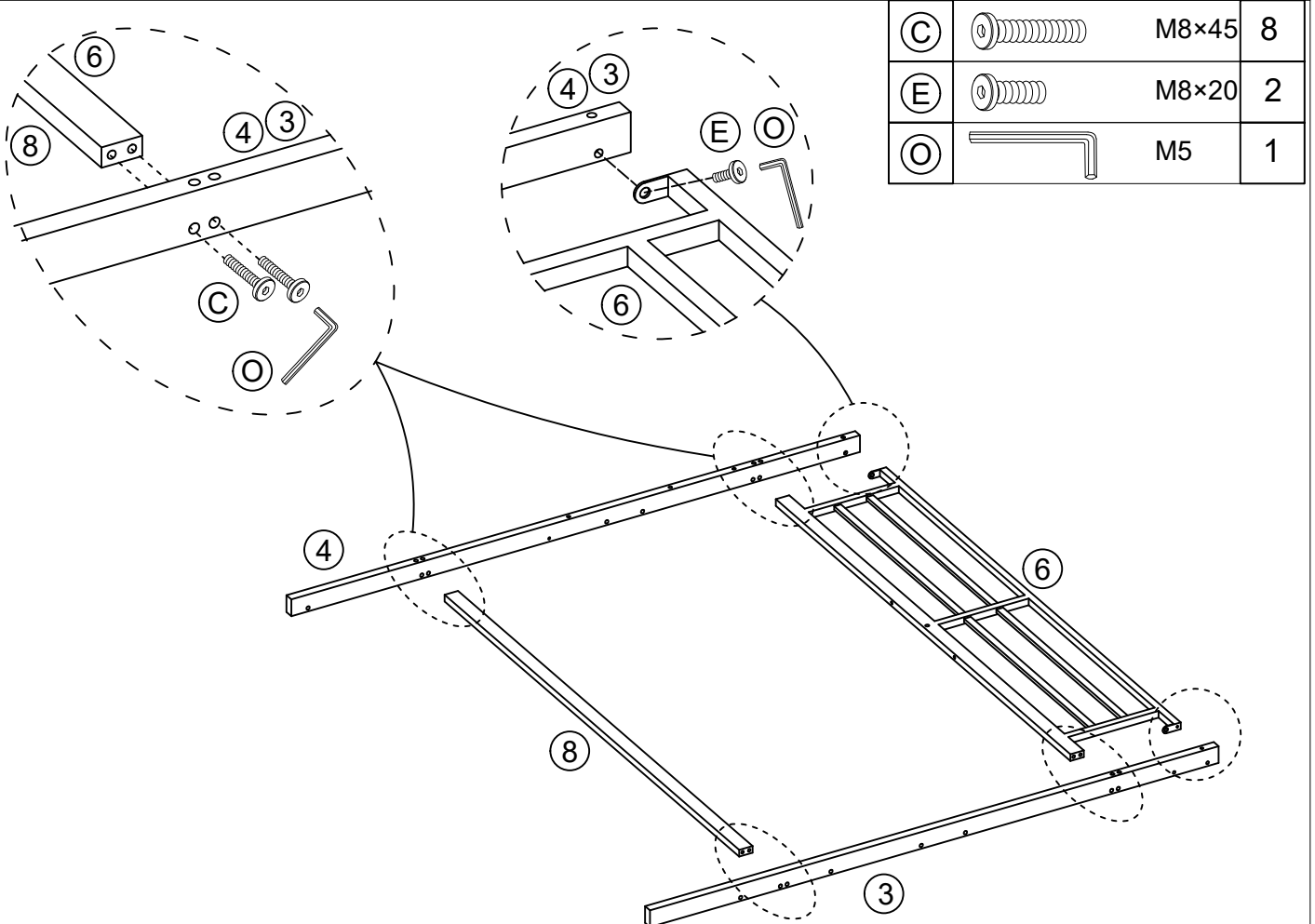


34

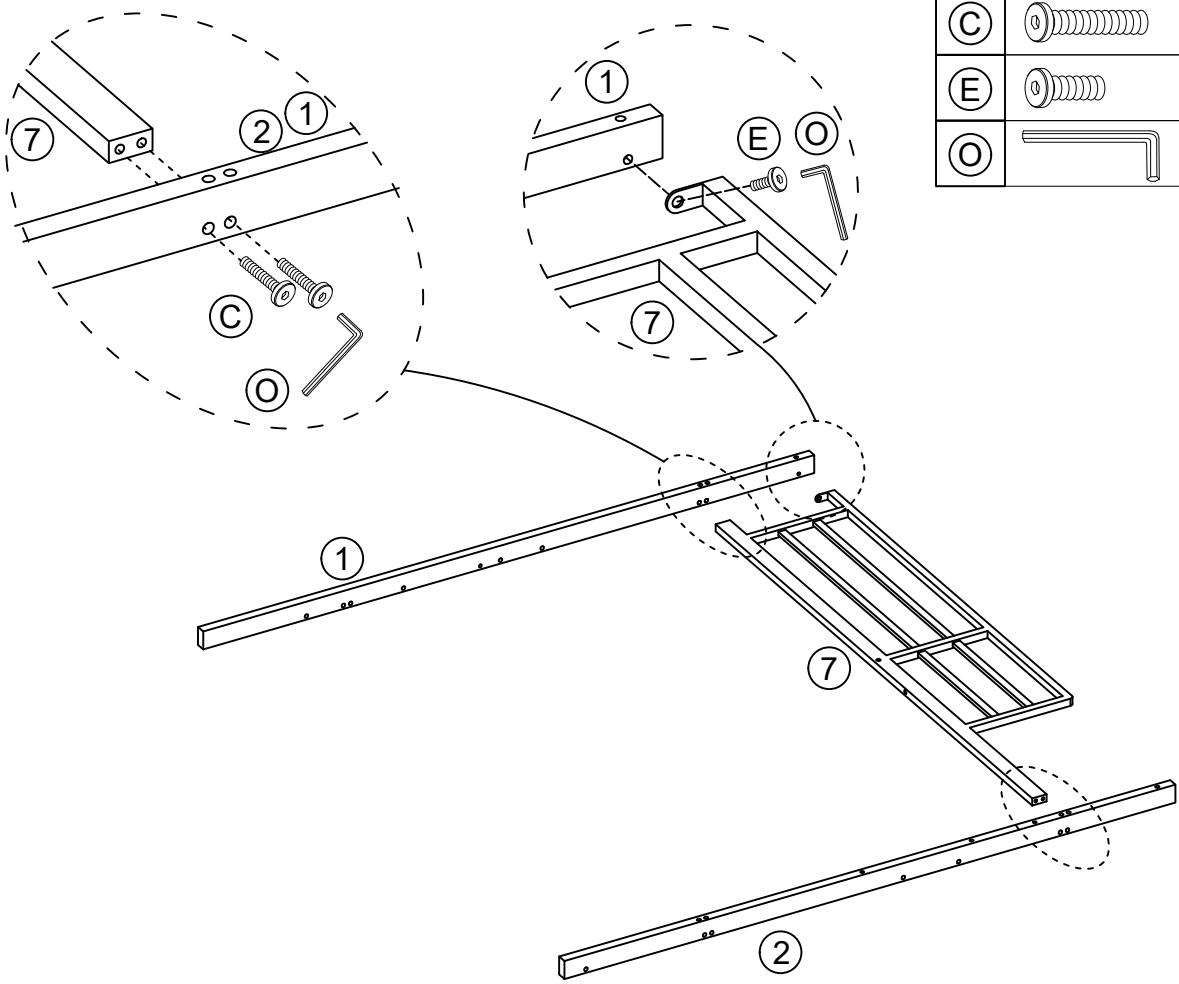
B:WHEN STAIRS INSTALL AT LEFT SIDE



35

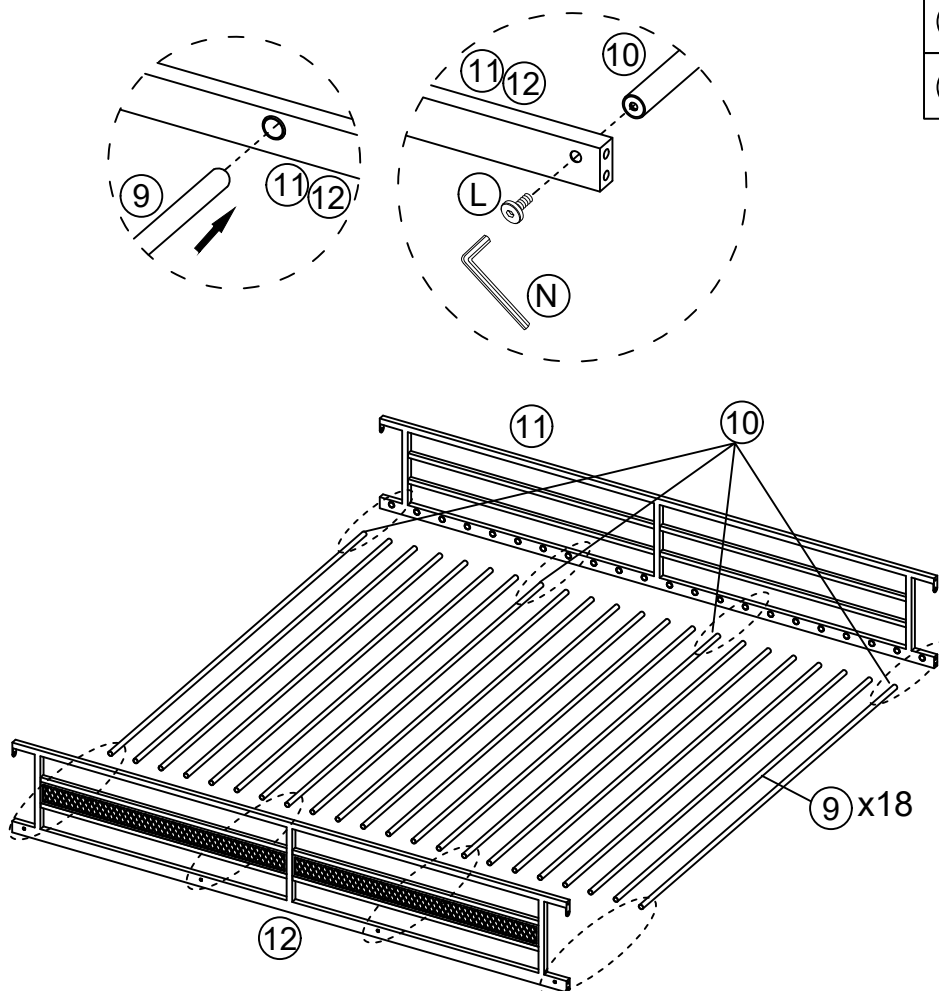


36



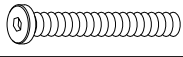


(C)		M8×45	4
(E)		M8×20	1
(O)		M5	1

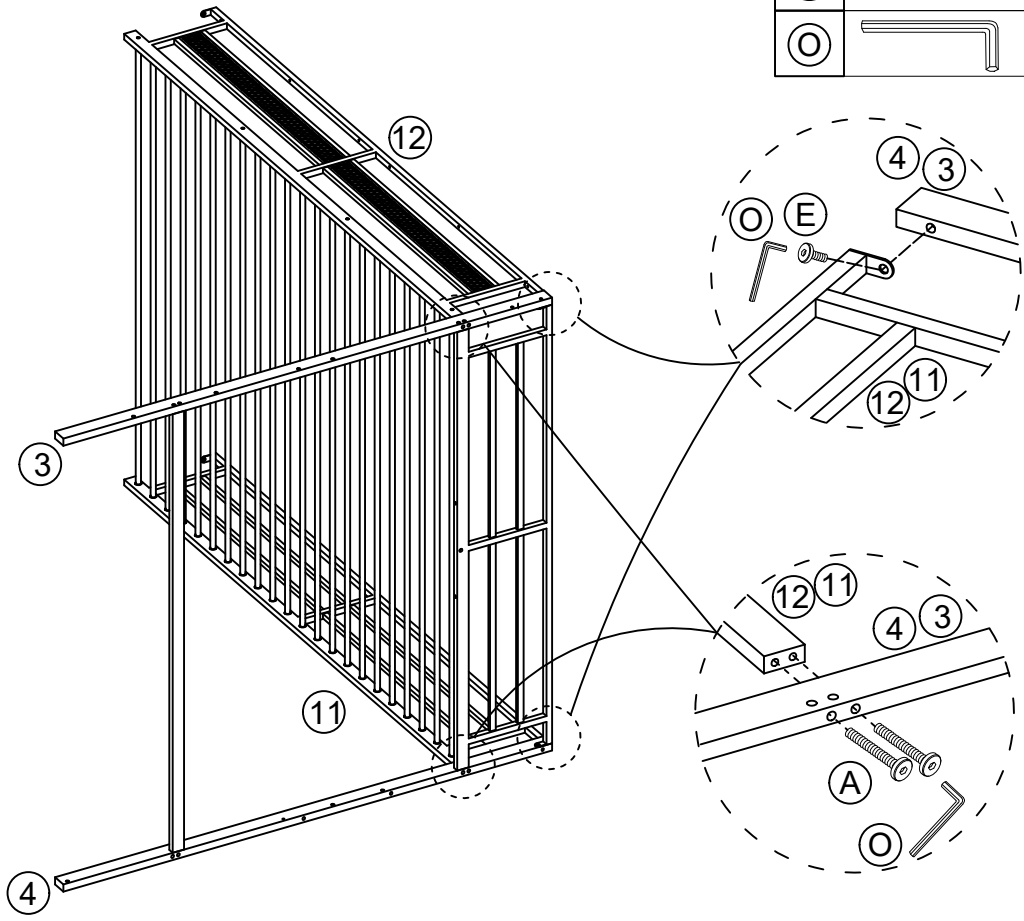
37



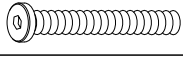
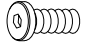

(L)		M6×15	8
(N)		M4	1

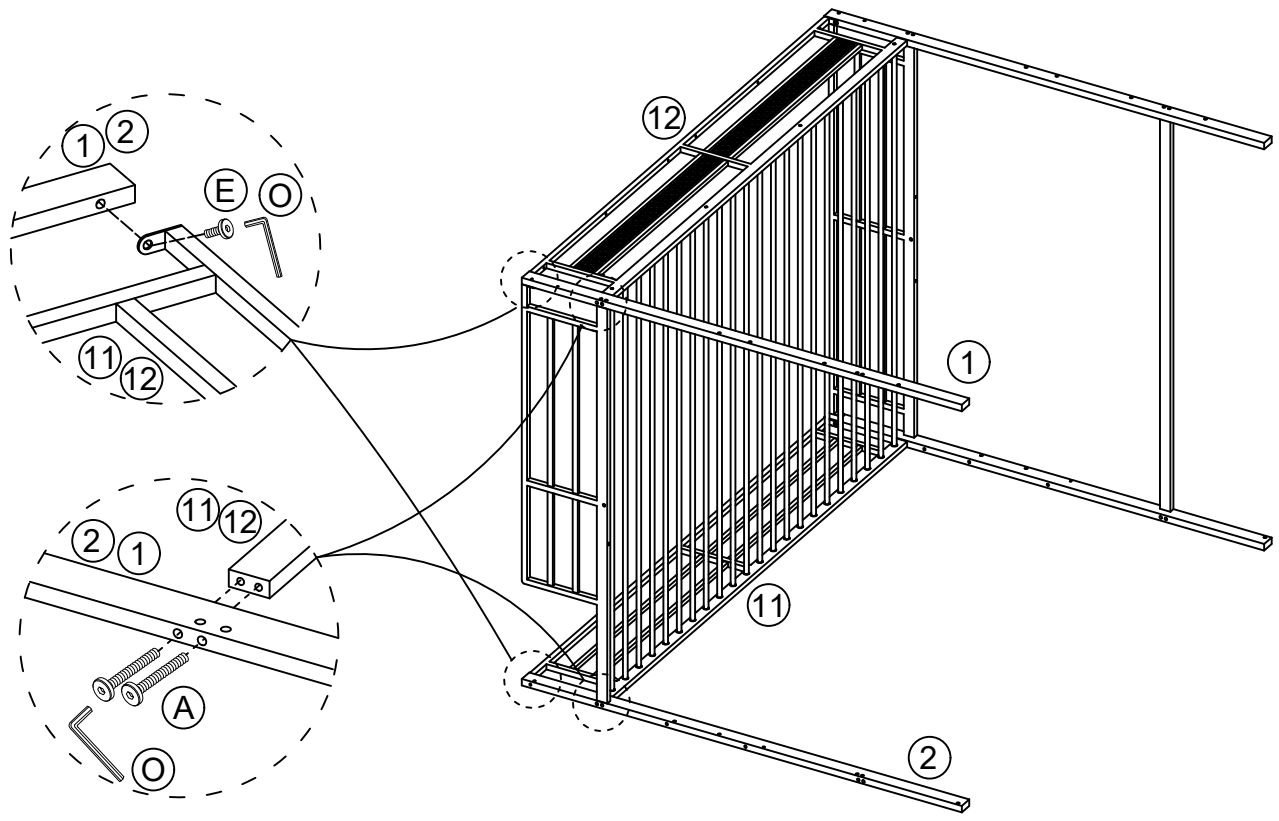
38

(A)		M8×70	4
(E)		M8×20	2
(O)		M5	1

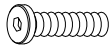



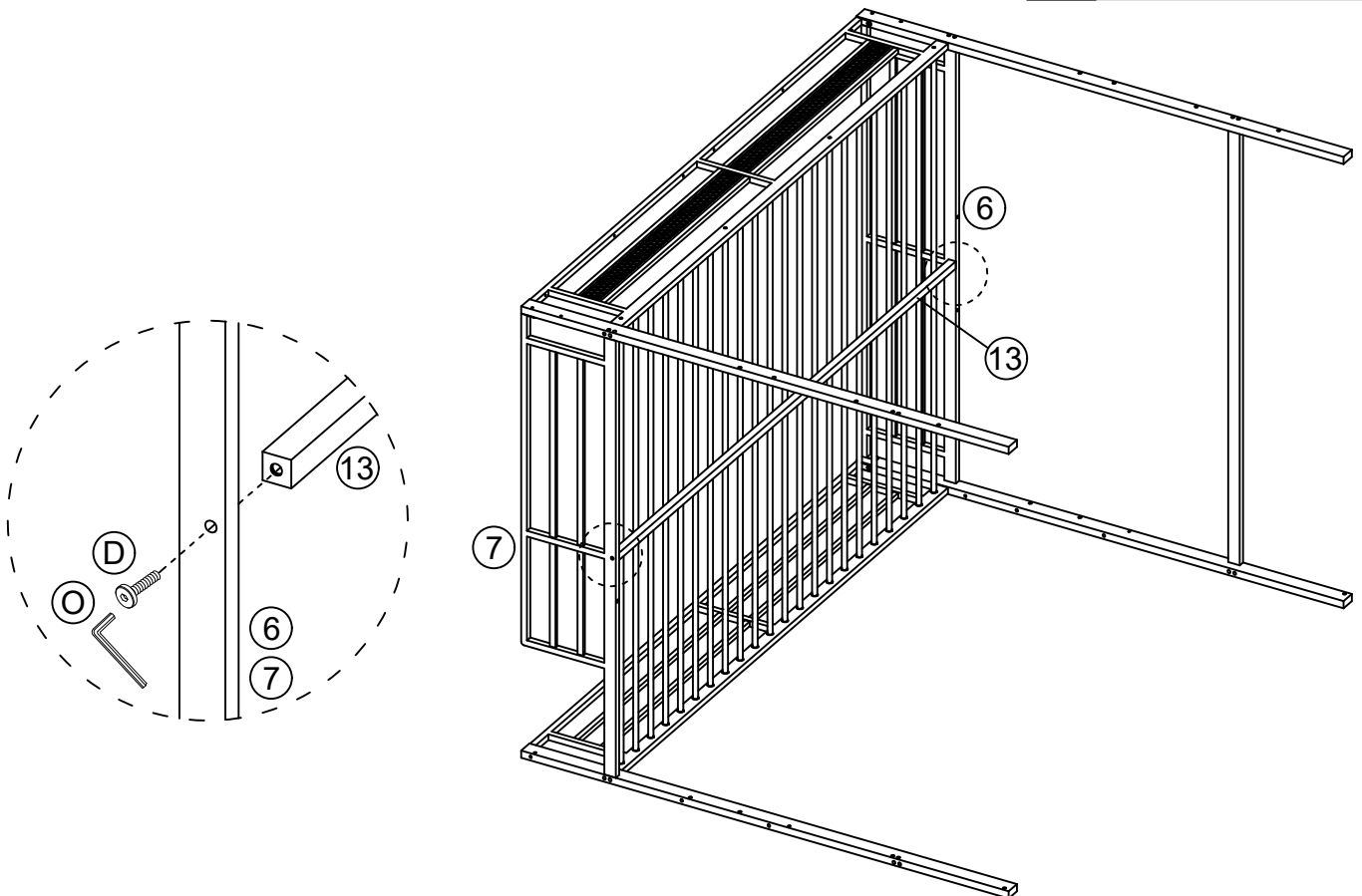
39

(A)		M8×70	4
(E)		M8×20	2
(O)		M5	1

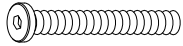



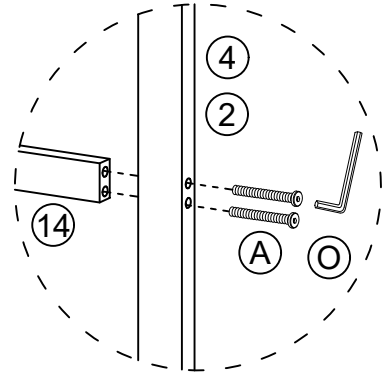
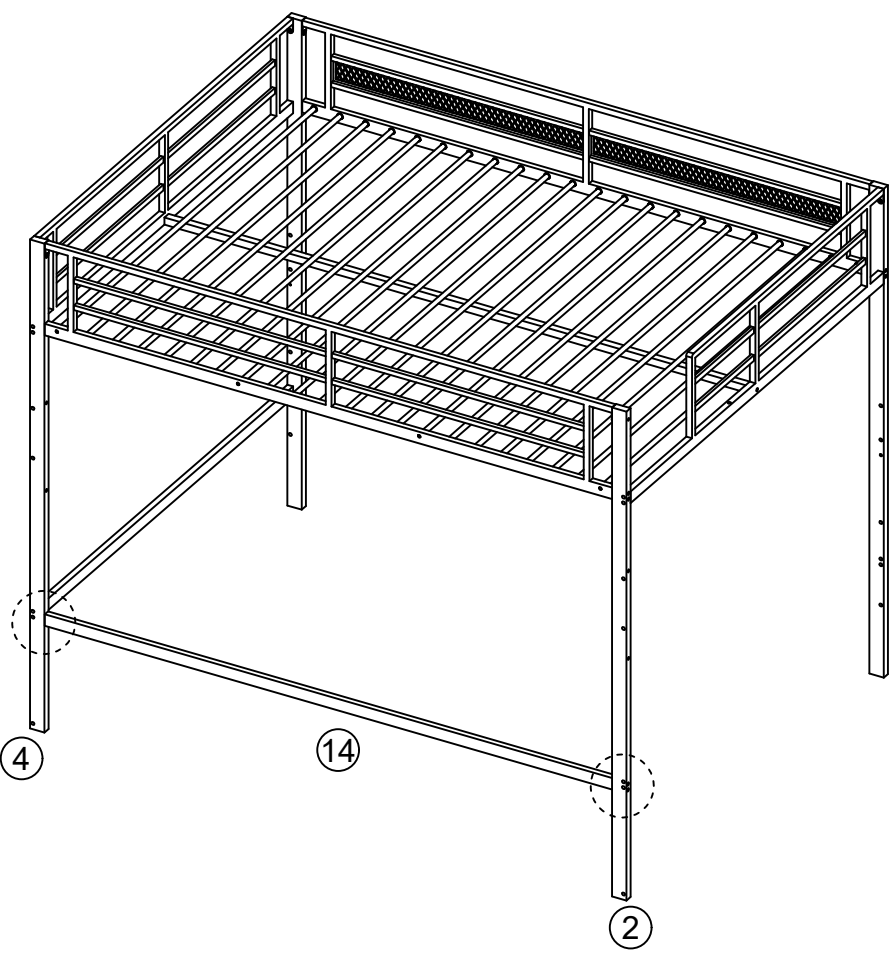
40

(D)		M8×35	2
(O)		M5	1





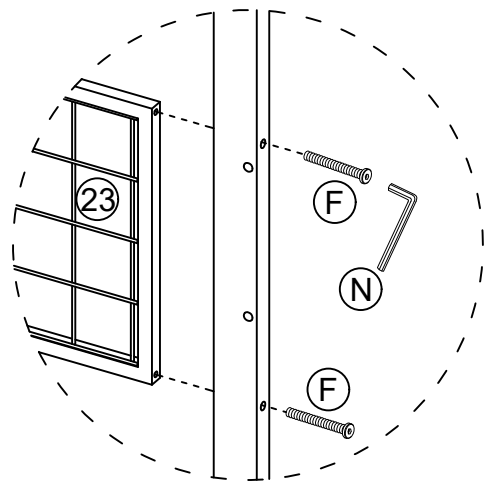
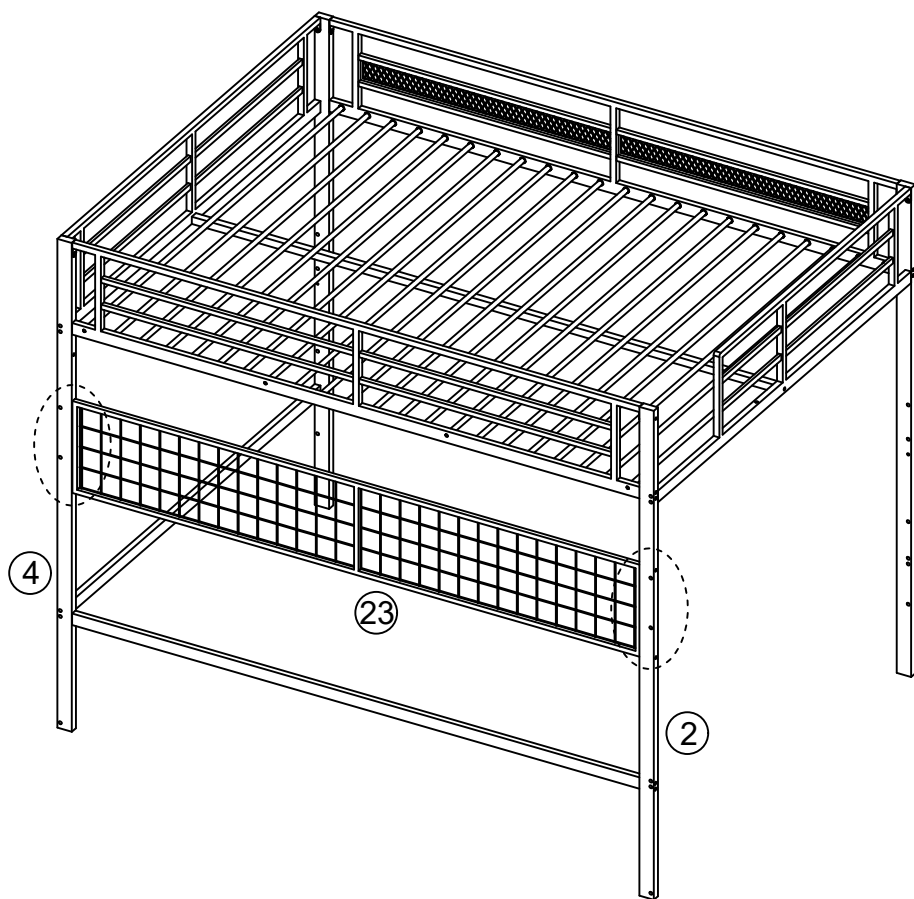
41

(A)		M8×70	4
(O)		M5	1





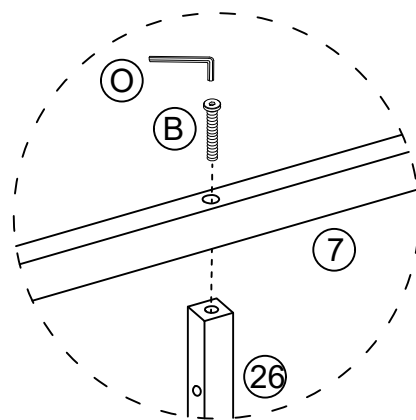
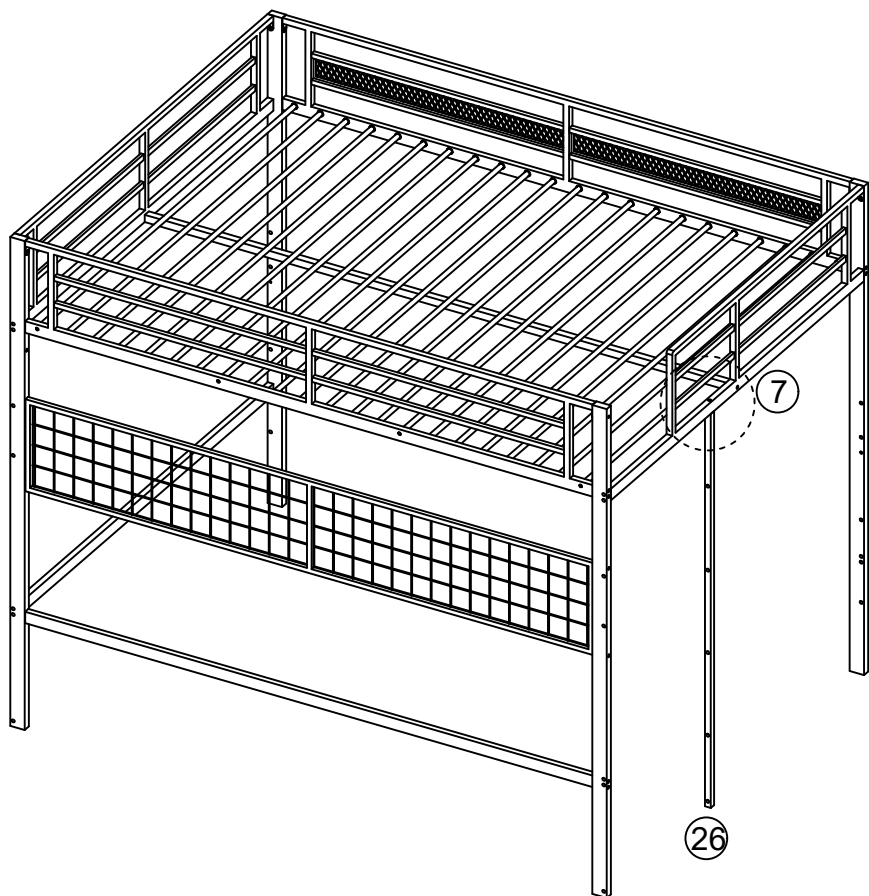
42

(F)		M6×70	4
(N)		M4	1





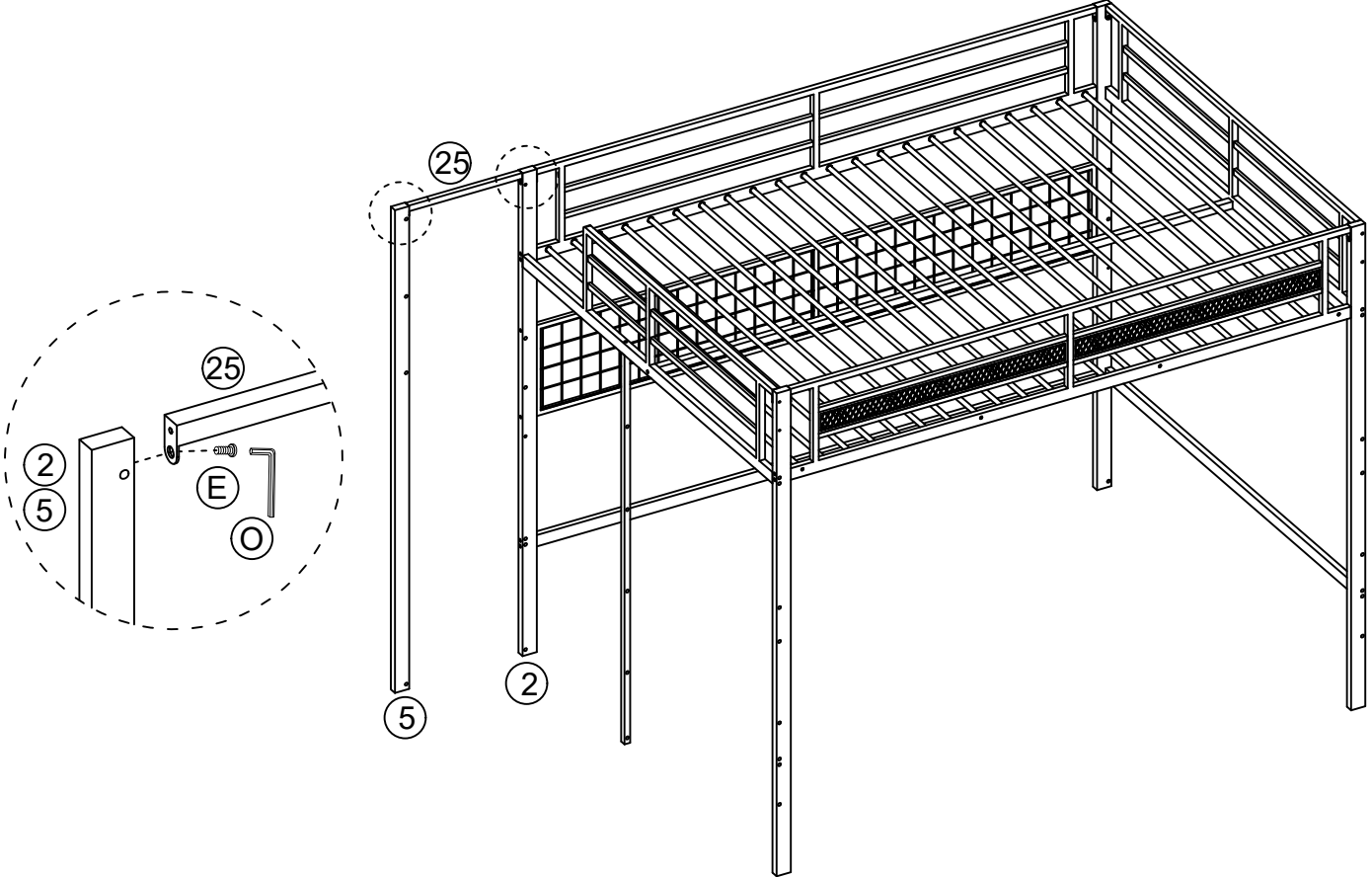
43

(B)		M8×55	1
(O)		M5	1

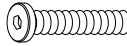



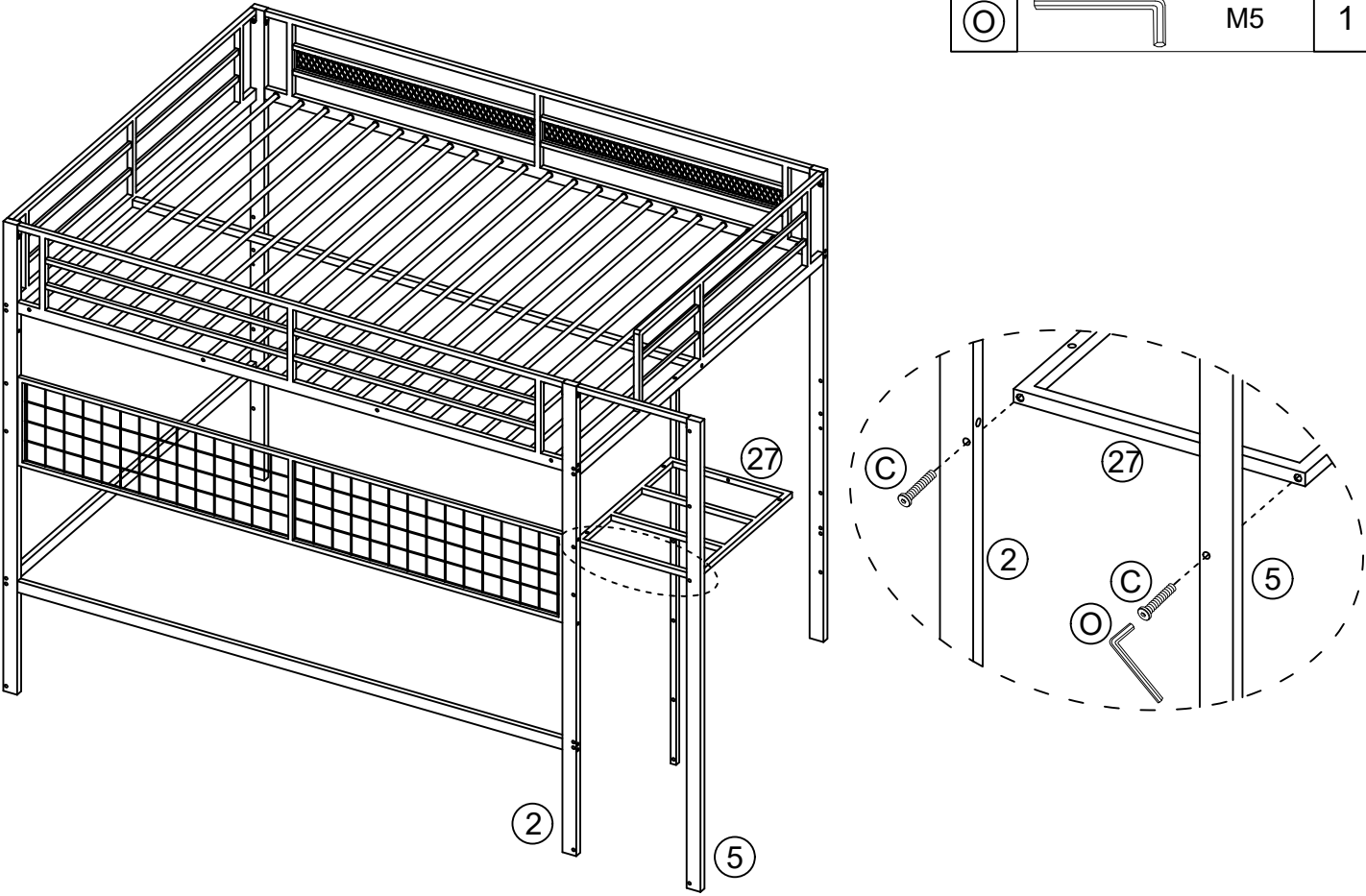
44

(E)		M8x20	2
(O)		M5	1

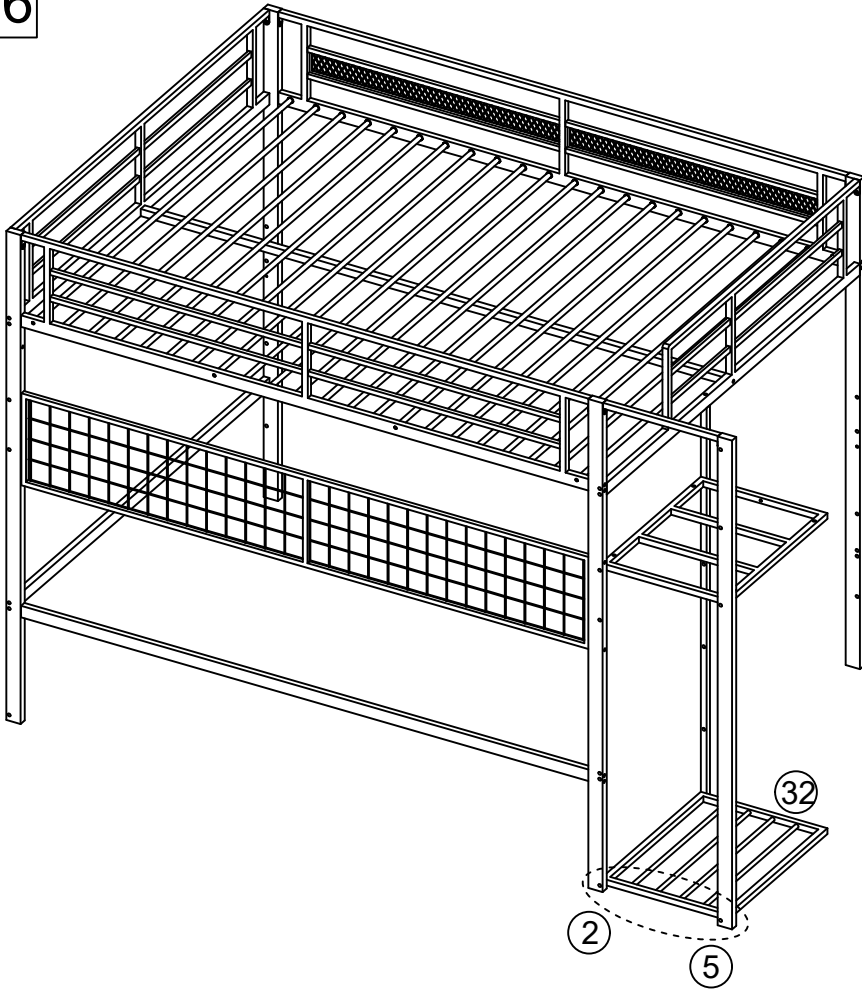


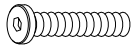

45

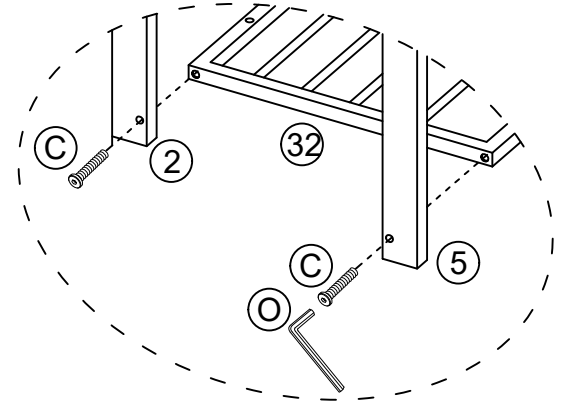
(C)		M8x45	2
(O)		M5	1



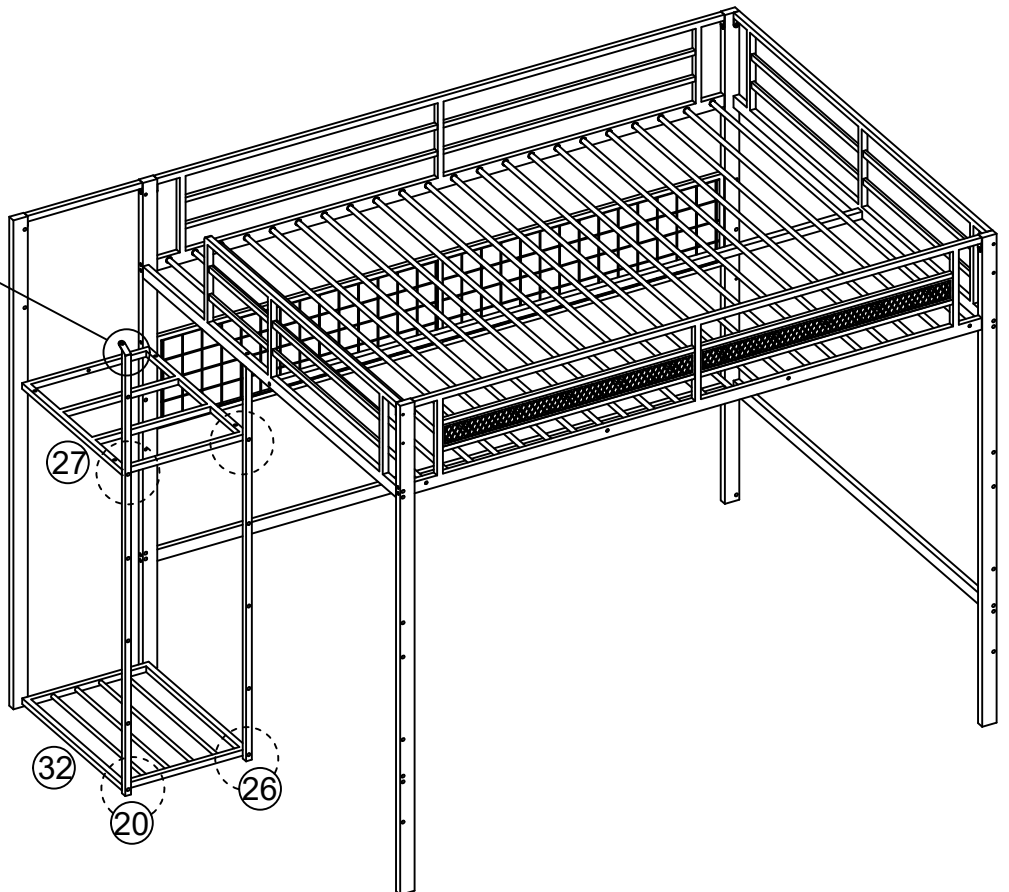
46

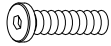



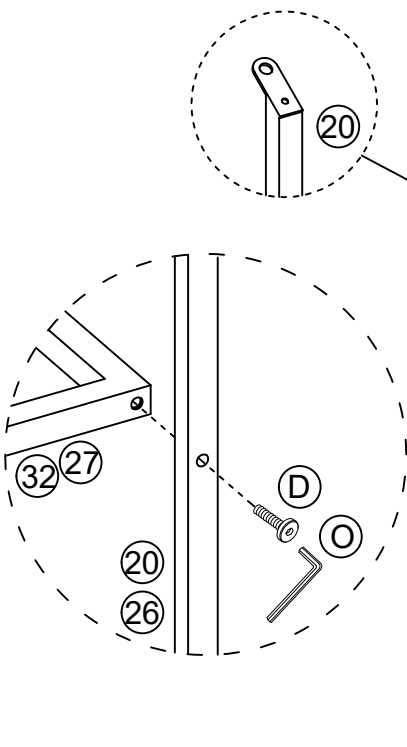
(C)		M8×45	2
(O)		M5	1





47

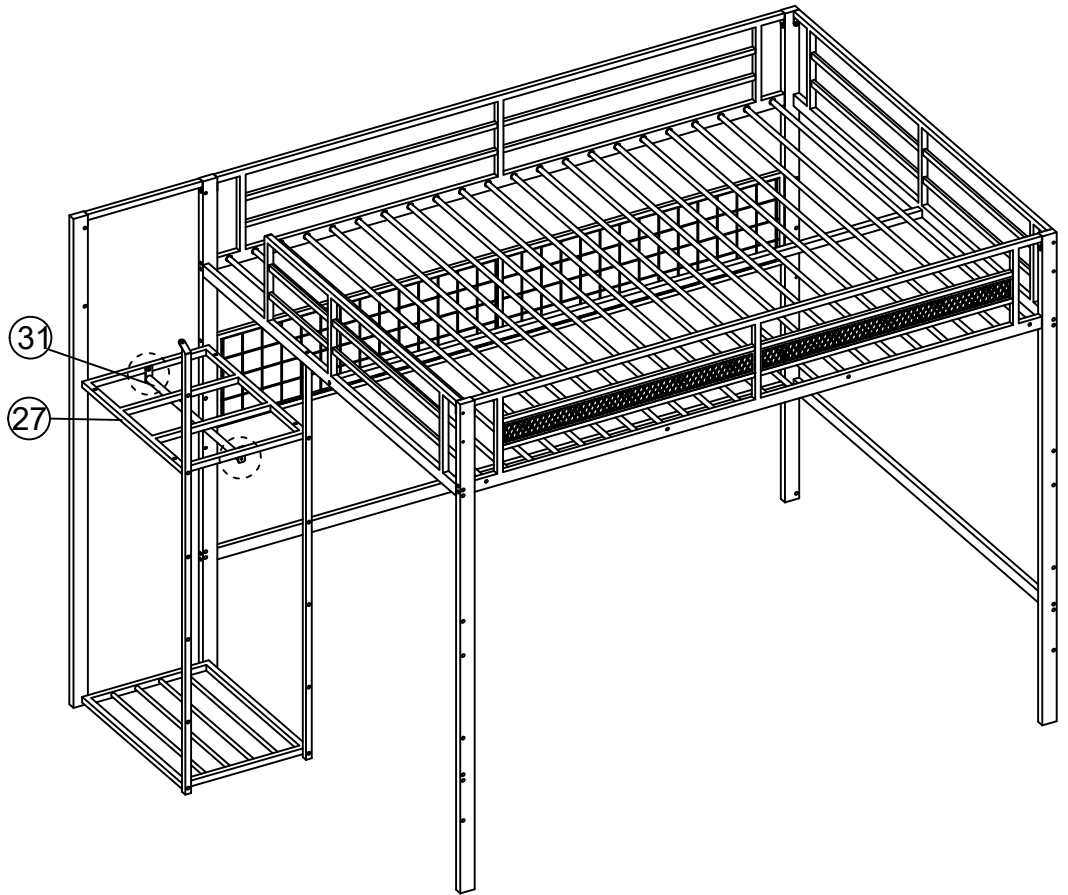
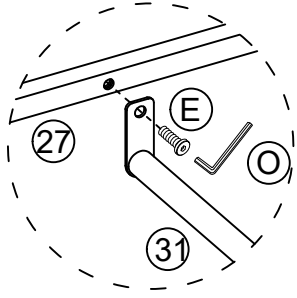


(D)		M8×35	4
(O)		M5	1

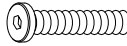
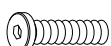



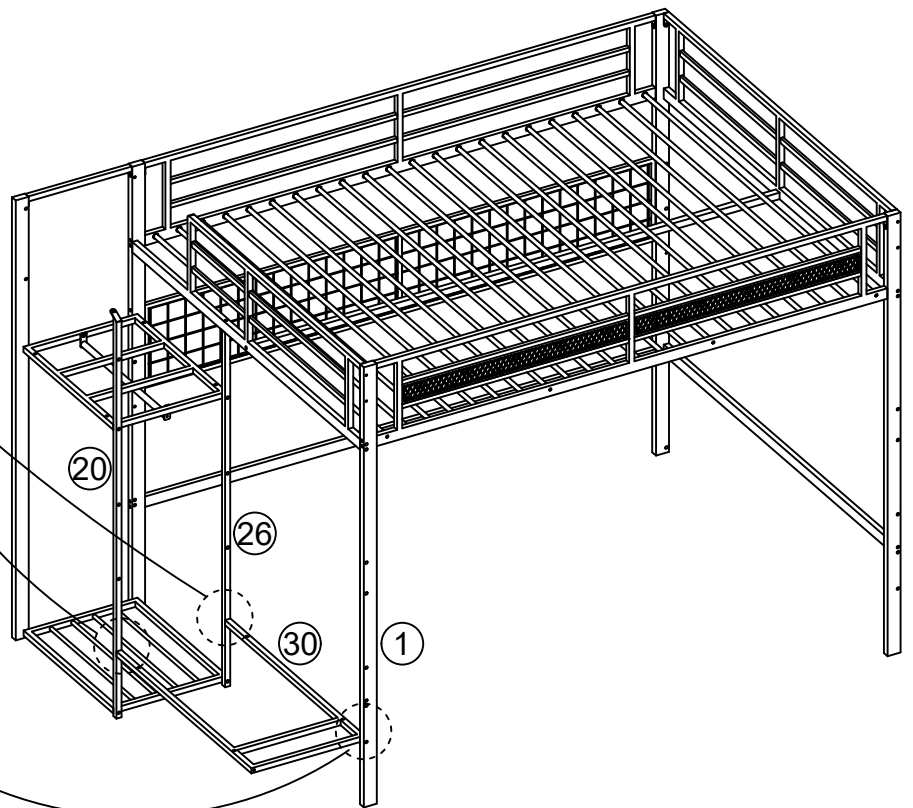
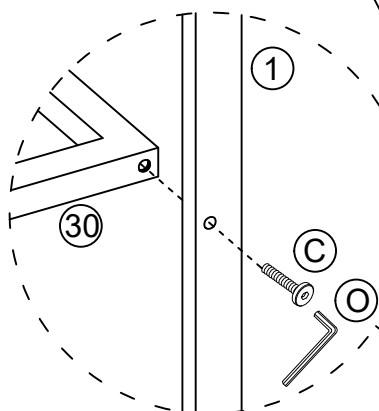
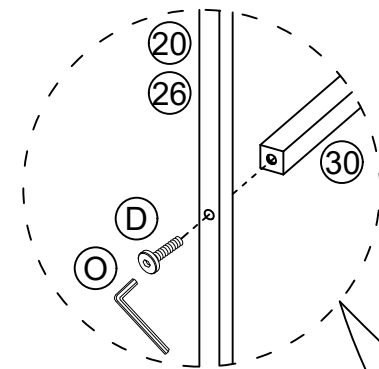
48

(E)		M8×20	2
(O)		M5	1

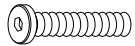
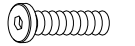



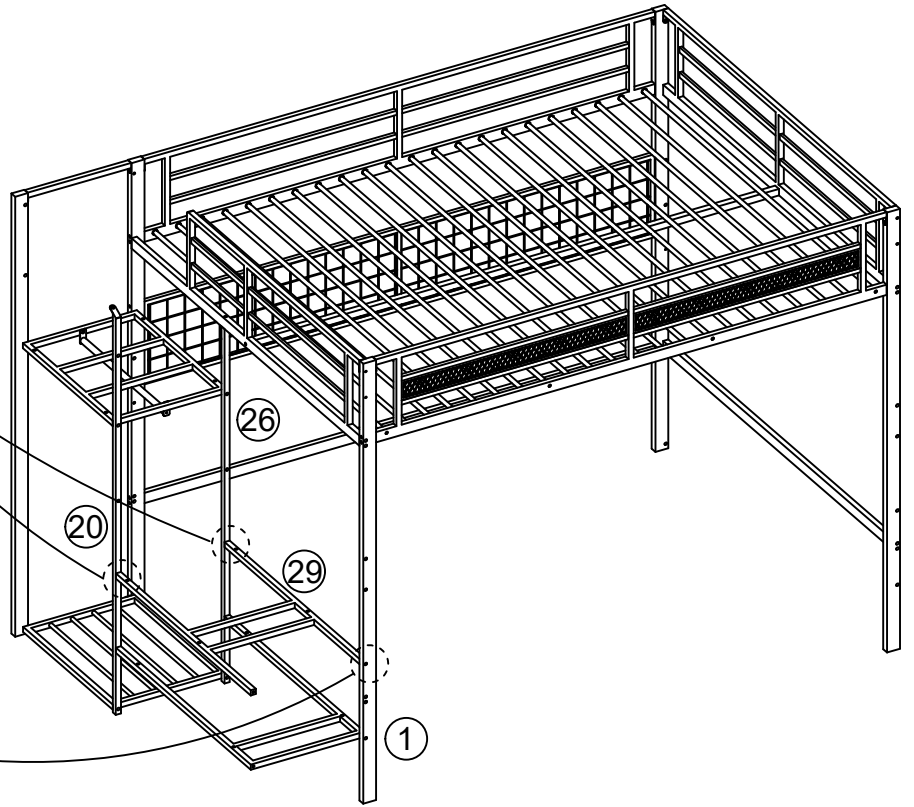
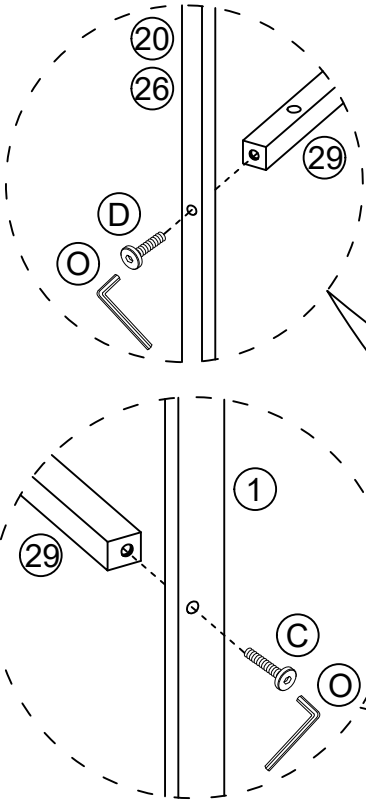
49

(C)		M8×45	1
(D)		M8×35	2
(O)		M5	1

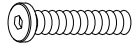
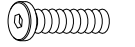
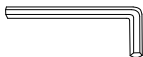


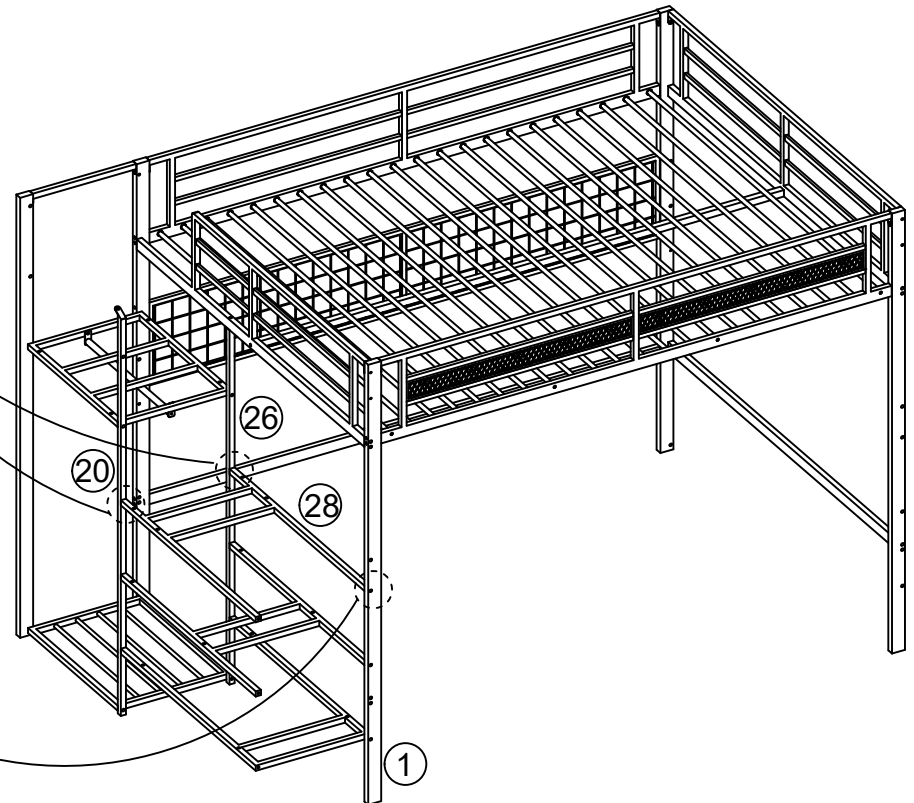
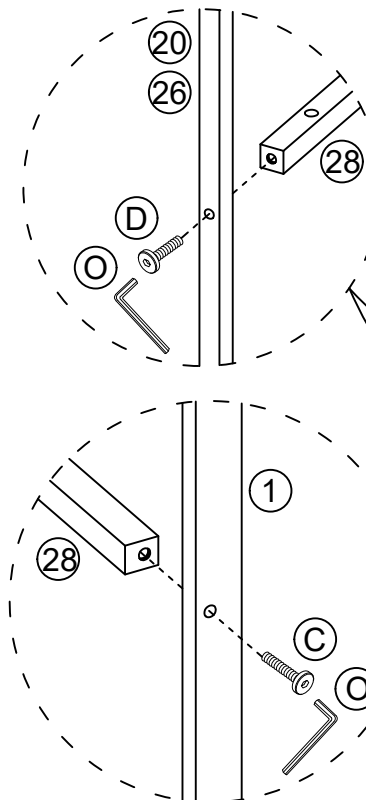
50

(C)		M8×45	1
(D)		M8×35	2
(O)		M5	1

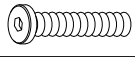


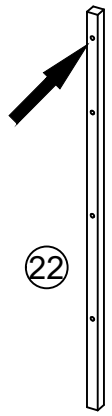
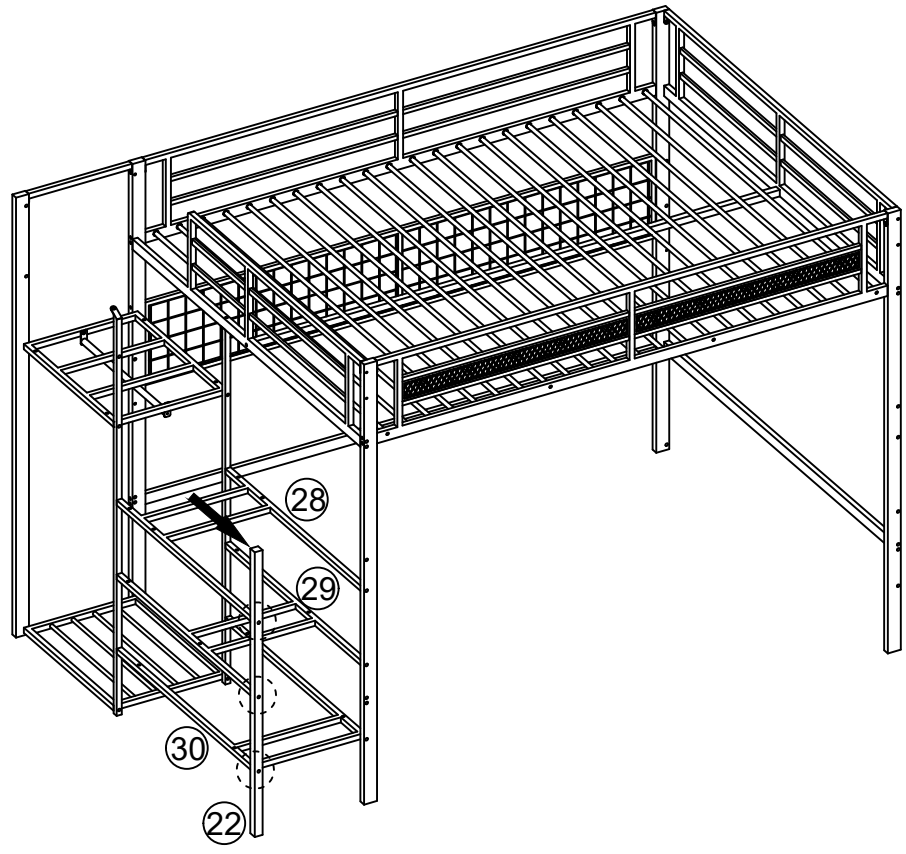
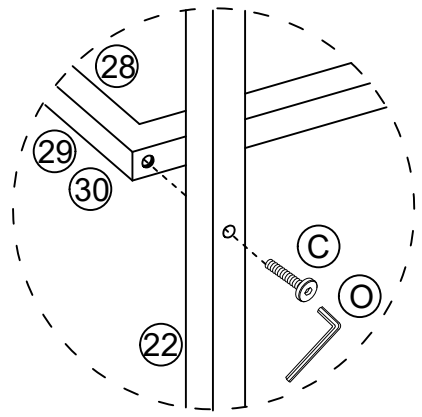
51

(C)		M8×45	1
(D)		M8×35	2
(O)		M5	1

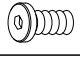
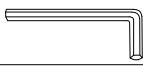


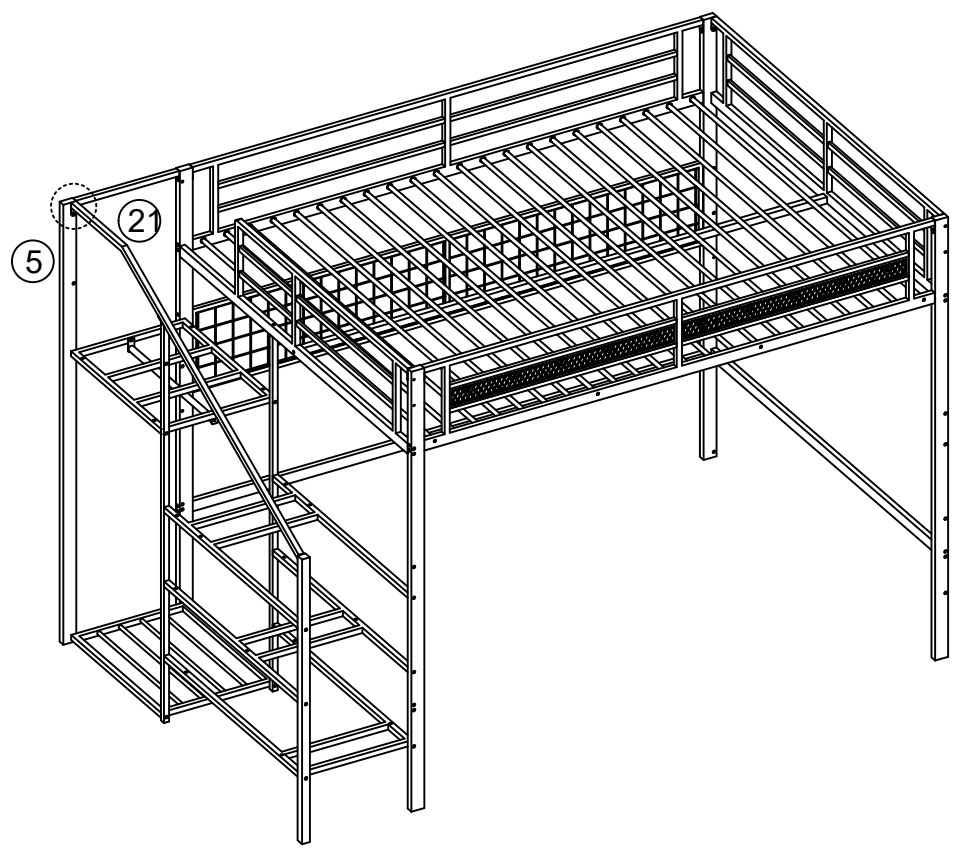
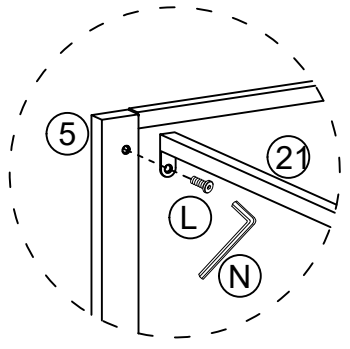
52

(C)		M8×45	3
(O)		M5	1





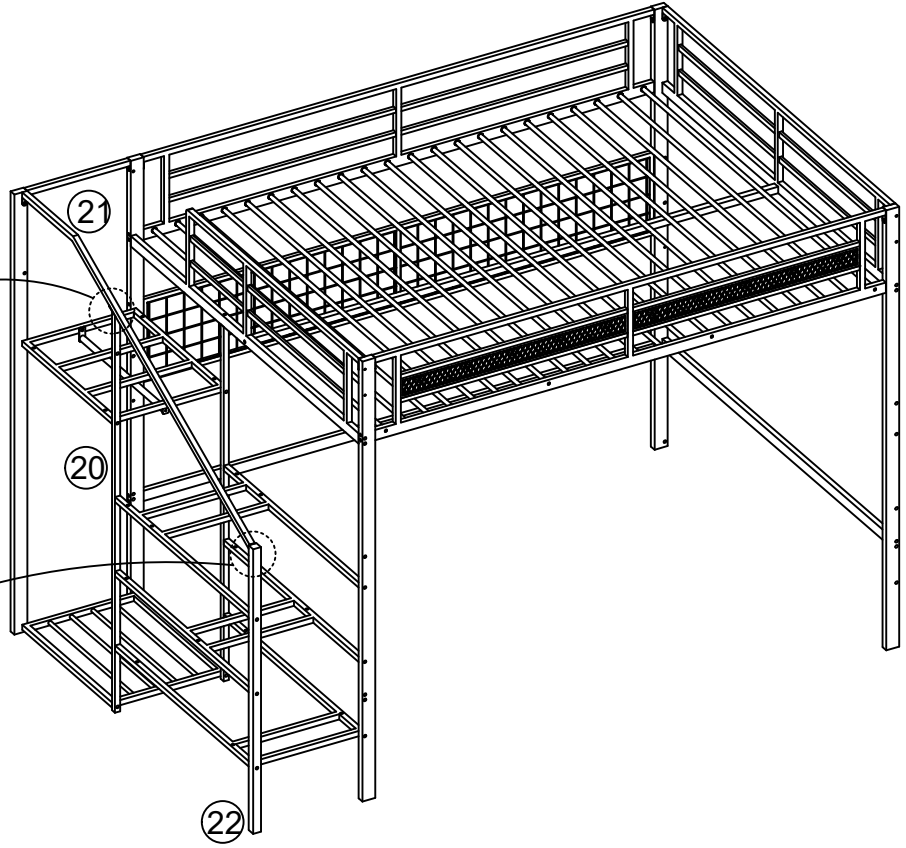
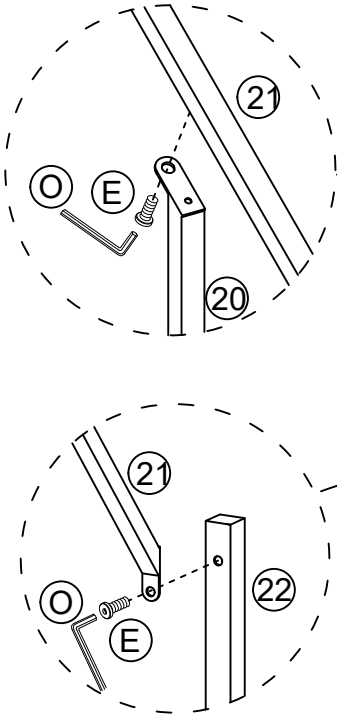
53

(L)		M6×15	1
(N)		M4	1





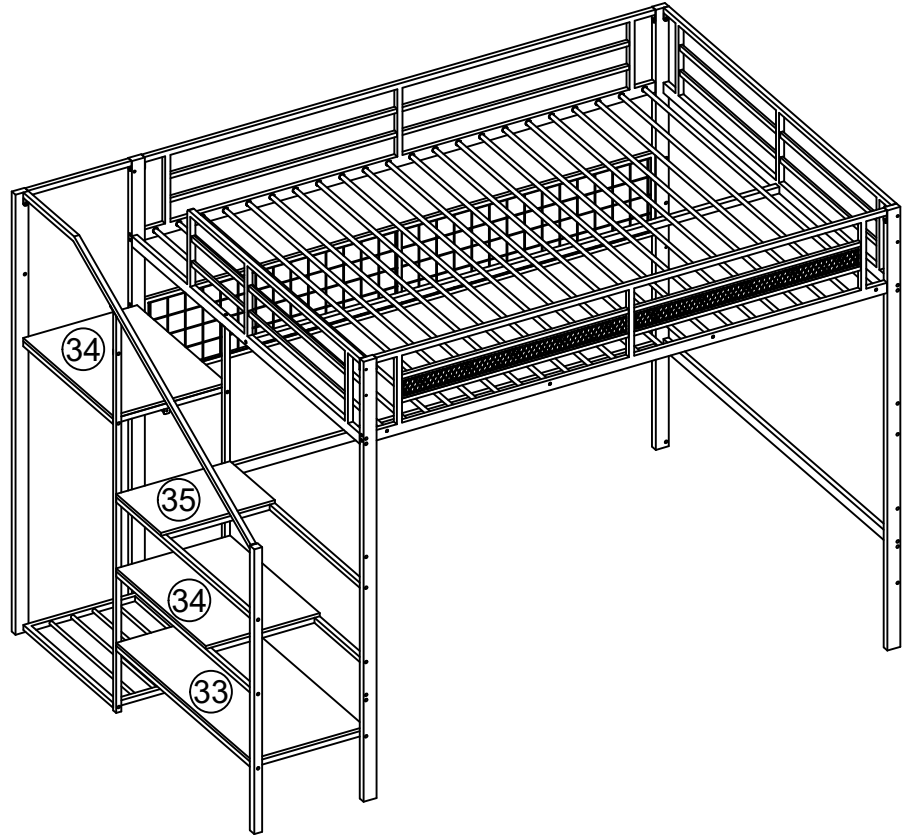
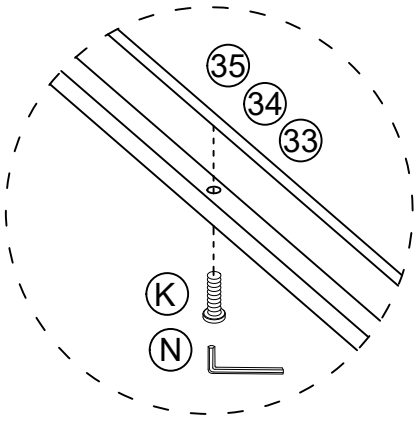
54

(E)		M8x20	2
(O)		M5	1

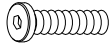



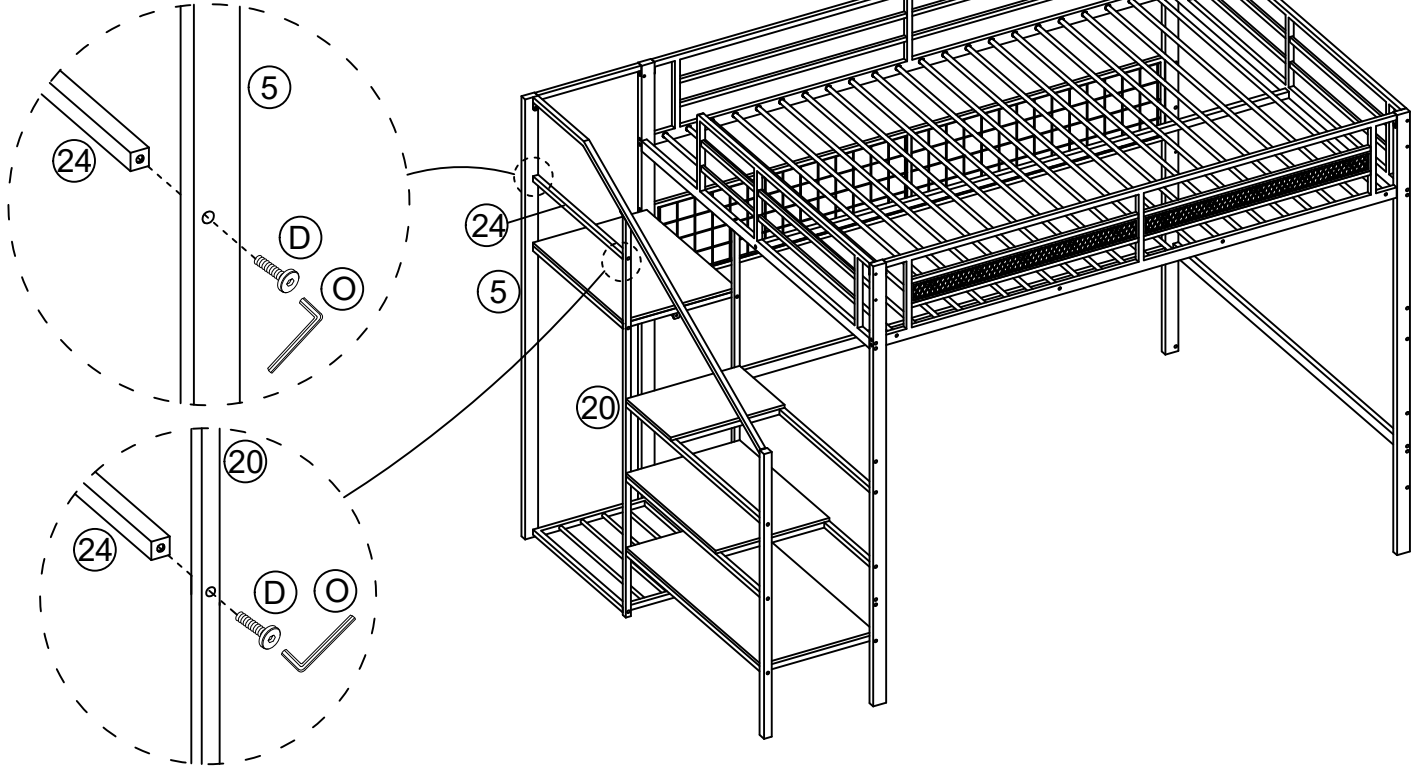
55

(K)		M6x28	16
(N)		M4	1

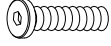



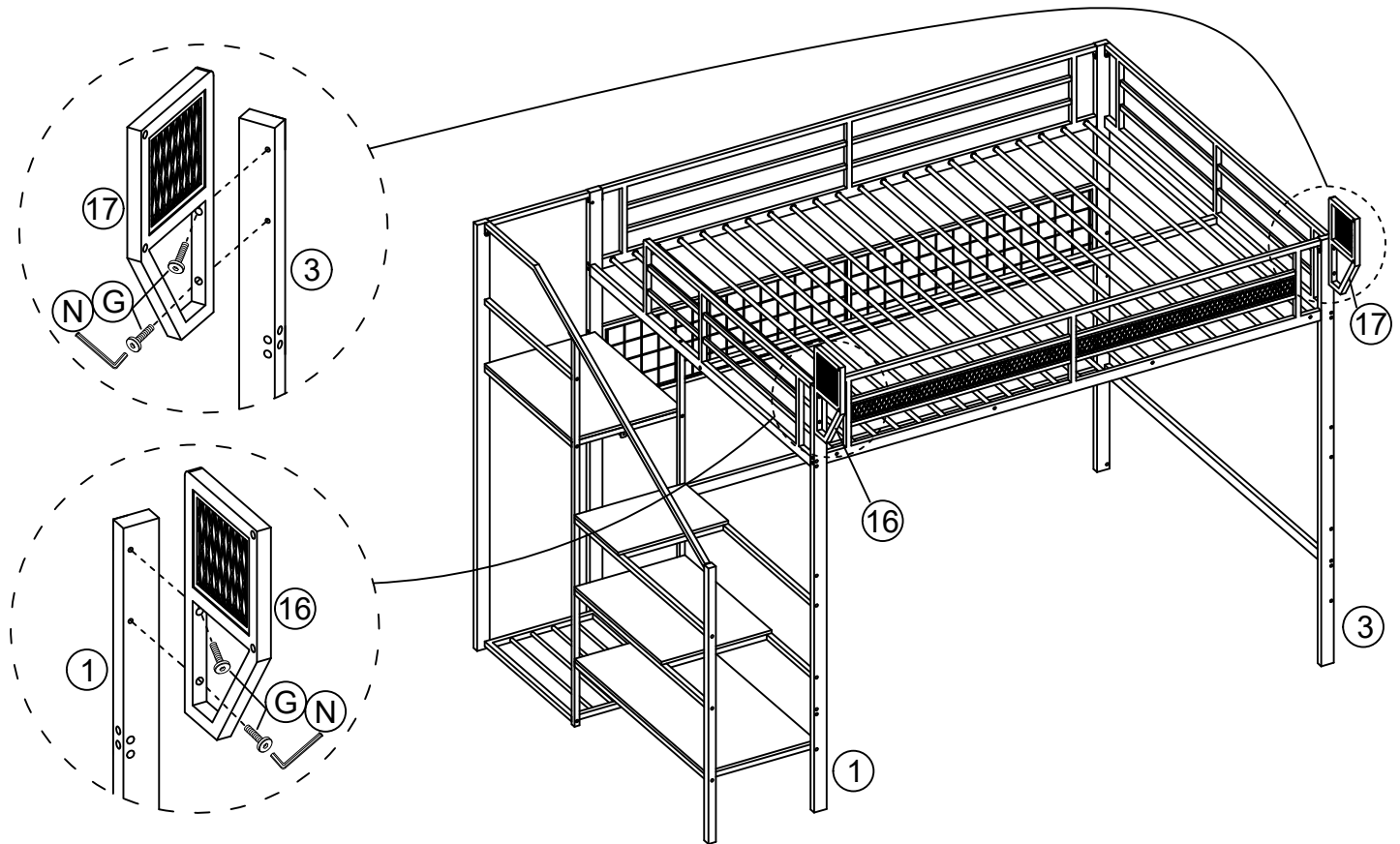
56

(D)		M8×35	2
(O)		M5	1


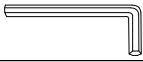



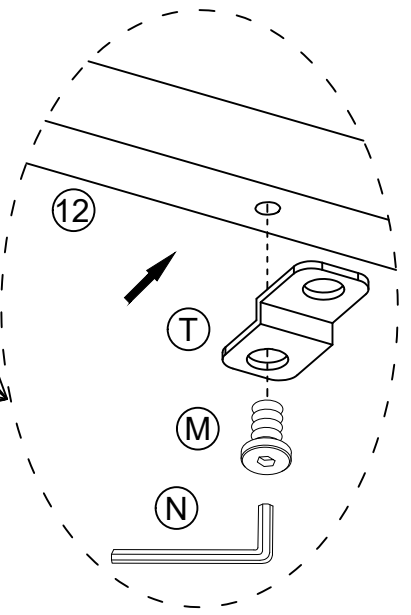
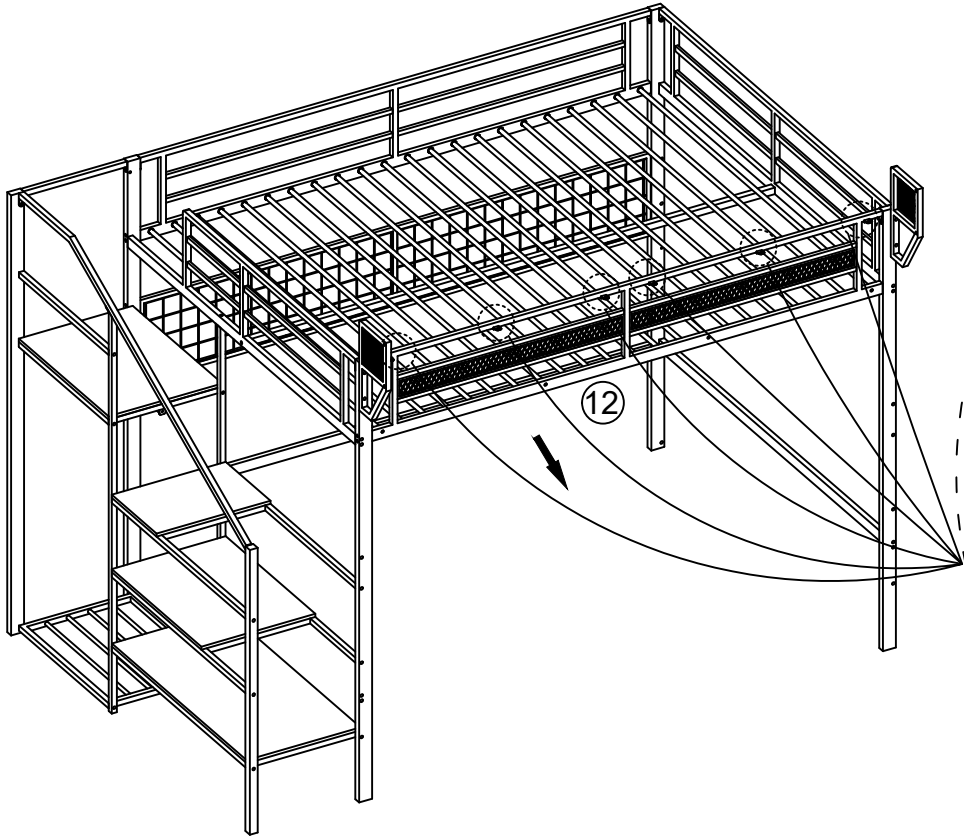
57

(G)		M6×35	4
(N)		M4	1

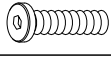



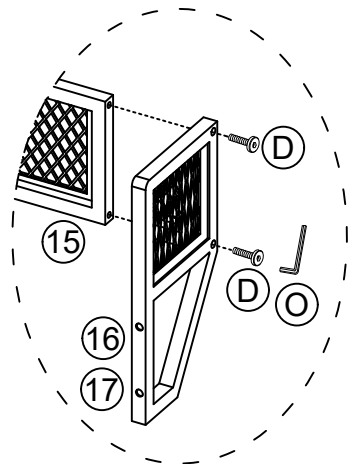
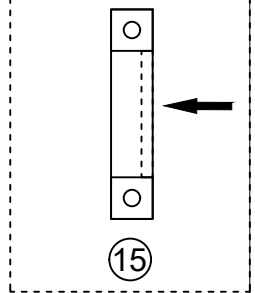
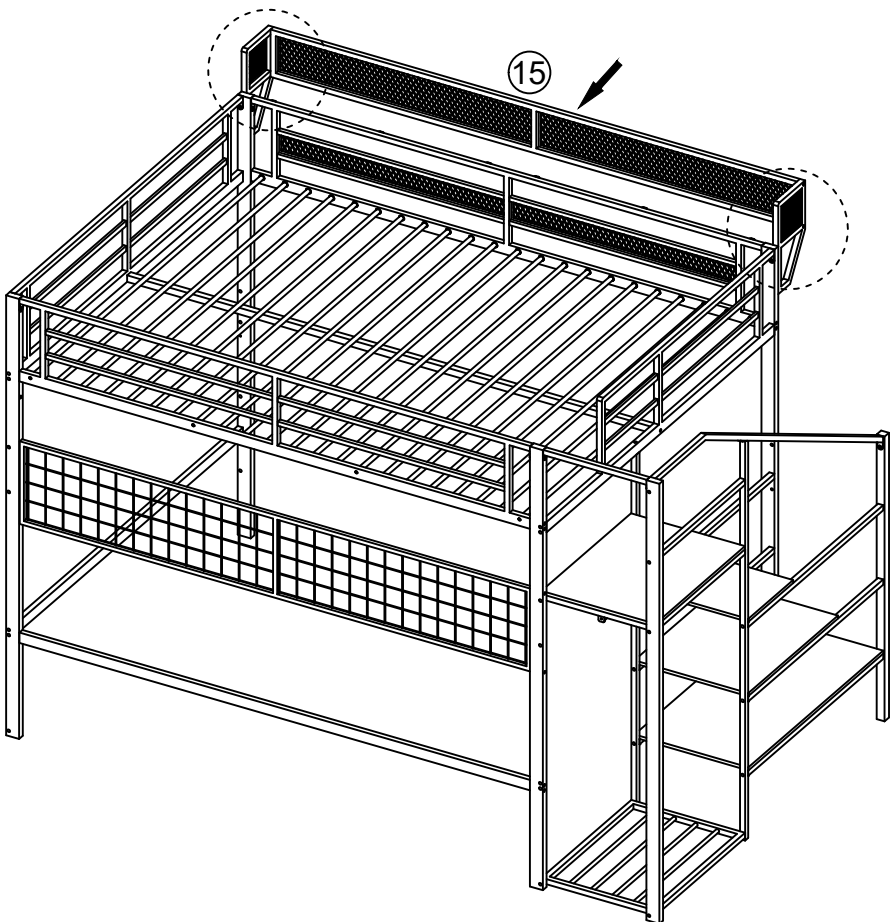
58

(M)		M6×12	6
(N)		M4	1
(T)			6

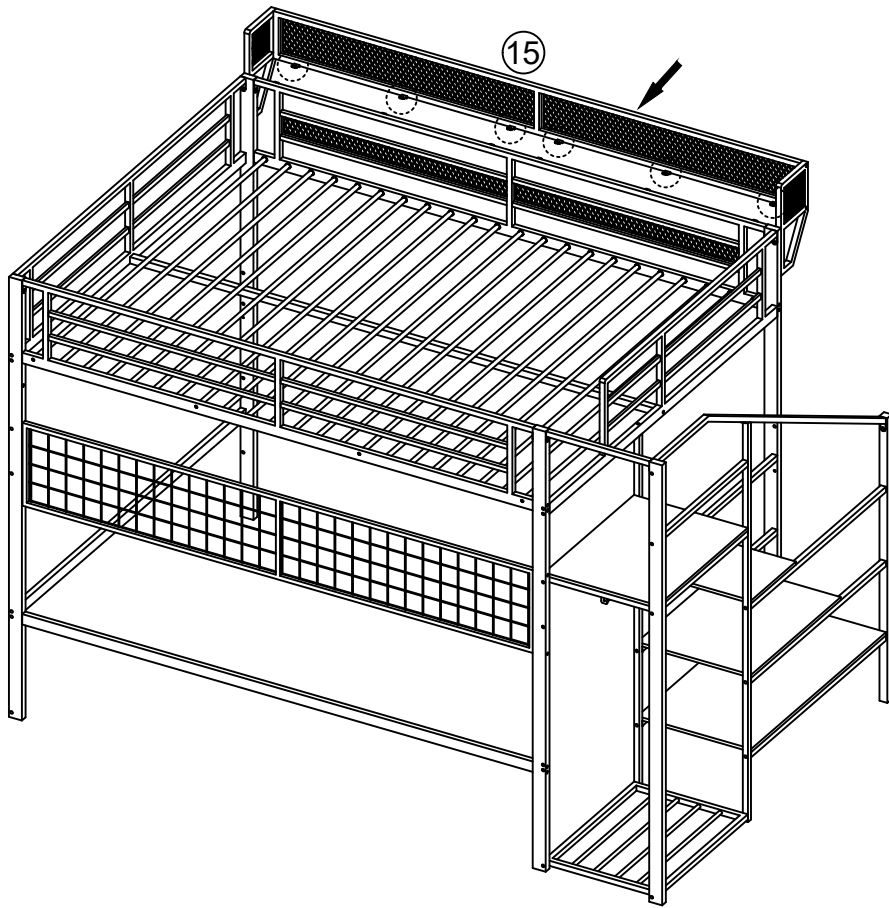



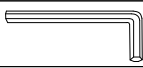

59

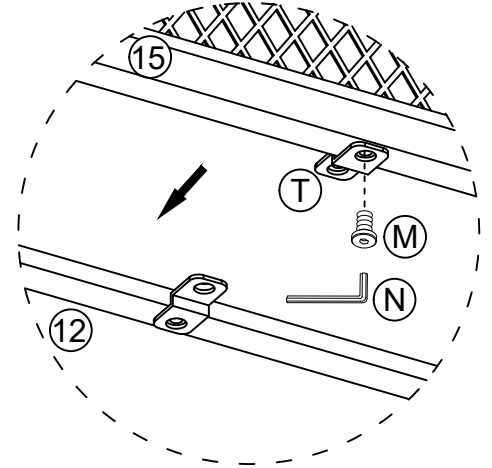
(D)		M8×35	4
(O)		M5	1



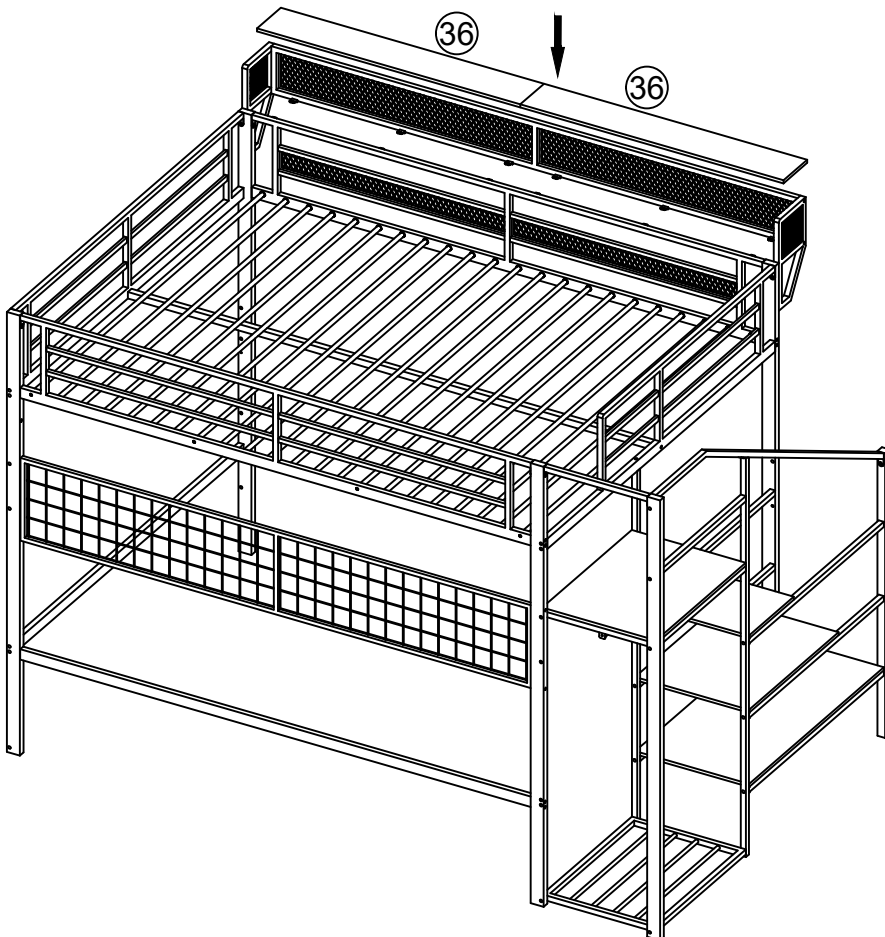
60

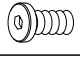
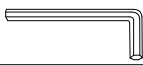


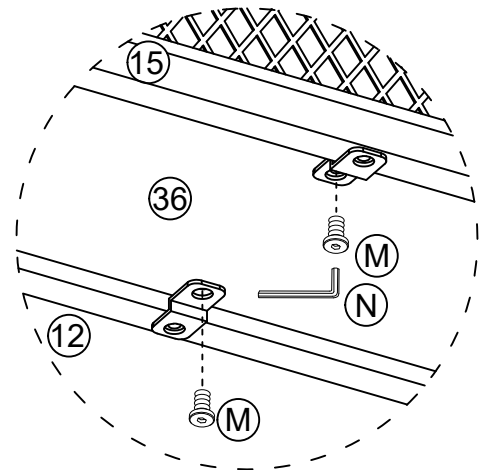
(M)		M6×12	6
(N)		M4	1
(T)			6





61

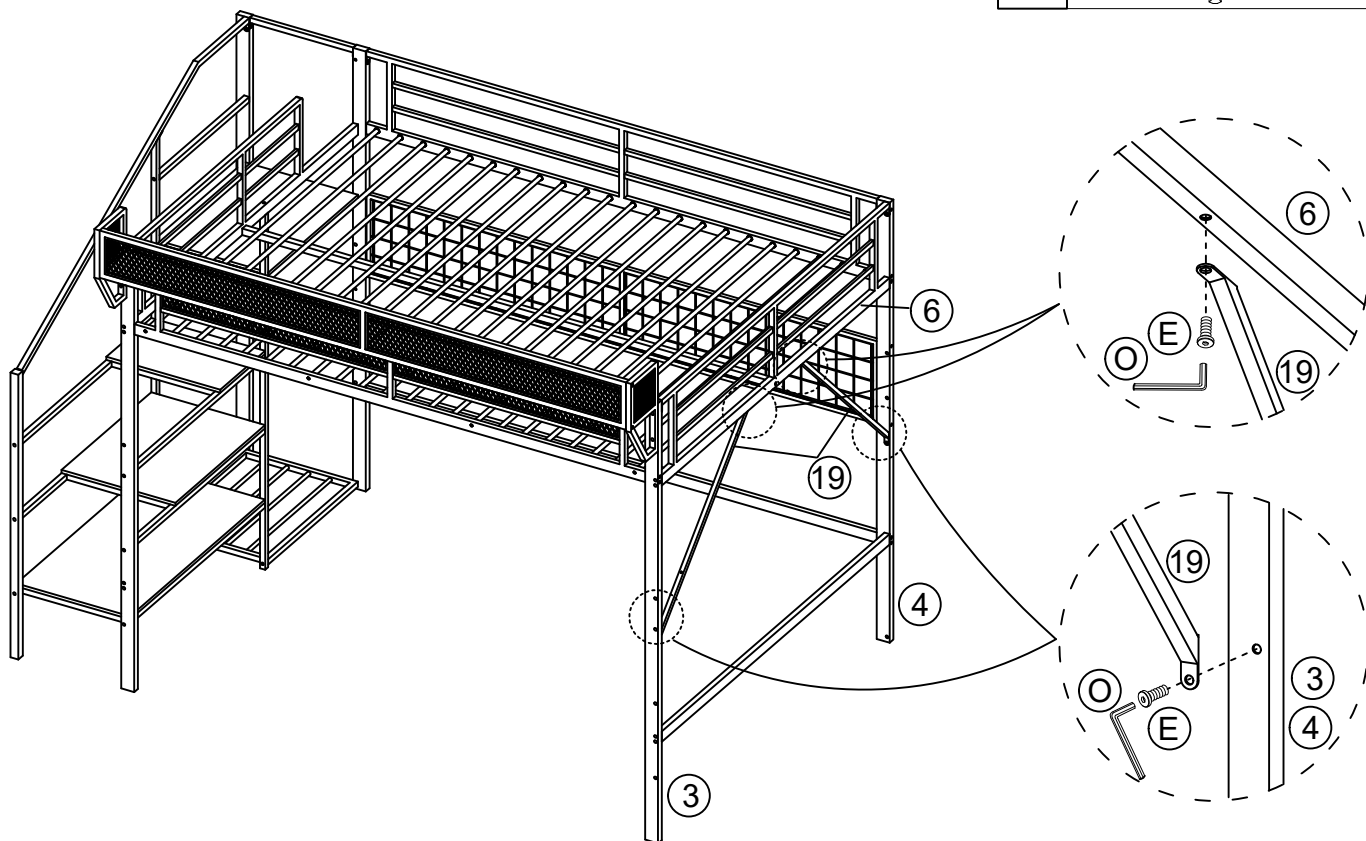


(M)		M6×12	12
(N)		M4	1






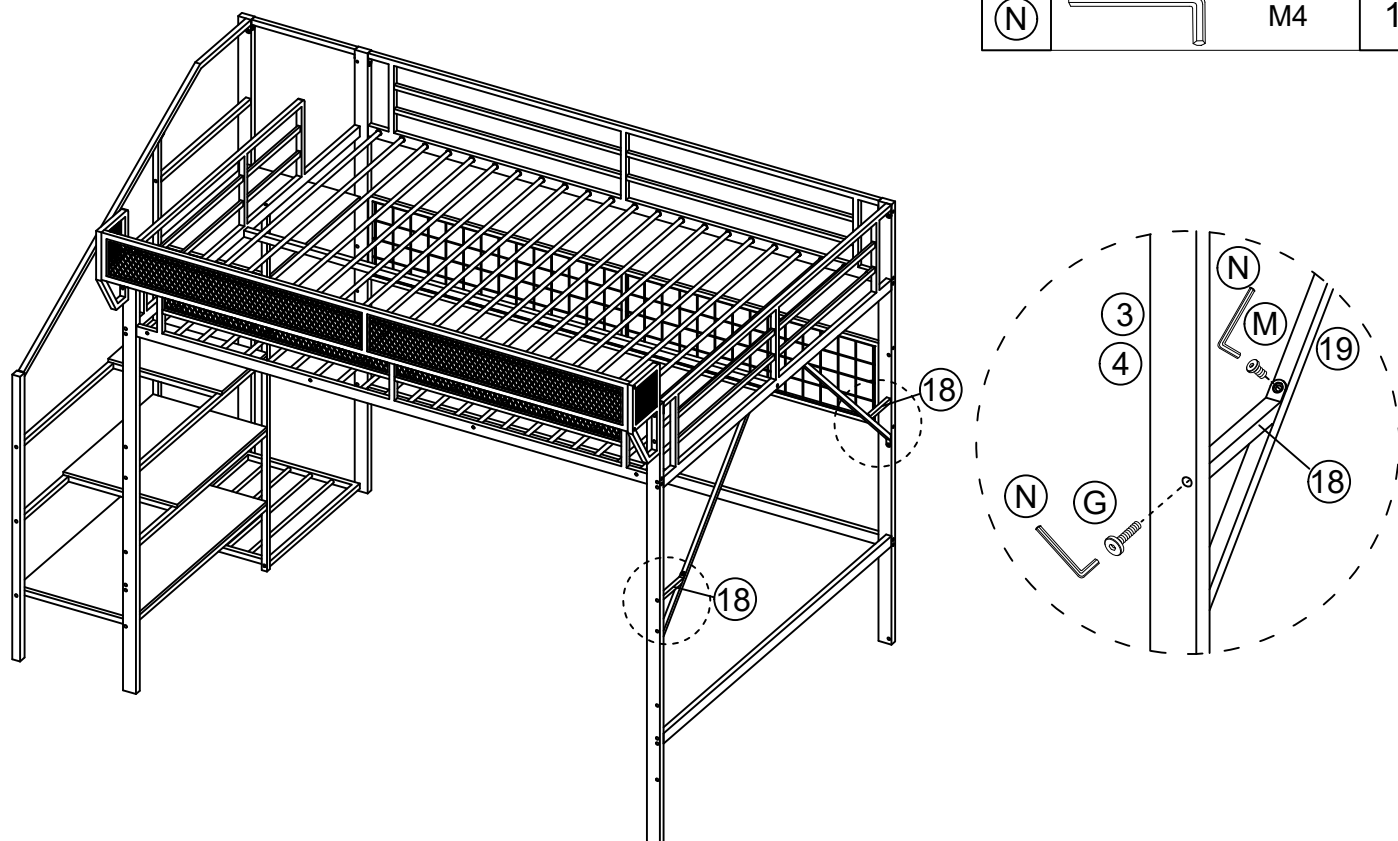
62

(E)		M8×20	4
(O)		M5	1


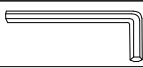


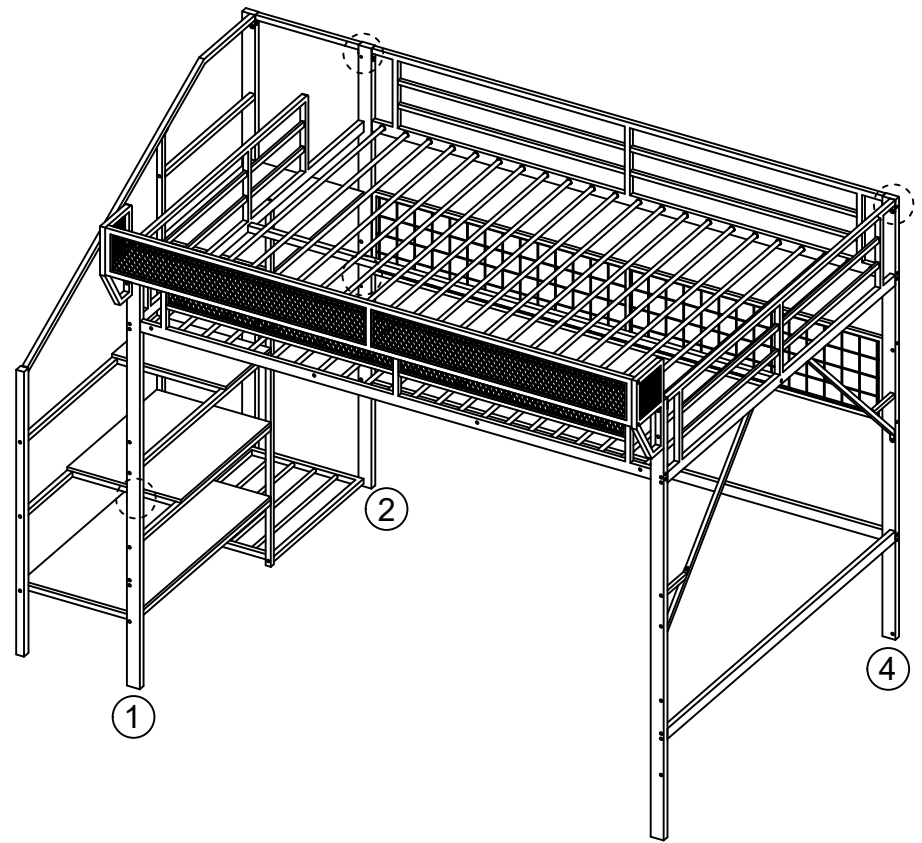
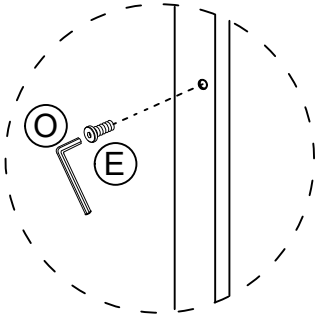
63

(G)		M6×35	2
(M)		M6×12	2
(N)		M4	1




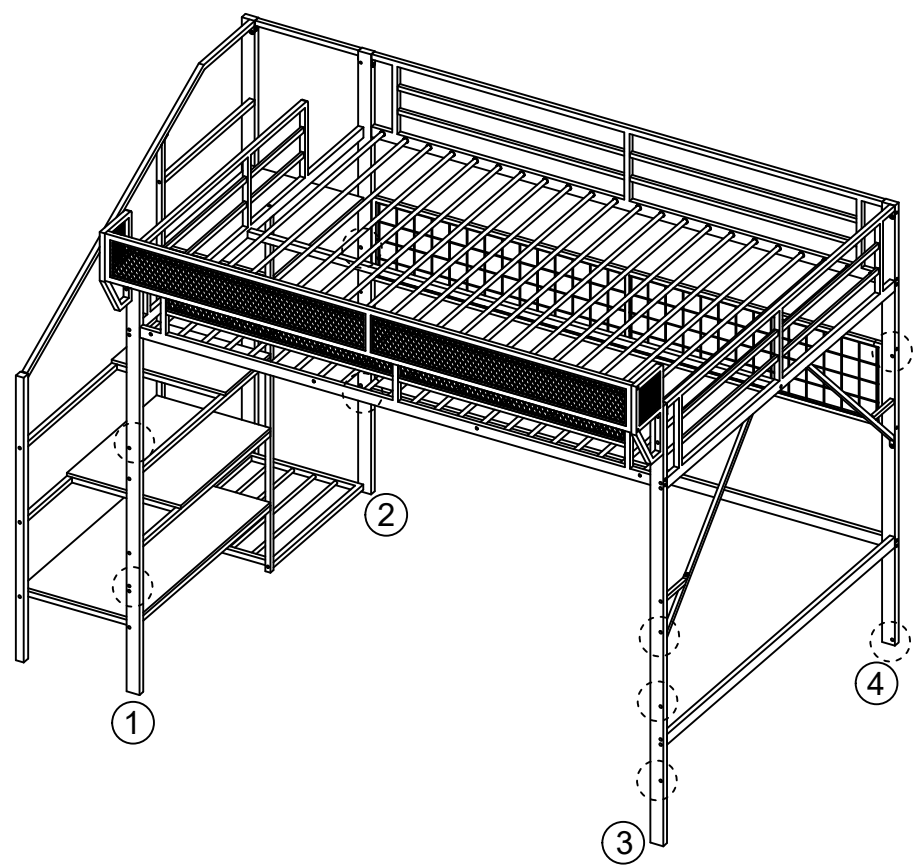
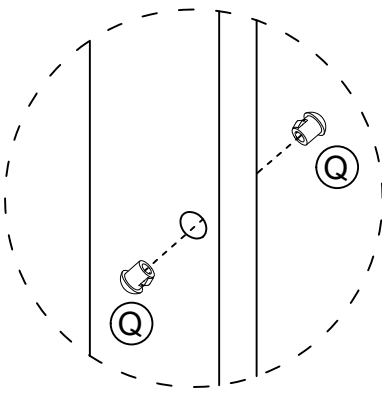
64

(E)		M8x20	4
(O)		M5	1


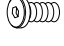
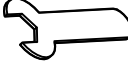
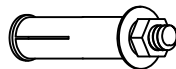
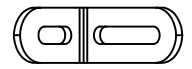



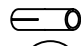



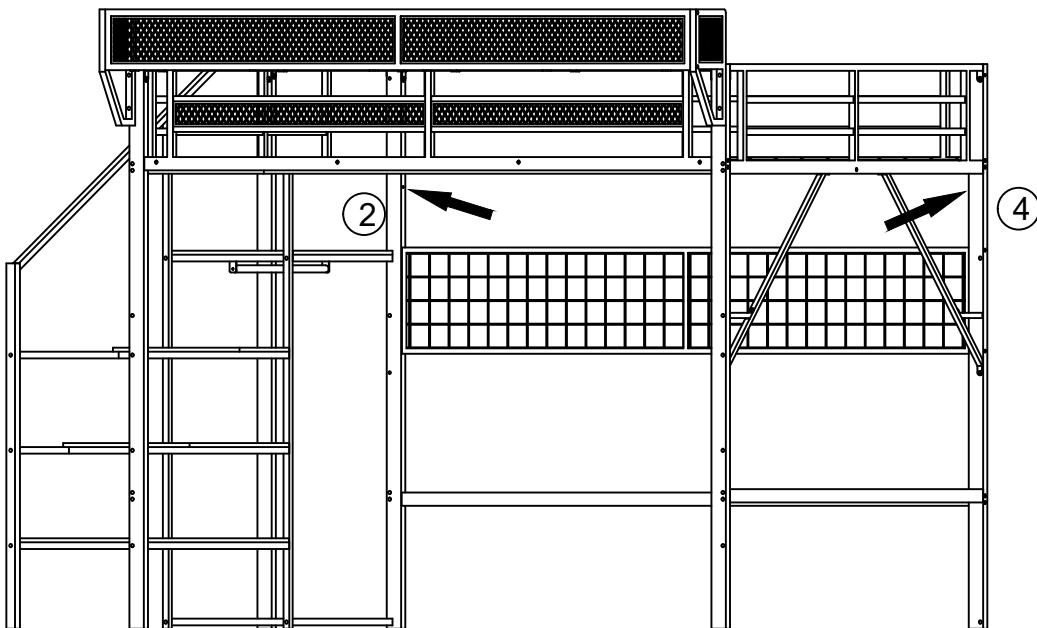
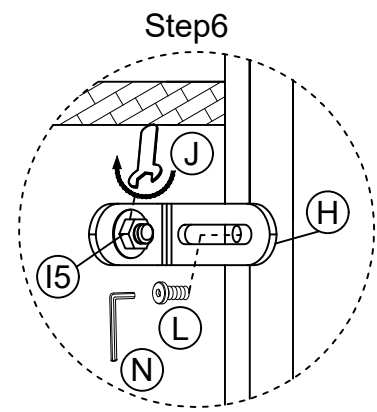
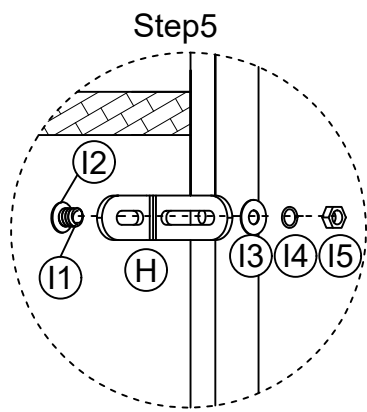
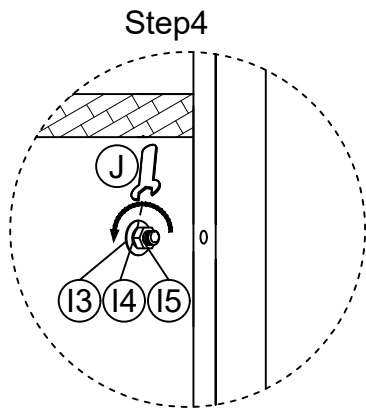
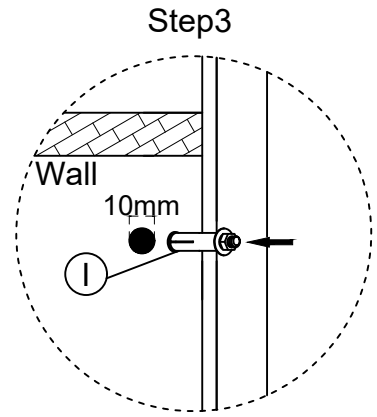
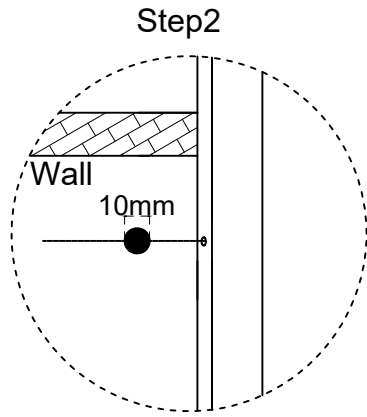
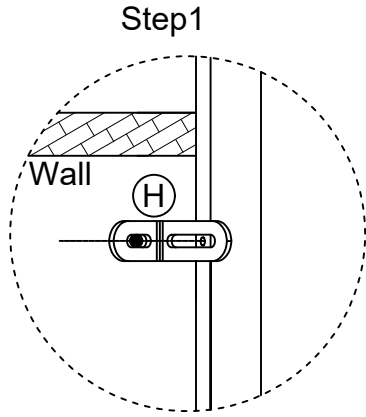
65

(Q)		22
-----	---	----

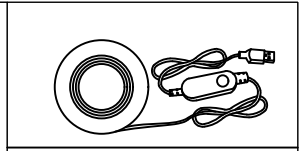
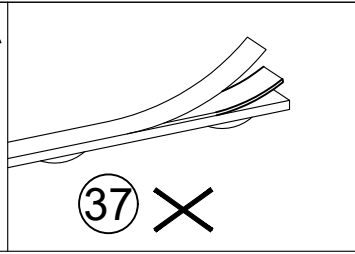
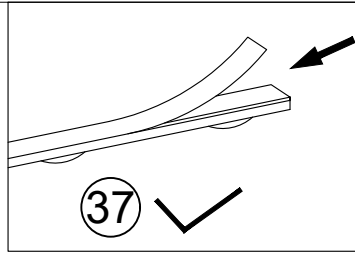


66

 M4	 M6x15mm			
(N) x 1PC	(L) x 2PCS	(J) x 1PC	(I) x 2PCS	(H) x 2PCS
		 (15)	 (14)	 (13)
			 (12)	 (11)



67



37 × 1PC

