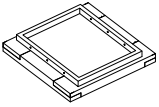
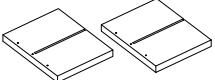
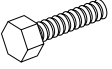
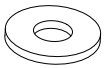

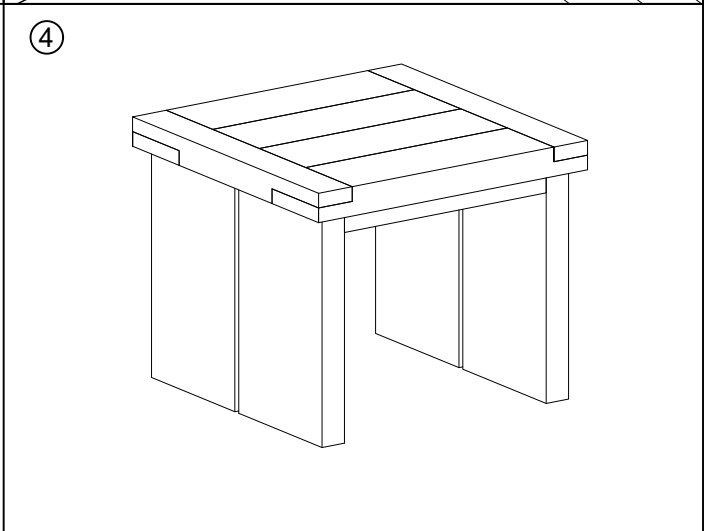
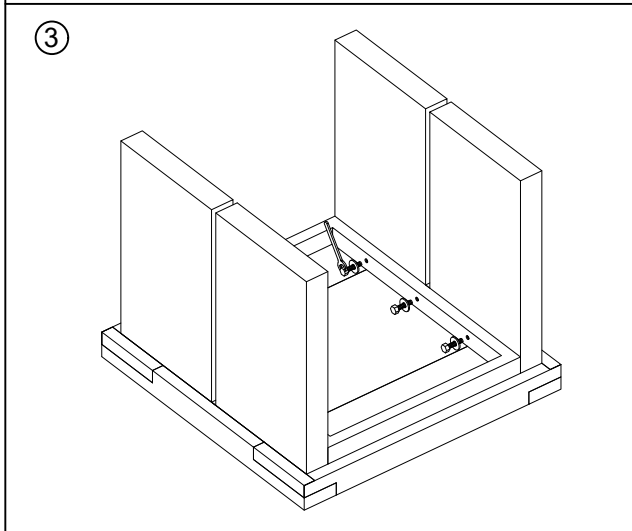
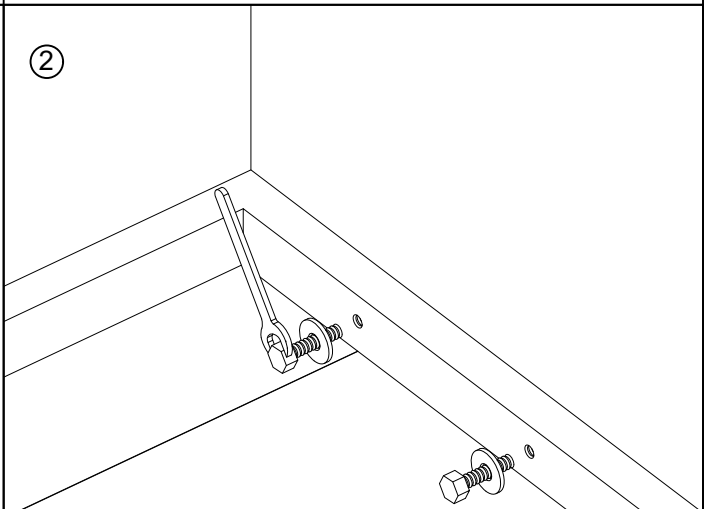
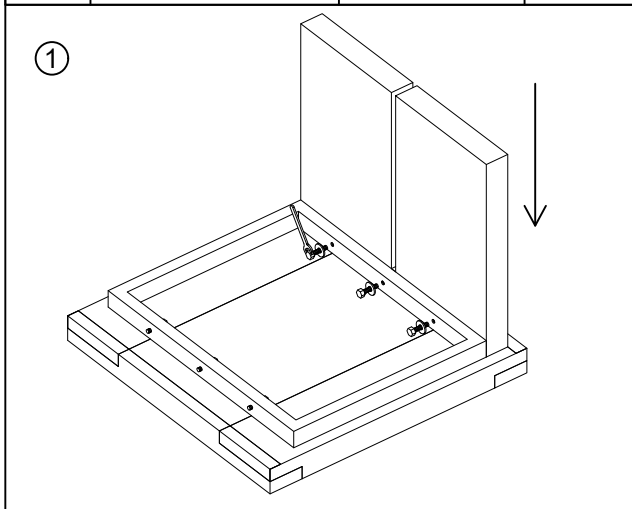
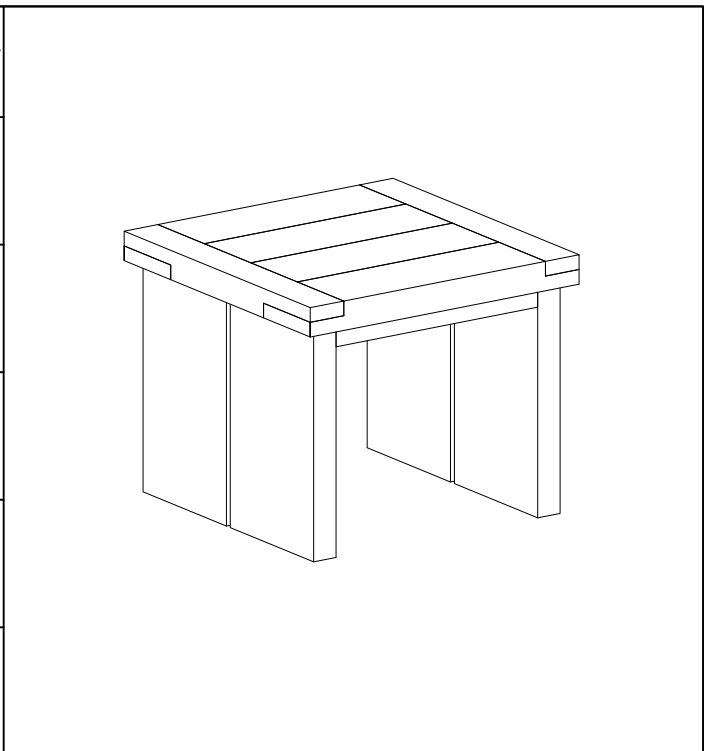


Assembly Instruction
Product Description: End Table

Hardware and Component List:

No.	Hardware/Component List	Quantity
1	 Top	01
2	 Leg	02
3	 Hexa Bolt	06
4	 Washer	06
5	 Spanner	01



CAUTION: Please do not over tighten bolts.