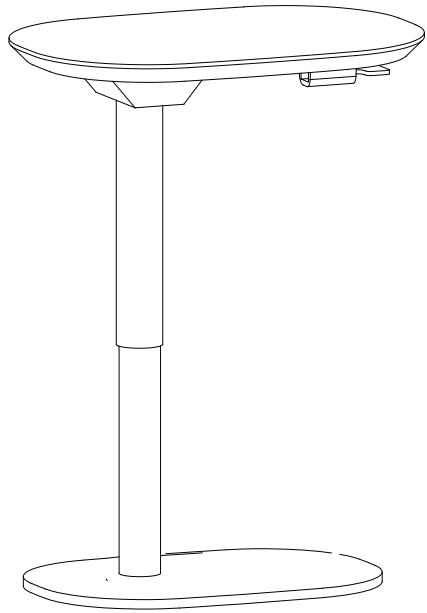







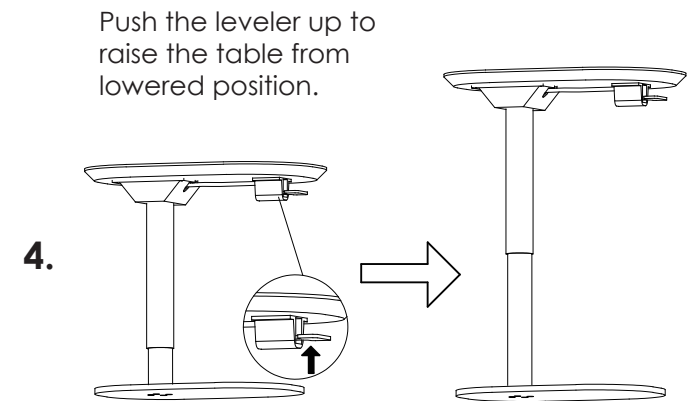
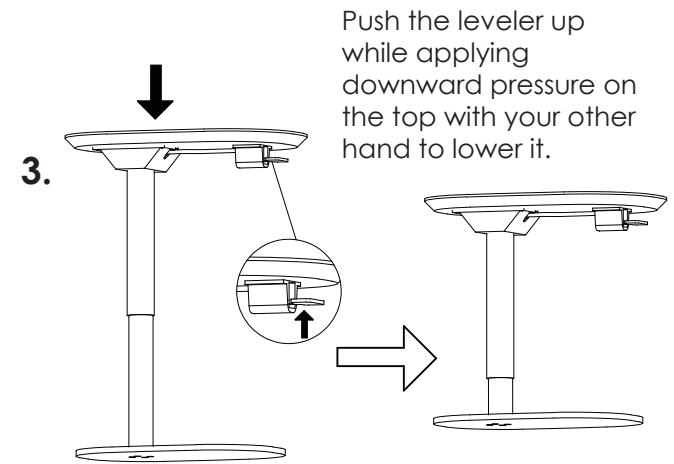
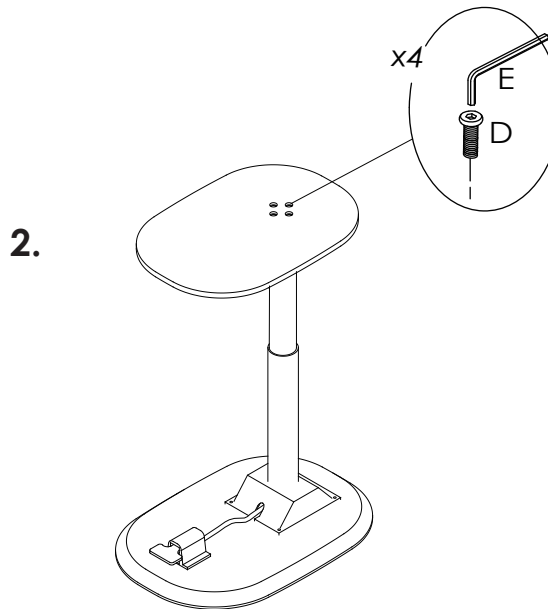
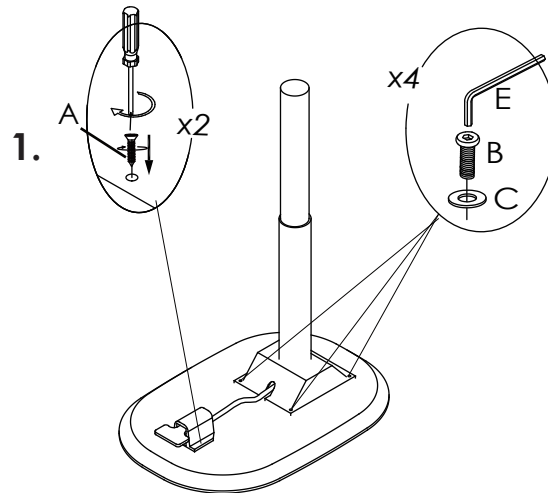
Assembly Instructions

SNELLA-20 ADJUSTABLE SIDE TABLE

PLEASE NOTE: Check that you have received all components and hardware before assembling. If you are missing any parts, contact your retailer.



-  A (2 pcs)
ø3.5 x 20mm
-  B (4 pcs)
ø6 x 15mm
-  C (4 pcs)
ø8 x 20mm
-  D (4 pcs)
ø6 x 35mm
-  E (1 pc)
M5



During assembly, hand tighten screws only. When the screws are in place, tighten completely.