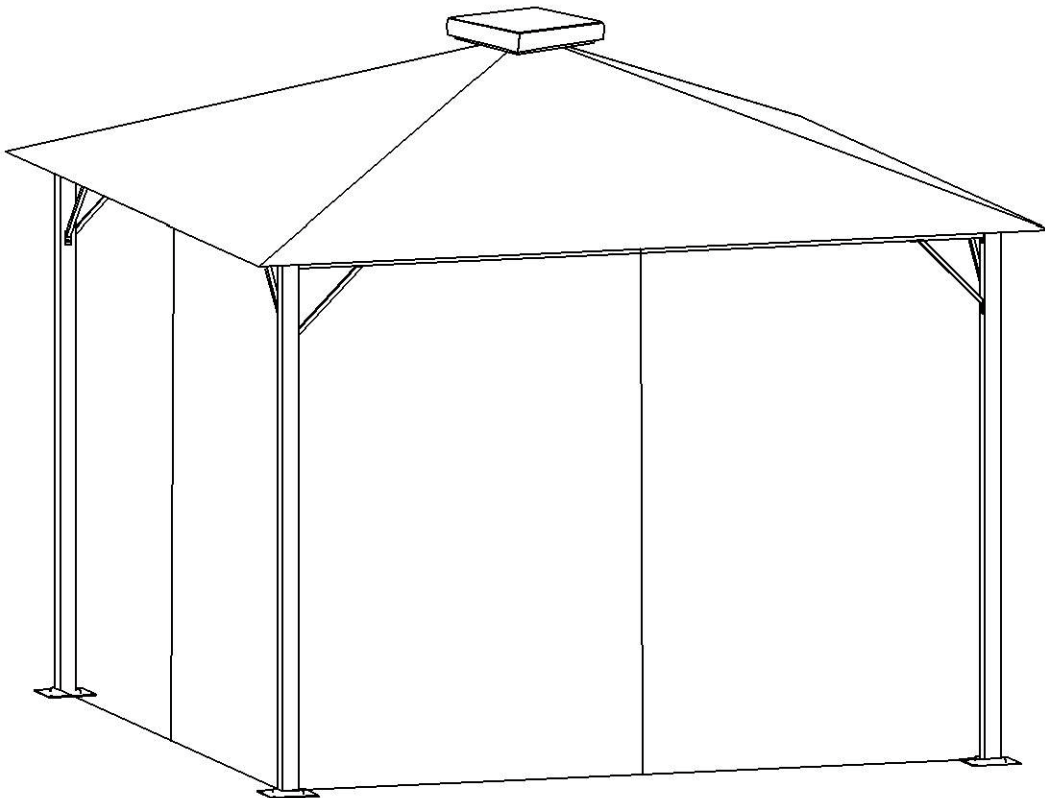


## INSTRUCTION MANUAL

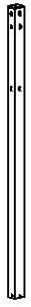
### 4 x 4M Solar LED Gazebo With Curtain

**Only use in appropriate weather conditions.  
In the case of gusts of the wind, storm, hail or when such  
conditions are forecasted, it must be dismantled.**



#### **Important Note:**

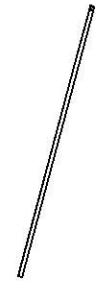
- 1. If the light does not work, it is most likely that the battery is very low. Please leave it in the sun for 4 hours or charge it with USB.**
- 2.If The remote control doesn't work, maybe the battery is dead, please change the battery in time.**



A\*4



B\*8



C\*3



D\*4



E\*1



F\*4



F1\*4



G\*8



H\*4



I\*1



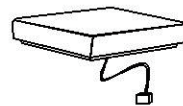
J\*8



K\*4



L\*8



M\*1



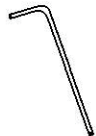
N\*1



O\*1



P\*1



Q\*12



R\*4



T\*4



M6\*15\*100

M6\*30\*8



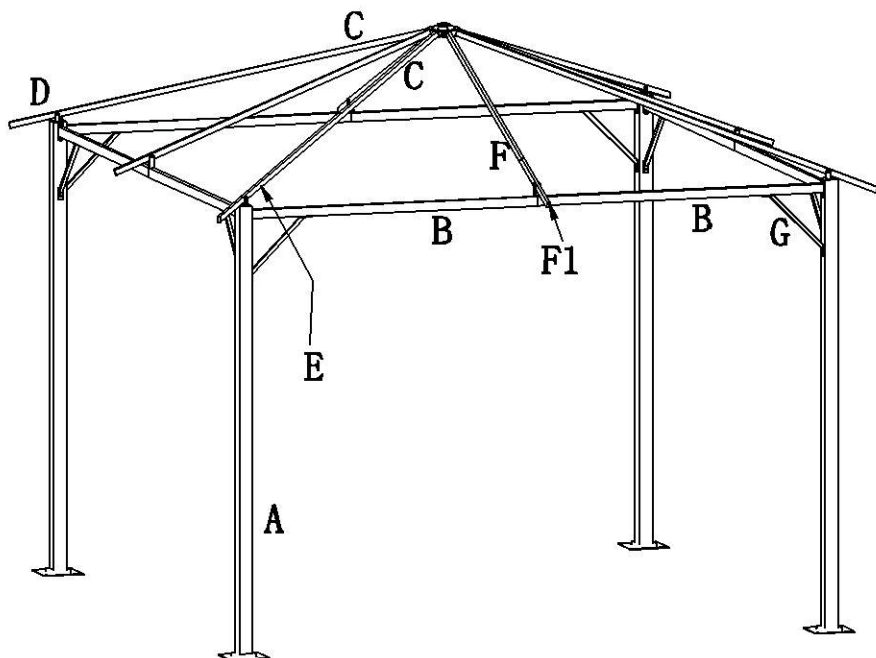
M6\*8



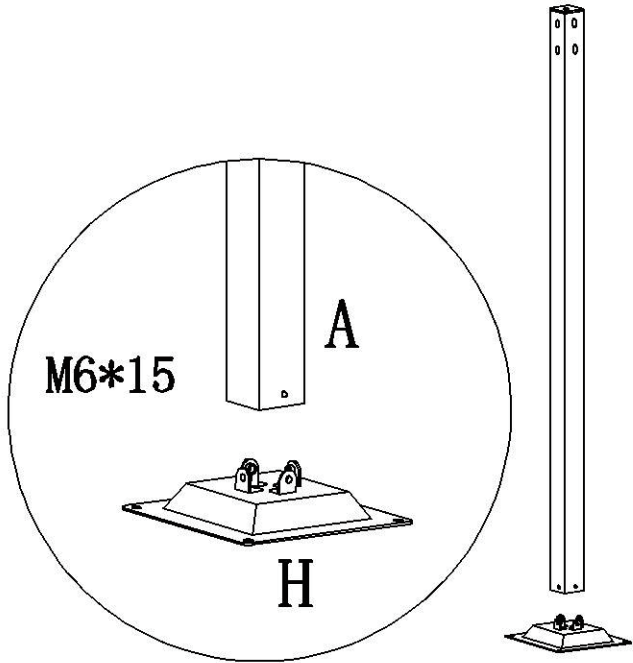
M5\*35\*8



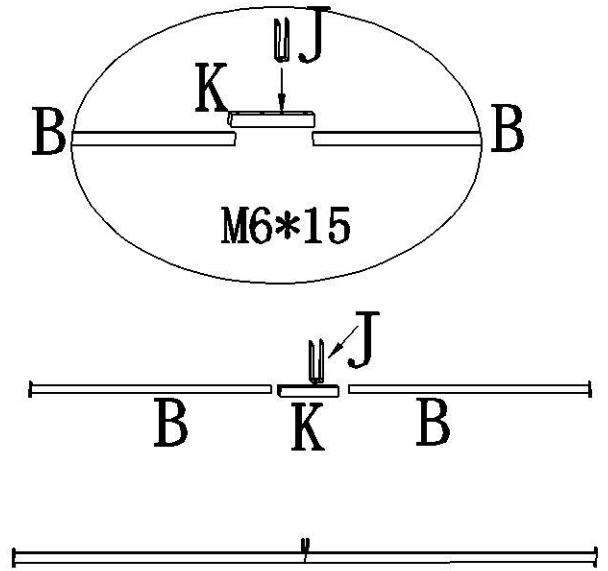
M5\*8



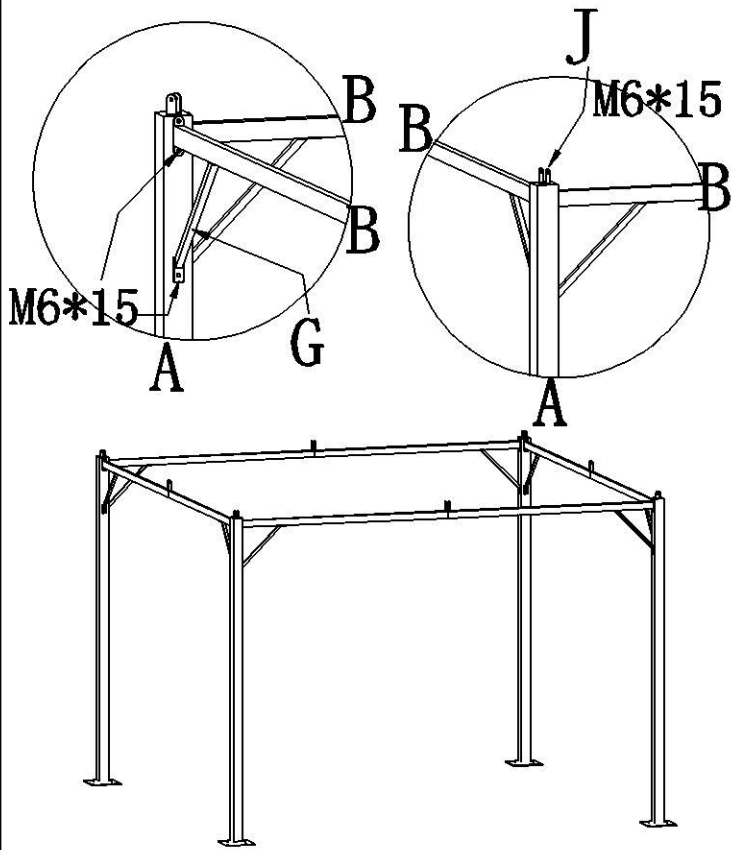
1



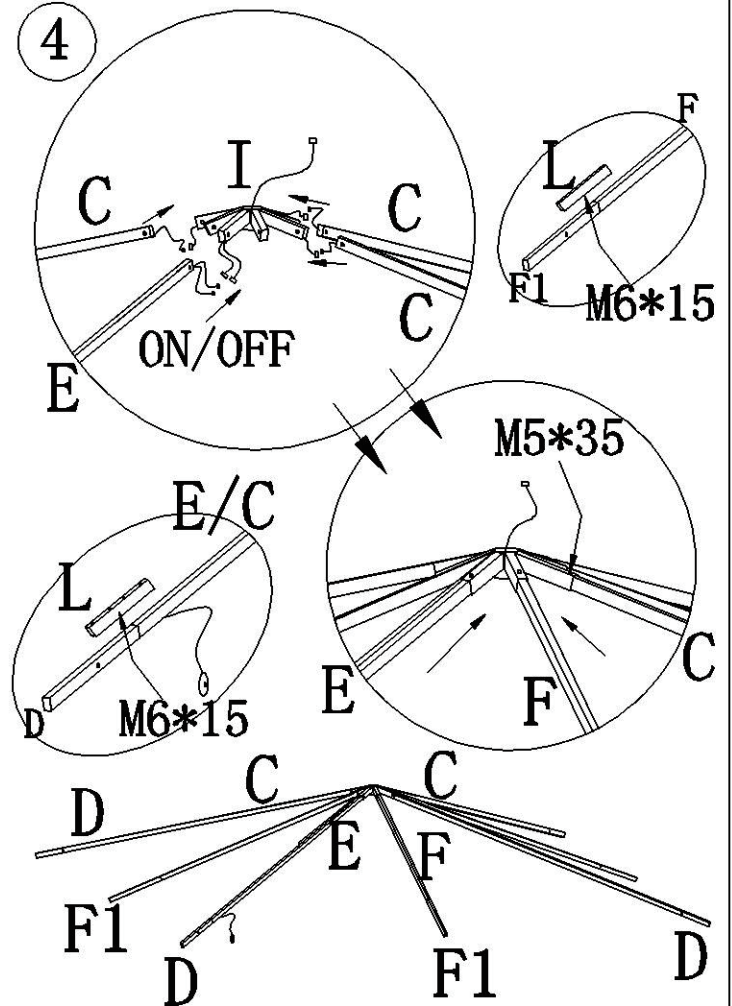
2



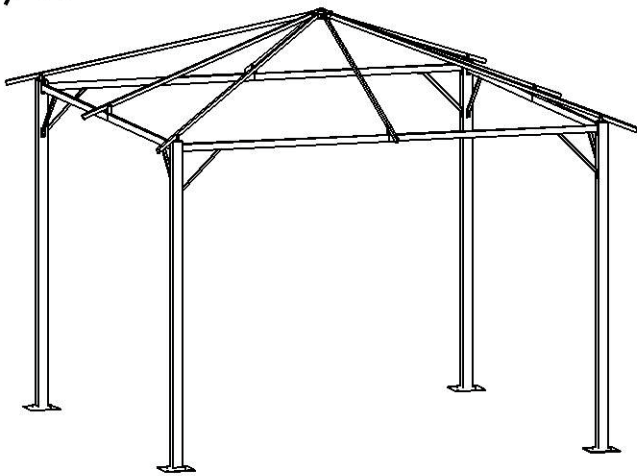
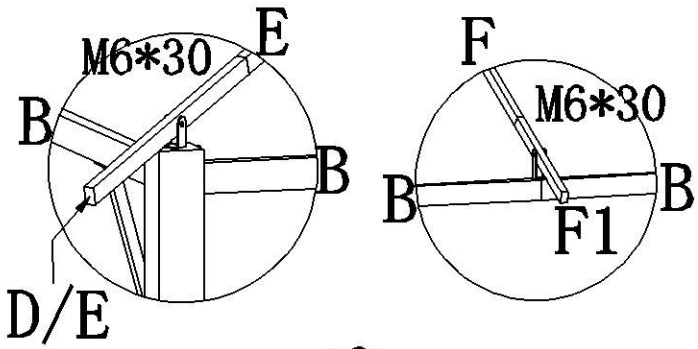
3



4

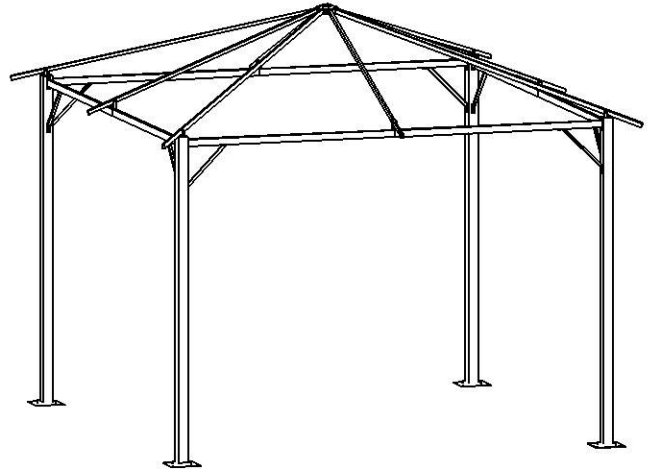
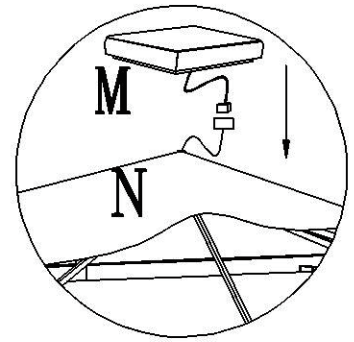


5

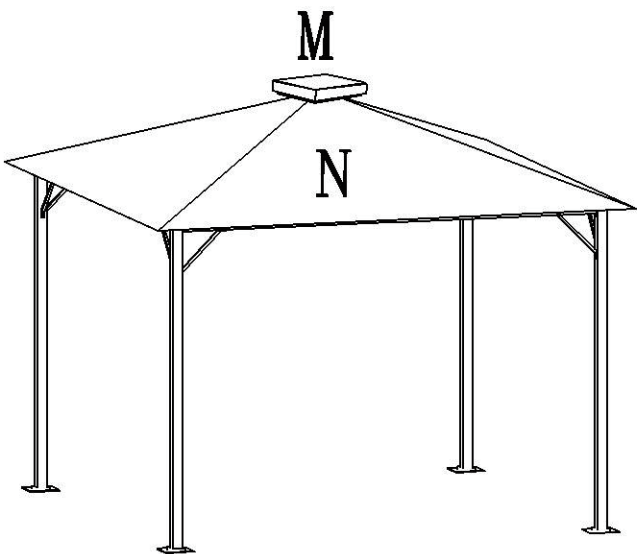


6

Insert the wire into the solar panel, then align it and rotate it gently.



7



8

