



Assembly Instructions

CUSTOMER CARE



**Congratulations
Happy shopping
Feel free to share with your friends or family
Thank you for your 5-star feedback and positive
reviews to help others
Good advice leads to the best service**



**We apologize for the bad shopping experience
Any defects, broken, missing pieces, delays or
accidents Please contact us as soon as possible
online email or official email are available**

lepplzian[®]

CONTENT:

- › Profile
- › Part list
- › Hardware List
- › Assembly Instruction
- › Product Parameters
- › User Manual
- › Fault Detection and Handling



NOTICE:

- › Basic precautions should always be followed when using this product. Please read all instructions before using the cabinet and retain the education for future reference.
- › Failure to observe all instructions and warnings may cause severe property damage or personal injuries.
- › Check the product and hardware accessories in the box; and confirm whether the instructions are complete.
- › When installing, please pay attention to the protection of the parts. The soft material must be placed under the product, and please carefully handle it to avoid surface damage.
- › After the assembly is completed, please adjust the placement position according to the actual situation.
- › Keep children away from cabinets, accessories, and installation tools. They are at risk of injury to the child.
- › Two people are recommended for assembly.
- › The wall plugs supplied are for use on solid walls only. For cavity walls or plasterboard use specialist fixings that are suitable for the type of wall construction.
- › To retain the best quality finish, clean product regularly with a soft damp cloth.
- › The max load of the cabinet is 10kg when fitted to a solid wall and 5kg when fitted to a cavity wall.
- › Risk of electric shock. Connect this furnishing to a properly grounded circuit only. See Grounding instructions
If you need the electronic manual, please contact our customer service to get it.



For reference only



Parts may vary.
(Optional)



Warning! Please take
special care.

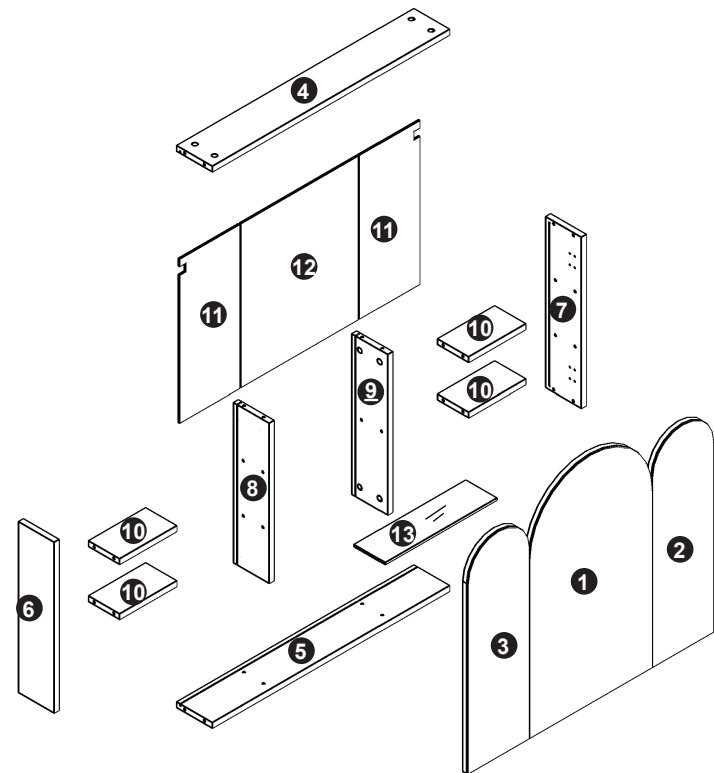
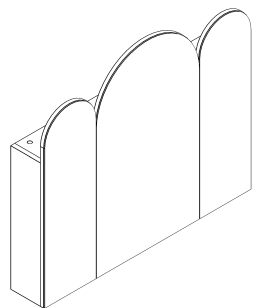
RETURN/DAMAGE CLAIM INSTRUCTIONS:

- › The product is shipped in a single carton box. If you haven't received the package or need to know the tracking of the package, get in touch with us immediately via message .
- › If the package is damaged, please get in touch with us from the very beginning. Attaching a damaged photo is appreciated.
- › The product accepts returns within 30 days without any reason. If you return this item for personal reasons, you must cover the return fee and order processing fee (0- 20% restocking fee based on the invoice price). We will cover the freight if the product has quality issues (not caused by humans).
- › Please keep the original box if you need to return the goods. Please use our return label and do not return it without permission.
- › If you return the product after 30 days of receiving it, we are afraid your return application won't be accepted. We appreciate your understanding.
- › Any damages, defects and parts missings during installation, pls contact us from the very beginning. Replacement, exchange and refund will be arranged ASAP except of personal reasons.

Part List



Open the package, and put the item on the mat with care. Please install it carefully to ensure your fingers will not be scratched.



Hardware List

A



M6*40mm
×16 (+2)

B



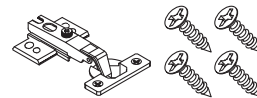
φ15*12mm
×16 (+2)

C



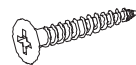
M3.5*12mm
×12 (+2)

E2



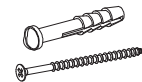
×6

D



M4*30mm
×4

F



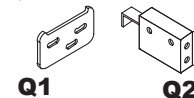
M5*50mm
×4

G



×4 (+2)

Q



Q1

Q2

×2

T



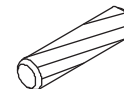
×16 (+2)

P



×16 (+2)

K



M8*40mm
×16 (+2)

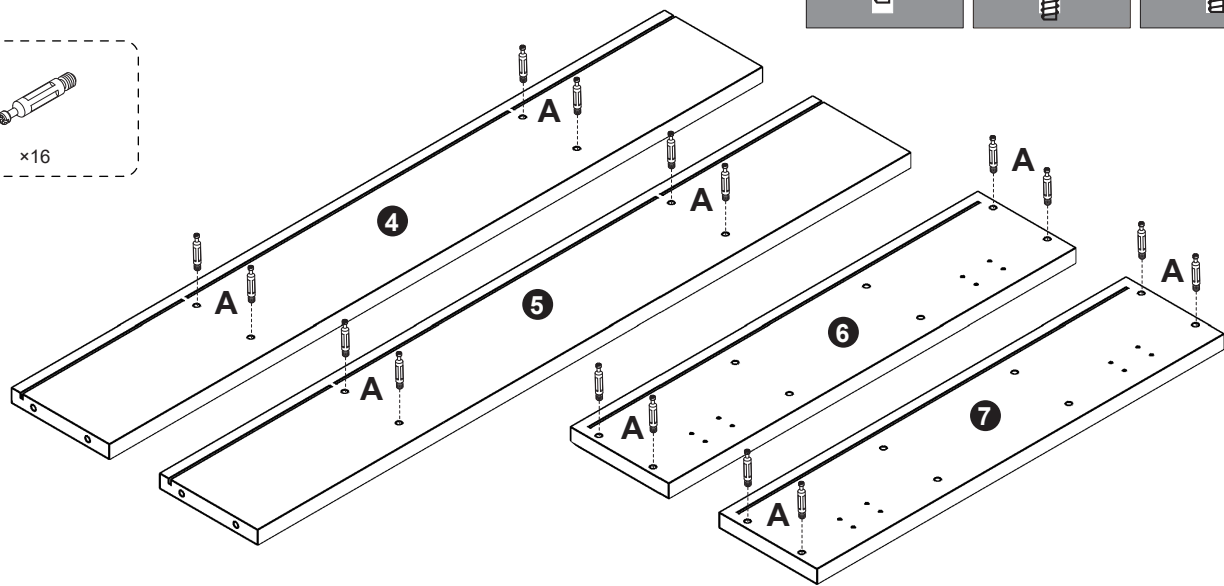
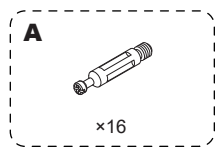
Extra white cam



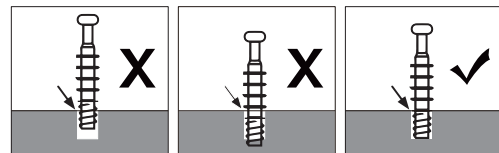
×2

Start...

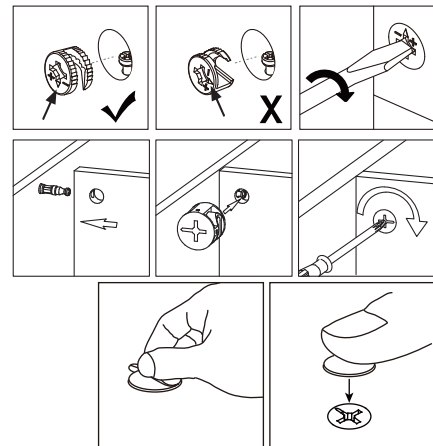
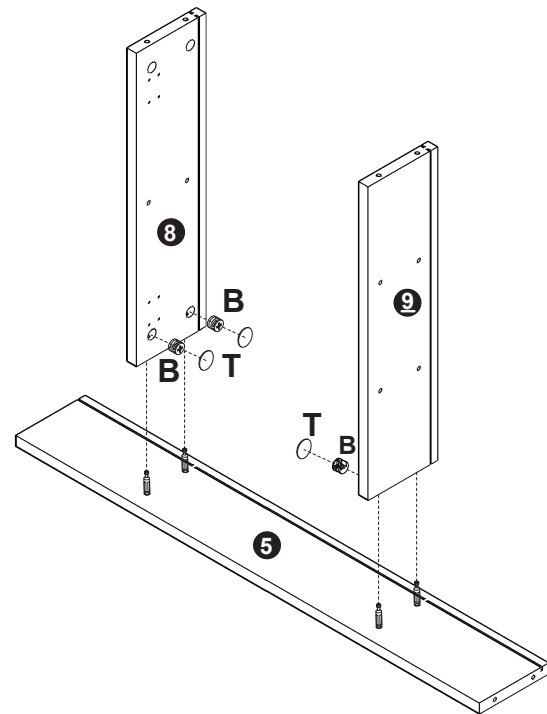
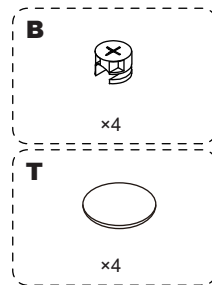
| Step1



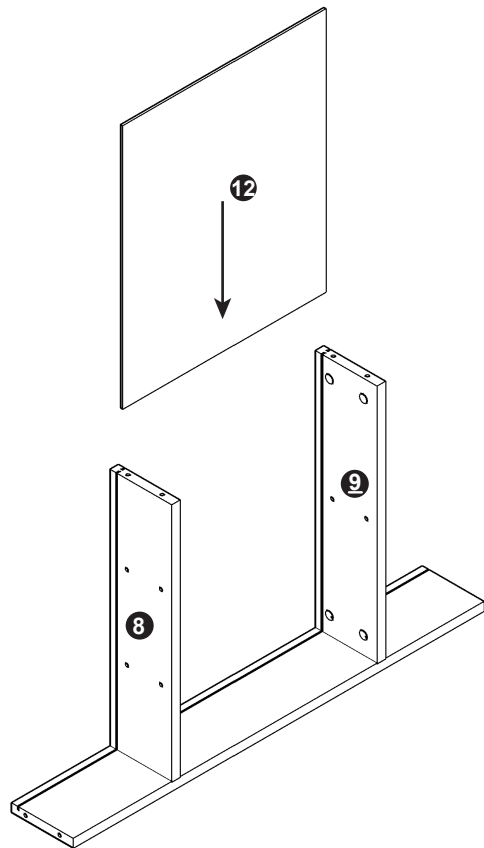
Installation method of three in one bolt



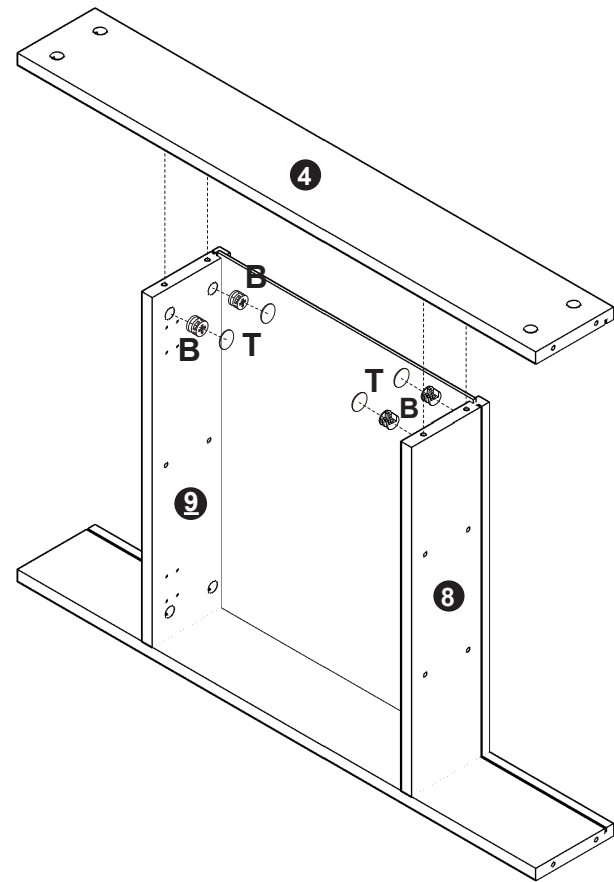
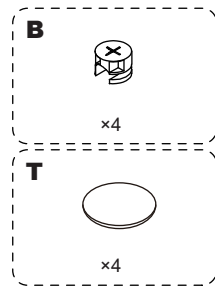
| Step2



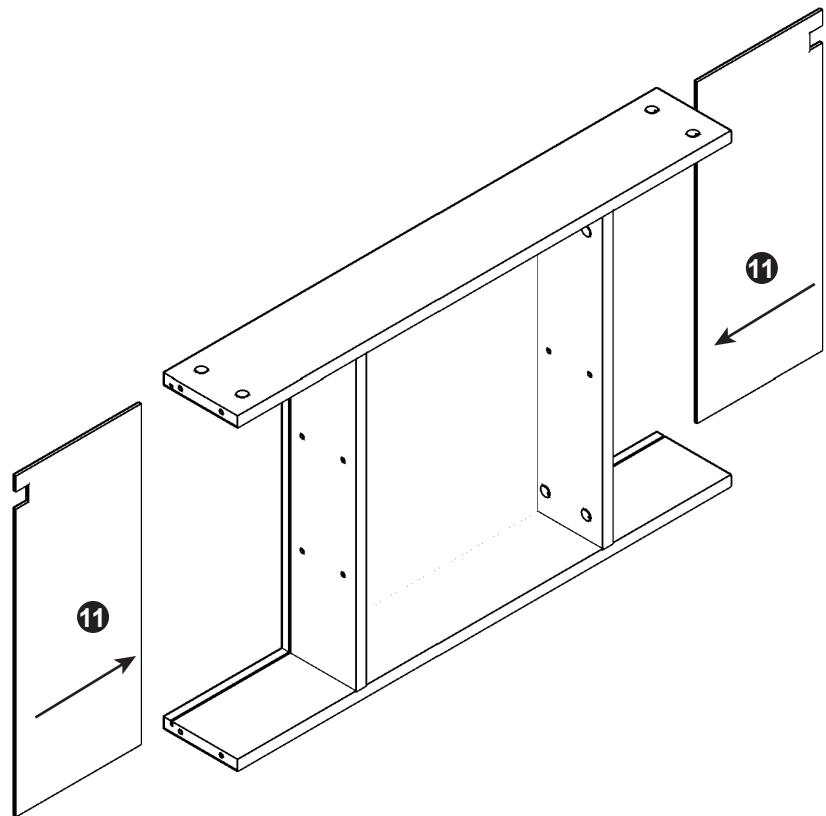
| Step3



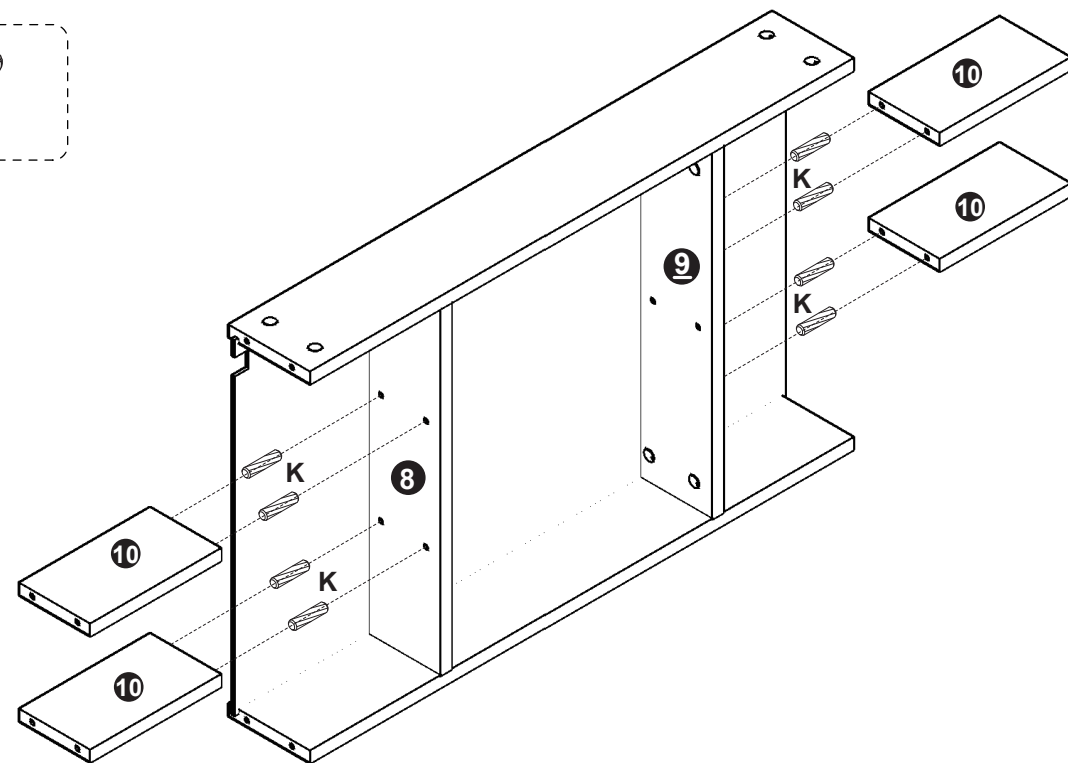
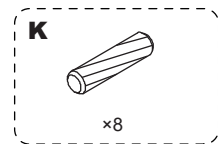
| Step4



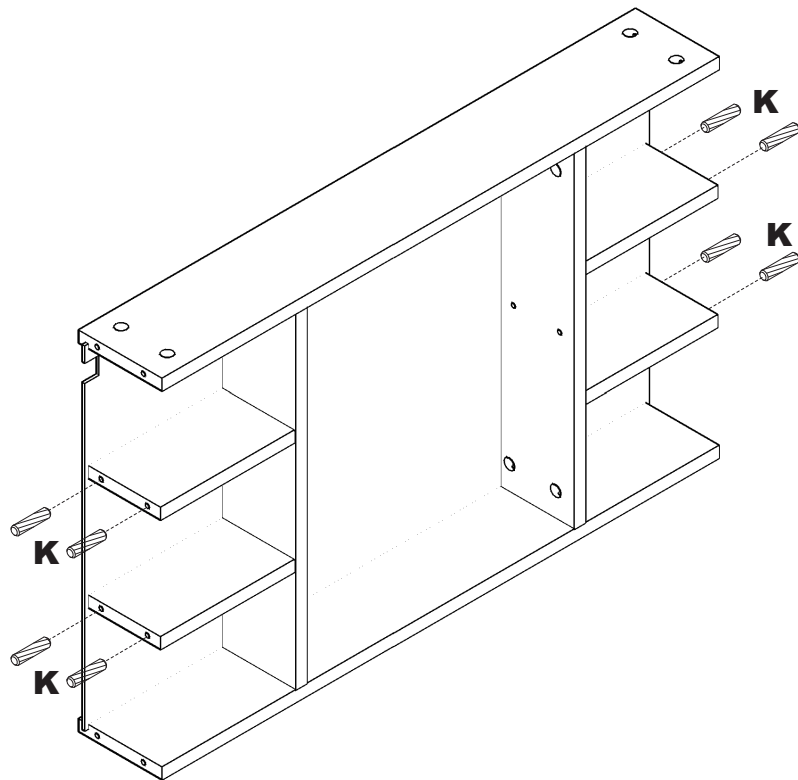
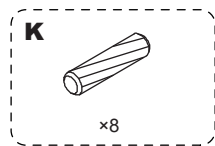
| Step5



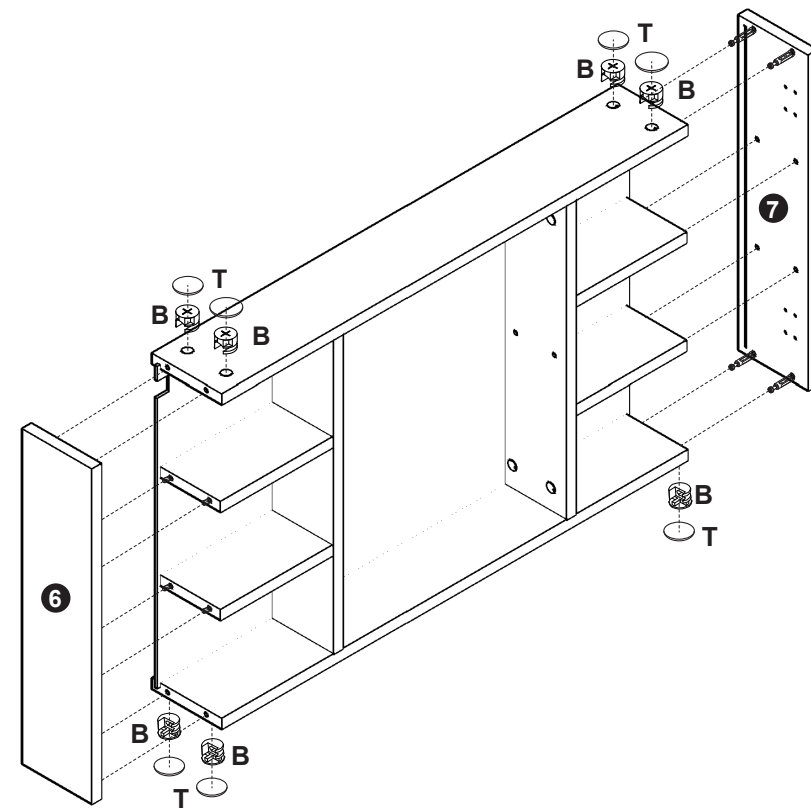
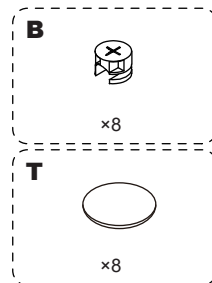
| Step6



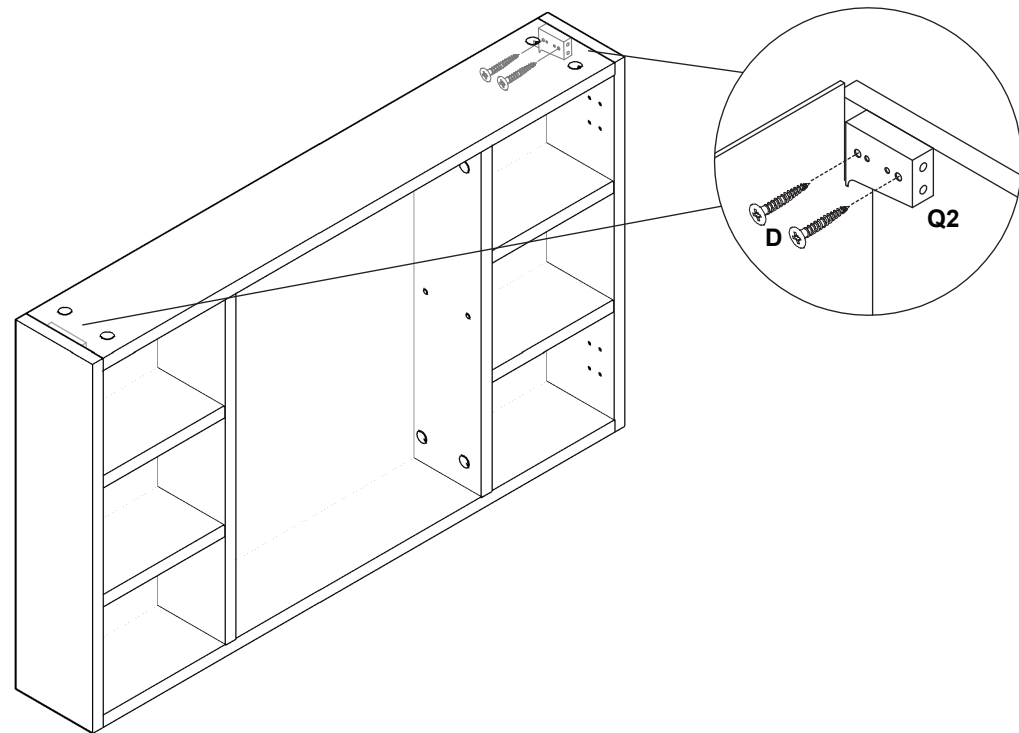
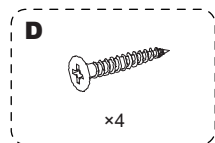
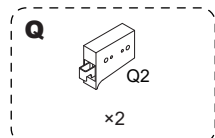
| Step7



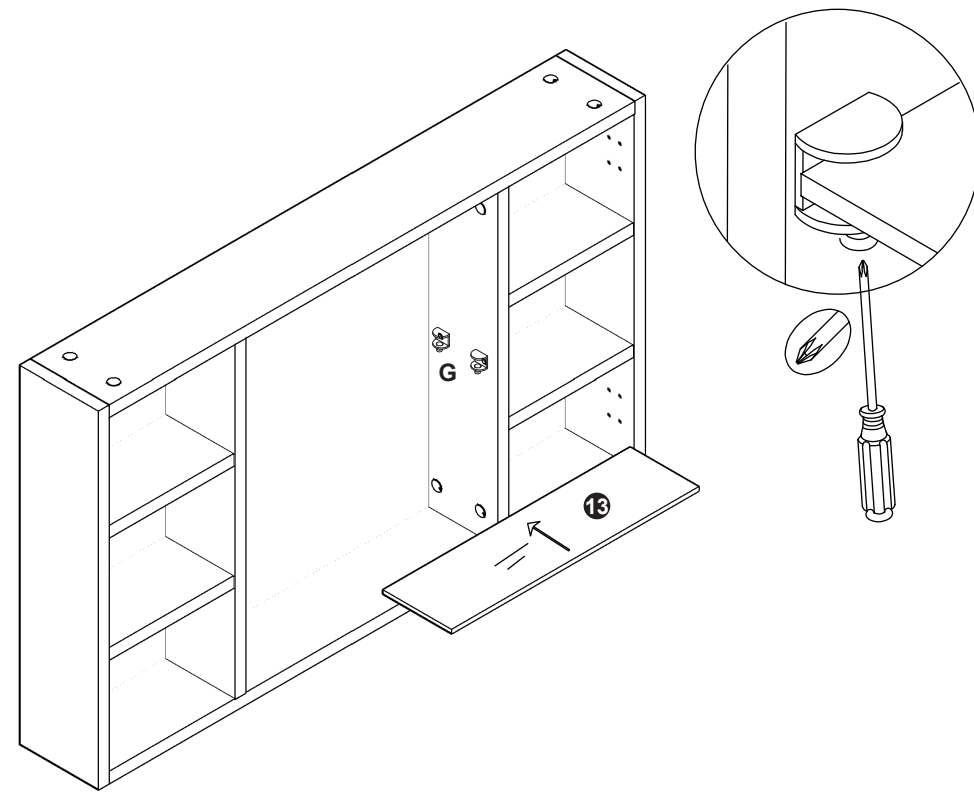
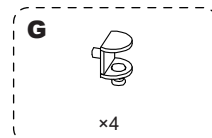
| Step8



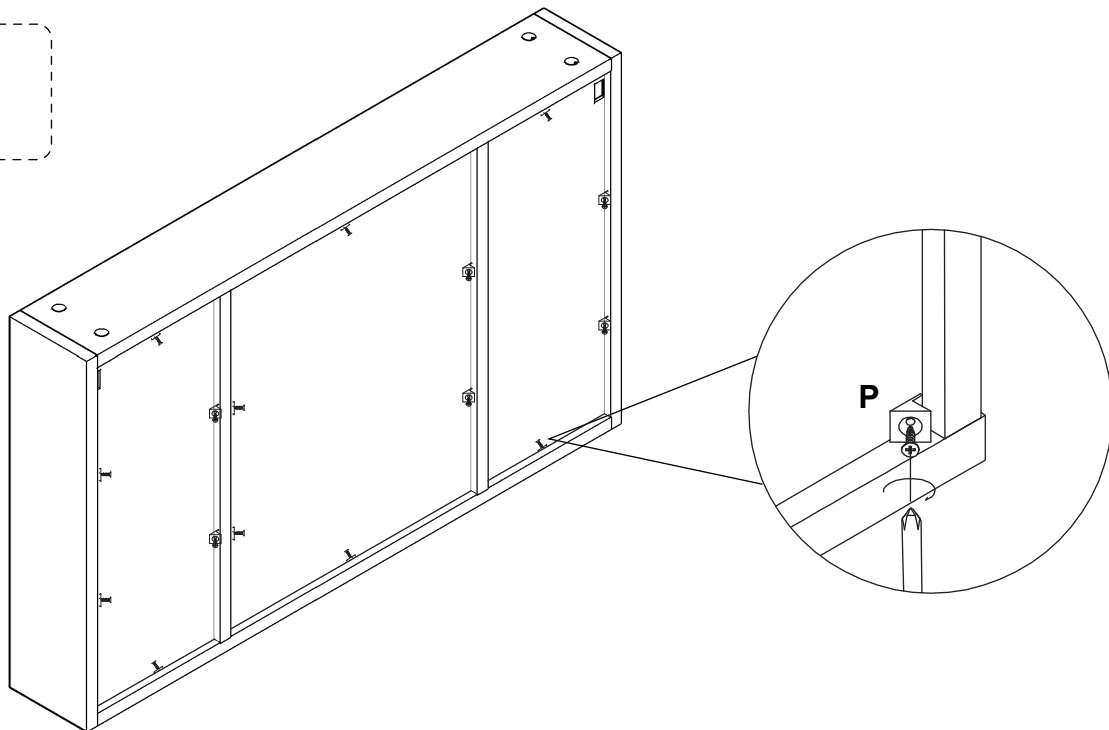
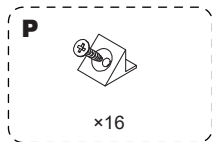
| Step9



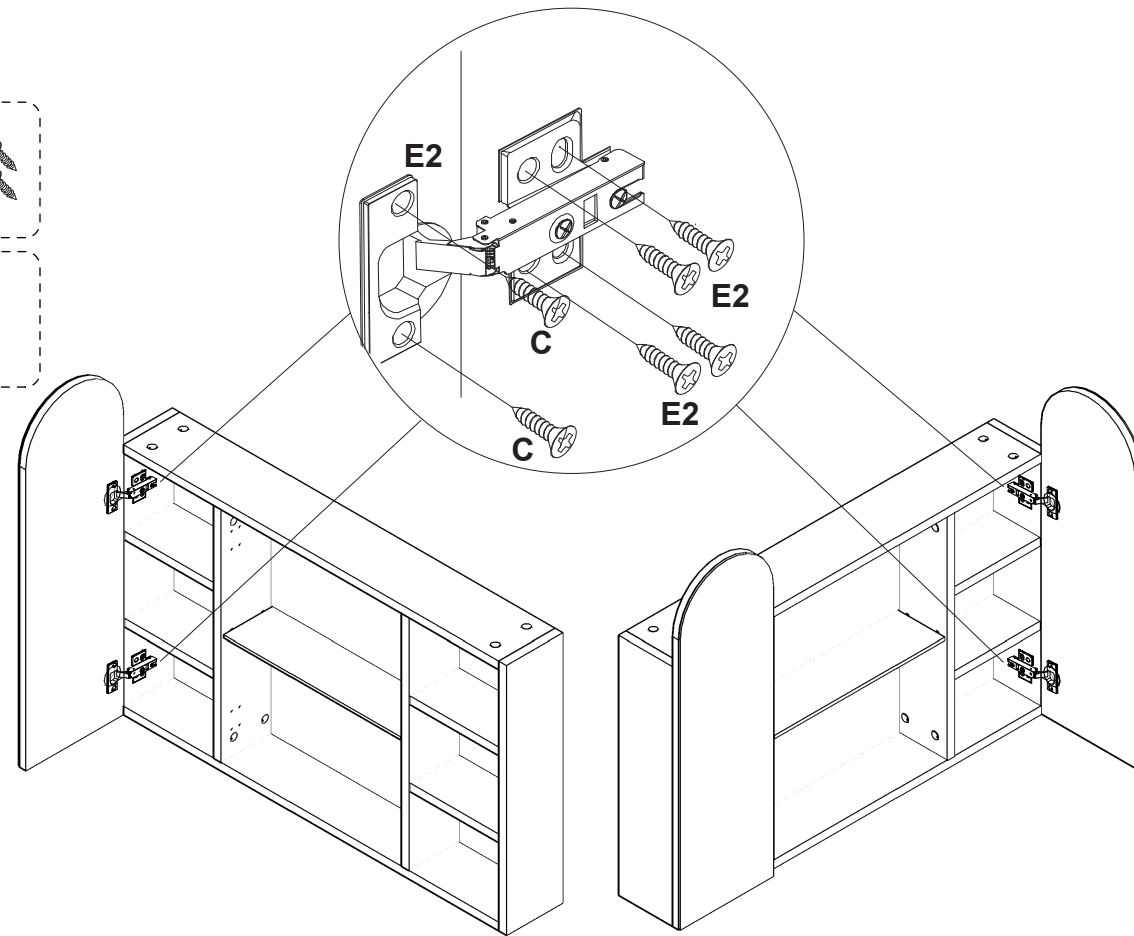
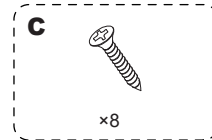
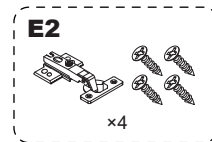
| Step10



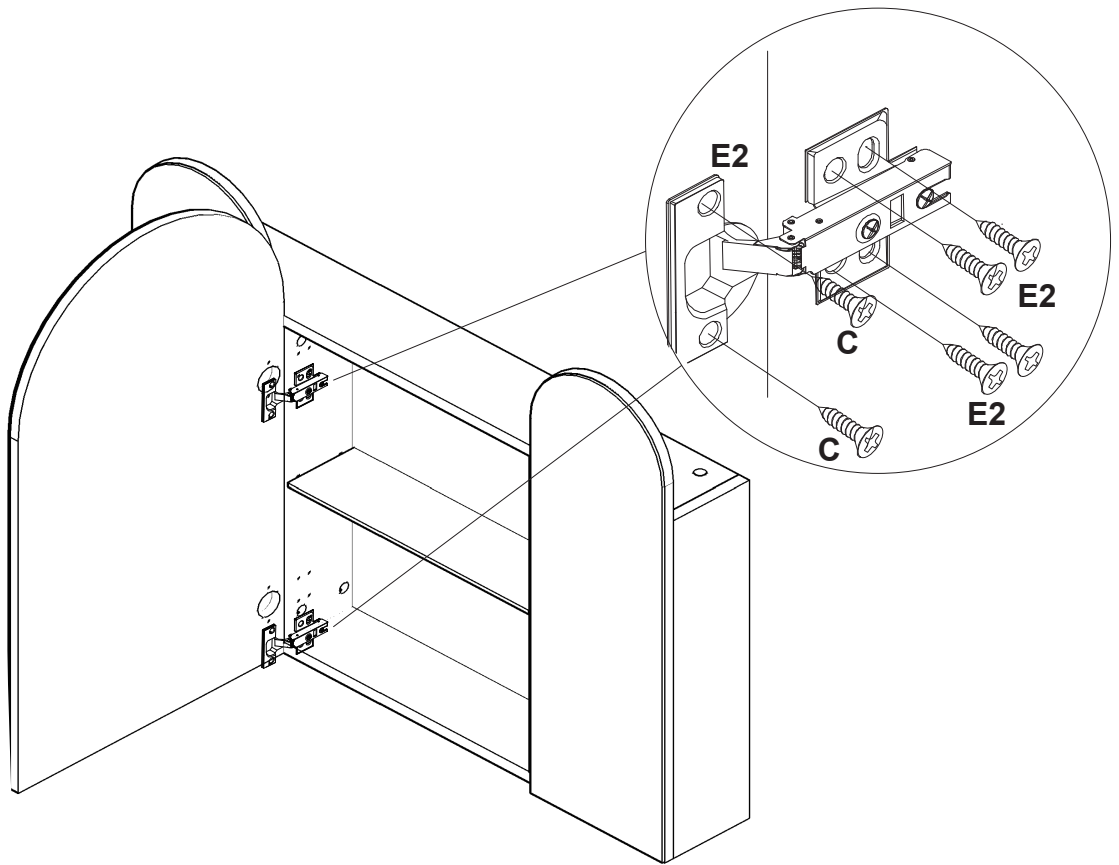
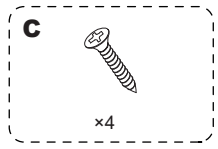
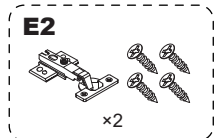
| Step11



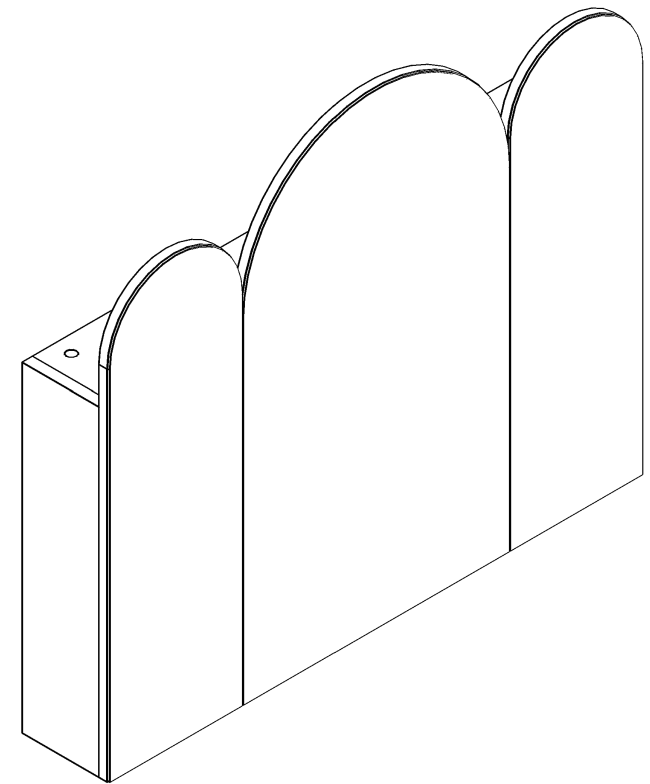
| Step12



| Step13



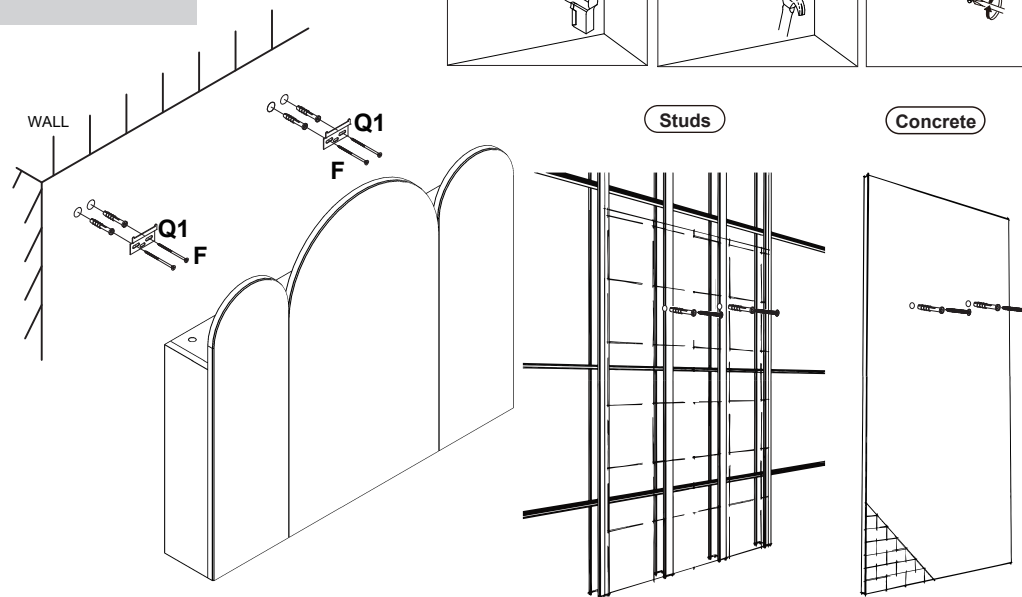
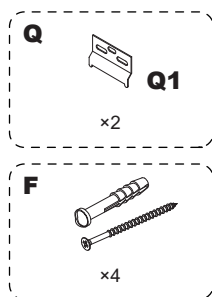
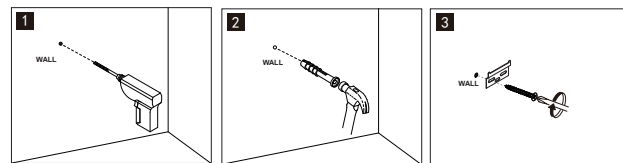
| Step14



| Step15-Optional for studs/concrete

Install the cabinet on studs/concrete with cabinet hanger **Q1** and extension screw **F** into predrill hole against the studs/concrete as shown.

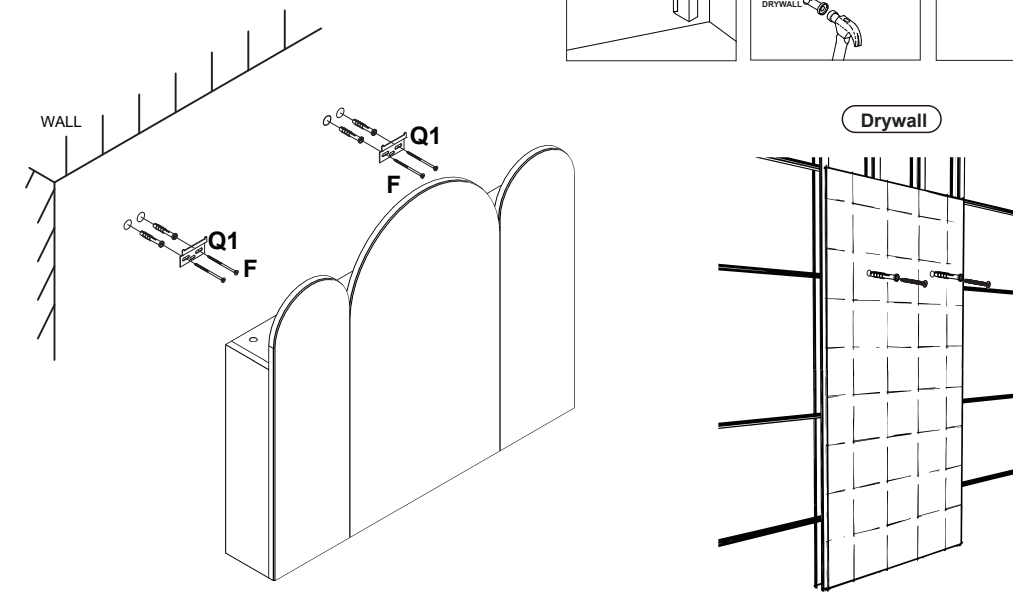
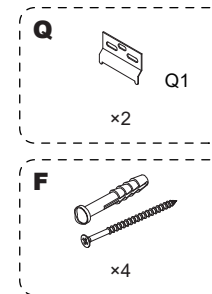
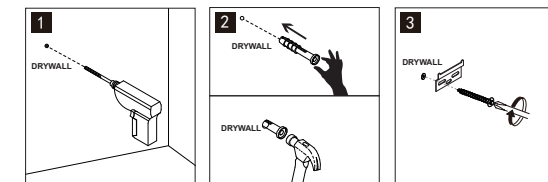
Attention: Optional install on concrete or studs anchors



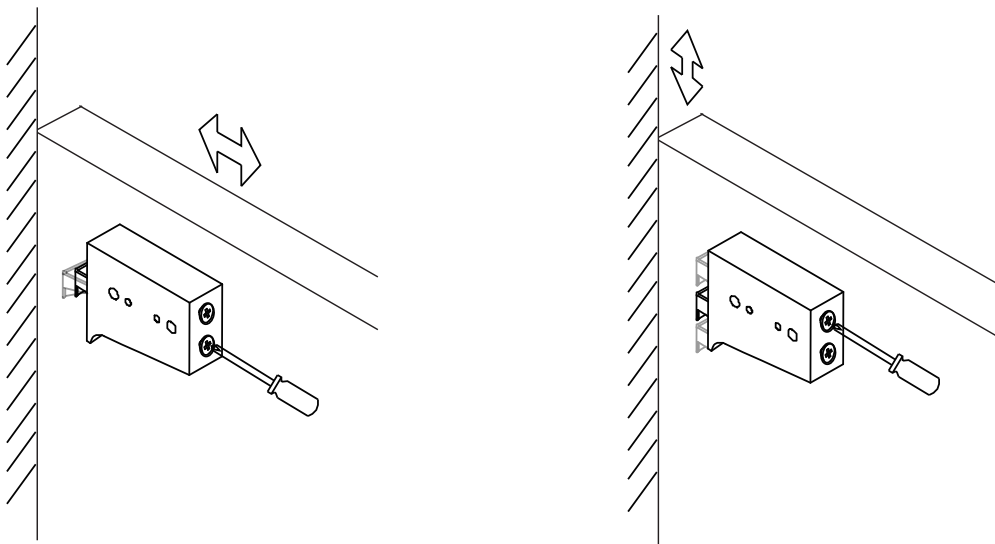
| Step16-Optional for drywall

Install the cabinet on drywall with cabinet hanger **Q1** and extension screw **F** into predrill hole against the drywall as shown.

Attention: Optional install on drywall (sheet wood)



⚠ If the cabinet does not fit the wall after the hanger is installed, adjust the two cross screws on the back of the hanger.



FAULT DETECTION AND HANDLING

Faults	Causes	Measures
Broken mirror	Bad package or violent transport	Get replacement or refund by contact us with damaged photos
Cracked/scratched boards	Bad packaging or violent transport	Get replacement or partial refund by contact us with damaged photos
Mirror cabinet does not fit the wall	Uneven wall, tilted angle	Adjust the 2 screws on the hanging code, the top screw adjusts the angle of tilt of the mirror cabinet. The bottom screw adjusts the fit between the mirror cabinet and the wall
Door and cabinet cannot be aligned	Incorrect hinge installation	Adjust the hinges, loosen the screws, then align the mirror cabinet door with the door frame and finally tighten all the screws

About

The has focused on household products design and research for many years.

Professional design and warm-hearted service make each staff believe that eco-friendly and cost-effective furniture make warmer home and better life.

Meppplzian®

LIMITED WARRANTY

The furniture team would like to improve customer service quality and make your experience smooth.

Return Policy: accepts returns within 30 days without any significant reason. After we receive the returned item, we will check it and make sure that it is not damaged, then we will process the refund. For more details, please check the above terms of RETURN/DAMAGE CLAIM INSTRUCTIONS.

Any damages, defects and parts missings during installation, pls contact us from the very beginning. Replacement, exchange and refund will be arranged ASAP except of personal reasons.

The exceptions or exclusions to this warranty are as follows:

1. Does not accept claims outside of a limited period.
2. This warranty does not include the products purchased by mistake.
3. Any damages, broken, missing parts, will repair or replace them without charging you any cost within a reasonable period.

We reserve the right to require damaged parts to be returned to us upon our request.

If you have any questions concerning this warranty, please get in touch with the Customer Service department via message . Be prepared to provide your name, address, daytime phone number, the product's model and purchase order number, the date of purchase, and the store name. All the information you provided will help us track your order quickly and solve your problem in the shortest time. This warranty gives you specific rights, and you still possess other rights that vary in each case.