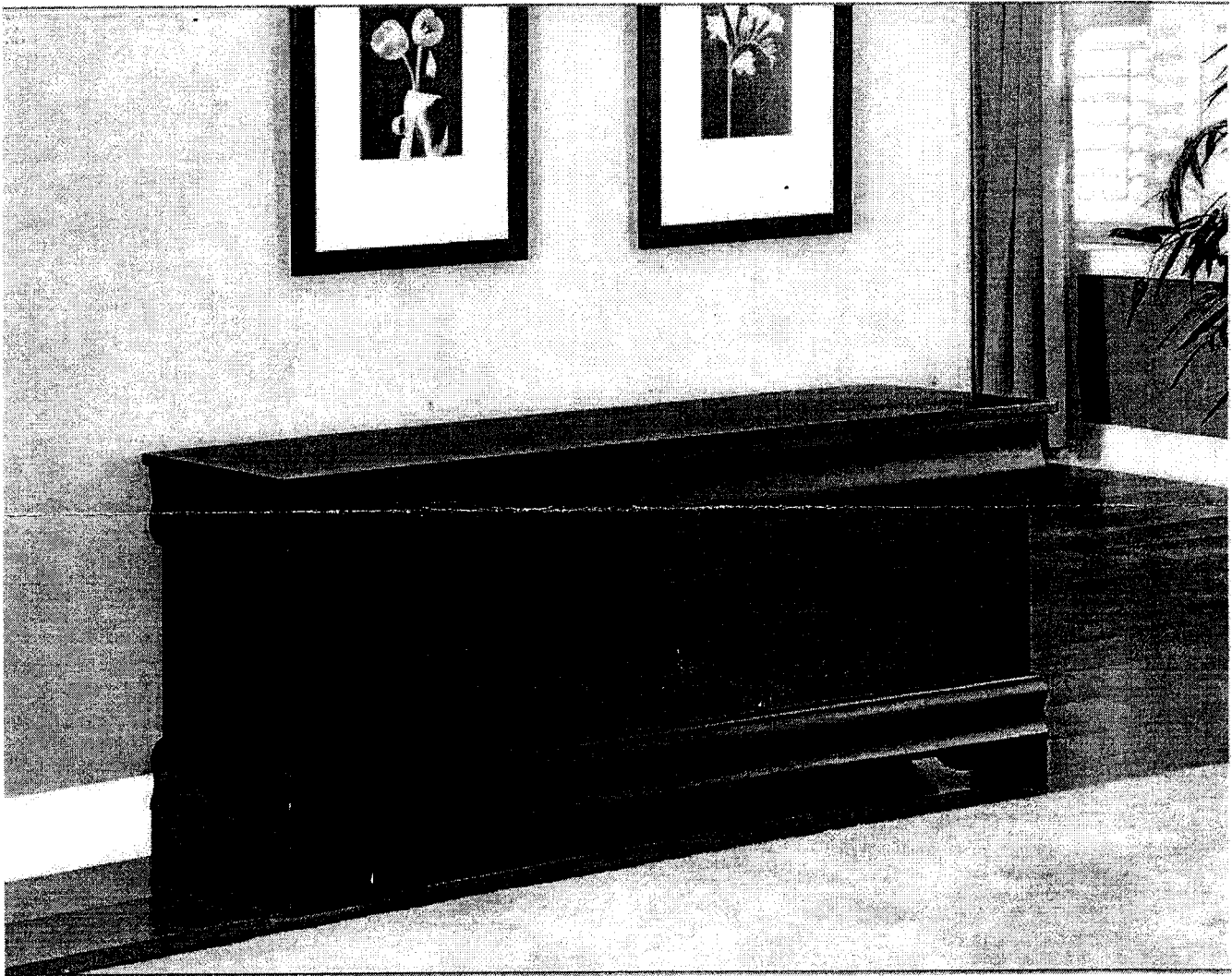


Black finish Cedar chest.

ASSEMBLY INSTRUCTION



ASSEMBLY INSTRUCTION

ASSEMBLY TIPS:

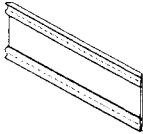
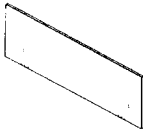
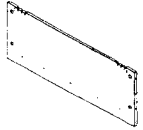

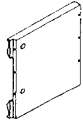

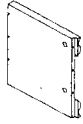

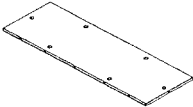
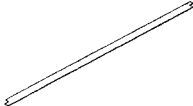
1. Remove hardware from box and sort by size.
2. Please check to see that all hardware and parts are present prior to start of assembly.
3. Please follow attached instructions in the same sequence as numbered to assure fast & easy assembly.



Warning!!

1. Don't attempt to repair or modify parts that are broken or defective. Please contact the store immediately.
2. This product is for home use only and not intended for commercial establishment.

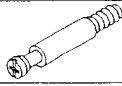


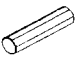


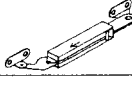
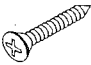
PARTS IDENTIFICATION

(A) FRONT PANEL		1 PC	(F) TOP PANEL		1 PC
(B) BACK PANEL		1 PC	(G) LEG		4 PCS
(C) LEFT SIDE		1 PC	(H) LEFT ADHESIVE FLANNELETTE		1 PC
(D) RIGHT SIDE		1 PC	(I) RIGHT ADHESIVE FLANNELETTE		1 PC
(E) BOTTOM PANEL		1 PC	(J) LONG ADHESIVE FLANNELETTE		1 PC

ASSEMBLY INSTRUCTION

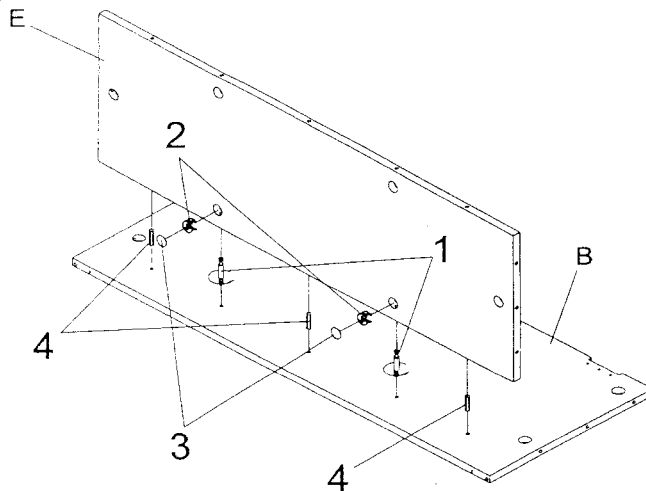
Z

HARDWARE PACKAGE

NO	DESCRIPTION	FIGURE	Q'TY
1	CAM BOLT ø7mmx35mm		14 PCS
2	CAM LOCK ø25mmx11mm		14 PCS
3	CAM LOCK COVER ø30mmx10mm		14 PCS
4	WOOD DOWEL ø8mmx30mm		22 PCS
5	HINGE 76mmx1.6mm		2pcs
6	SCREW ø6mmx1/2"		24 PCS
7	LID SUPPORT 160mmx30mmx16mm		2 pcs
8	SCREW ø7mmx1-3/8"		8 pcs

STEP 1

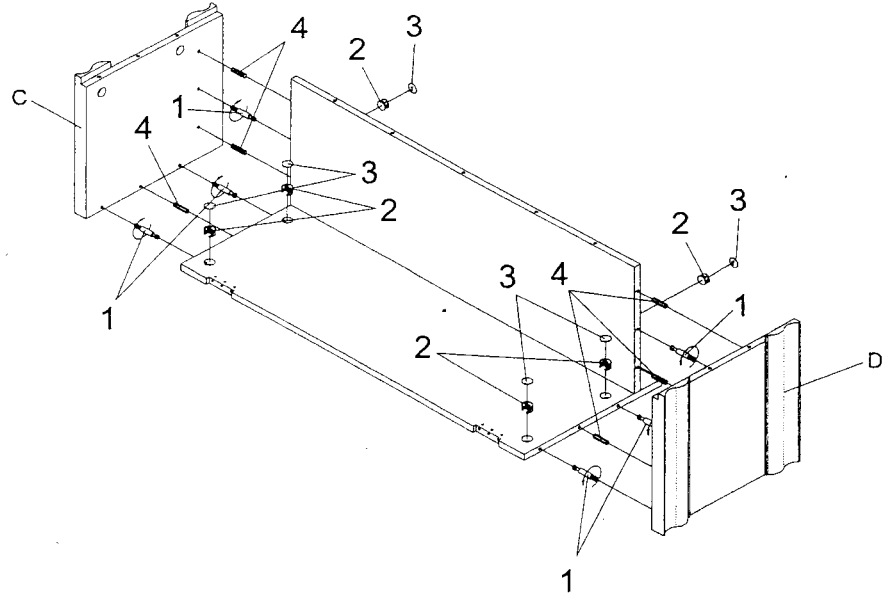
Assemble the bottom panel "E" on the back panel "B" with cam bolt "1", cam lock "2" and cam lock cover "3" as well as wood dowel "4".



ASSEMBLY INSTRUCTION

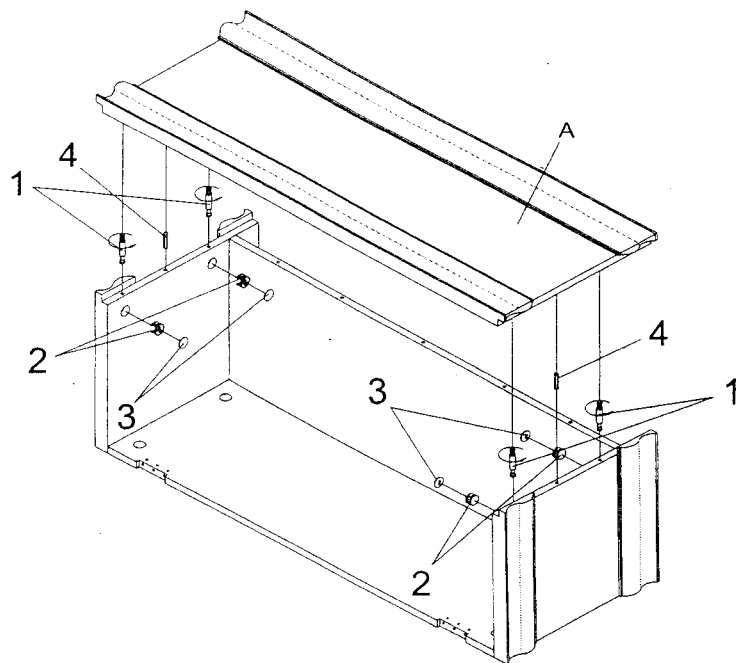
STEP 2

Connect the left side panel "C" & right side panel "D" with panels "E" & "D" with cam bolt "1", cam lock "2" and cam lock cover "3" as well as wood dowel "4" respectively.



STEP 3

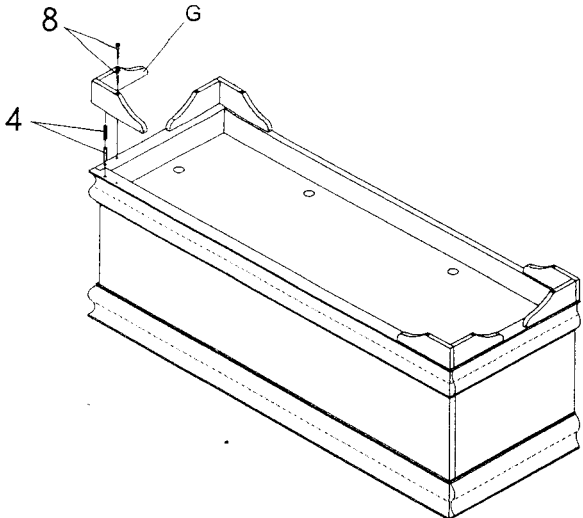
Next, please assemble the front panel "A" and 2 side panel "C" & "D" with cam bolt "1", cam lock "2" and cam lock cover "3" as well as wood dowel "4".



ASSEMBLY INSTRUCTION

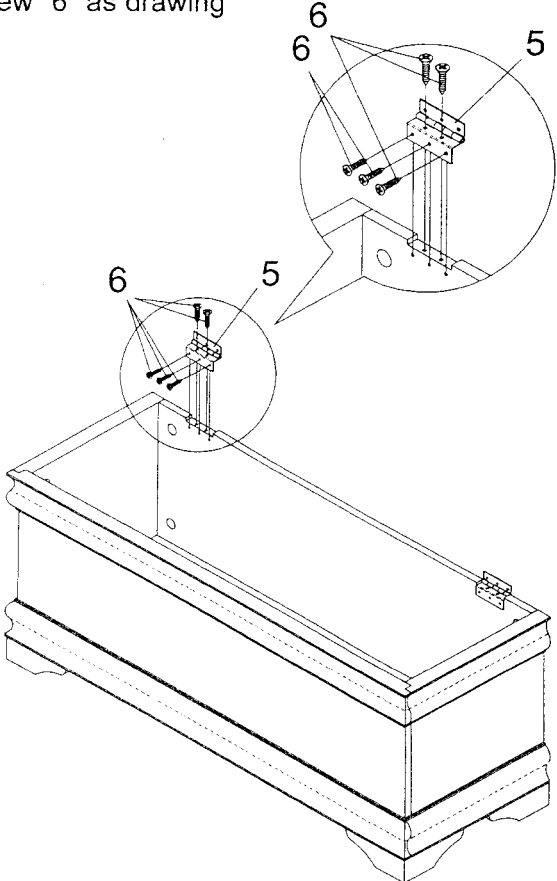
STEP 4

Continuously, turn the chest upside-down and assemble the leg "G" with wood dowel "4" and screw "8" on four corners.



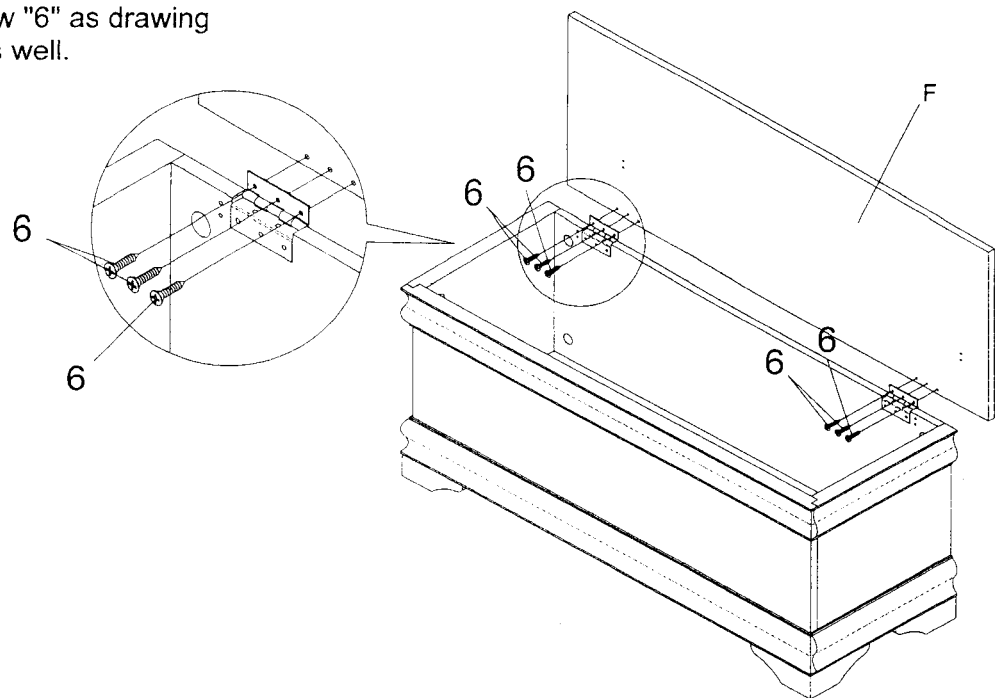
STEP 5

Return the chest to assemble the hinge "5" and the back panel with screw "6" as drawing demonstration.



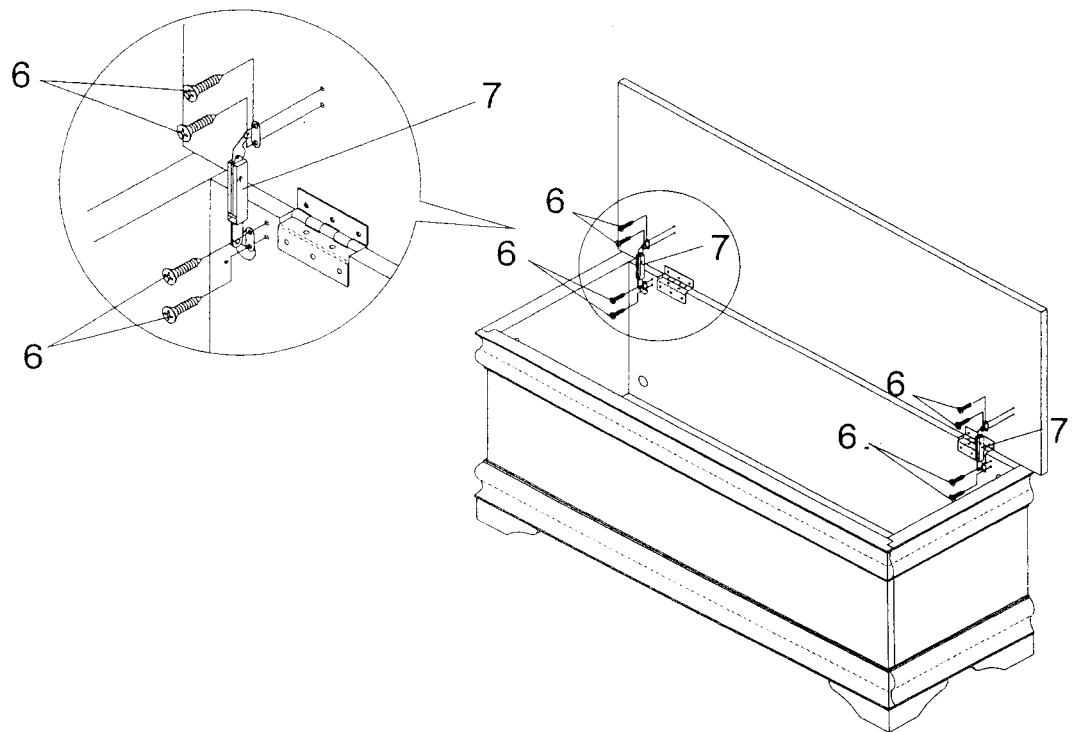
STEP 6

Then, connect the lid "F" and the hinge "5" of Step 5 with screw "6" as drawing demonstrated as well.



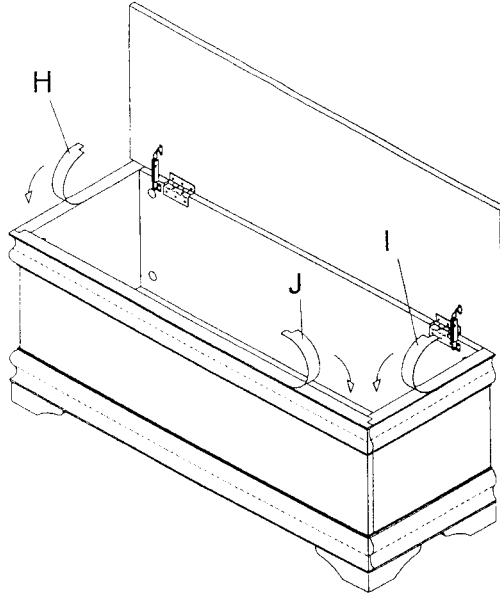
STEP 7

Continuous to connect the lid support "7" beside the hinge with screw 6 as well.



STEP 8

Last, please stick the left / right / long adhesive flannelette as drawing demonstrated to keep the edge comfortable and more closed with lid.



FINISH

