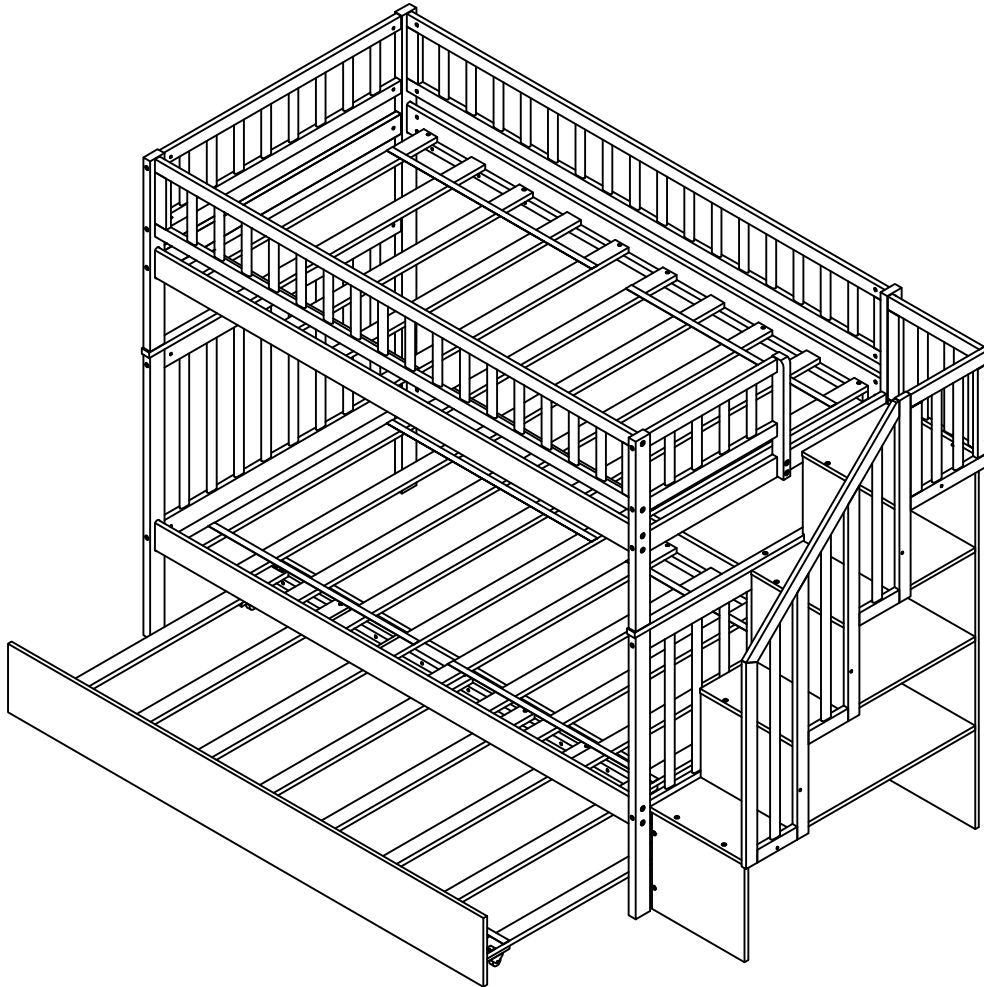


# ASSEMBLY INSTRUCTIONS

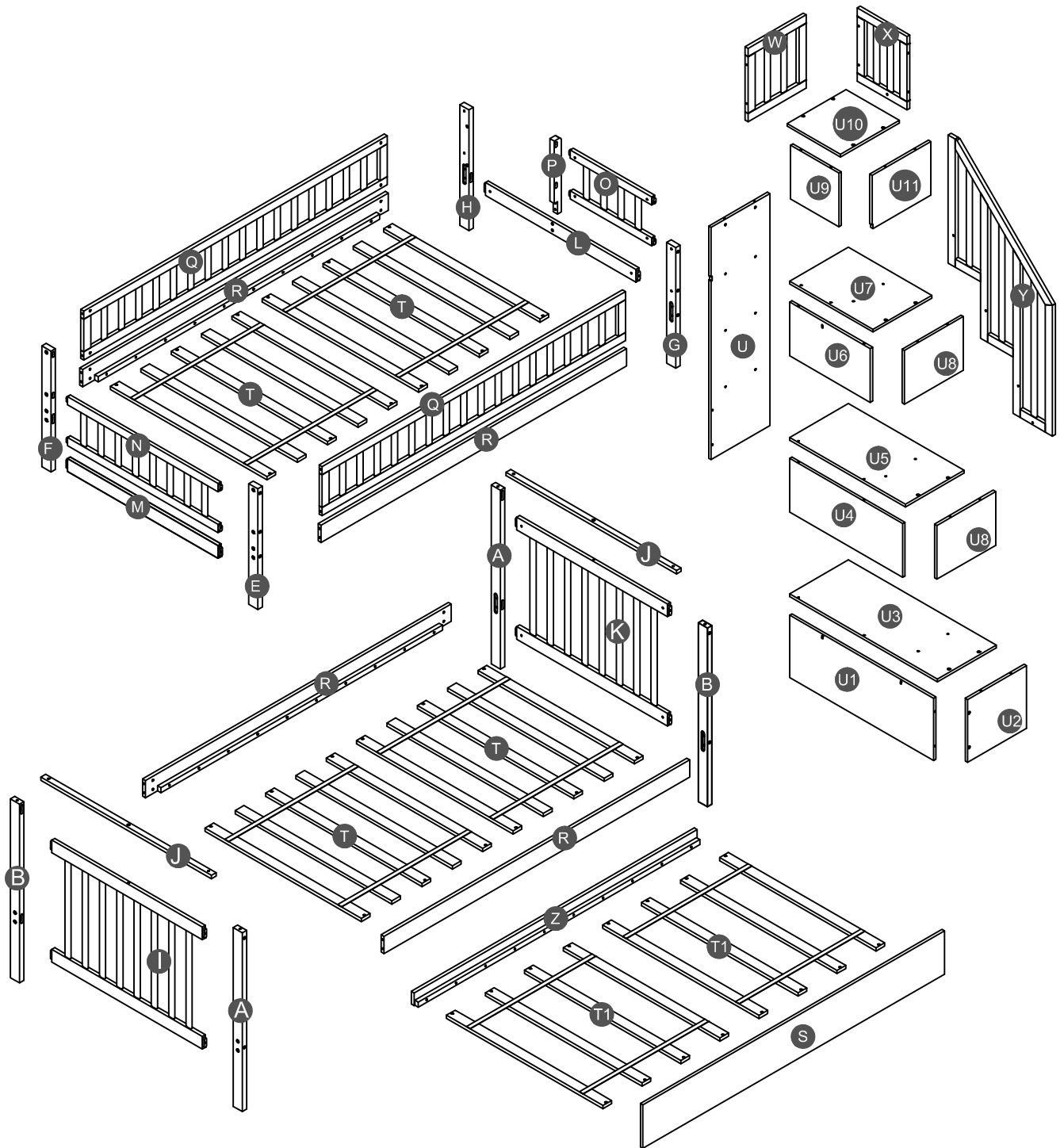
## TWIN/TWIN/TRUNDLE BUNK BED



This set is included 2 boxes if don't receive full 2 boxes please contact our customer service team.

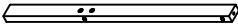
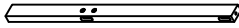
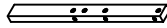




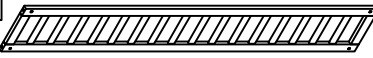

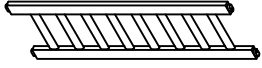

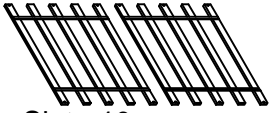
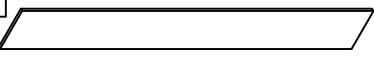

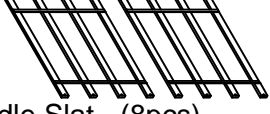
PLEASE DO NOT RETURN PRODUCT TO THE STORE.  
If you have any problems or concerns, please feel free to contact our customer  
service department. We will reply to you at the first time.

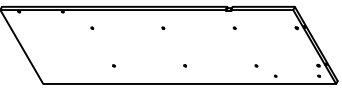

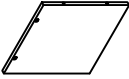

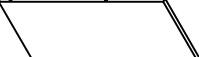
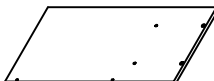
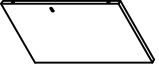



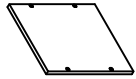

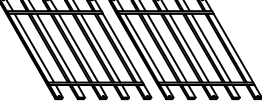
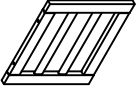
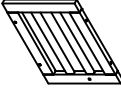
# Detail View



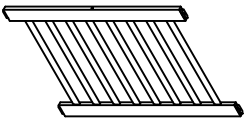
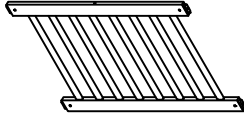
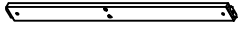
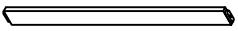

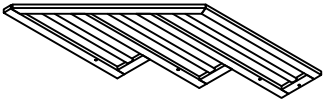
# Part List

## Hardware List

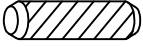
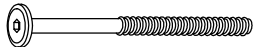
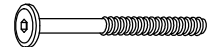
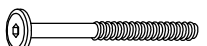









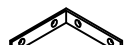

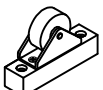
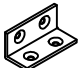
<b>A</b>		<b>B</b>		<b>E</b>	
Lower leg(Left ) - 2pcs		Lower leg (Right )- 2pcs		Upper leg(Left front) - 1pc	
<b>F</b>		<b>G</b>		<b>H</b>	
Upper leg(Right back) - 1pc		Upper leg (Right front)- 1pc		Upper leg (Left back)- 1pc	
<b>J</b>		<b>Q</b>		<b>R</b>	
Cap for lower HB&FB-2pcs		Upper front & back side rail-2pcs		Lower&upper side rail - 4pcs	
<b>N</b>		<b>O</b>		<b>T</b>	
Upper HB - 1pc		Upper FB - 1pc		Upper Slat - 10pcs	
<b>S</b>		<b>Z</b>		<b>T1</b>	
Trundle front panel - 1pc		Trundle back panel - 1pc		Trundle Slat - (8pcs)	

<b>U</b>		<b>U1</b>		<b>U2</b>	
Back panel - 1pc		Lower left side panel - 1pc		Lower front panel - 1pc	
<b>U3</b>		<b>U4</b>		<b>U5</b>	
Lower step ladder panel -1pc		Lower left side panel - 1pc		Lower step ladder panel -1pc	
<b>U6</b>		<b>U7</b>		<b>U8</b>	
Lower left side panel - 1pc		Lower step ladder panel -1pc		Lower front panel - 2pcs	
<b>U9</b>		<b>U10</b>		<b>U11</b>	
Upper left side panel - 1pc		Upper step ladder panel -1pc		Upper front panel - 1pc	
<b>T</b>		<b>W</b>		<b>X</b>	
Lower Slat - 10pcs		Upper guard back - 1pc		Upper guard side - 1pc	

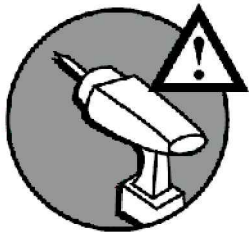
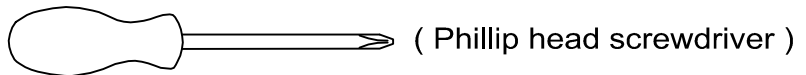
# Part List

<b>I</b>  Lower HB - 1pc	<b>K</b>  Lower FB - 1pc	<b>L</b>  Horizontal upper bar FB-1pc
<b>M</b>  Horizontal upper bar HB-1pc	<b>P</b>  Support guard rail - 1pc	<b>Y</b>  Guard side - 1pc

# Hardware List

<b>1</b>  Ø8*30mm Wood dowel (12pcs)	<b>2</b>  (Ø15)1/4"*100mm Hex-Head bolts (18pcs)	<b>3</b>  (Ø15)1/4"*80mm Hex-Head bolts (24pcs)
<b>4</b>  (Ø12)1/4"*70mm Hex-Head bolts (2pcs)	<b>5</b>  (Ø12)1/4"*60mm Hex-Head bolts (37pcs)	<b>6</b>  (Ø12)1/4"*35mm Hex-Head bolts (2pcs)
<b>7</b>  (Ø12)1/4"*30mm Hex-Head bolts (3pcs)	<b>8</b>  1/4"*15 (9.5mm) Horizontal-Hole bolts(79pcs)	<b>9</b>  Ø9*90mm Connecting bar (4pcs)
<b>10</b>  (Ø12)1/4"*40mm Hex-Head bolts (2pcs)	<b>11</b>  (1/4")4.5*58mm Allen key (1pc)	<b>12</b>  Ø4*30mm Wood screws (48pcs)
<b>13</b>  Ø1/4"*19*2mm Flat Washer (3pcs)	<b>14</b>  95*95*18*3mm Metal bracket (2pcs)	<b>15</b>  Ø3.5*15mm Wood screws (16pcs)
<b>16</b>  100*63*20mm Wheels (4pcs)	<b>17</b>  40*18*18*2mm Metal bracket (2pcs)	

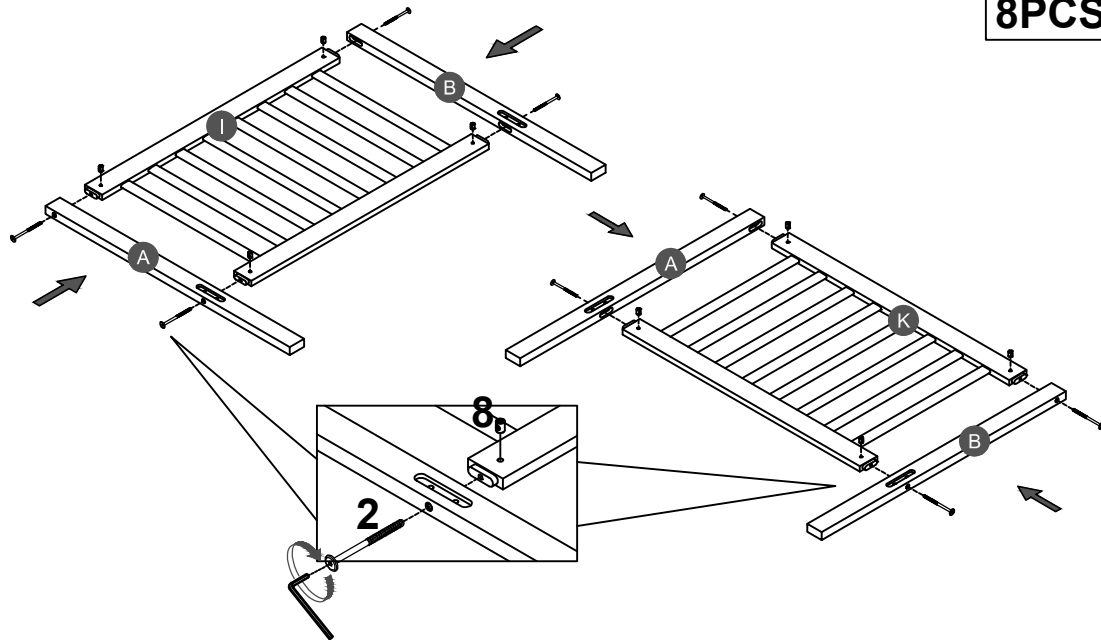
## ASSEMBLY TOOLS REQUIRED ( NOT INCLUDED )





DO NOT USE POWER TOOLS TO ASSEMBLE THIS PRODUCT !

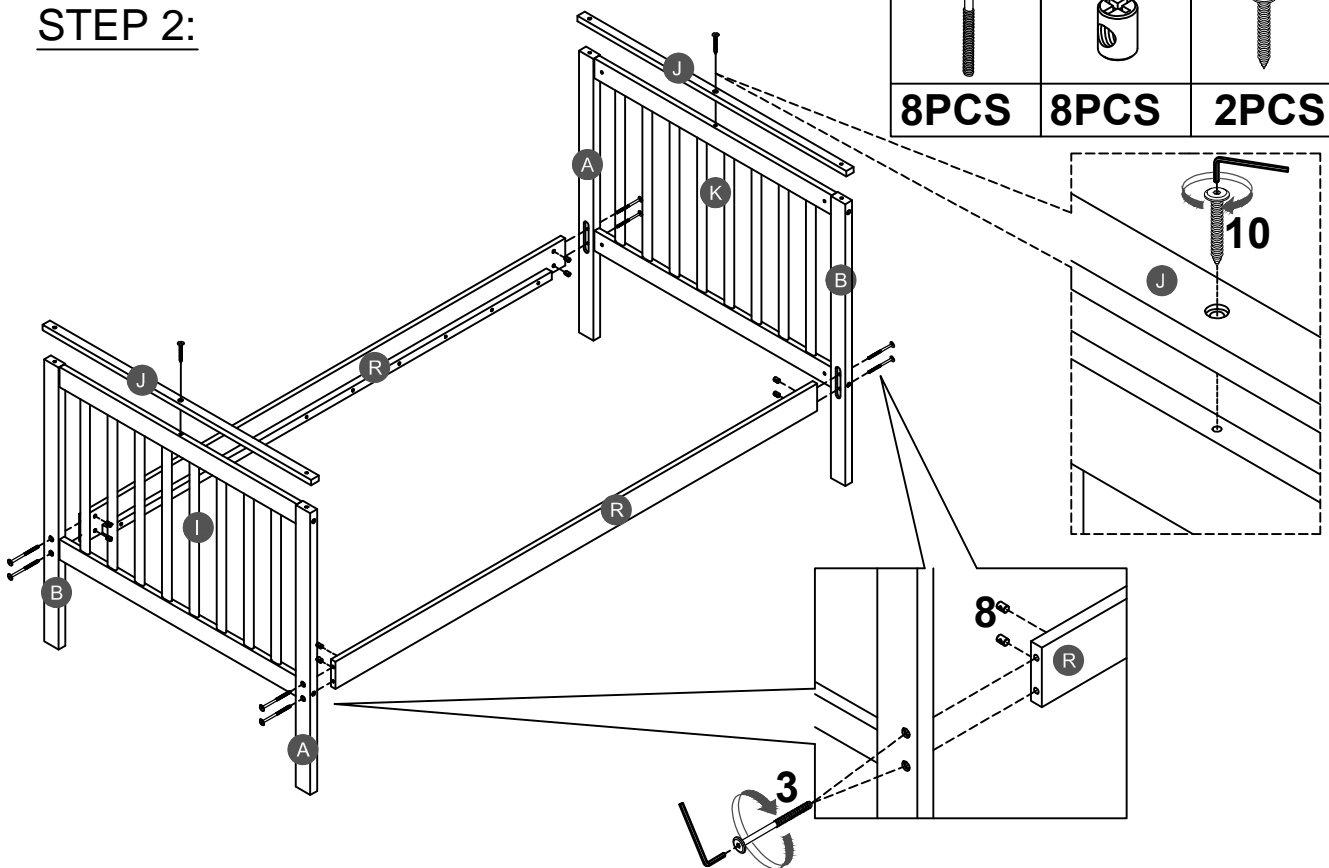
**Remark: We recommend you assemble your bed in the flat ground.**




**STEP 1:**







2		8	
8PCS		8PCS	

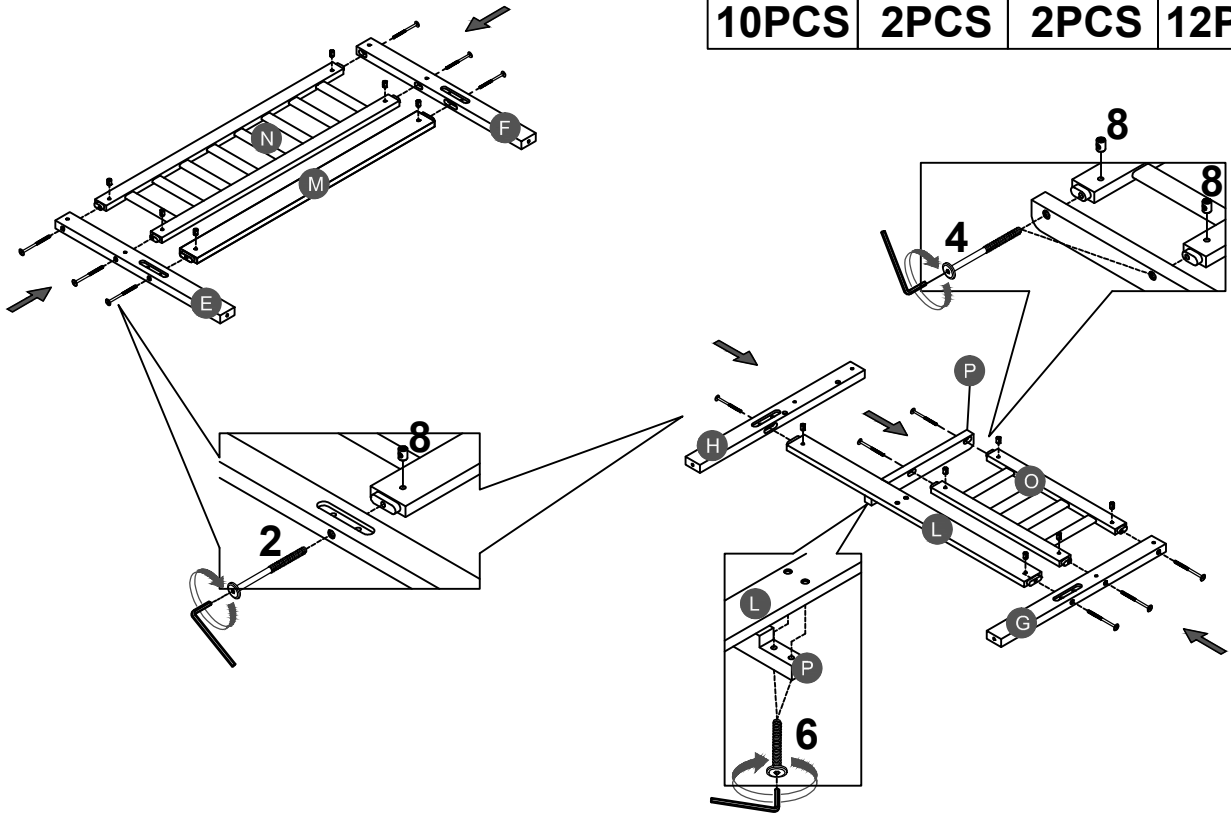
**STEP 2:**



3		8		10	
8PCS		8PCS		2PCS	



### STEP 3:

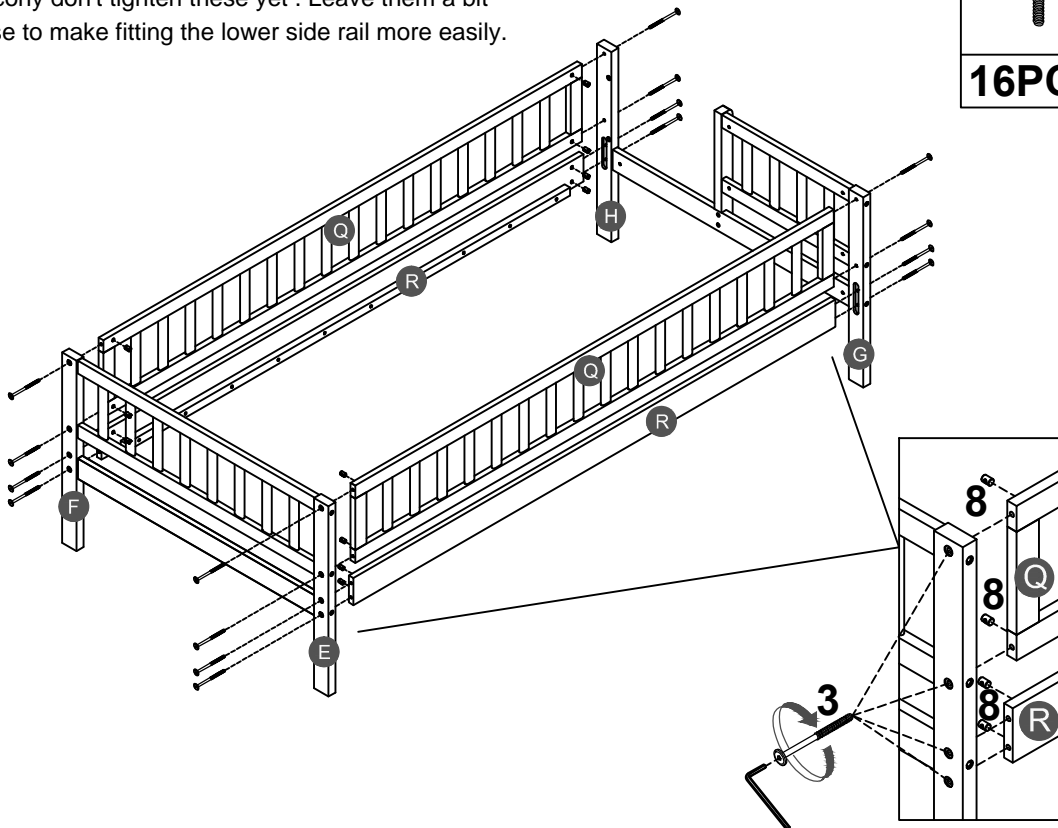
2		4		6		8	
10PCS		2PCS		2PCS		12PCS	



### STEP 4:

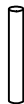
Balcony don't tighten these yet . Leave them a bit loose to make fitting the lower side rail more easily.

3		8	
16PCS		16PCS	

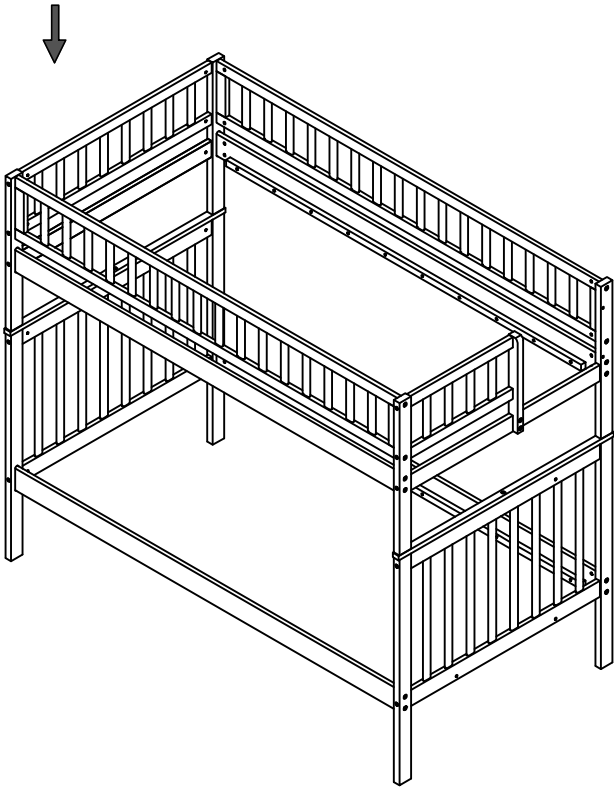
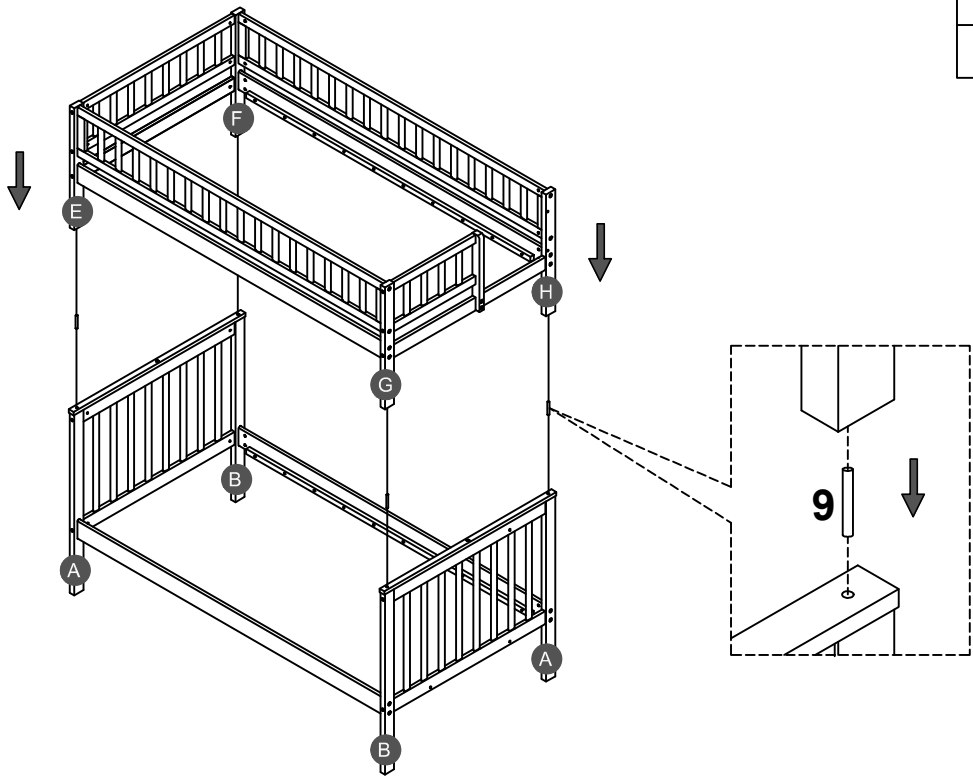


**STEP 5:**




**9**

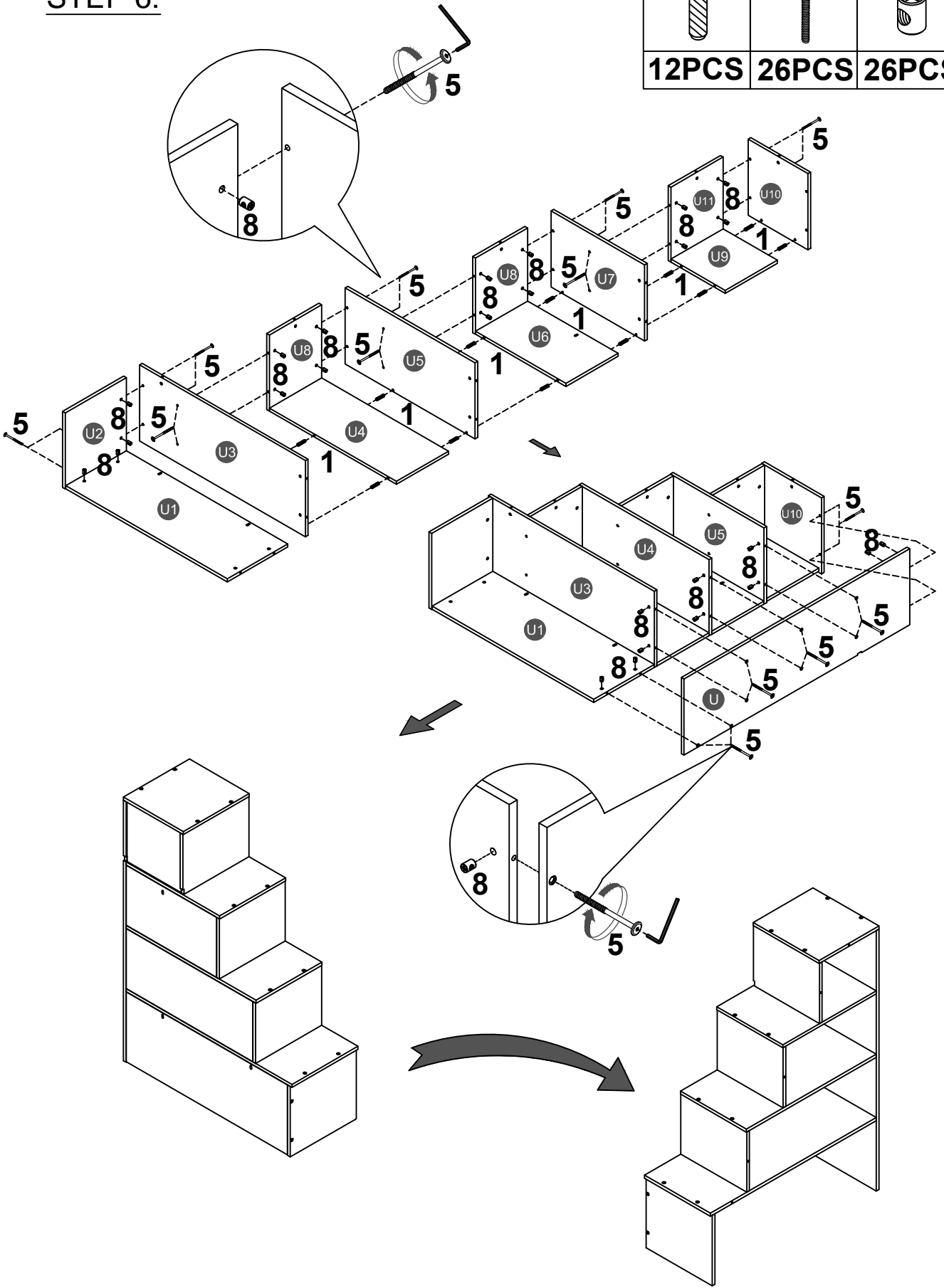


**4PCS**







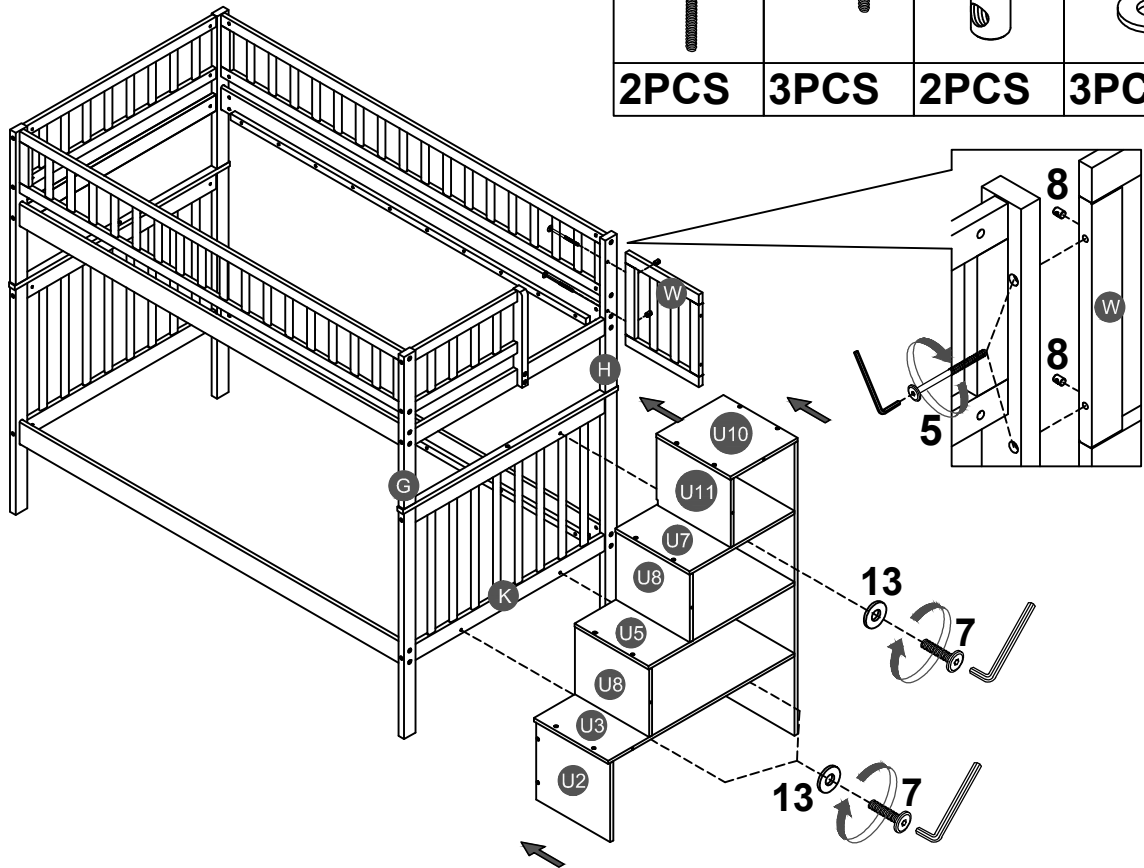
**STEP 6:**

1		5		8	
<b>12PCS</b>		<b>26PCS</b>		<b>26PCS</b>	





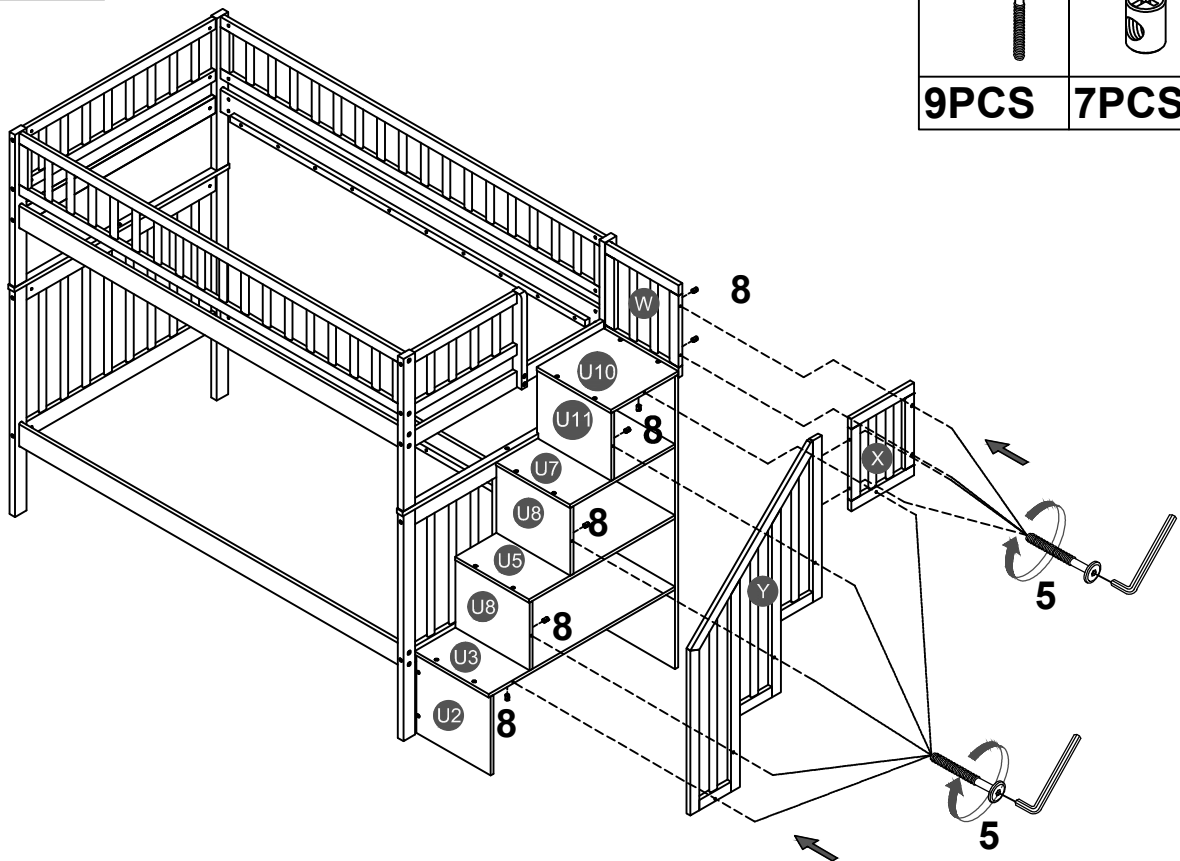
**STEP 7:**

5		7		8		13	
<b>2PCS</b>		<b>3PCS</b>		<b>2PCS</b>		<b>3PCS</b>	



**STEP 8:**

5		8	
<b>9PCS</b>		<b>7PCS</b>	

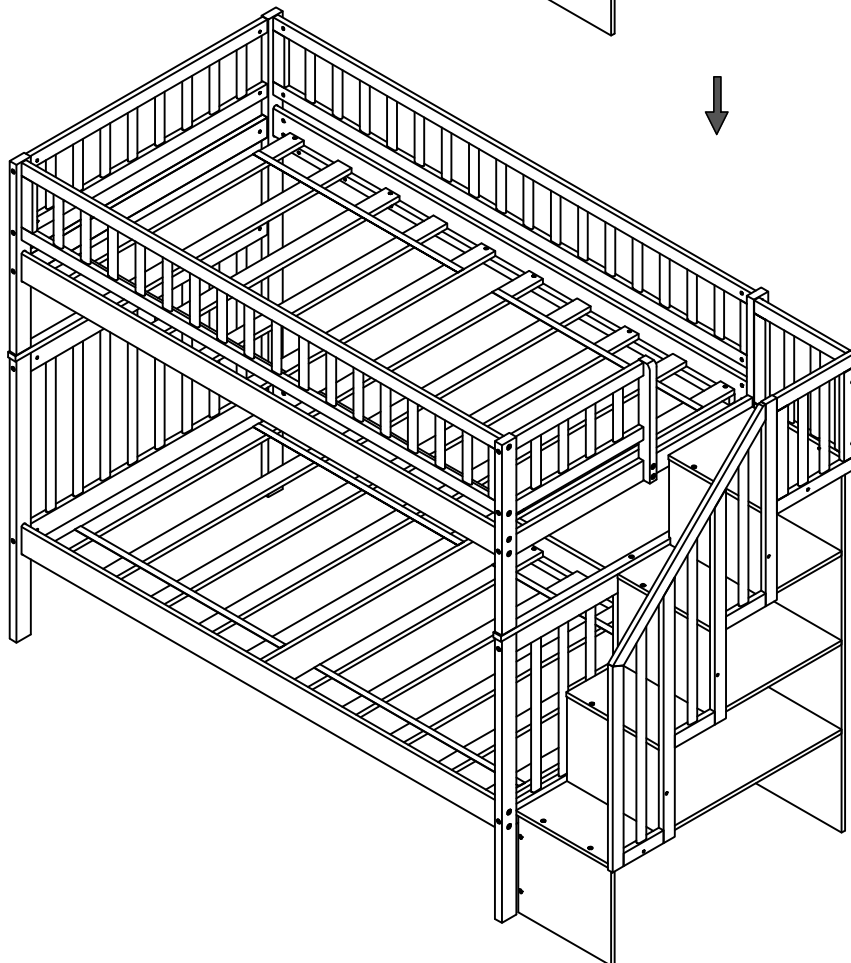
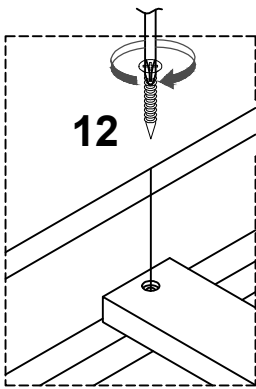
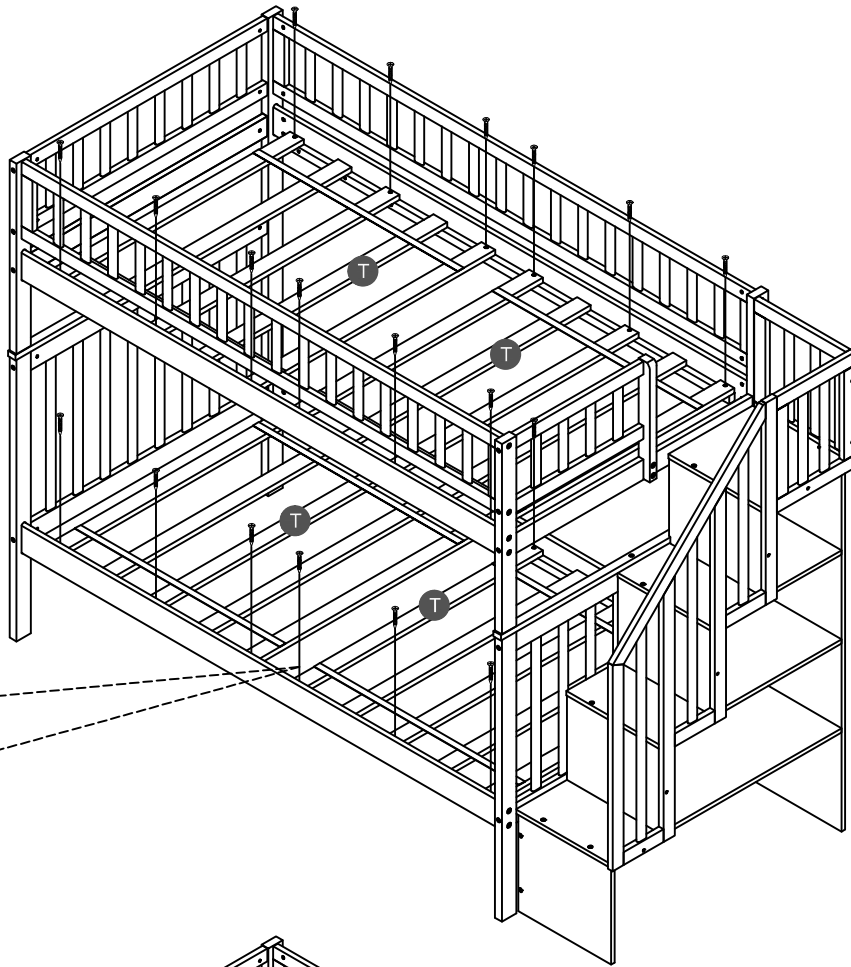


**STEP 9:**



**12**

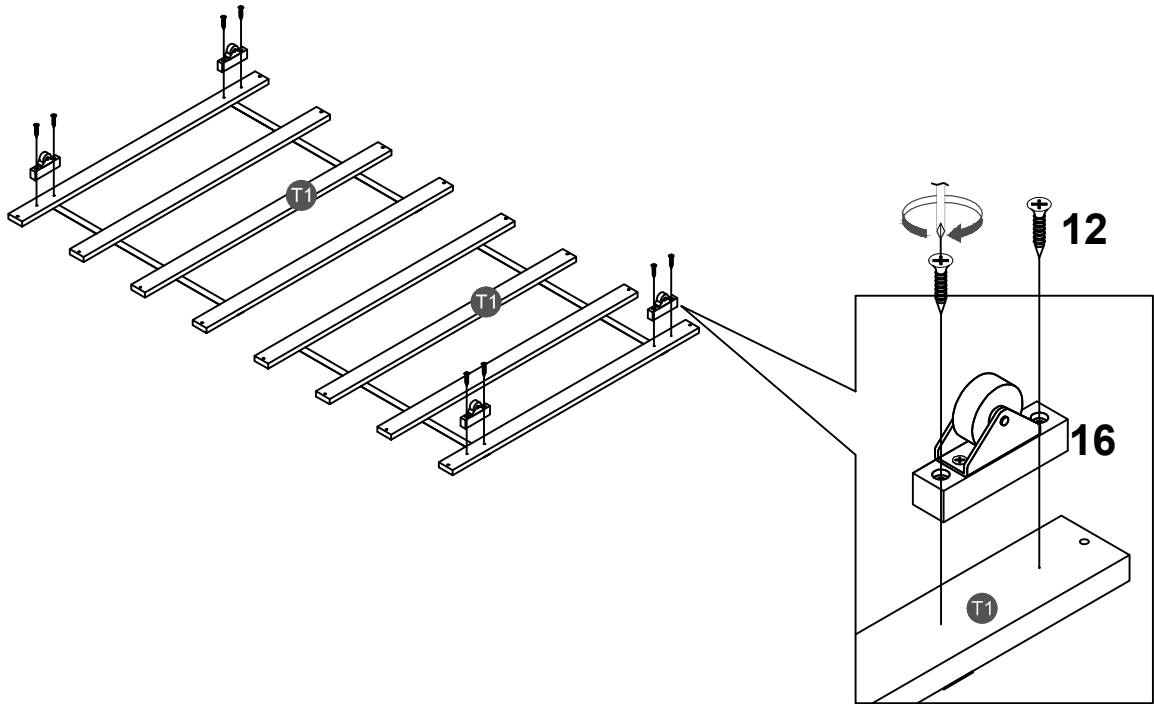


**24PCS**




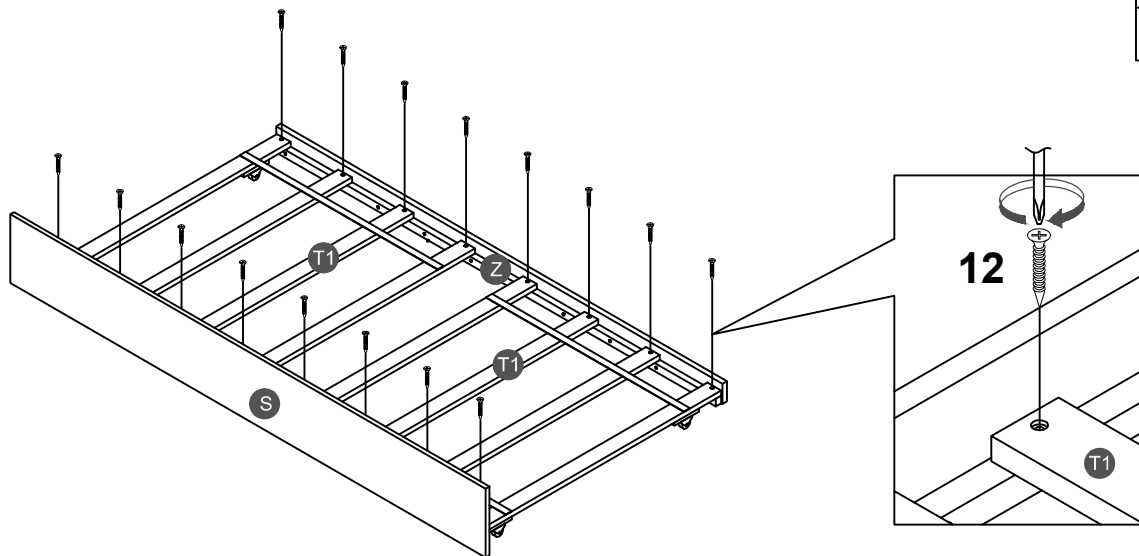
**STEP 10:**

<b>16</b> 	<b>12</b> 
<b>4PCS</b>	<b>8PCS</b>





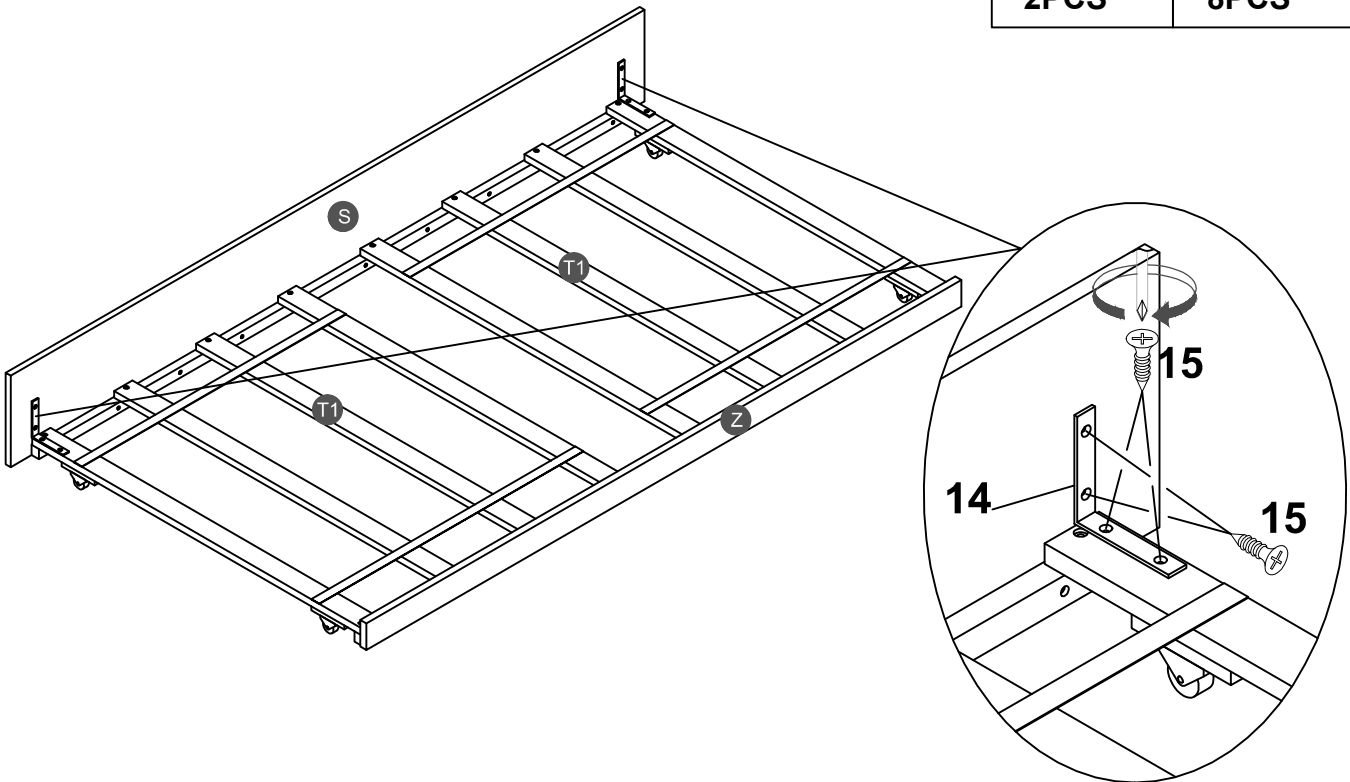
**STEP 11:**

<b>12</b> 
<b>16PCS</b>


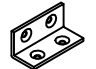


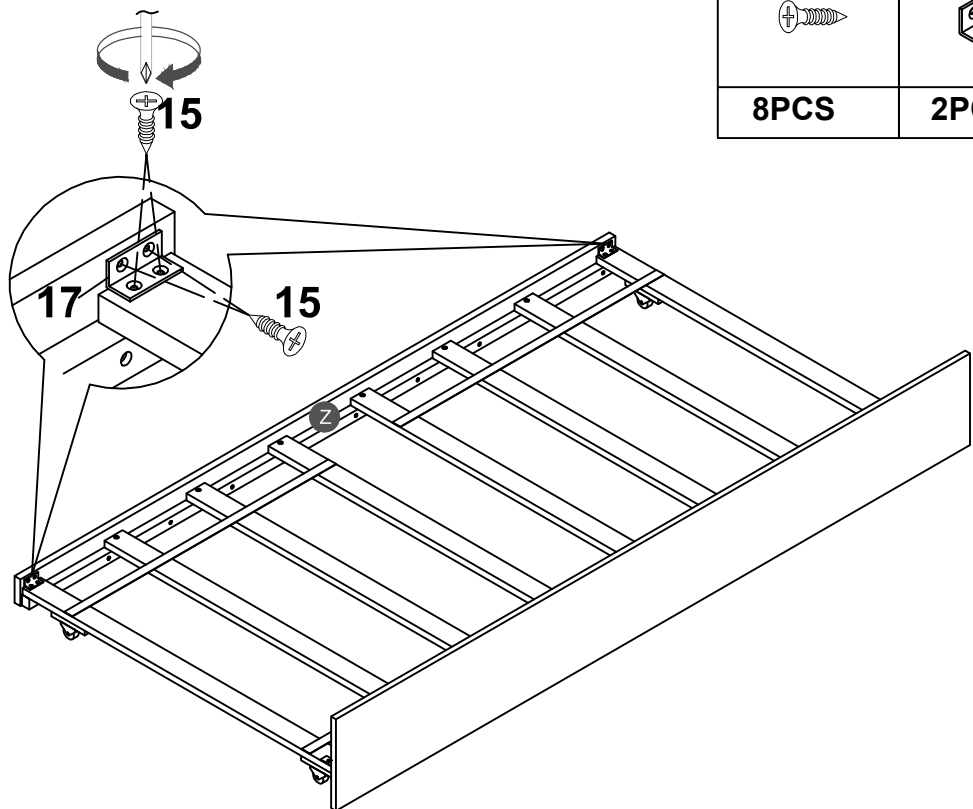
**STEP 12:**

<b>14</b> 	<b>15</b> 
<b>2PCS</b>	<b>8PCS</b>

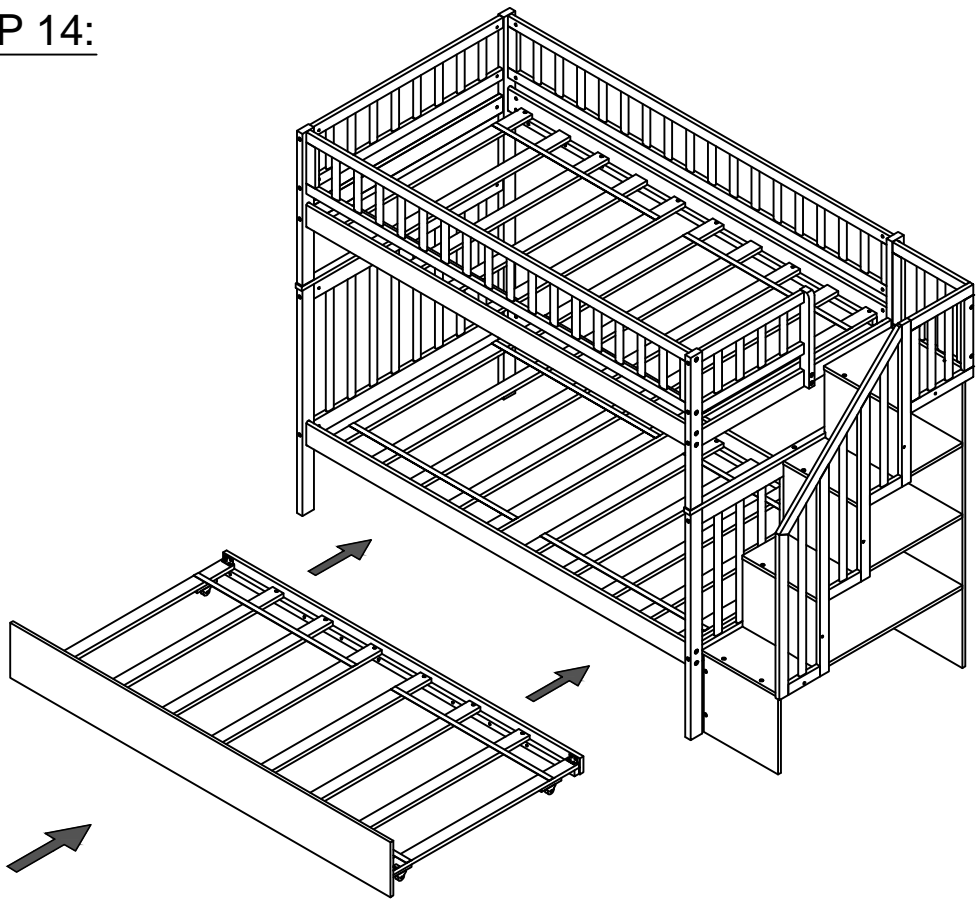


**STEP 13:**

<b>15</b> 	<b>17</b> 
<b>8PCS</b>	<b>2PCS</b>



**STEP 14:**



Push Trundle under the bottom of Bunkbed.

