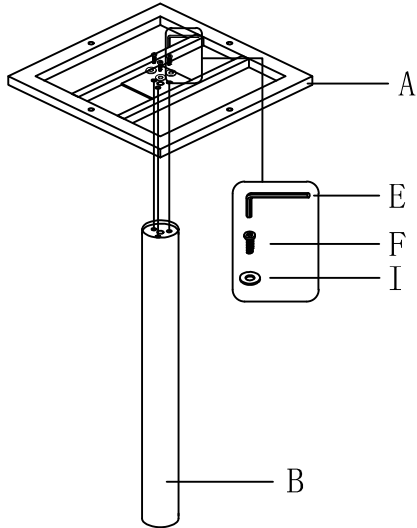
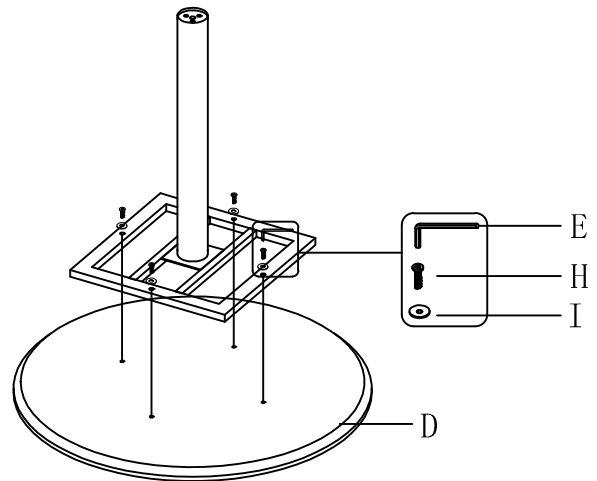


# ASSEMBLY INSTRUCTION

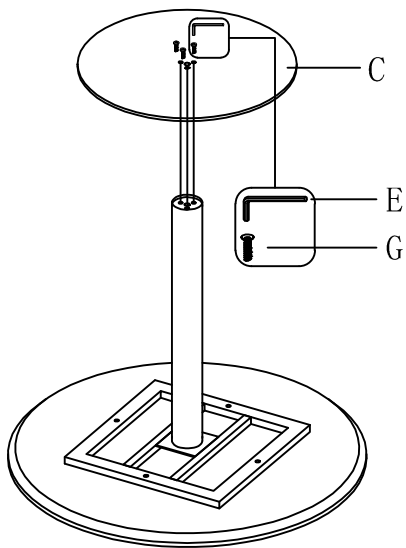
1



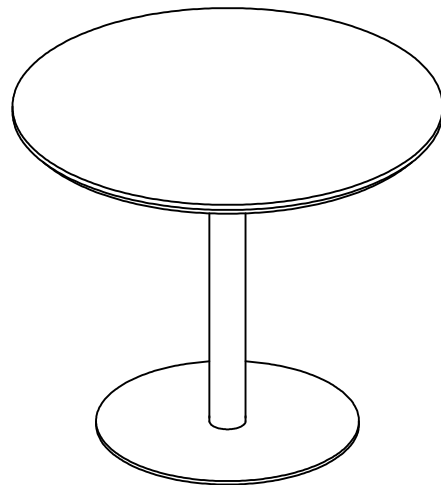
2

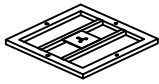
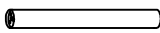

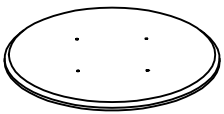






3



4



A X1	B X1
	
C X1	D X1
	

E X1	F X3
	
G X3	H X4
	
I X7	
