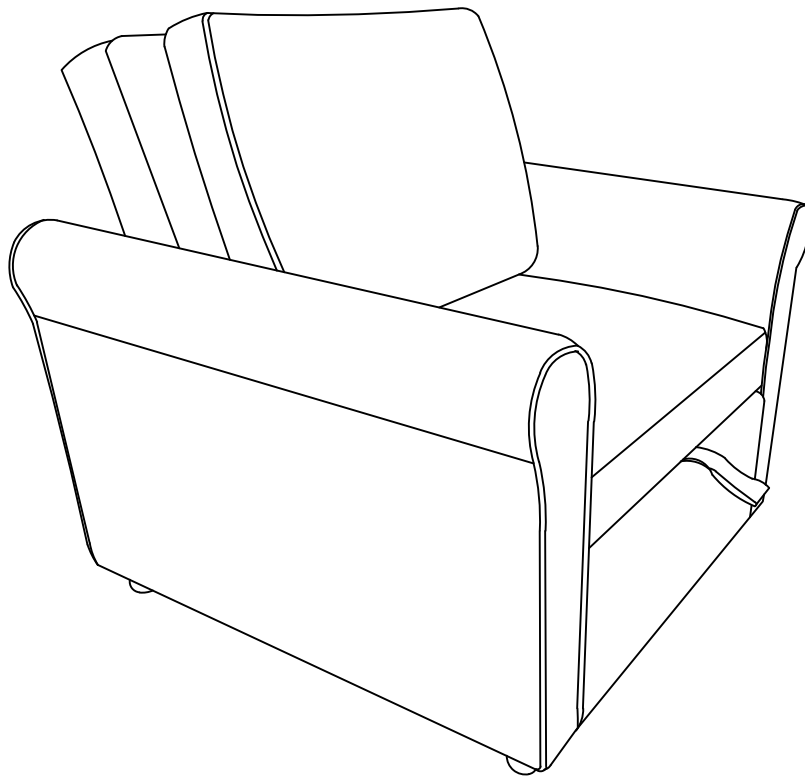
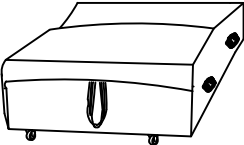
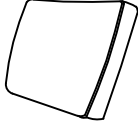


# Assembly Instructions

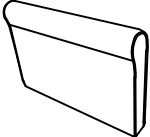
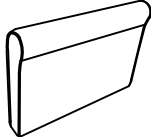
## SOFA & ARM




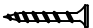

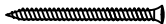
## PARTS LIST

#1 x 1pc	#2 x 1pc
	
Seat	Pillow

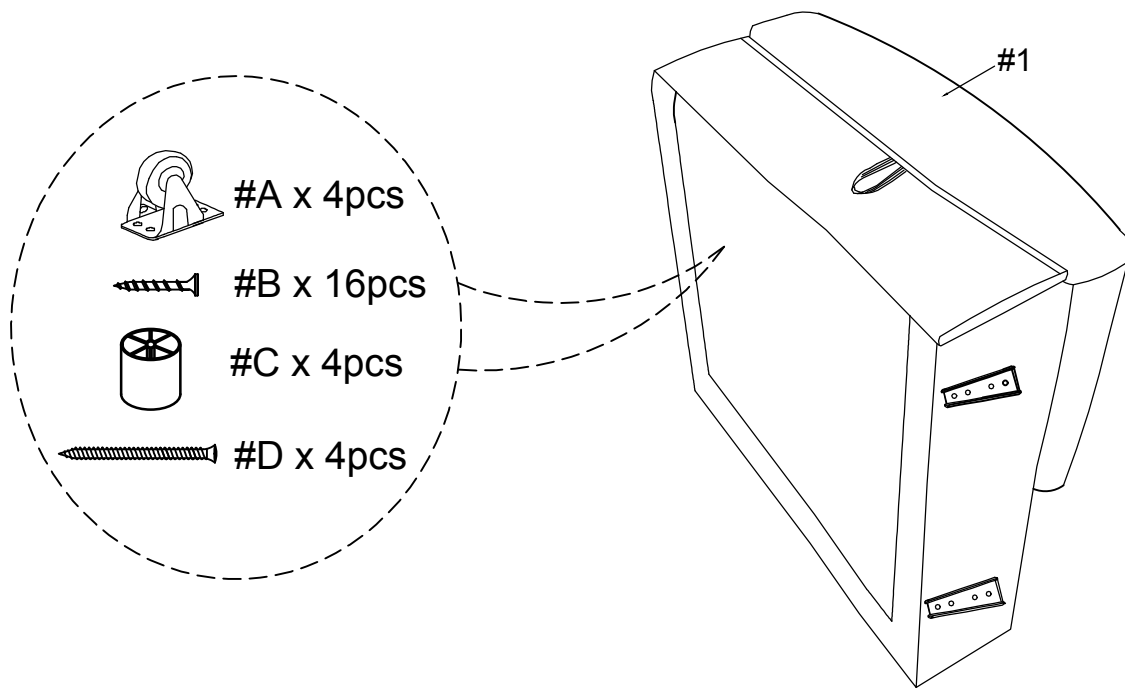
## PARTS LIST

#3 x 1pc	#4 x 1pc
	
Left Arm	Right Arm

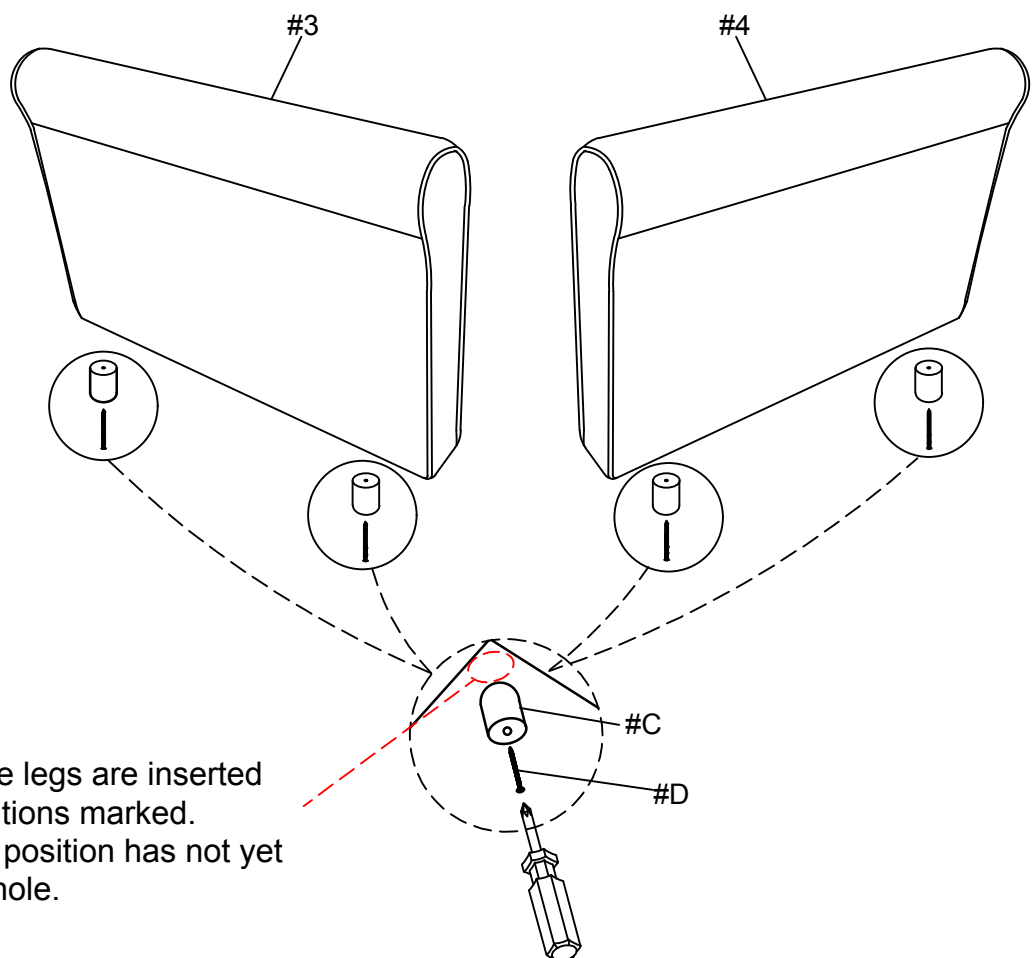
## HARDWARE

#A x 4pcs	#B x 16pcs	#C x 4pcs	#D x 4pcs
			
Roller	Screw #8 x 25mm	Legs	Screw #8 x 45mm

# Step 1.

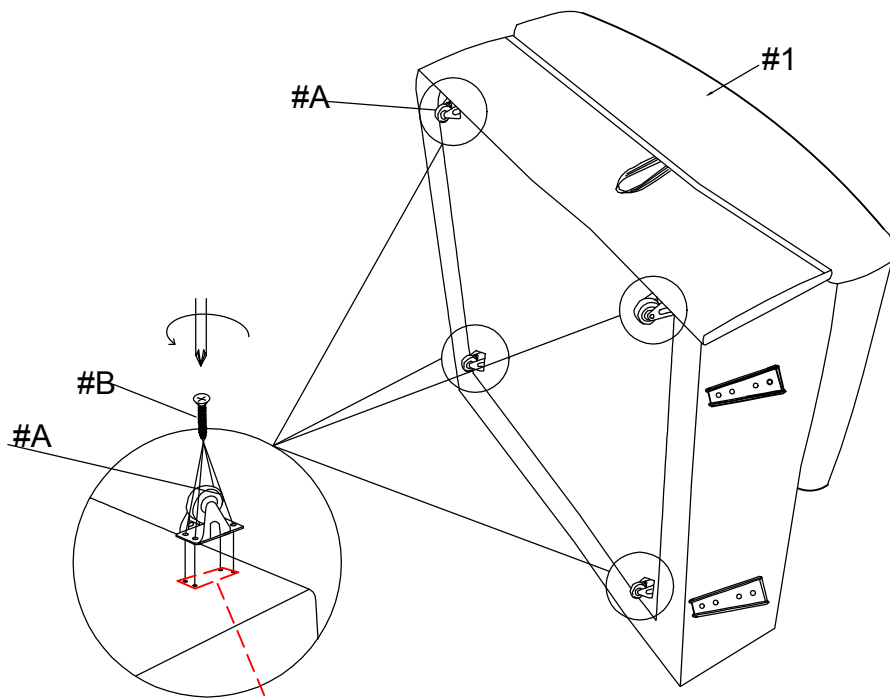


# Step 2 .



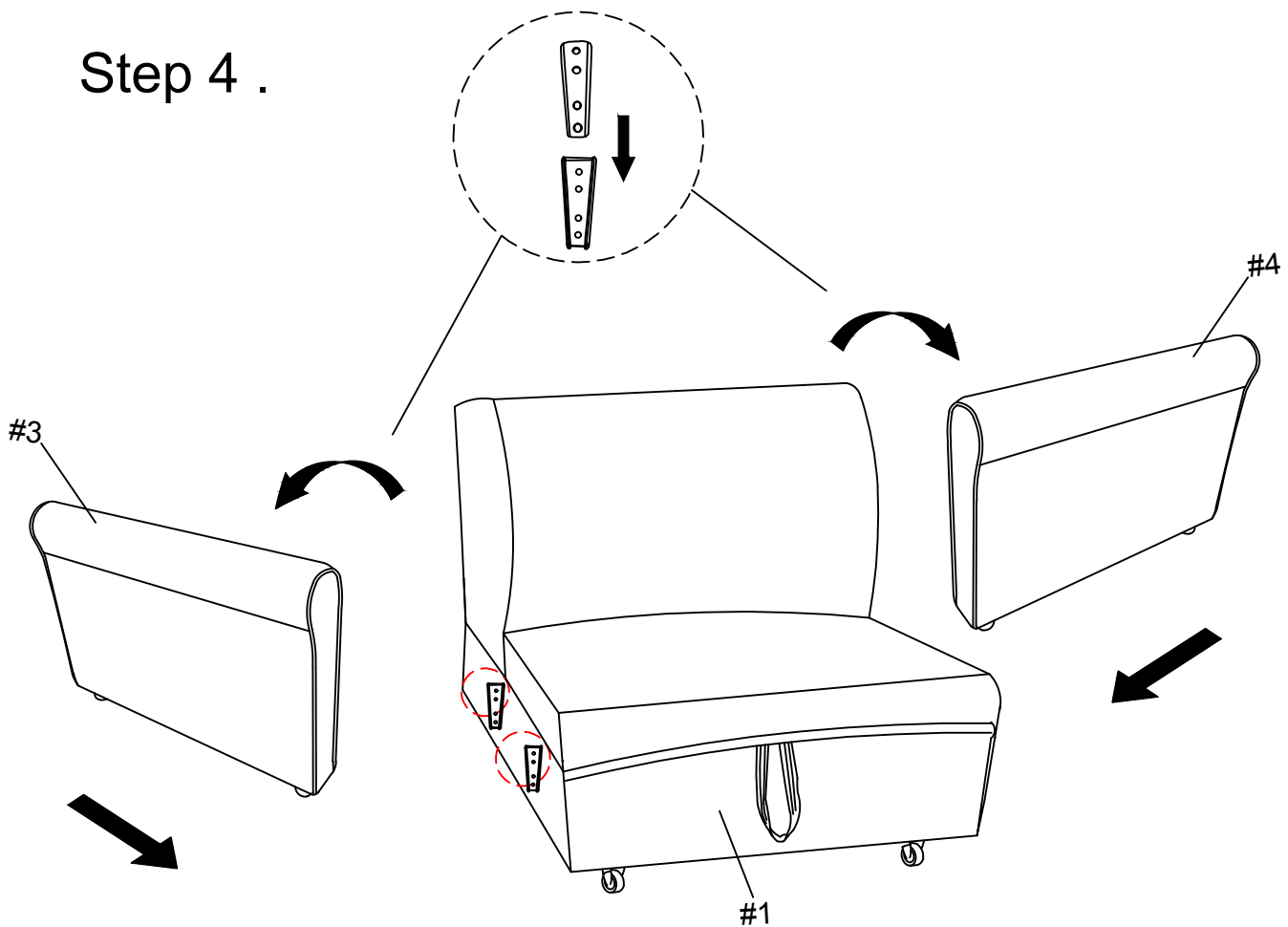
Make sure that the legs are inserted in the correct positions marked.  
Note: the marked position has not yet drilled the screw hole.

### Step 3.

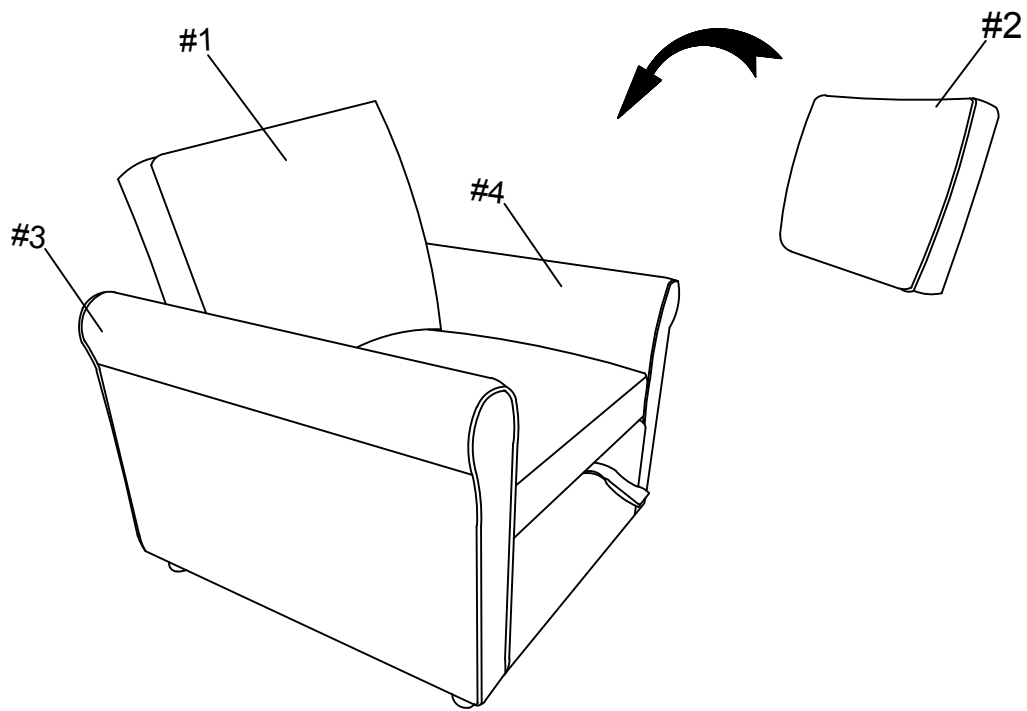


Make sure the wheel is installed in the marked position.  
Note: the marked position has not yet drilled the screw hole.

### Step 4 .



# Step 5.



# Step 6 .

