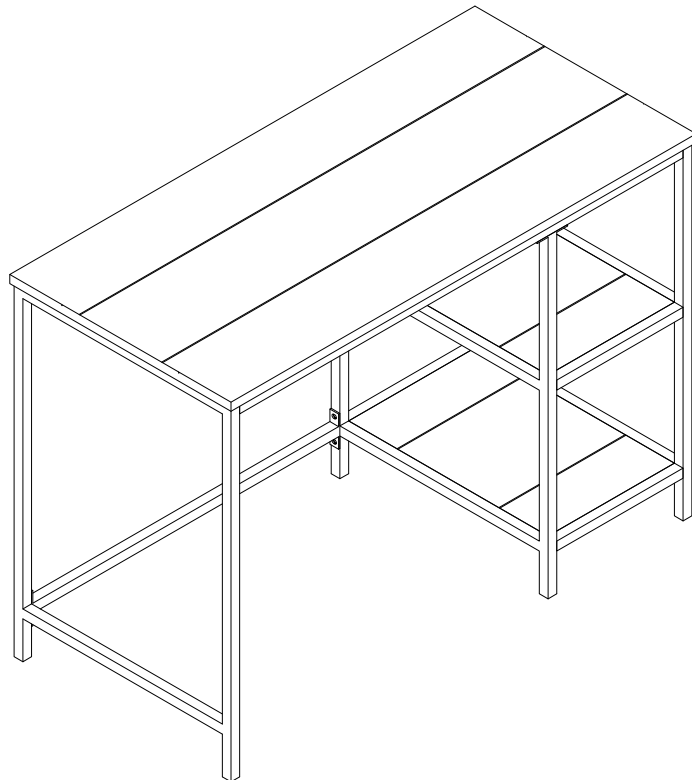
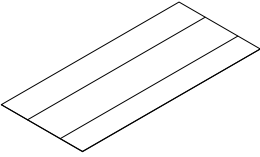
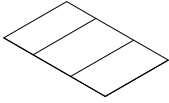
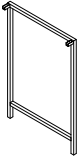
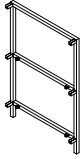
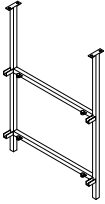
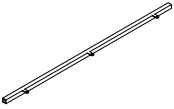
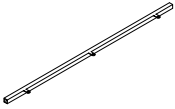

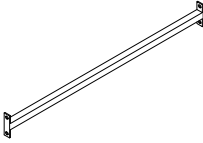


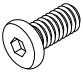
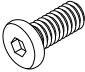
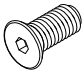

# Desk



# PART LIST

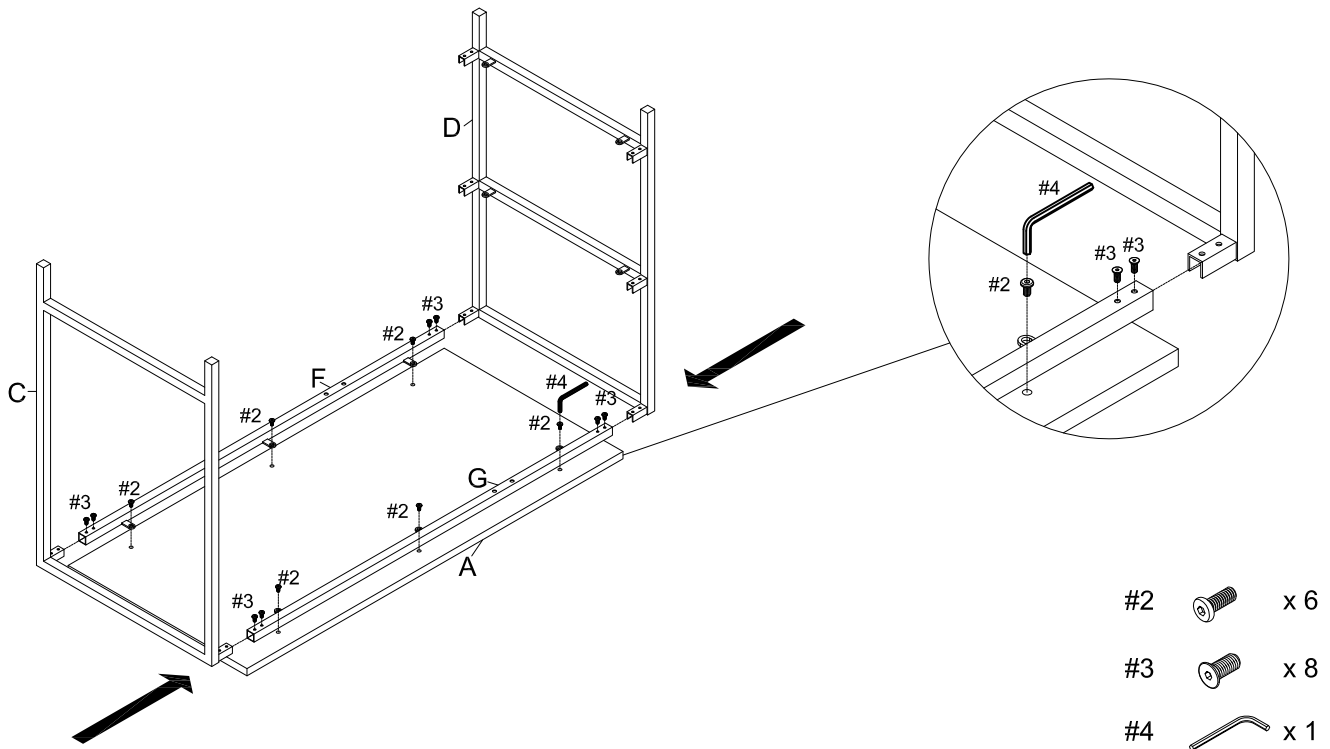
<p><b>A</b></p> 	<p><b>B</b></p> 	<p><b>C</b></p> 	<p><b>D</b></p> 	<p><b>E</b></p> 
<p>Wood Top 1 PC</p>	<p>Wood Shelf 2 PCS</p>	<p>Left Panel 1 PC</p>	<p>Right Panel 1 PC</p>	<p>Middle Panel 1 PC</p>
<p><b>F</b></p> 	<p><b>G</b></p> 	<p><b>H</b></p> 	<p><b>I</b></p> 	
<p>Front Rail 1 PC</p>	<p>Back Rail 1 PC</p>	<p>Shelf Rail 4 PCS</p>	<p>Bottom Rail 1 PC</p>	

# HARDWARE LIST

<p><b>#1</b></p> 	<p><b>#2</b></p> 	<p><b>#3</b></p> 	<p><b>#4</b></p> 
<p>1/4 x 3/8"</p> <p>Short Bolt 8 PCS (Extra 1)</p>	<p>1/4" x 1/2"</p> <p>Bolt 6 PCS (Extra 1)</p>	<p>1/4" x 1/2"</p> <p>Sunk Bolt 24 PCS (Extra 1)</p>	<p>Allen Wrench 1 PC</p>

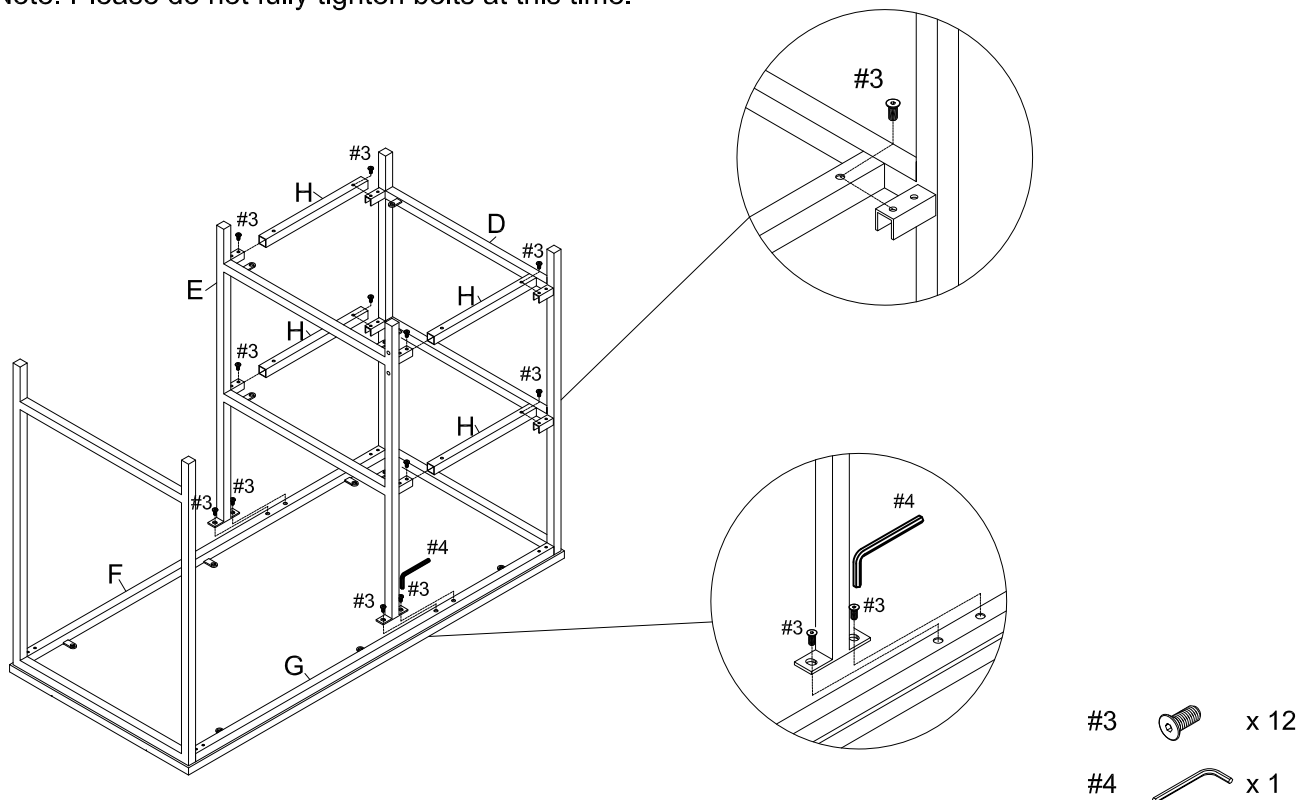
Step 1. Carefully lay wood top (part A) upside down on a flat, soft surface, such as carpet. Attach rails (parts F & G) to wood top (part A) using bolts (part #2) and allen wrench (part #4). Attach panels (parts C & D) by inserting into rails (parts F & G) using sunk bolts (part #3) and allen wrench (part #4).

Note: Please do not fully tighten bolts at this time.



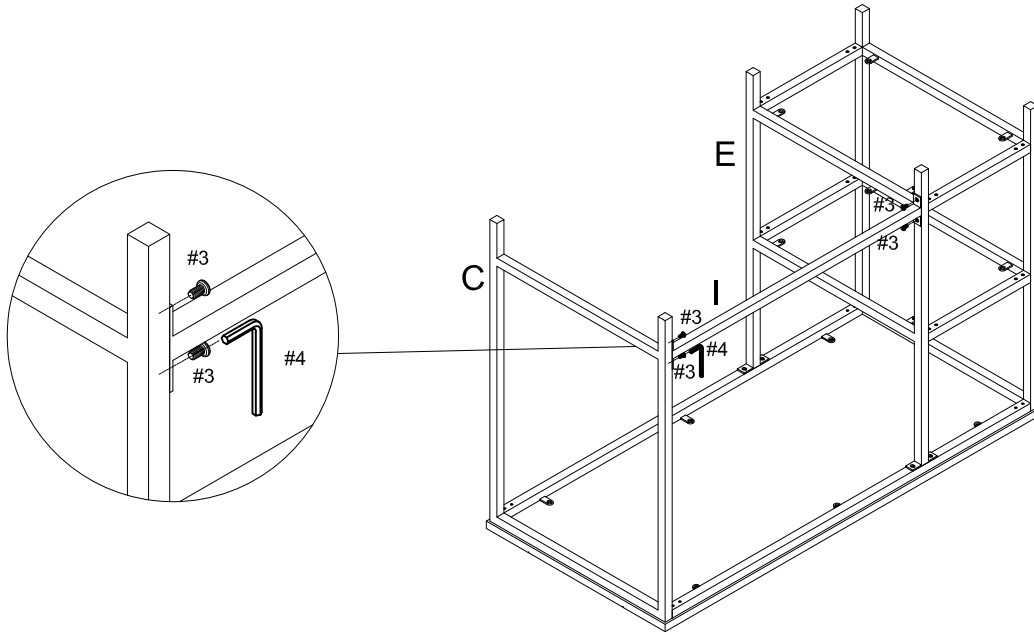
Step 2. Attach shelf rails (part H) into right panel (part D). Attach middle panel (part E) by inserting into shelf rails (part H) then to rails (parts F & G) using sunk bolts (part #3) and allen wrench (part #4).


Note: Please do not fully tighten bolts at this time.



Step 3. Attach bottom rail (part I) between left panel (part C) and middle panel (part E) using sunk bolts (part #3) and allen wrench (part #4).

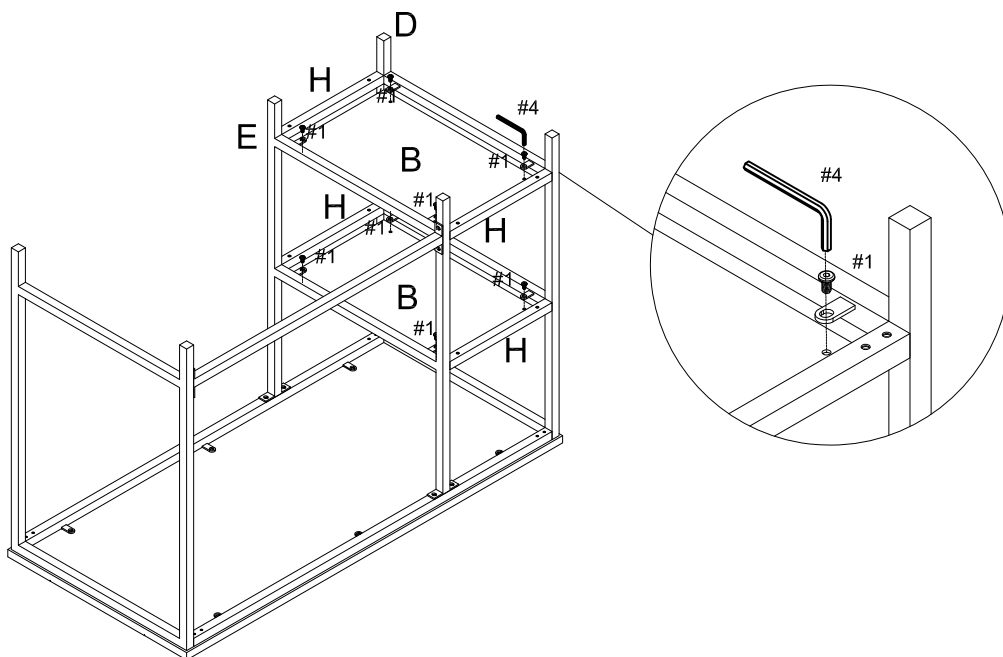
Note: Please fully tighten all bolts at this time.



- #3  x 4
- #4  x 1

Step 4. Attach wood shelves (part B) to assembled unit (parts D, E & H) using short bolts (part #1) and allen wrench (part #4).

Note: Please fully tighten all bolts at this time.



- #1  x 8
- #4  x 1

Step 5. Carefully turn unit upright.

