

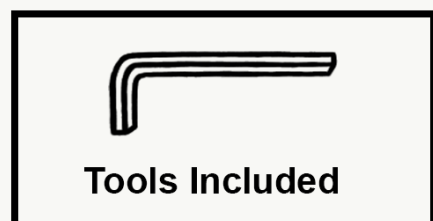
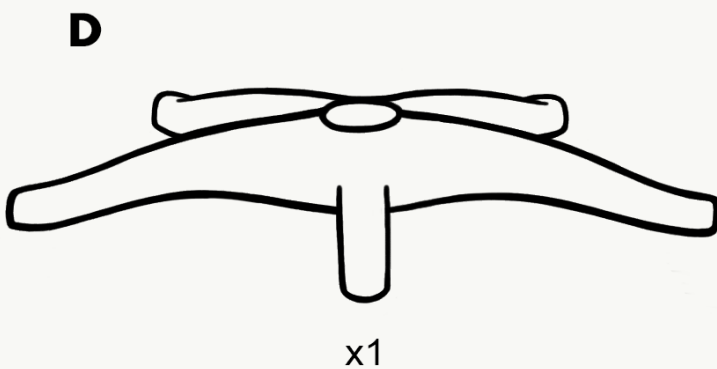
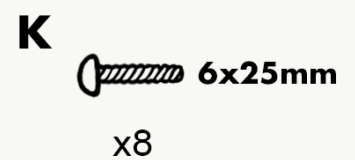
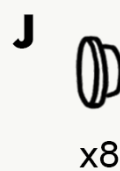
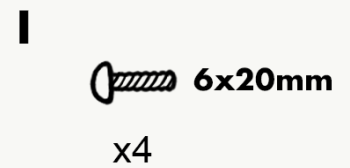
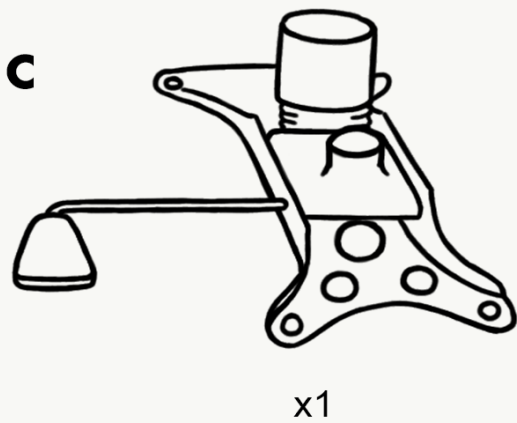
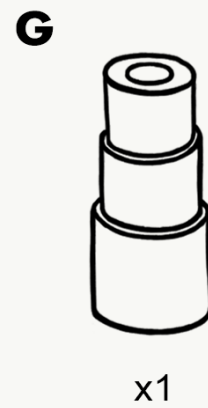
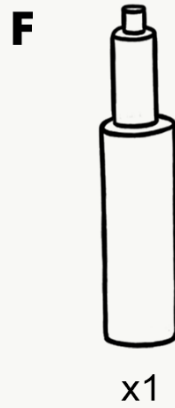
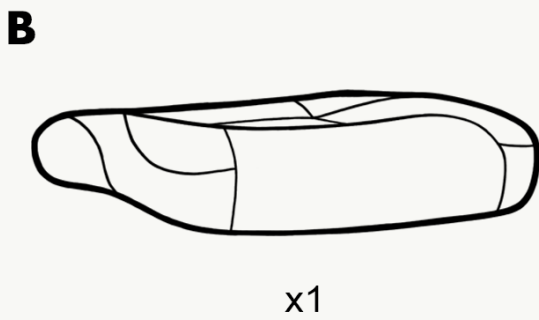
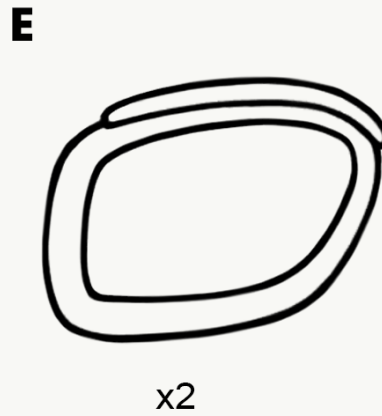
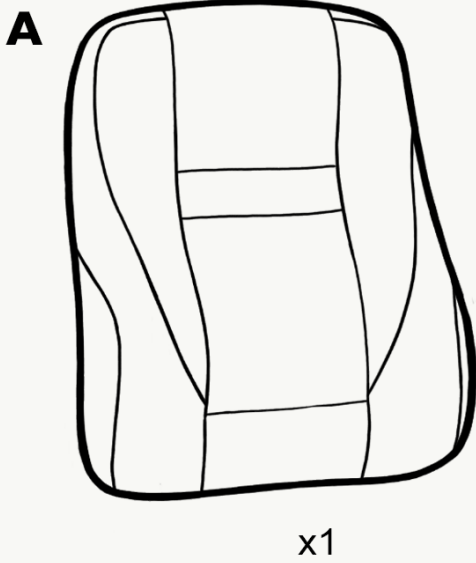
INSTRUCTION MANUAL



Please retain the packaging for a minimum of 30 days or until you are completely satisfied with your product. Charges may apply to replace the packaging if not retained for return purposes.

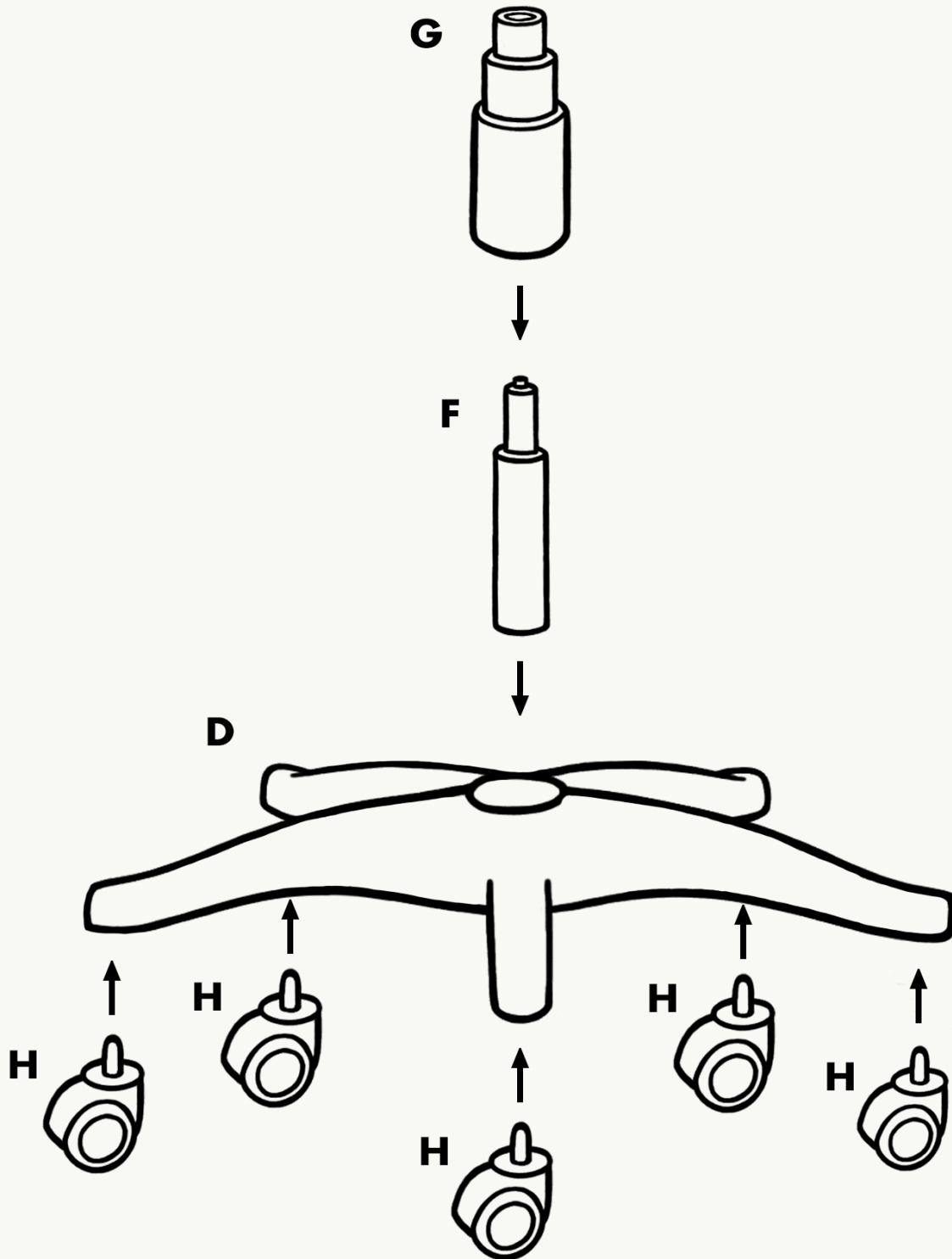
Instructions side 1

2 people recommended
for assembly



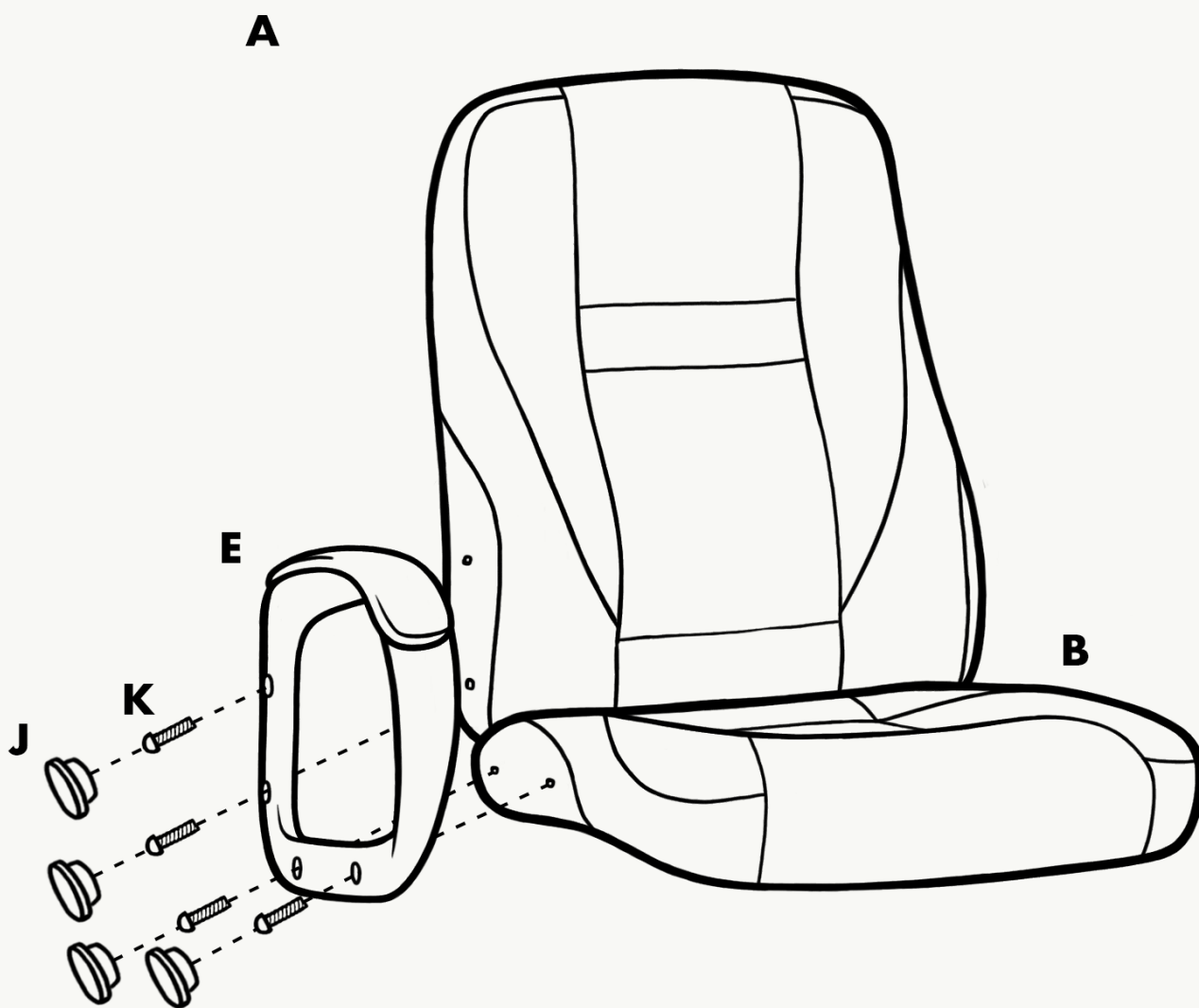
1

Insert gas lift (F) into star base (D) and cover with telescopic cover (G). Pop wheels (H) into sockets in D



Instructions side 2

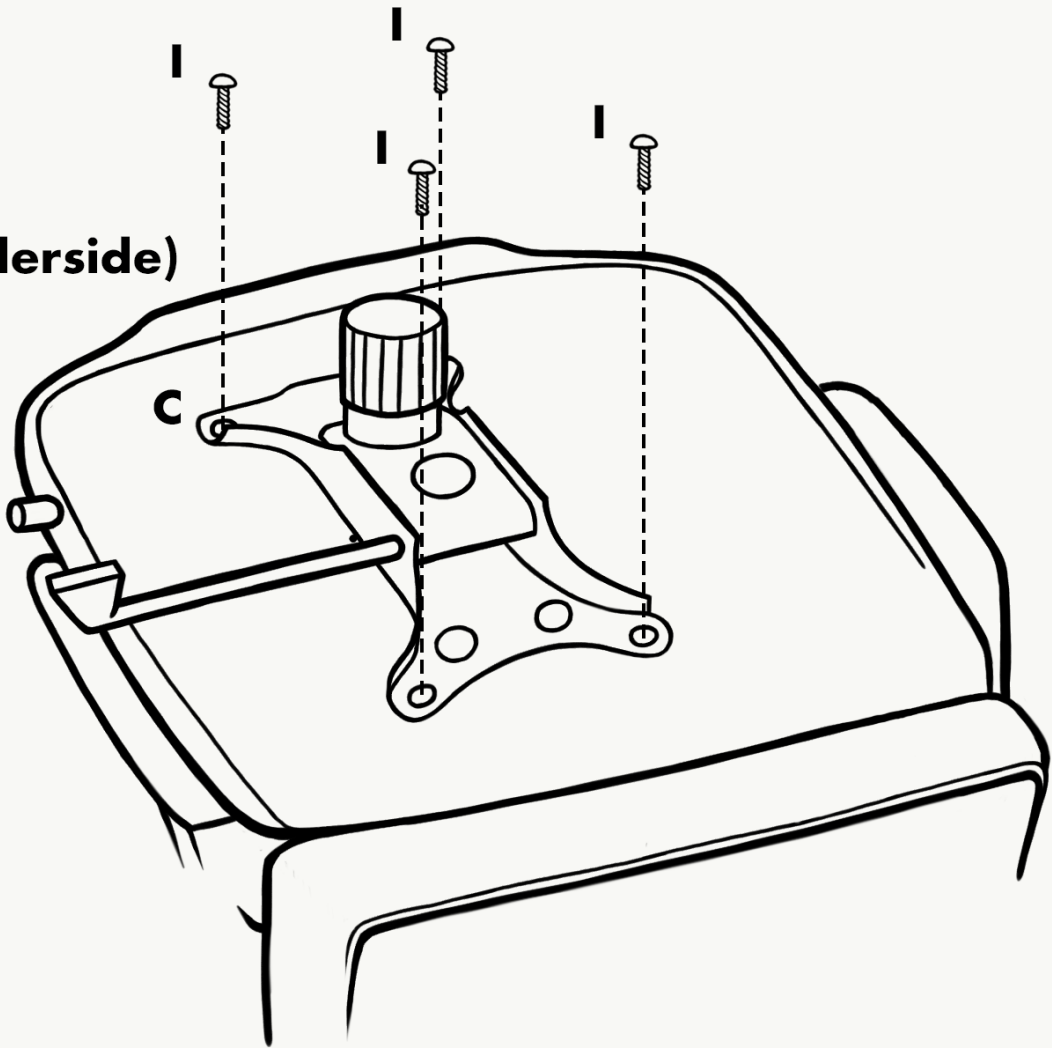
- 2** Screw armrests (E) halfway onto chair back (A) and seat (B). Tighten fully once all screws are in. Then attach screw covers (J)



3

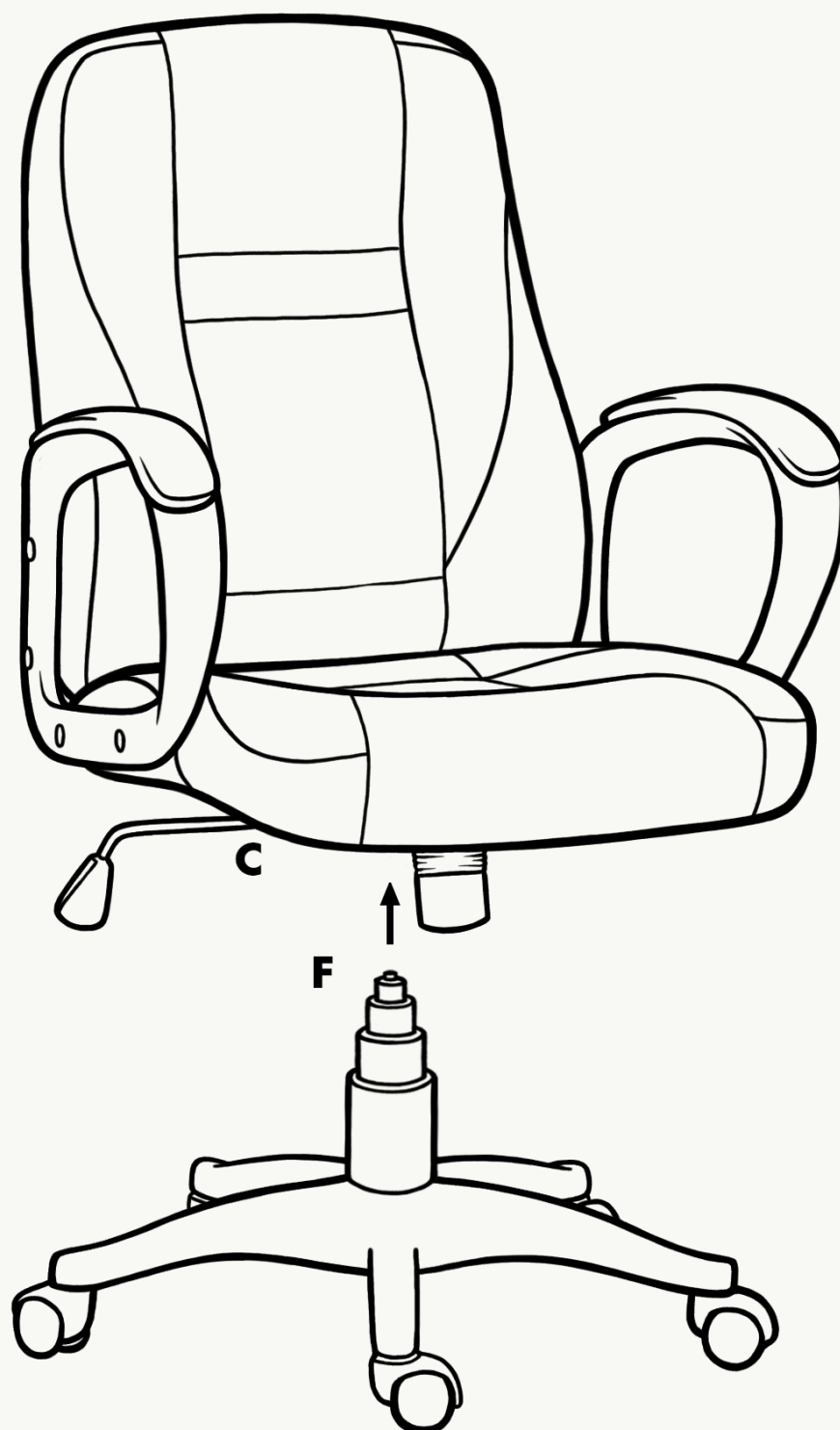
Screw metal plate (C) onto bottom of seat (B)

B (underside)



Instructions side 3

- 4** Insert top of gas lift (F) into hole in metal plate (C)





Tilt function

Pull the lever out and lean back

Height adjustment

To raise and lower the seat, lift the lever.



Dimensions

Back height: 60cm

Seat width: 50cm

Seat depth: 50cm

Seat height: 46~52cm

Armrest height: 67~73cm

Armrest length: 37cm

Weight limit: 120kg

Thank you for choosing our product.

If you are having difficulty with your product and you need support, please contact us.