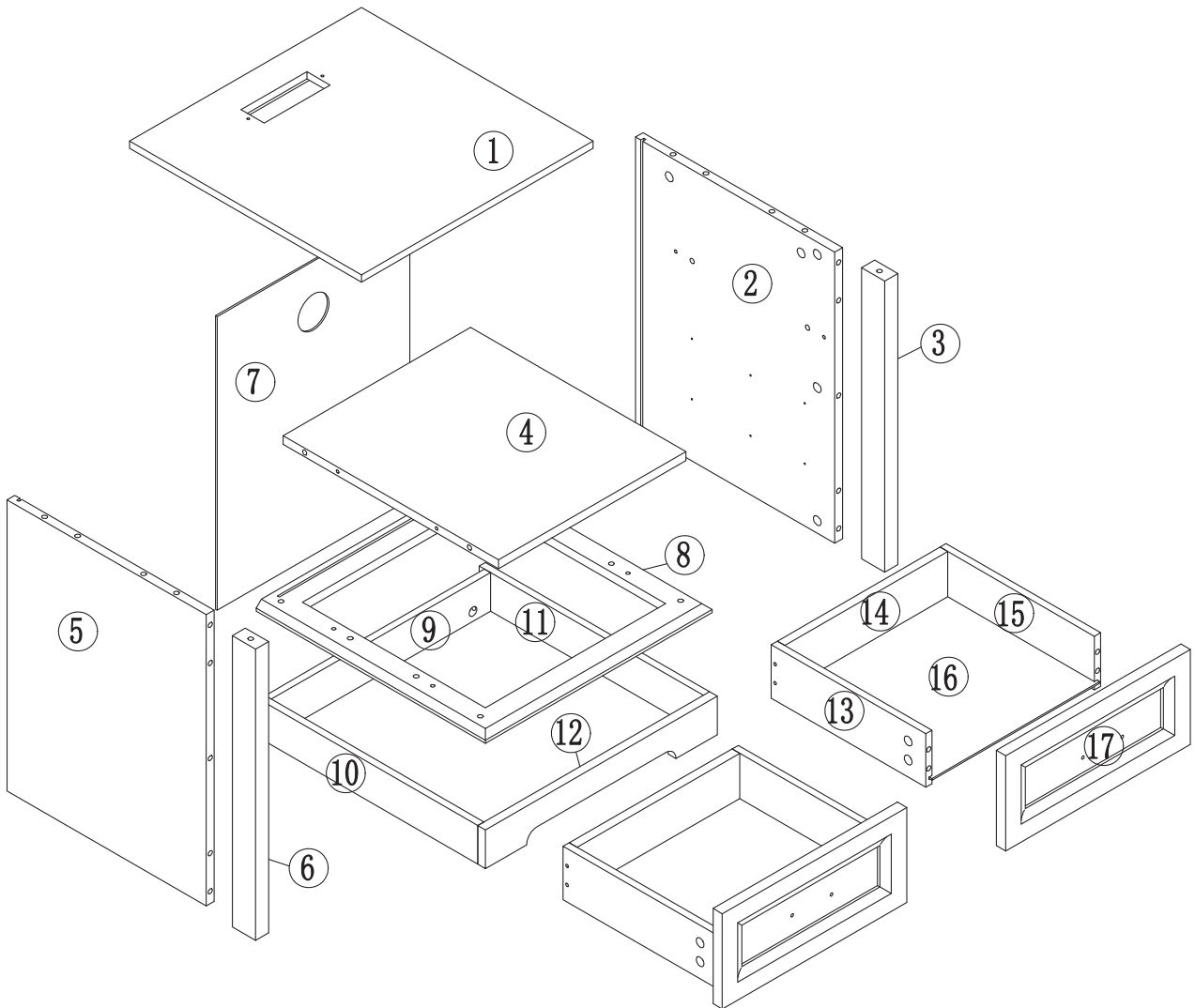


BESIDE TABLE

USER MANUAL

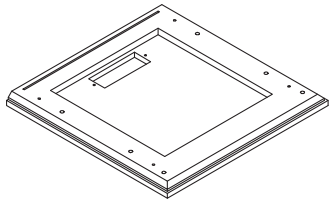
1

ASSEMBLY INSTRUCTIONS

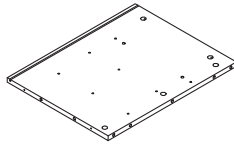


2

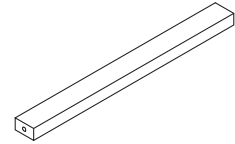
PACKAGING LIST



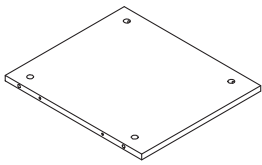
① x1



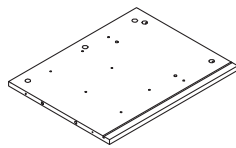
② x1



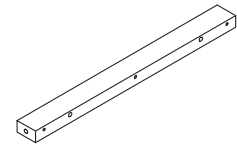
③ x1



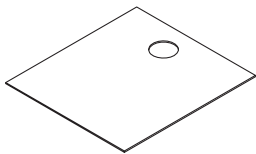
④ x1



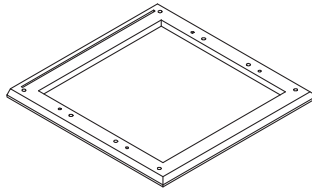
⑤ x1



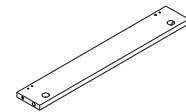
⑥ x1



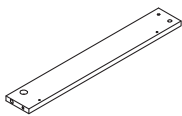
⑦ x1



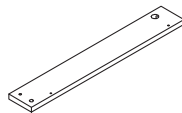
⑧ x1



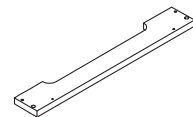
⑨ x1



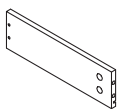
⑩ x1



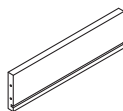
⑪ x1



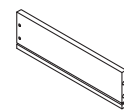
⑫ x1



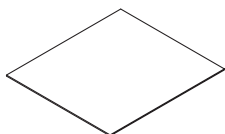
⑬ x2



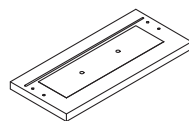
⑭ x2



⑮ x2

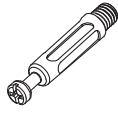





⑯ x2



⑰ x2

PACKAGING LIST


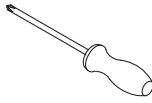
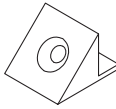

			
(A) 26+2 PCS	(B) 24+2 PCS	(C) 4 PCS	

Ø6×40mm

Ø15×9.5mm



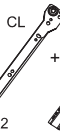



Φ7.8×30mm

Ø14×H4


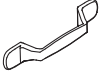

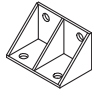
			
(D) 12+2 PCS	(E) 1 PC	(F) 4+2 PCS	

M5*40

Ø3X15mm

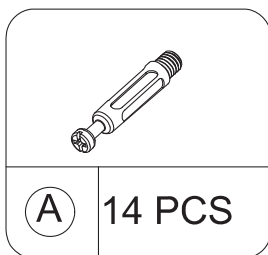
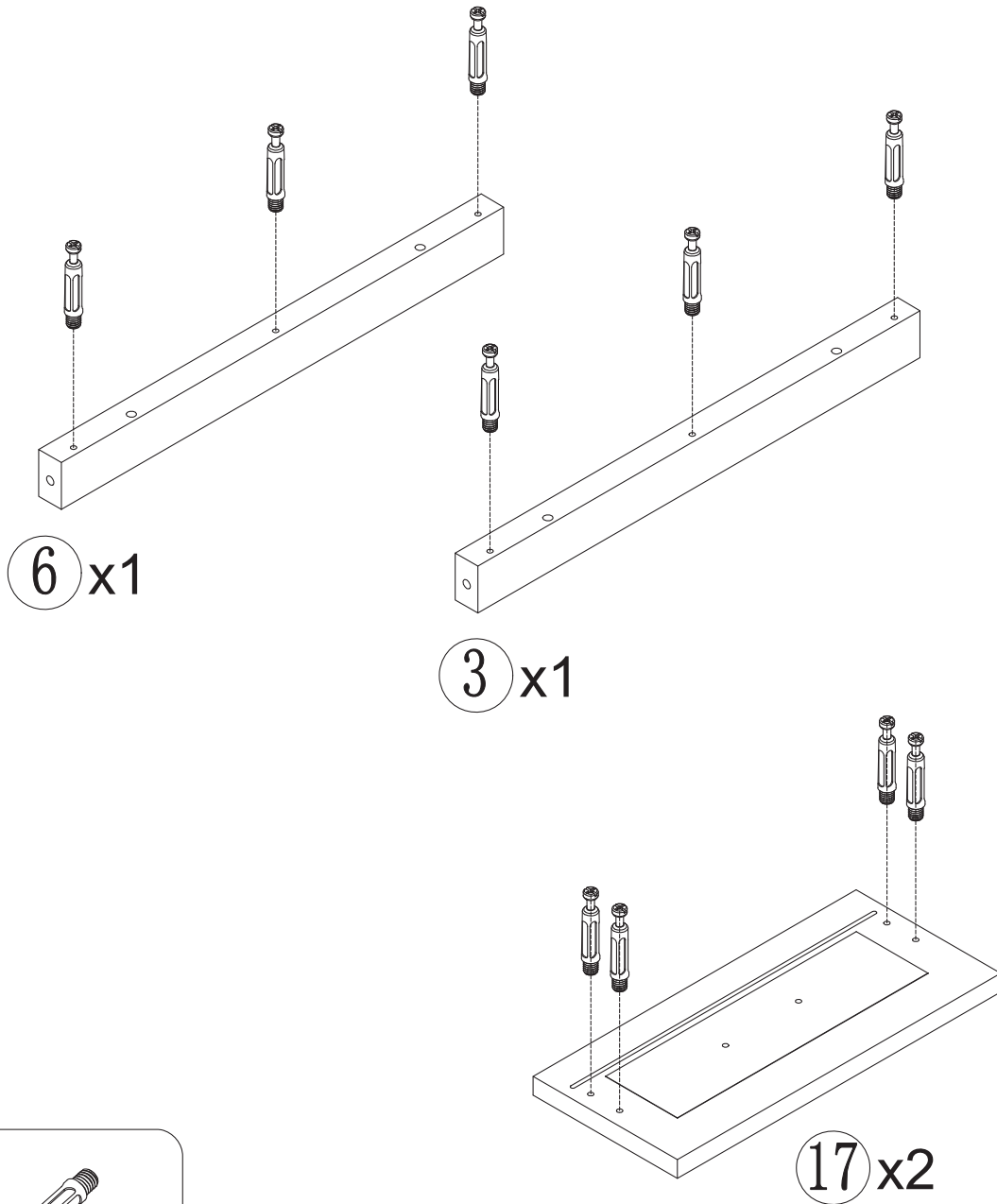
					
(G) 38+4 PCS	(H) 2 sets				

Φ3.5×12mm

			
(J) 1 PC	(K) 2 sets		(L) 4 PCS

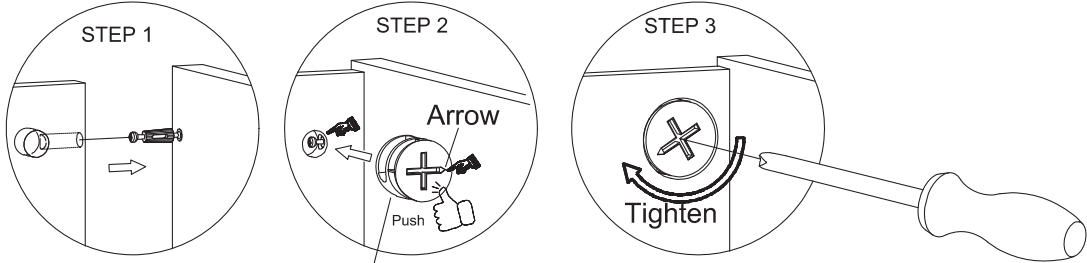
4

STEP 1

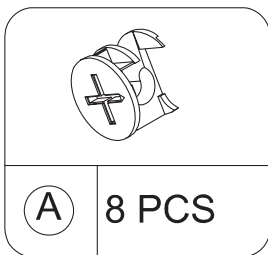
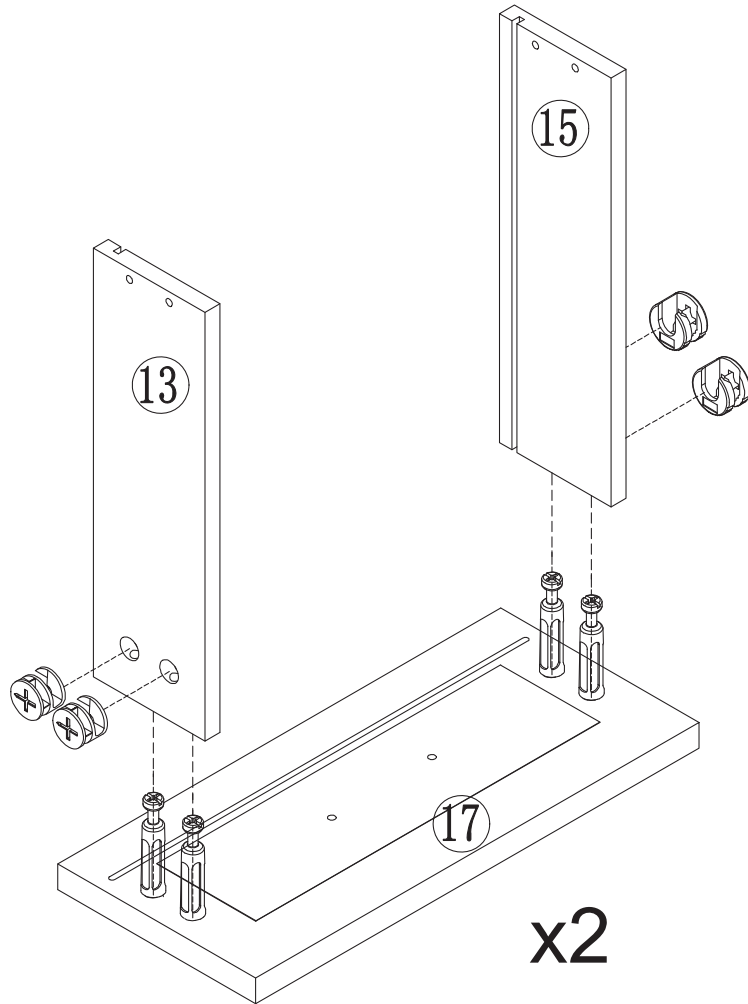


5

STEP 2

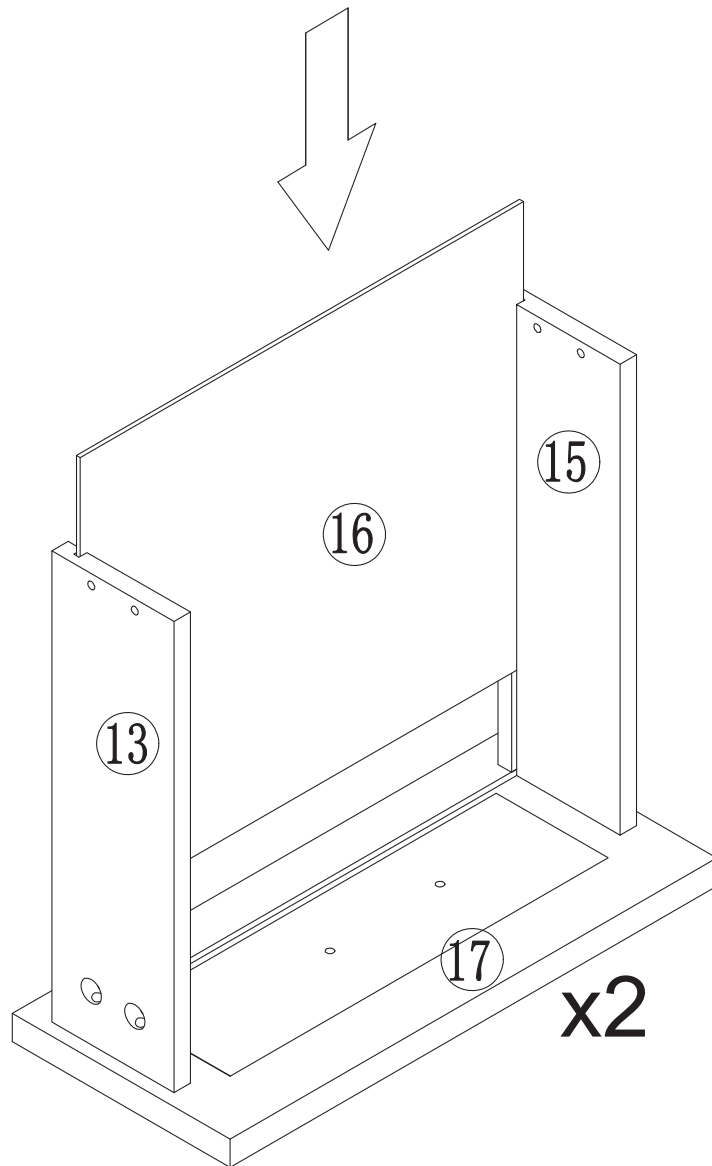


Push the KD cam all the way into the hole before tightening.



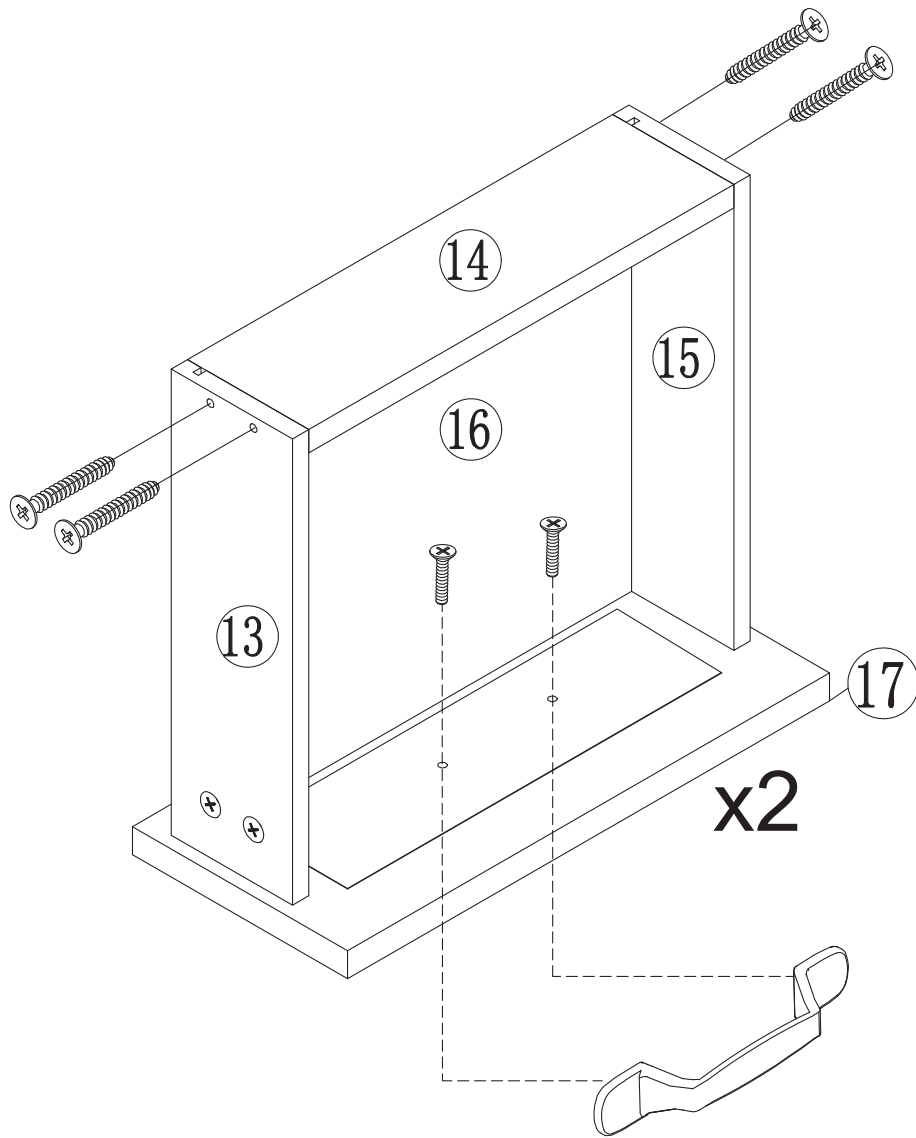
6


STEP 3

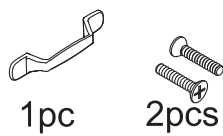


7

STEP 4

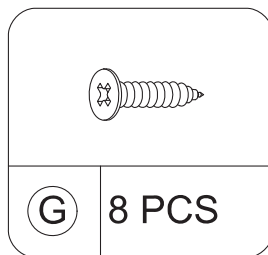
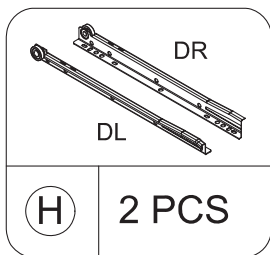
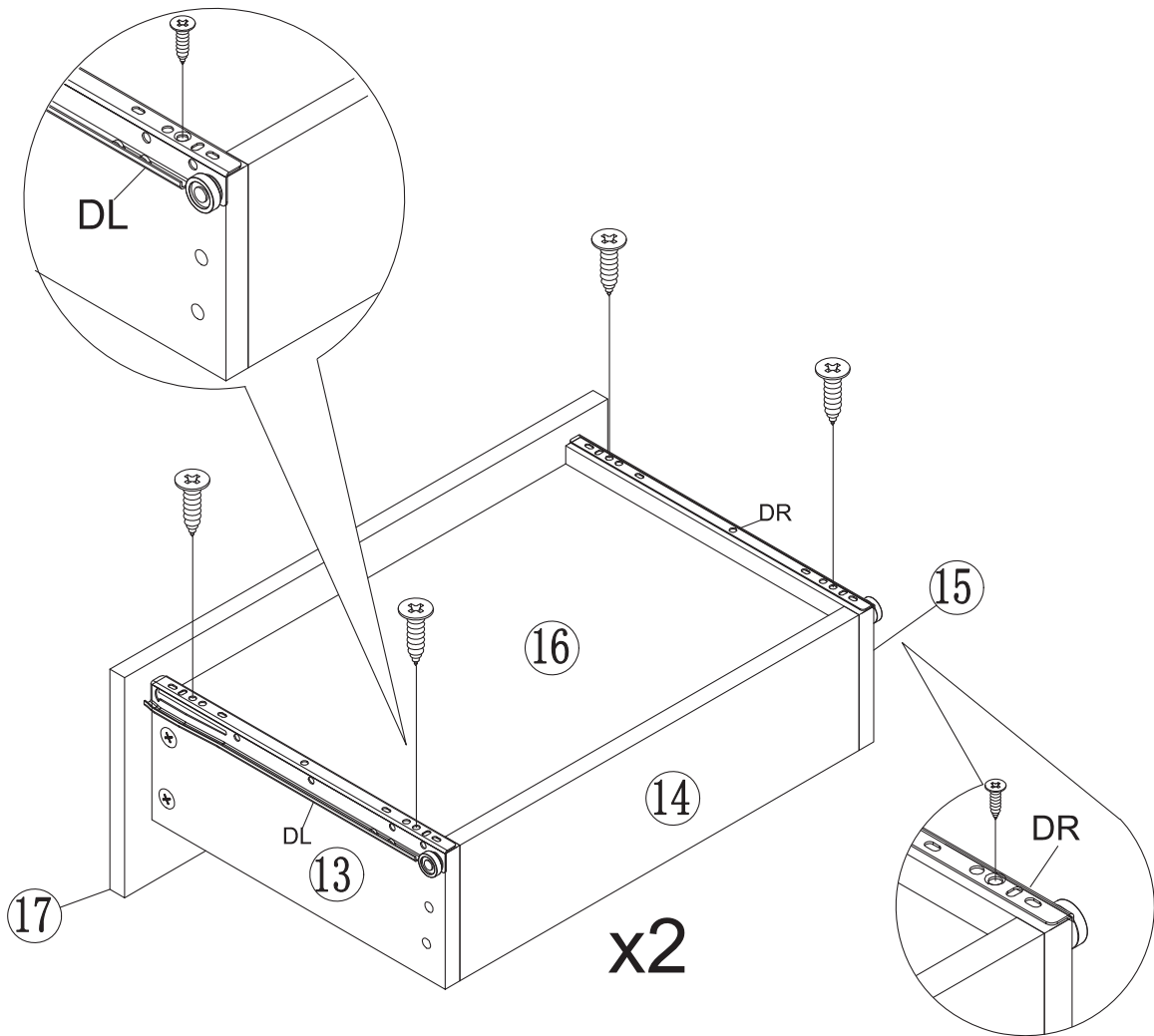


	
(D)	8 PCS

	
	1pc 2pcs
(K)	2 sets

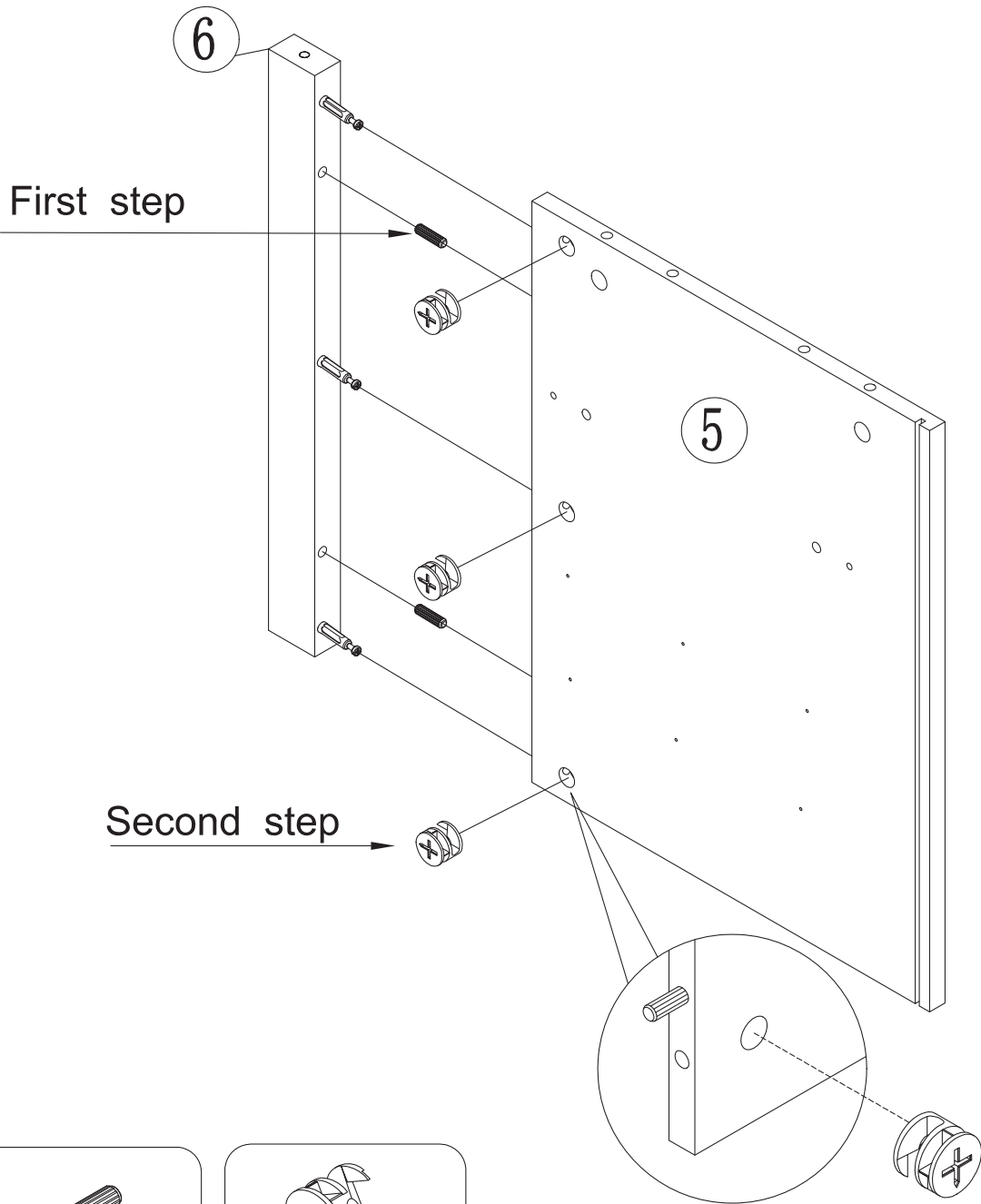
8


STEP 5




9

STEP 6

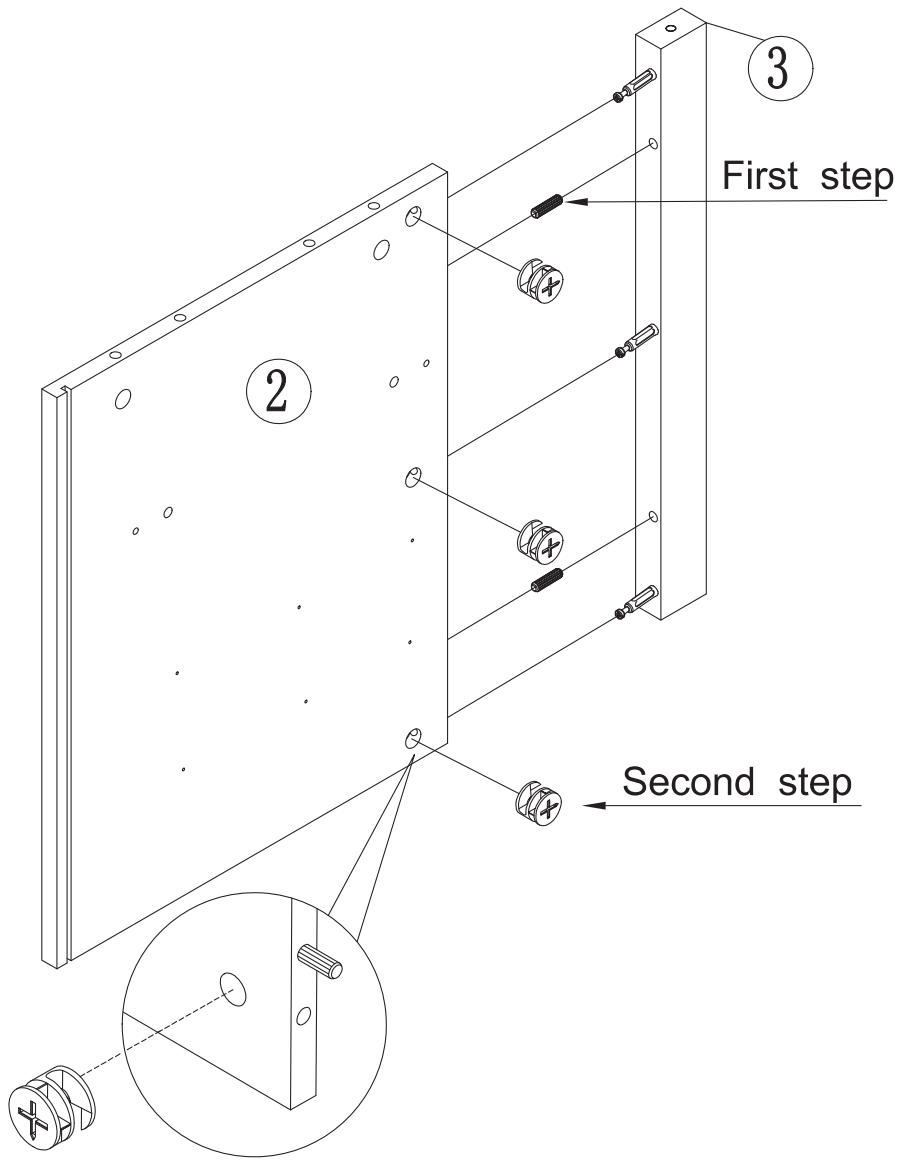




(B) 2 PCS

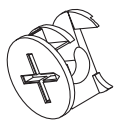

(A) 3 PCS

10

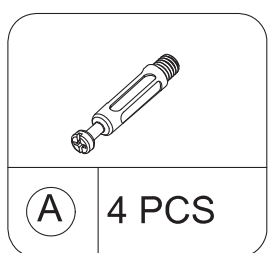
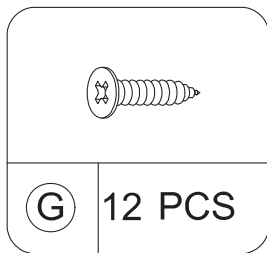
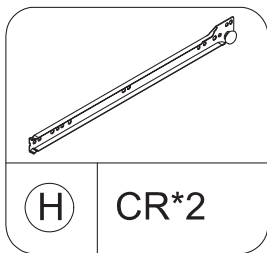
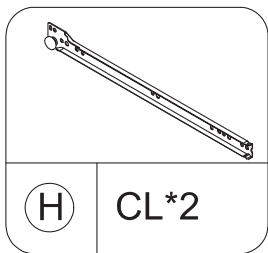
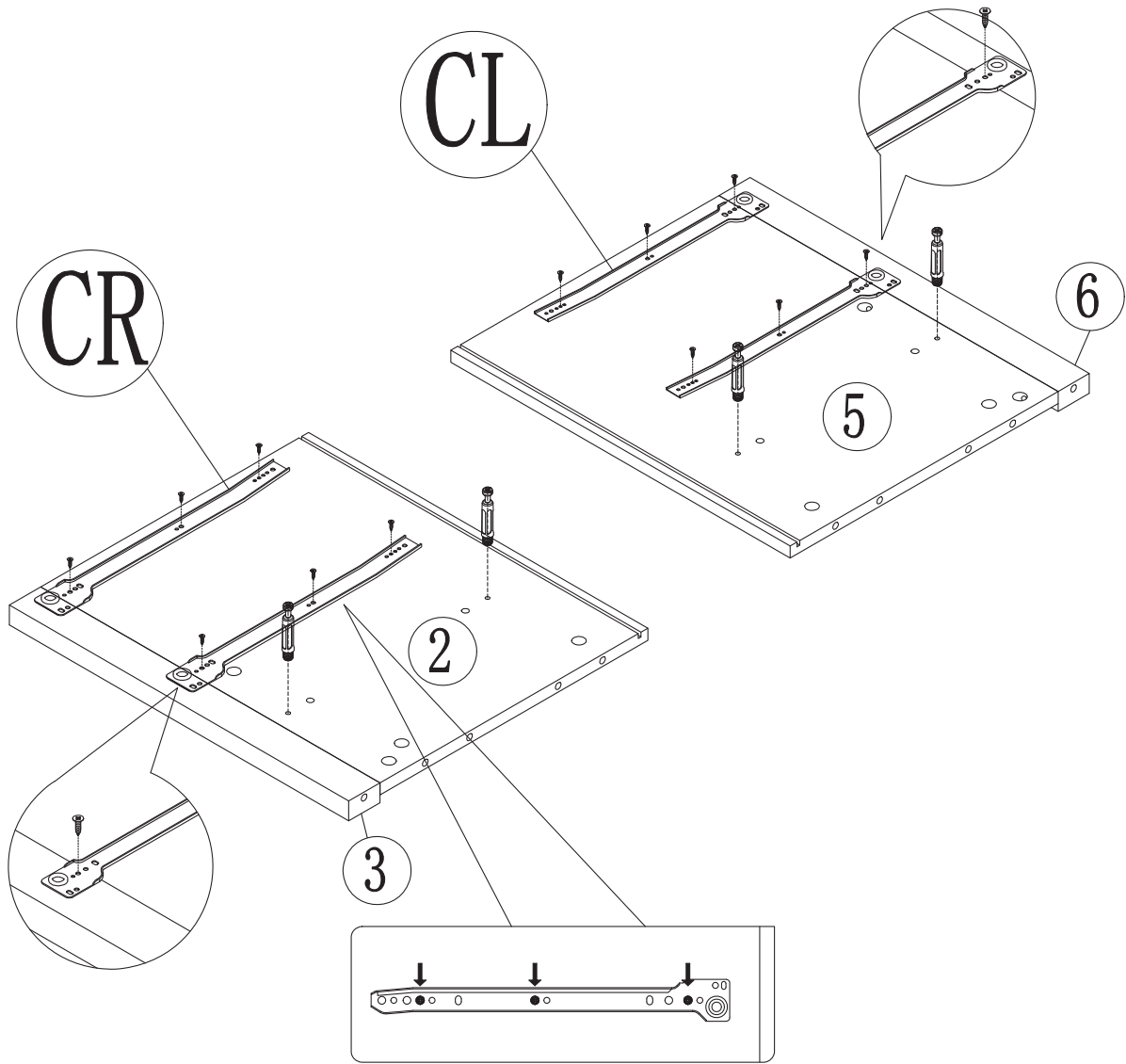
STEP 7



	
(B)	2 PCS

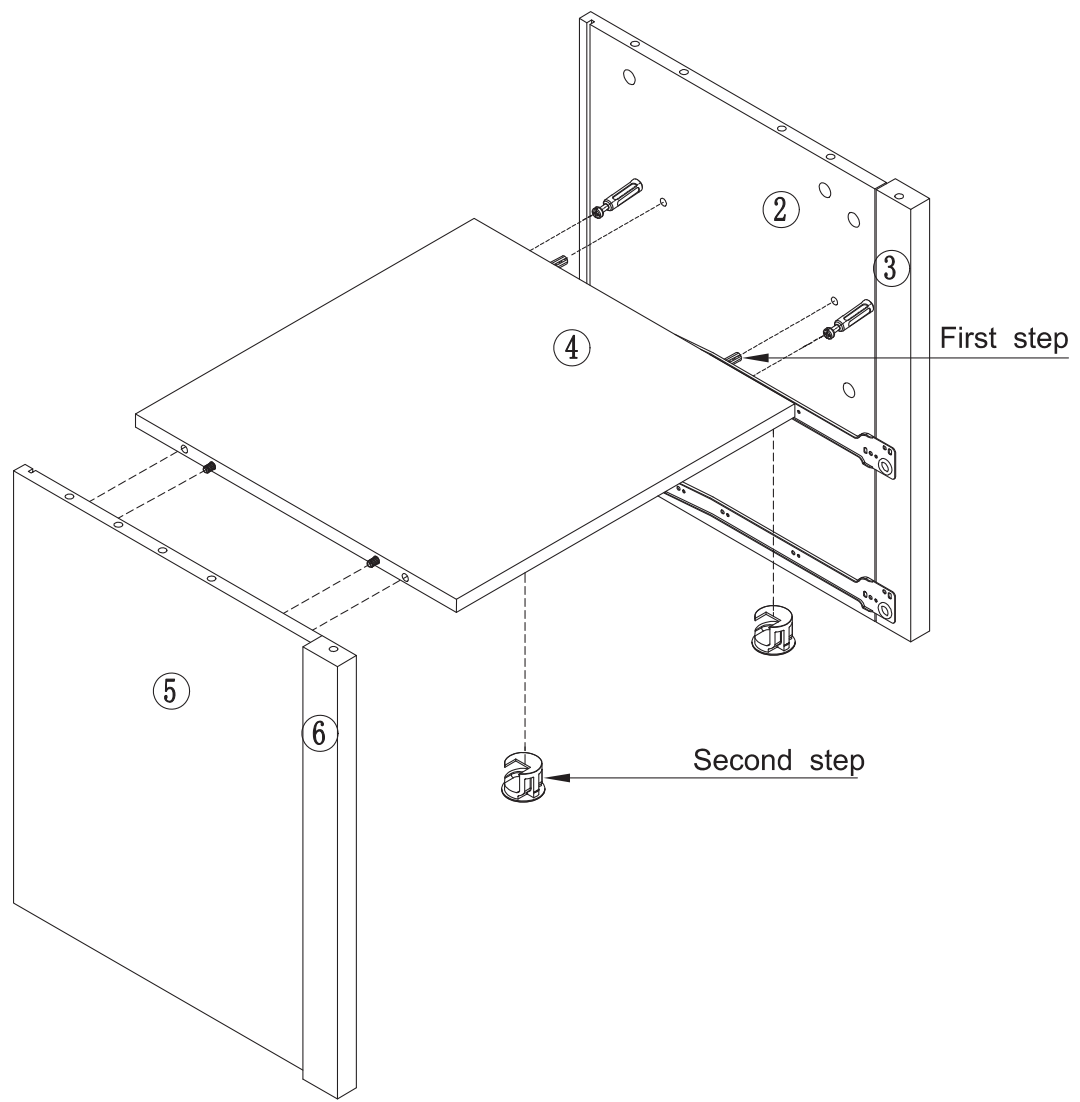
	
(A)	3 PCS

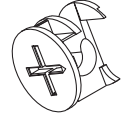
STEP 8




12

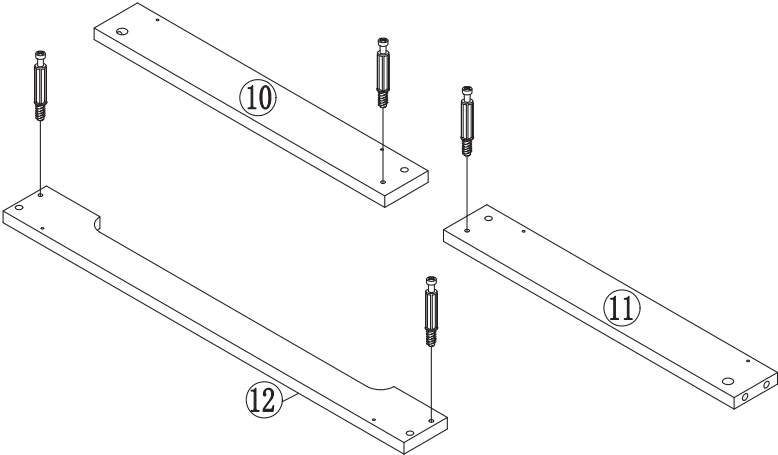
STEP 9




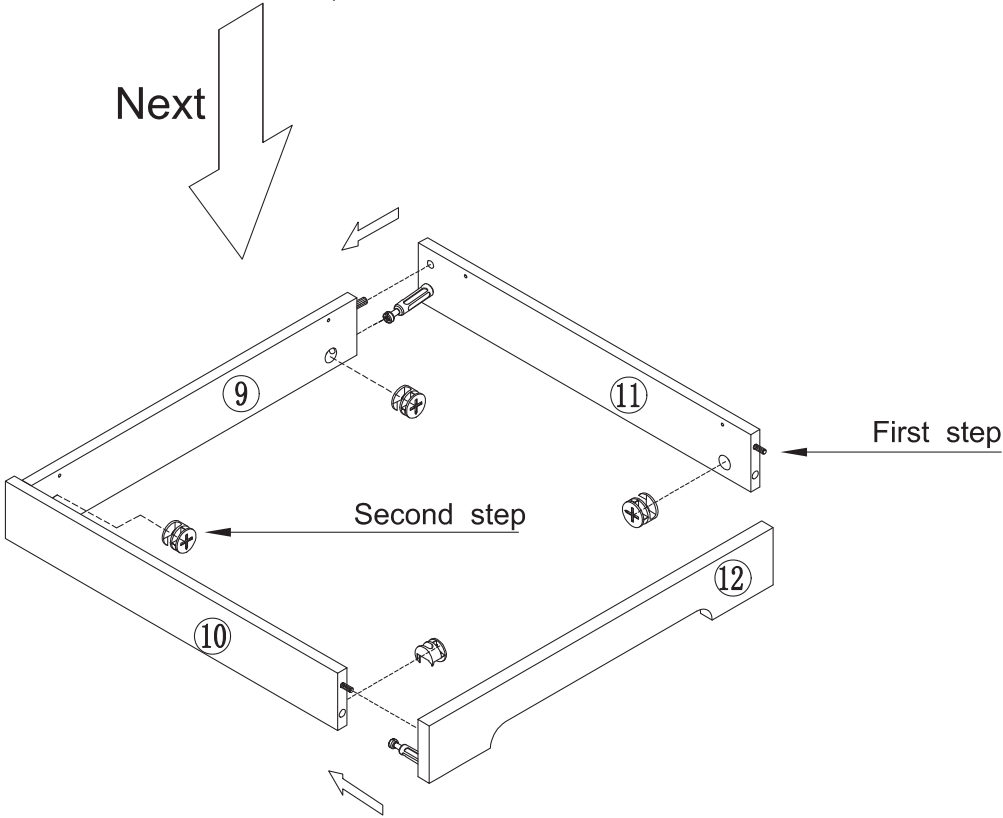
	
(A)	4 PCS

	
(B)	4 PCS


STEP 10



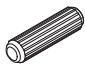
Next



(A) 4 PCS



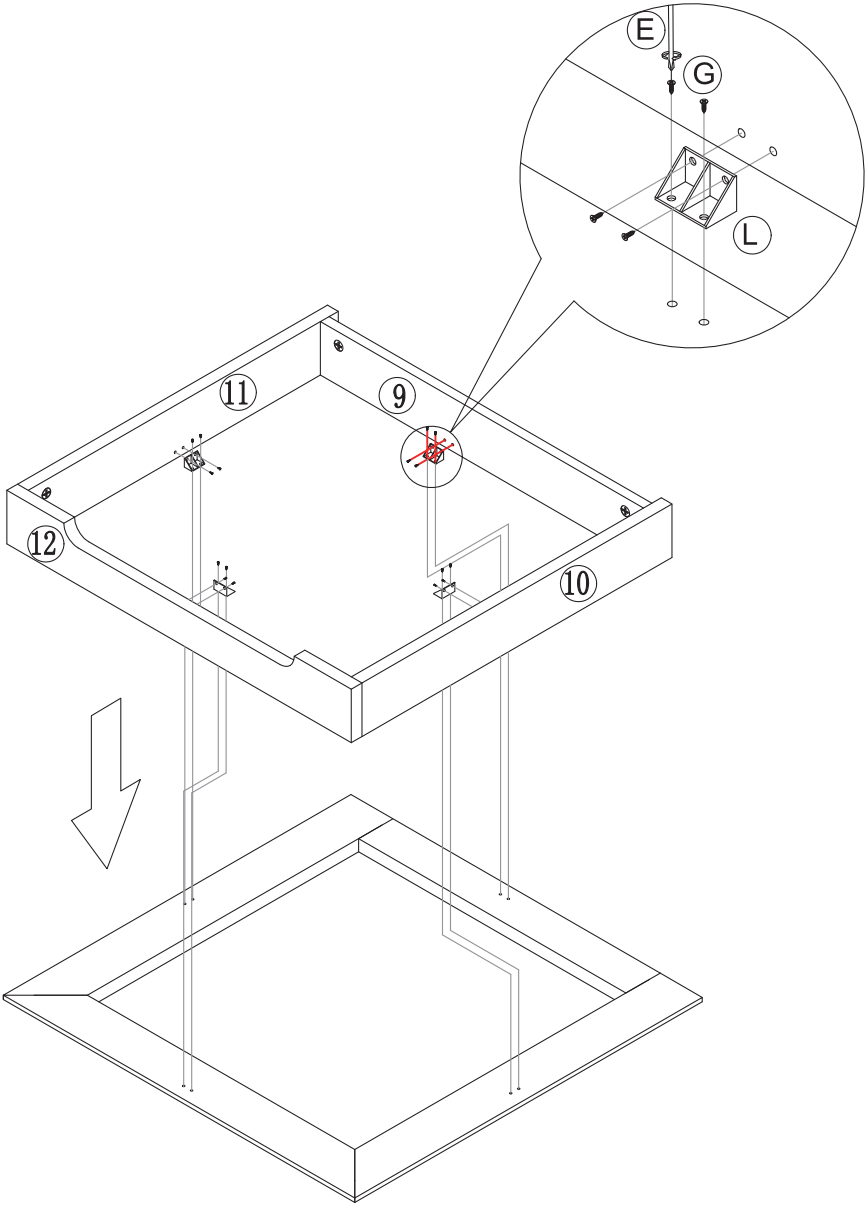
(A) 4 PCS

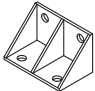



(B) 4 PCS

14

STEP 11

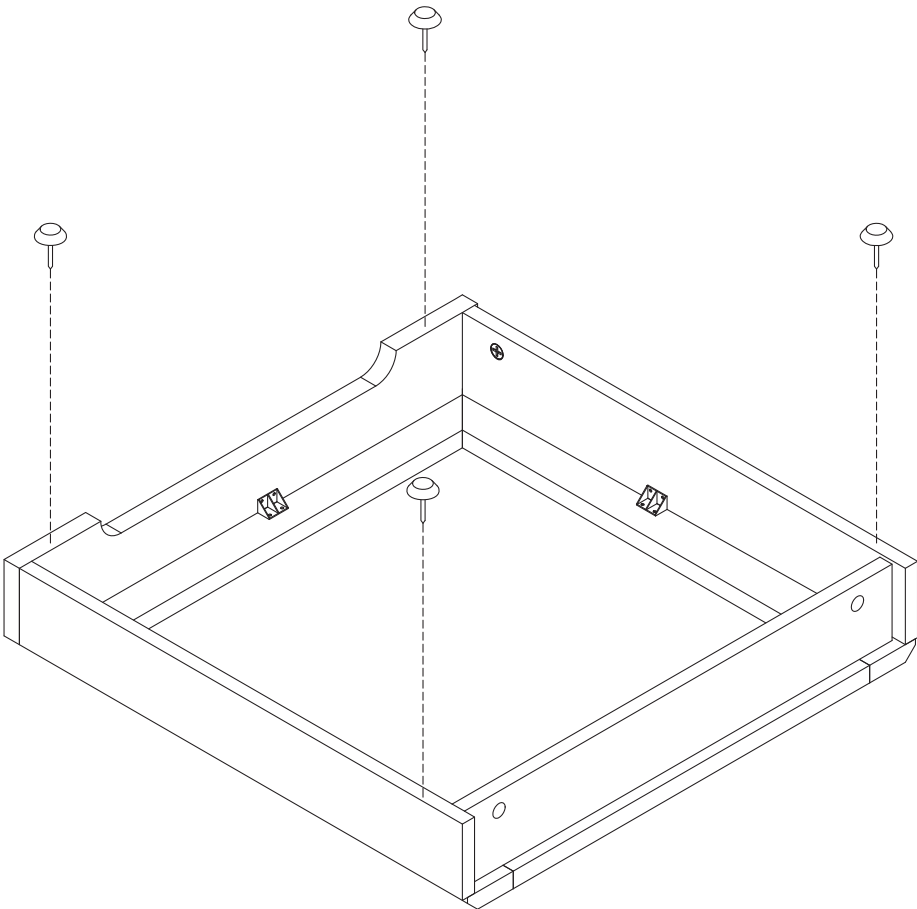




(L) 4 PCS


(G) 16 PCS

15

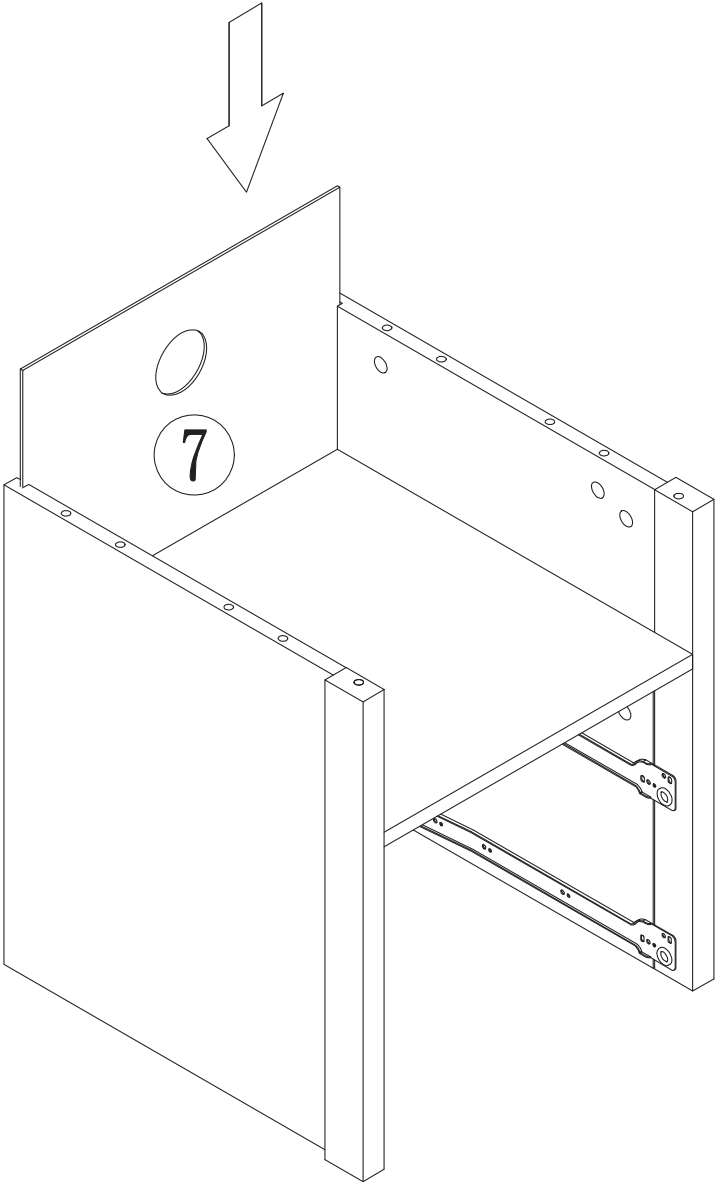
STEP 12



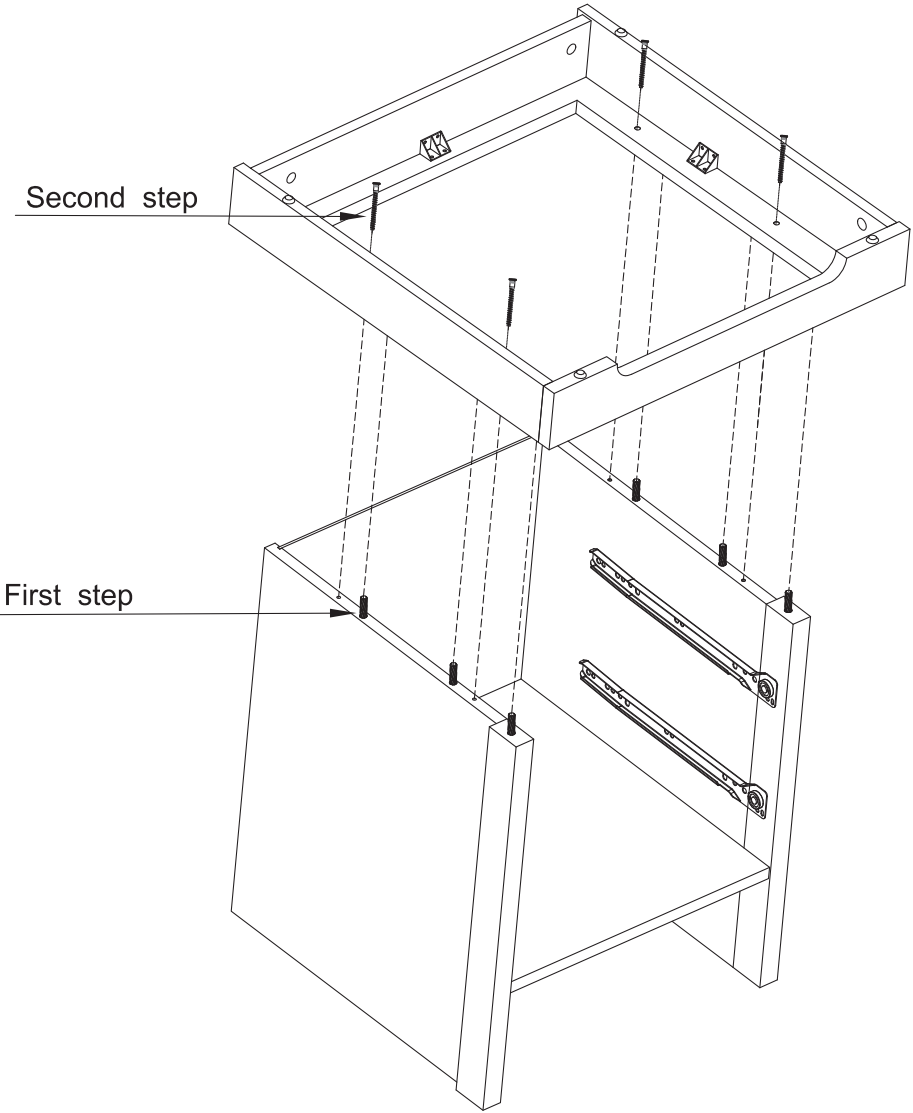
	
(C)	4 PCS


16


STEP 13



STEP 14

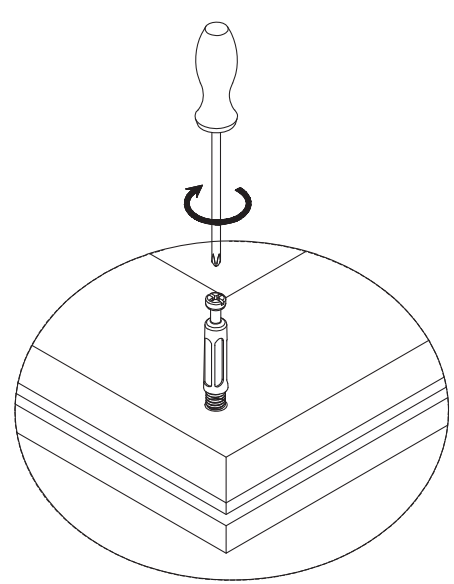
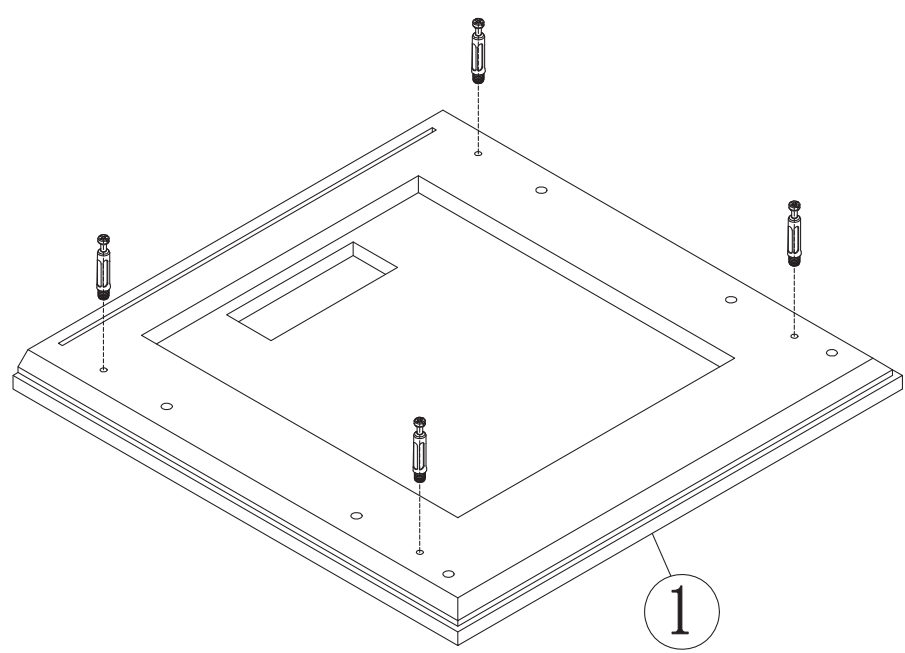



	
(D)	4 PCS

	
(B)	6 PCS


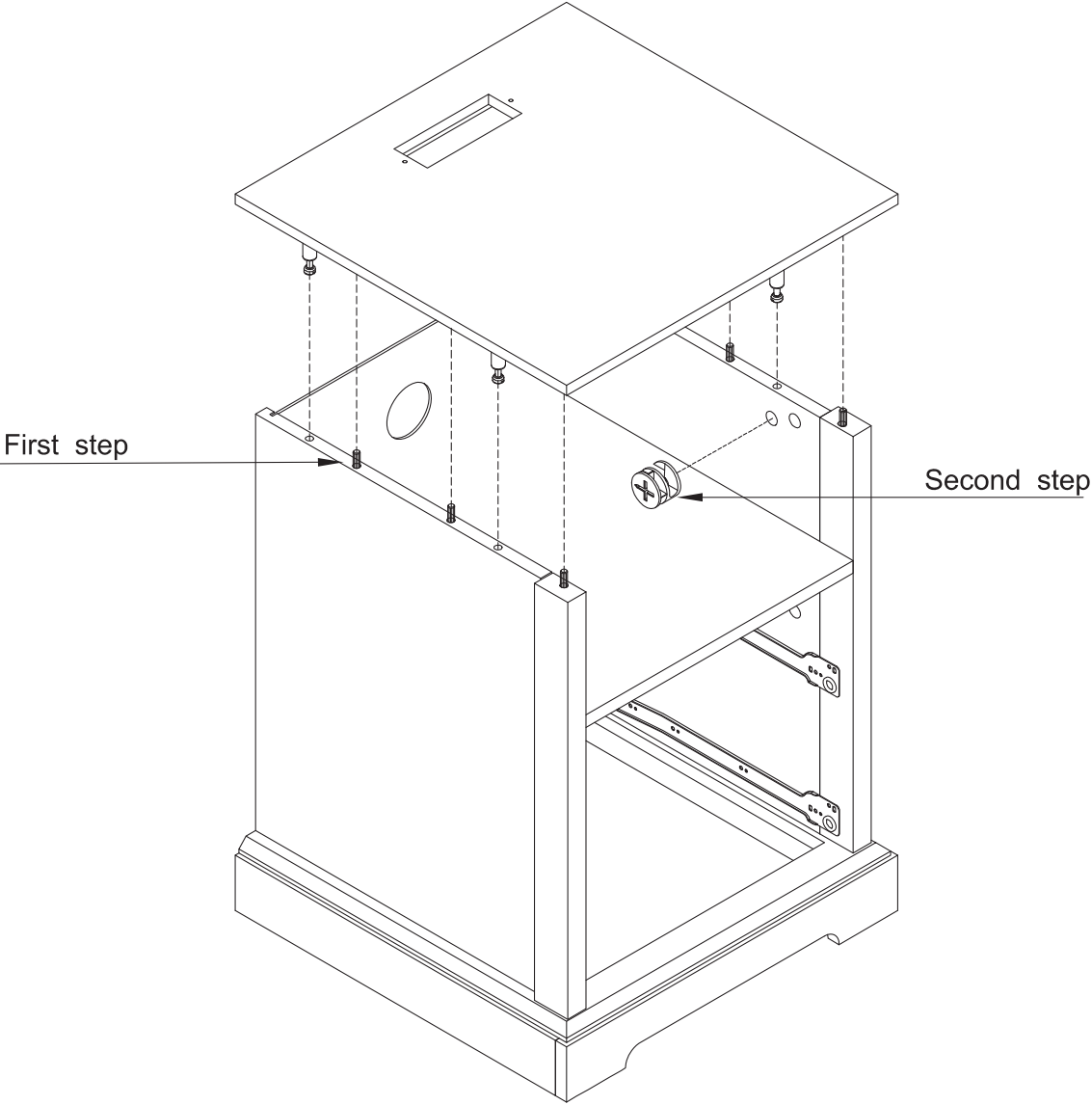
18

STEP 15




	
(A)	4 PCS

STEP 16


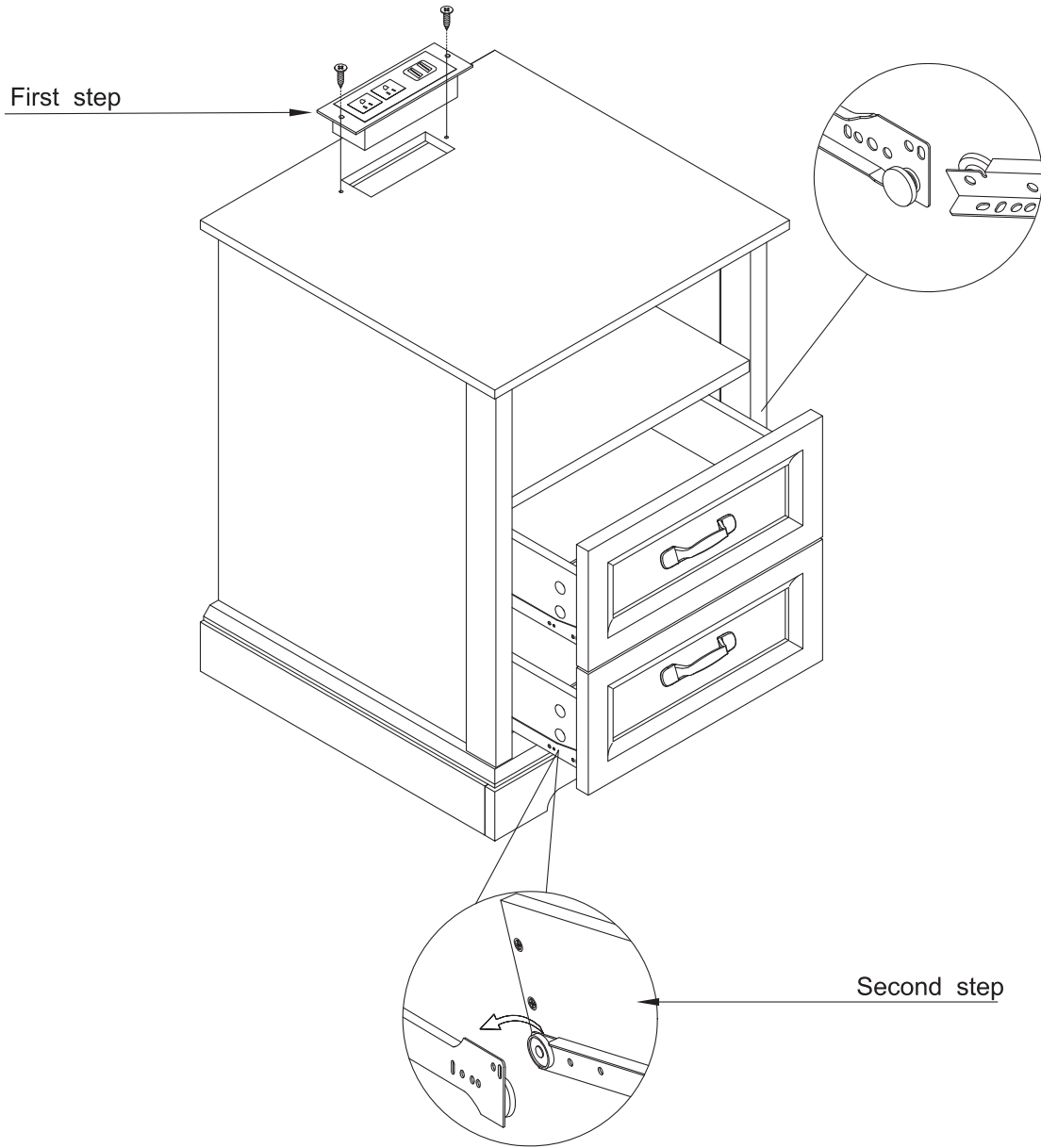


(A) 4 PCS

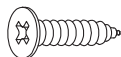


(B) 6 PCS

STEP 17



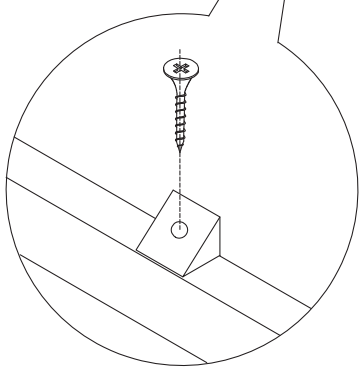
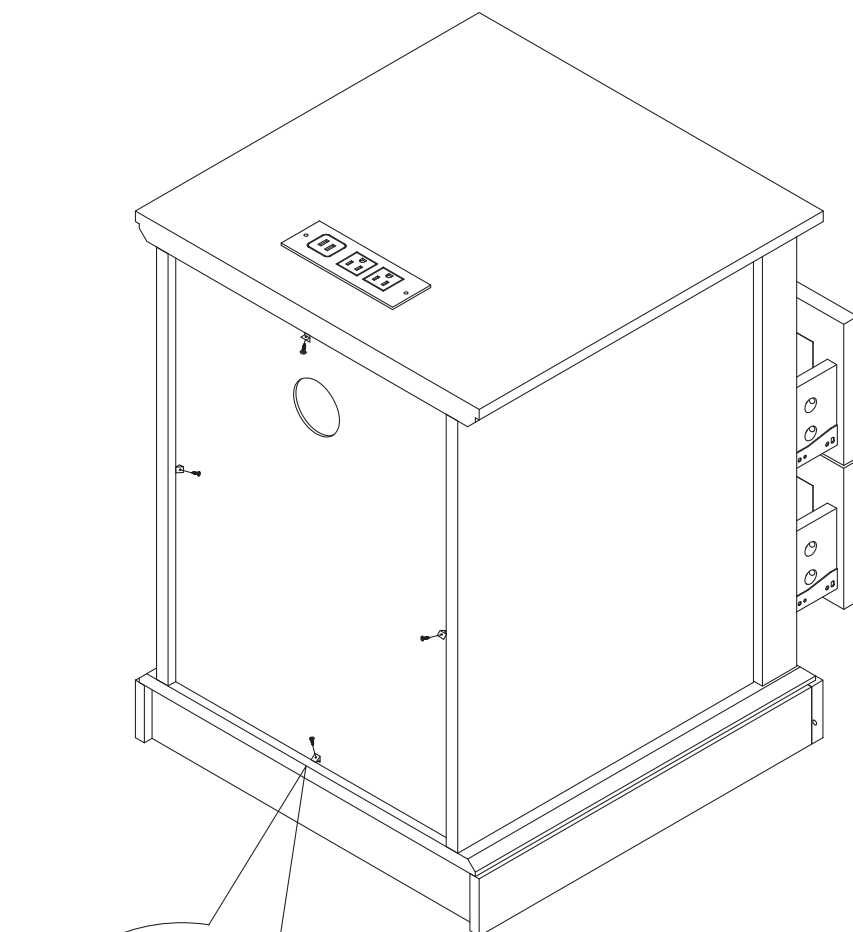
J	1 PC
----------	------

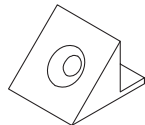
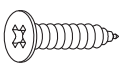


G	2 PCS
----------	-------

21

STEP 18



	
F	4 PCS

FCC Regulatory Compliance

This device complies with part 15 of the FCC Rules. Operation is subject to the following two conditions:

(1) This device may not cause harmful interference, and (2) this device must accept any interference received, including interference that may cause undesired operation.

Warning: Changes or modifications not expressly approved by the party responsible for compliance could void the user's authority to operate the equipment.

Note: This equipment has been tested and found to comply with the limits for a Class B digital device, pursuant to Part 15 of the FCC Rules.

These limits are designed to provide reasonable protection against harmful interference in a residential installation. This equipment generates, uses and can radiate radio frequency energy and, if not installed and used in accordance with the instructions, may cause harmful interference to radio communications.

However, there is no guarantee that interference will not occur in a particular installation.

If this equipment does cause harmful interference to radio or television reception, which can be determined by turning the equipment off and on, the user is encouraged to try to correct the interference by one or more of the following measures:

- Reorient or relocate the receiving antenna.
- Increase the separation between the equipment and receiver.
- Connect the equipment into an outlet on a circuit different from that to which the receiver is connected.
- Consult the dealer or an experienced radio/TV technician for help.

Made in China