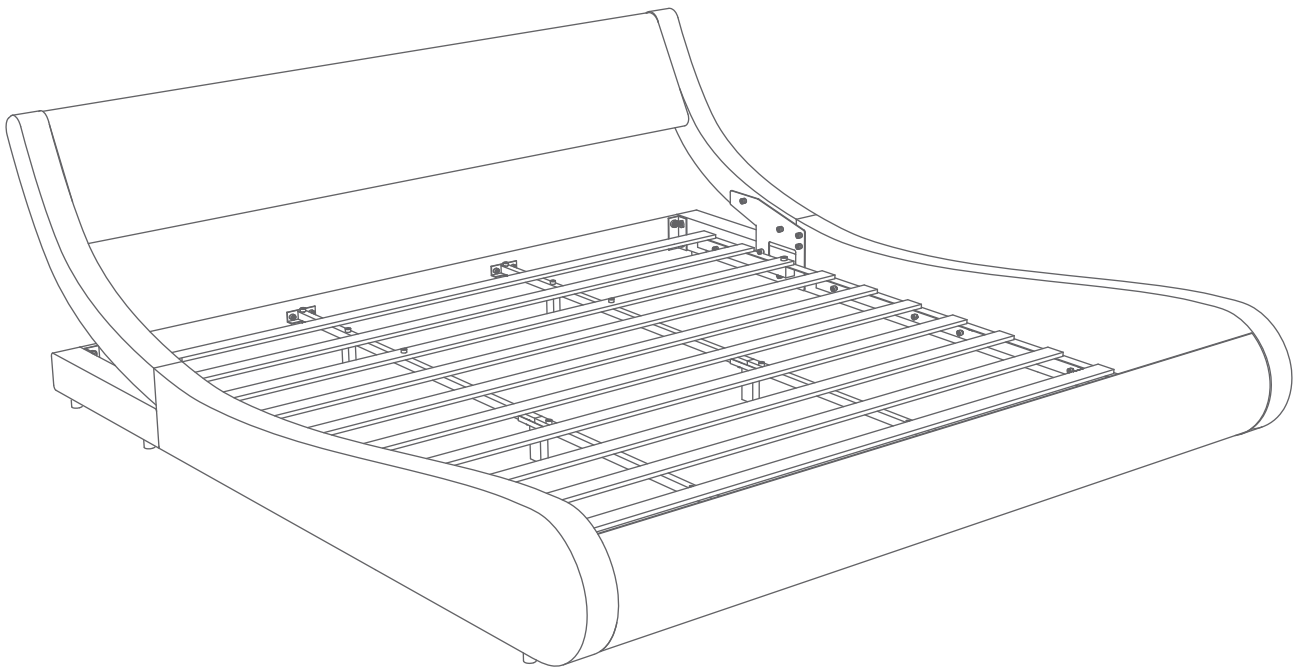


PLATFORM BED QESXKSCC003

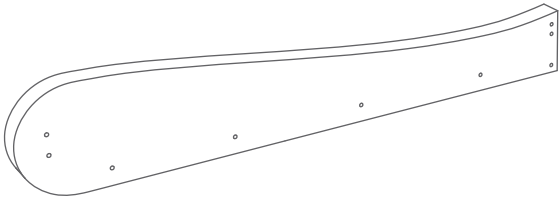
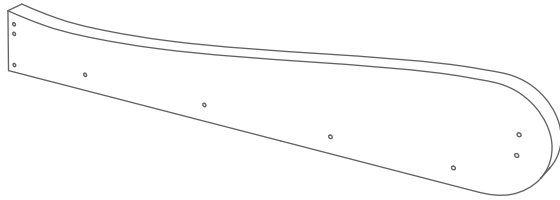
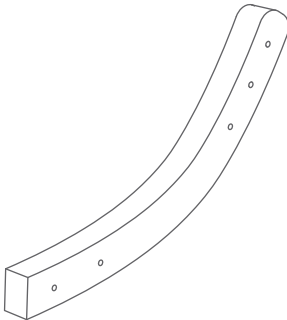
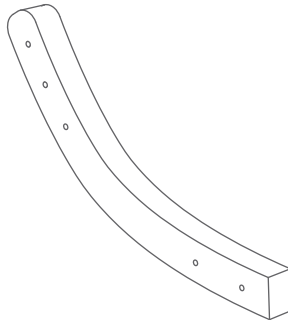
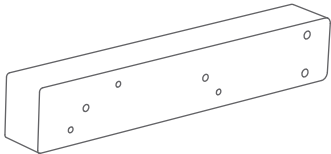
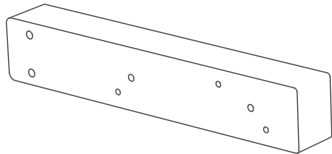
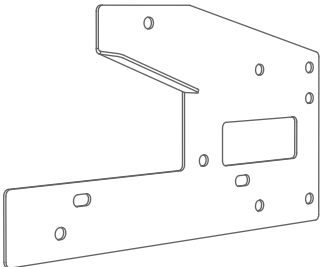
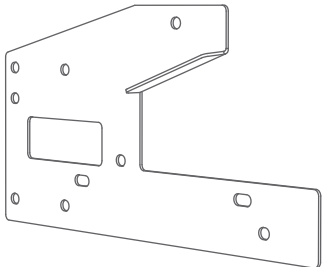
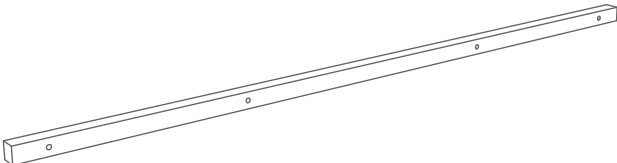

ORIGINAL INSTRUCTION MANUAL

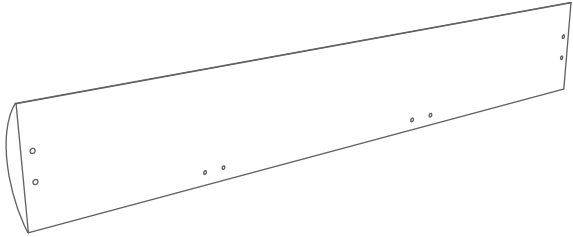
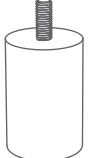
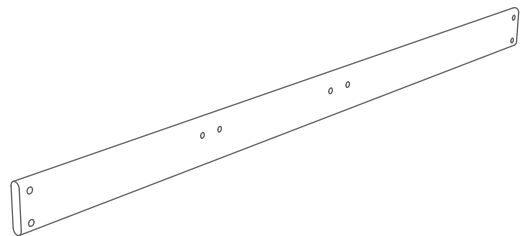
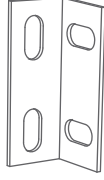
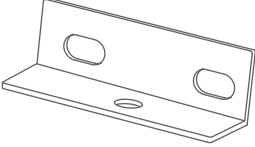
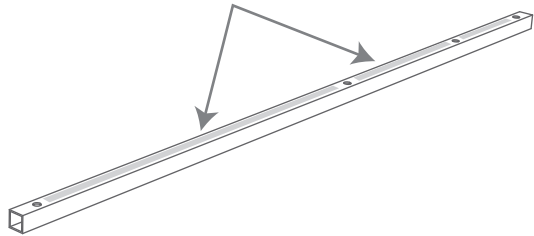
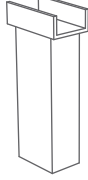
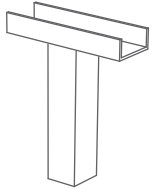
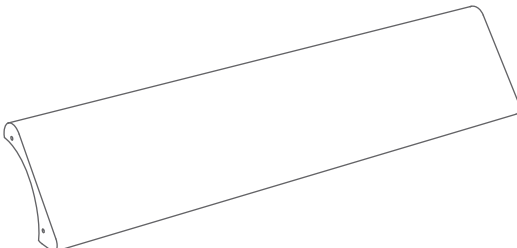
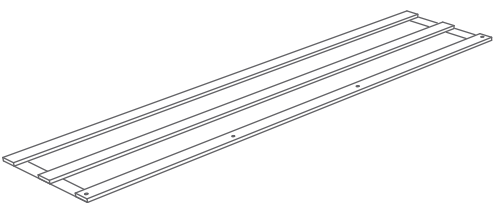
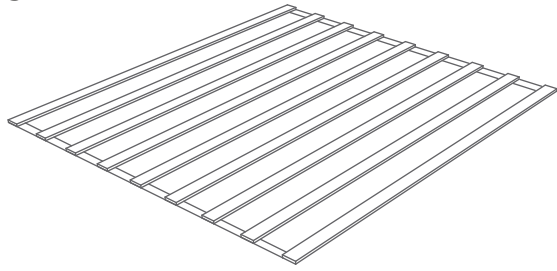
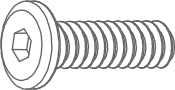
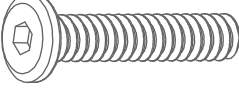
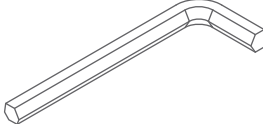


DEAR CUSTOMER,

Thank you for choosing our product. Please read this manual carefully before assembling or using the product, to avoid damage caused by improper use. If the product is passed on to third parties, this manual has to be passed on along with the product. For any question don't hesitate to contact us.

PARTS LIST

A3  1x	A4  1x
B1  1x	B2  1x
C1  1x	C2  1x
D1  1x	D2  1x
E3  2x	E2  2x

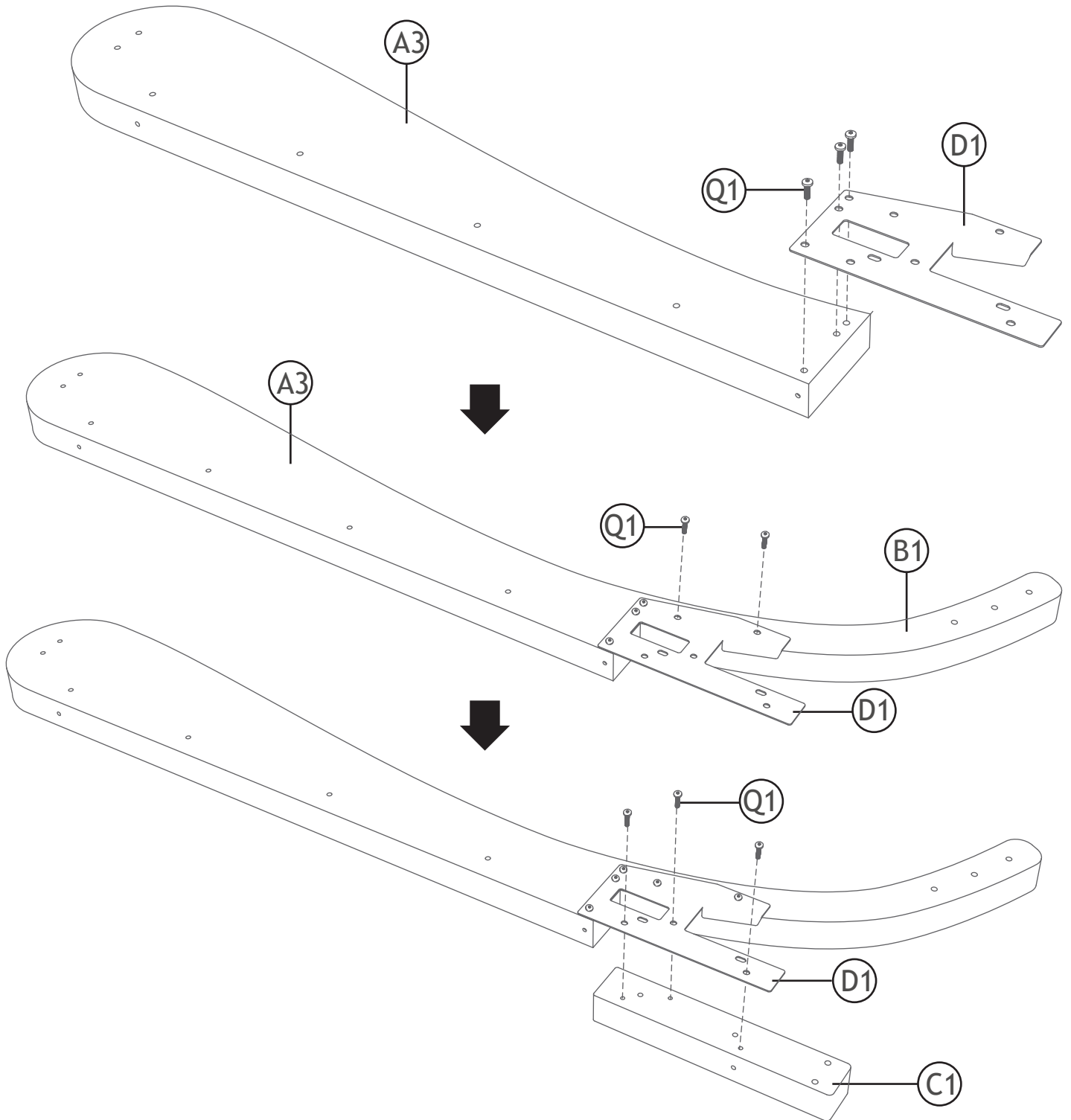
<p>G 1×</p> 	<p>H 6×</p> 	
<p>I3 1×</p> 	<p>J 4×</p> 	<p>K3 4×</p> 
<p>K4 4×</p> <p style="text-align: center;">EVA</p> 	<p>L 4×</p> 	
<p>M 2×</p> 	<p>N 1×</p> 	
<p>O5 1×</p> 	<p>O6 1×</p> 	
<p>Q1 40×</p>  <p style="text-align: center;">M8×18mm</p>	<p>Q2 32×</p>  <p style="text-align: center;">M8×40mm</p>	<p>Q5 1×</p>  <p style="text-align: center;">SPANNER</p>

ASSEMBLY

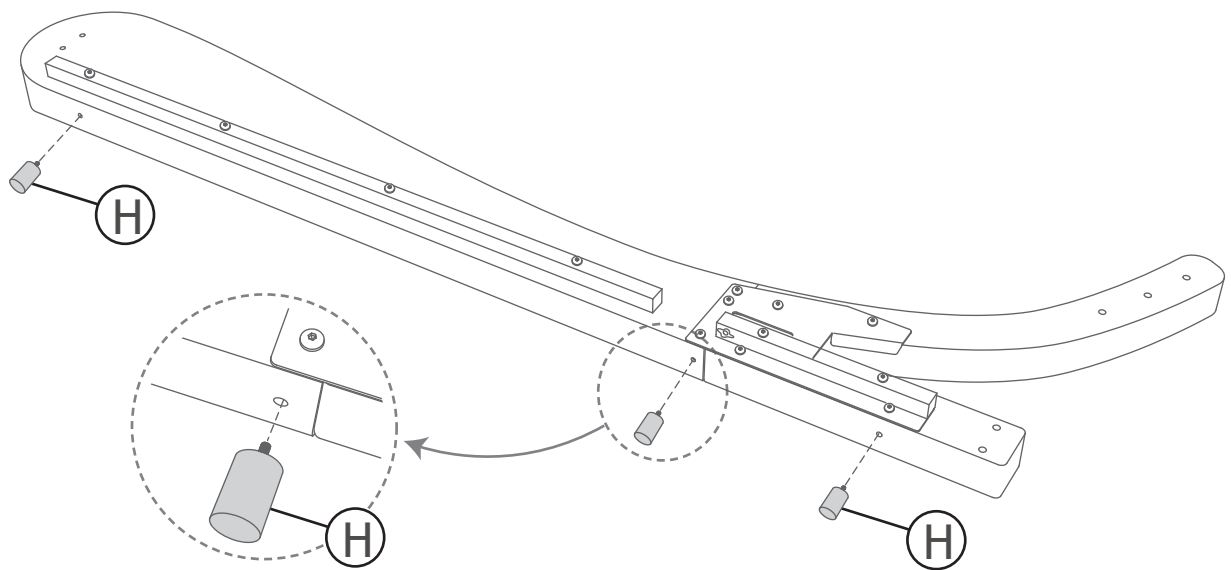
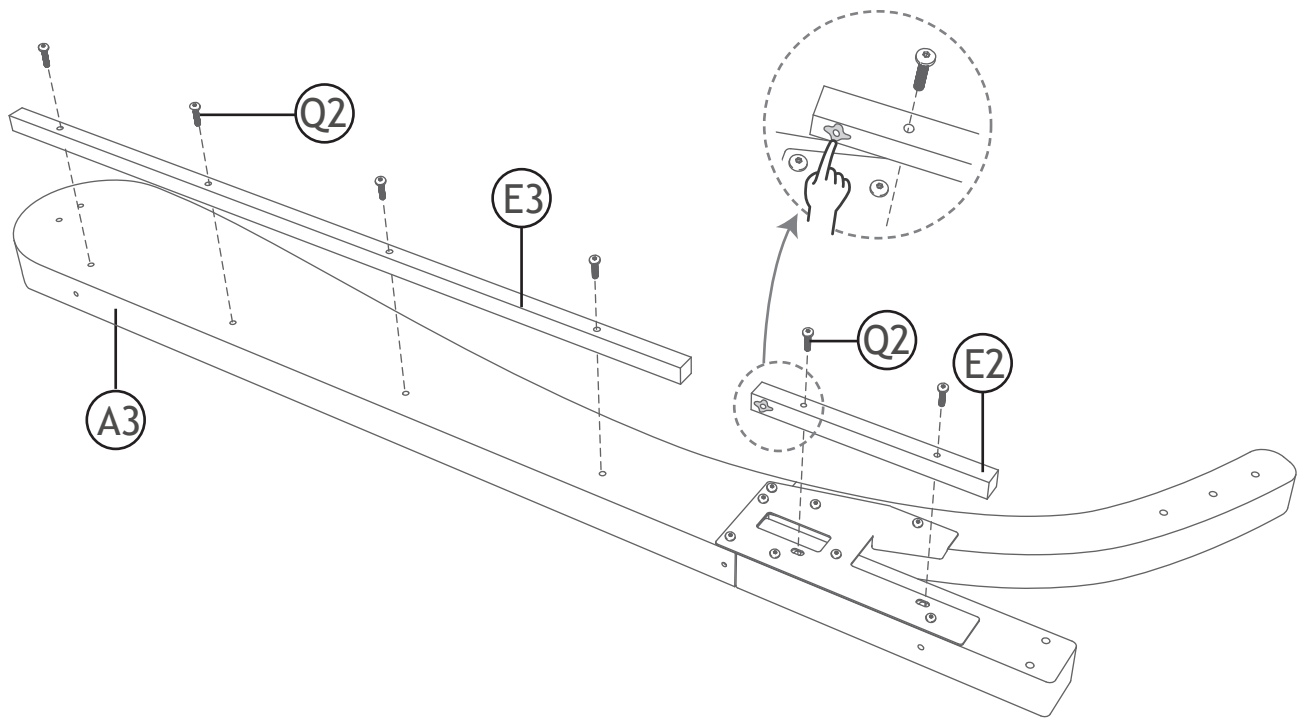
Before your installation, please make sure that you have all the parts listed on the manual. If you find something missing, stop installing and contact your supplier immediately.

NOTE: Please do not completely tighten all the hardware until the entire assembly is completed!

1 Left

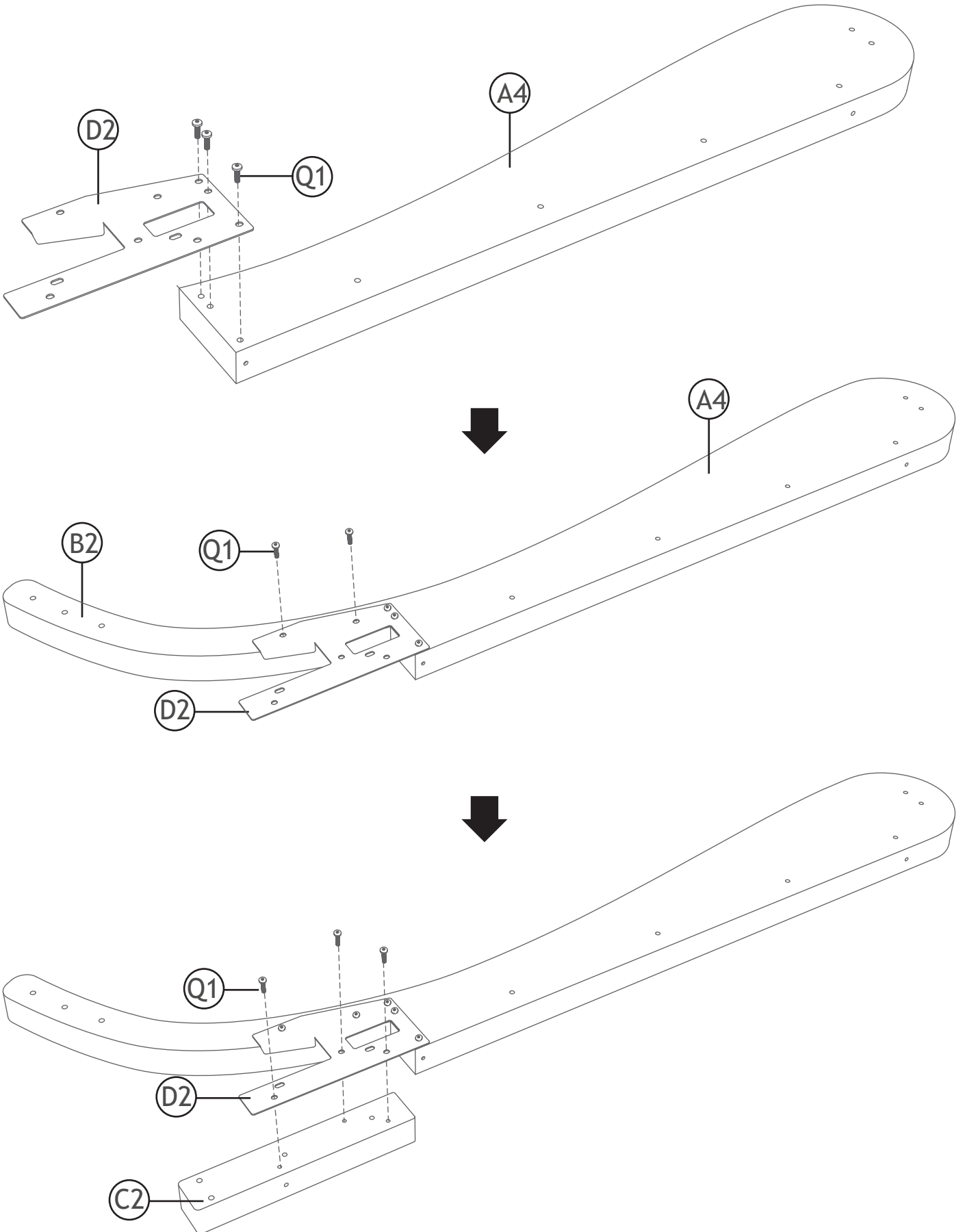


2

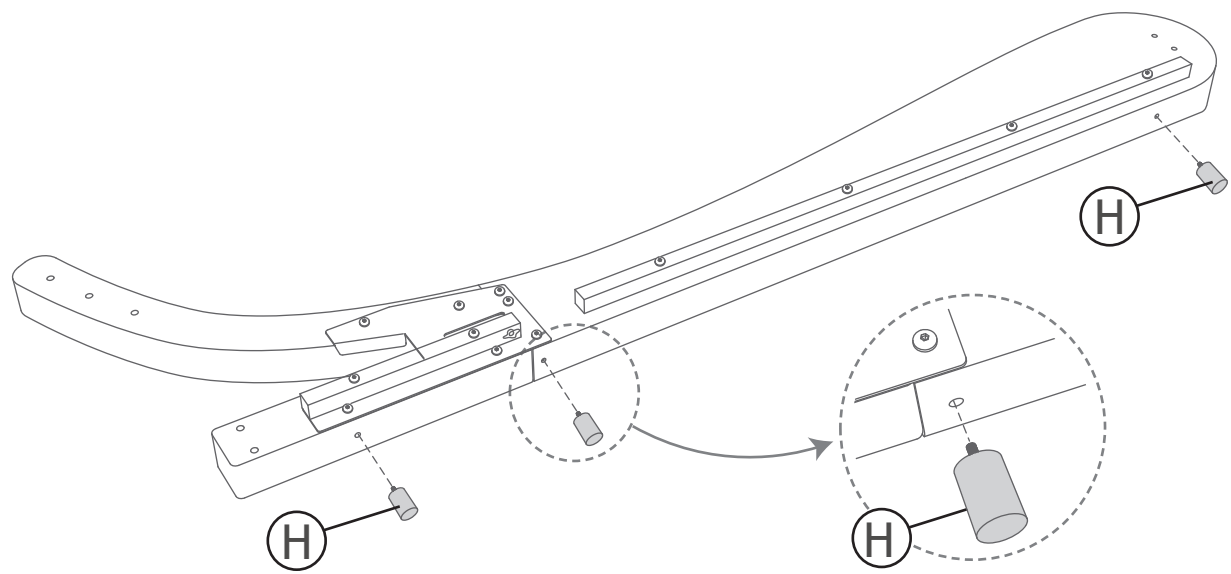
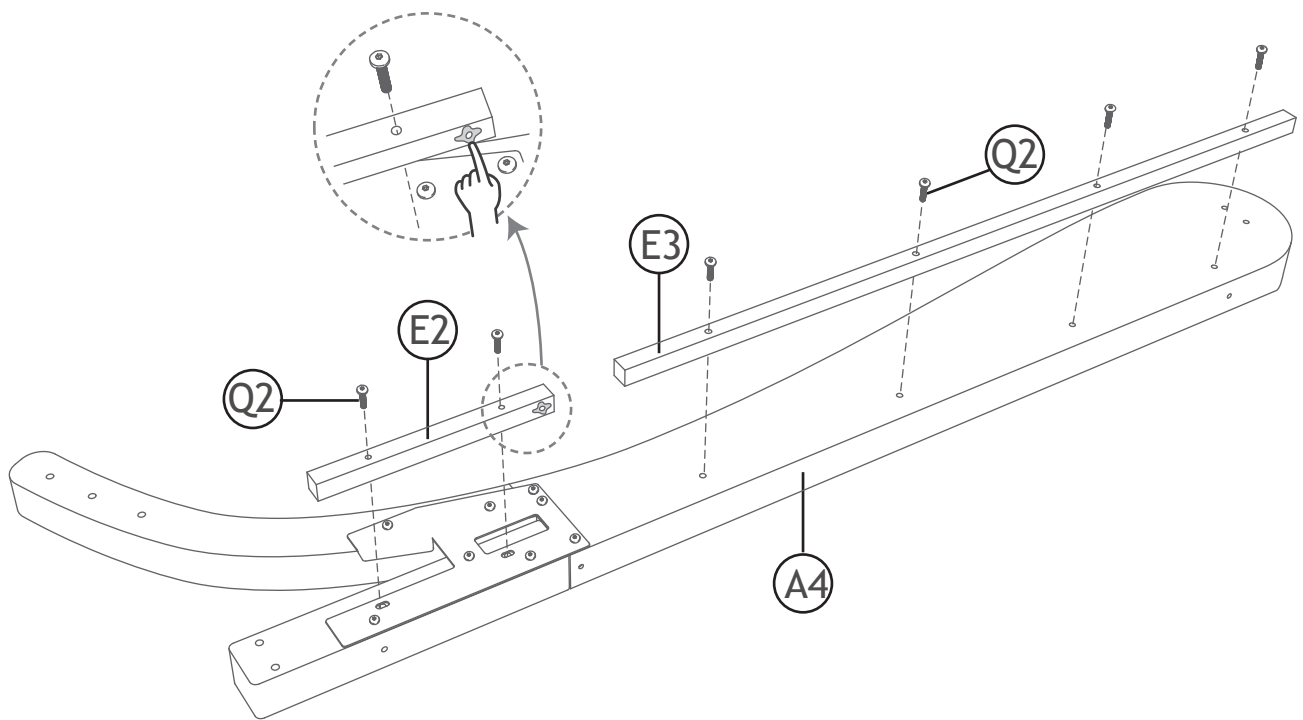


3

Right

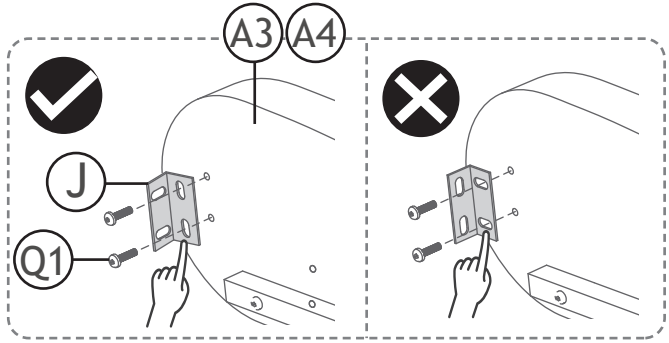


4

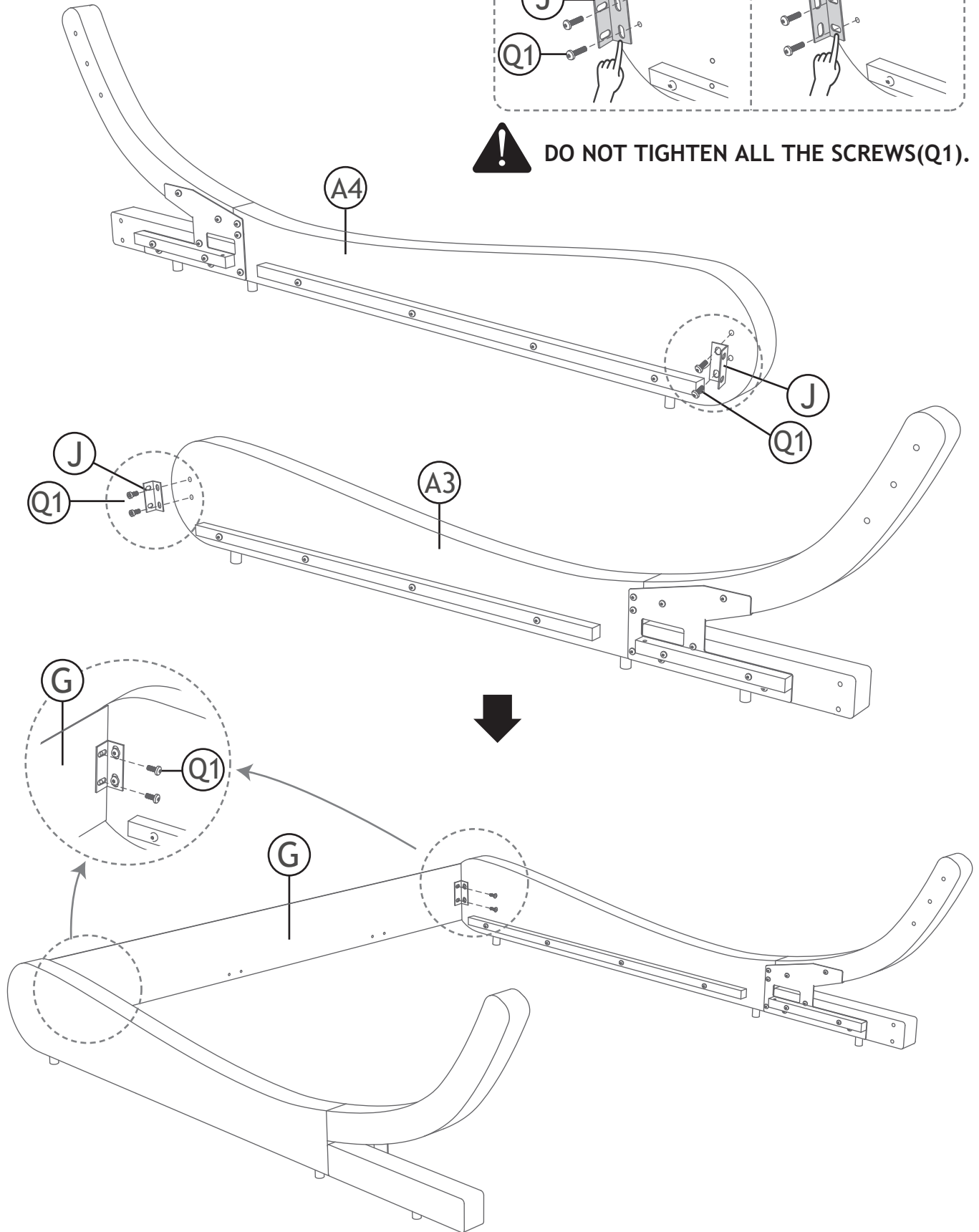


7

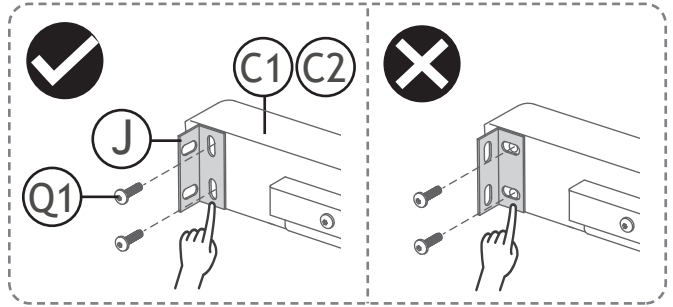
5



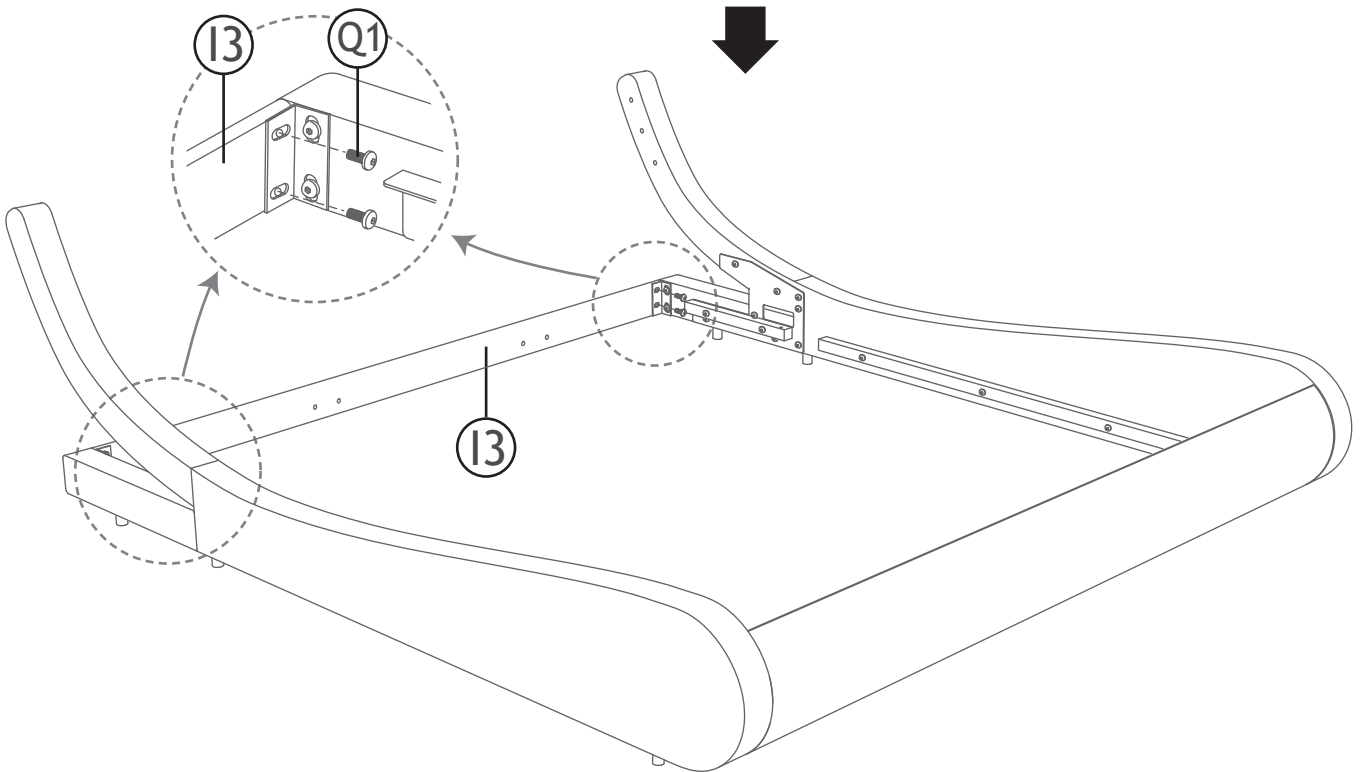
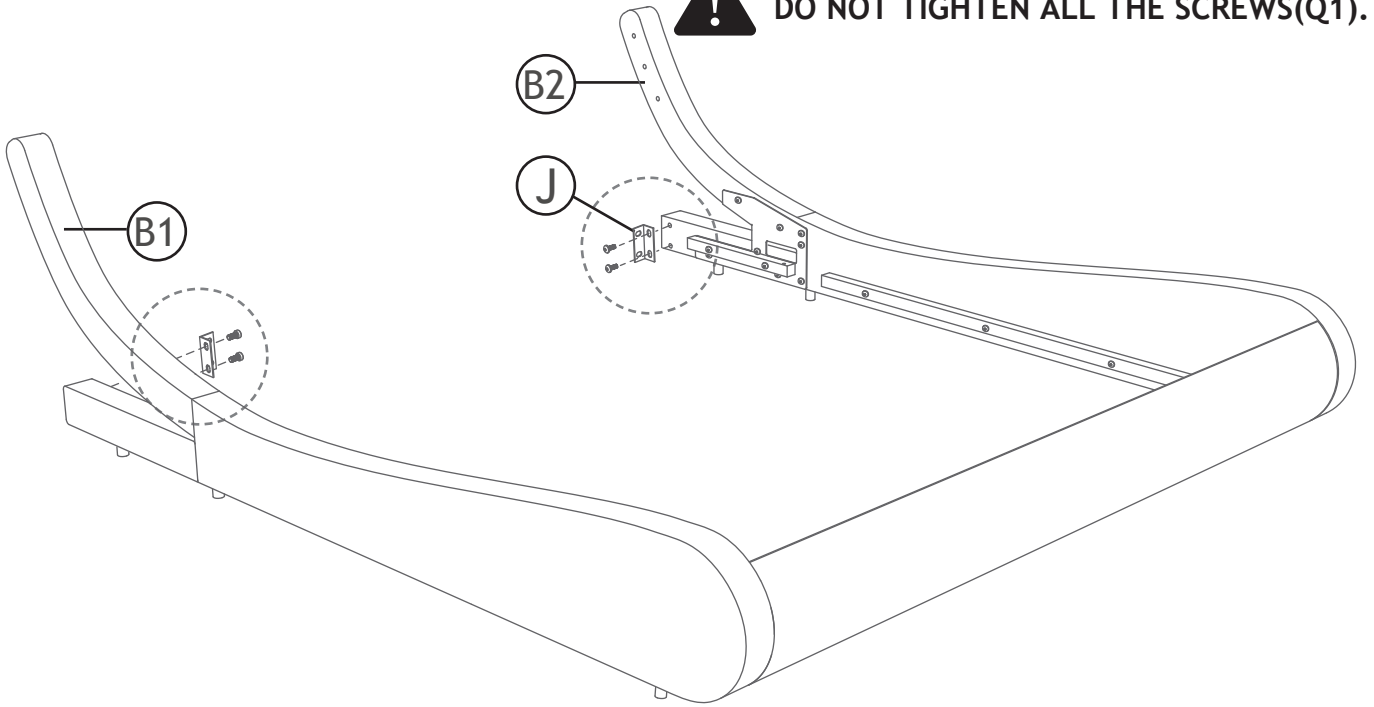
! DO NOT TIGHTEN ALL THE SCREWS(Q1).



6

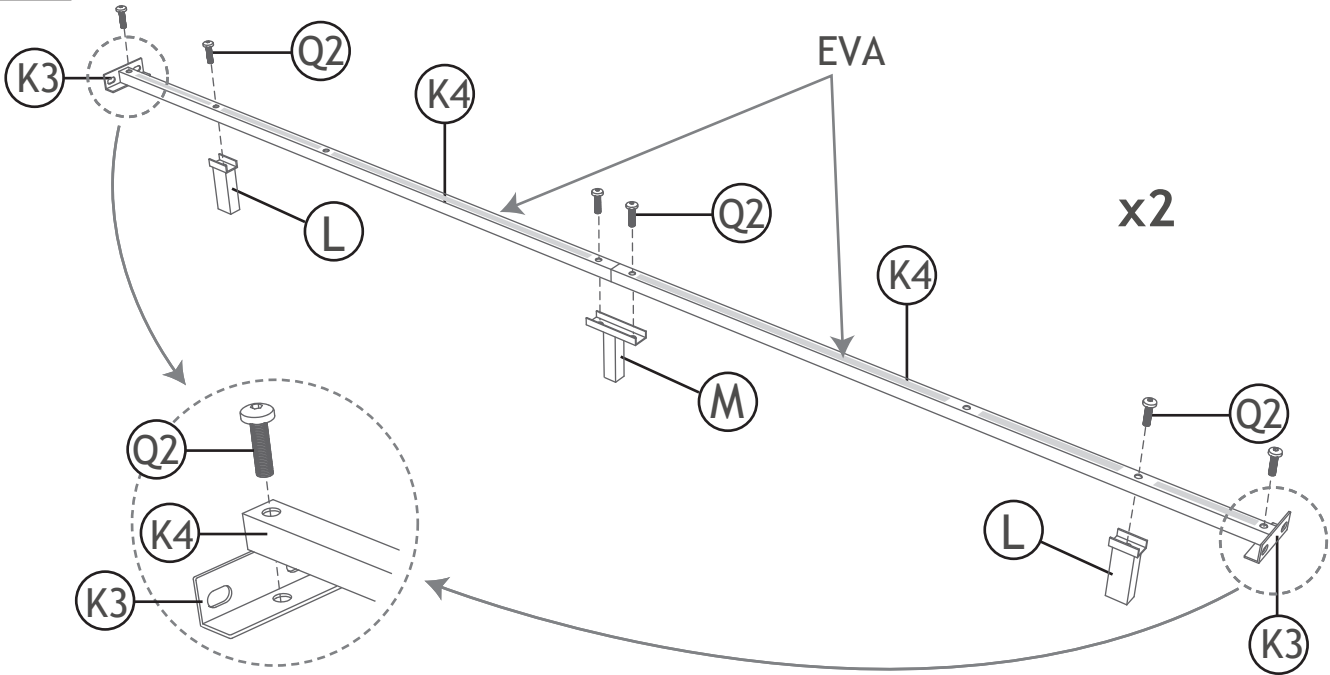


! DO NOT TIGHTEN ALL THE SCREWS(Q1).

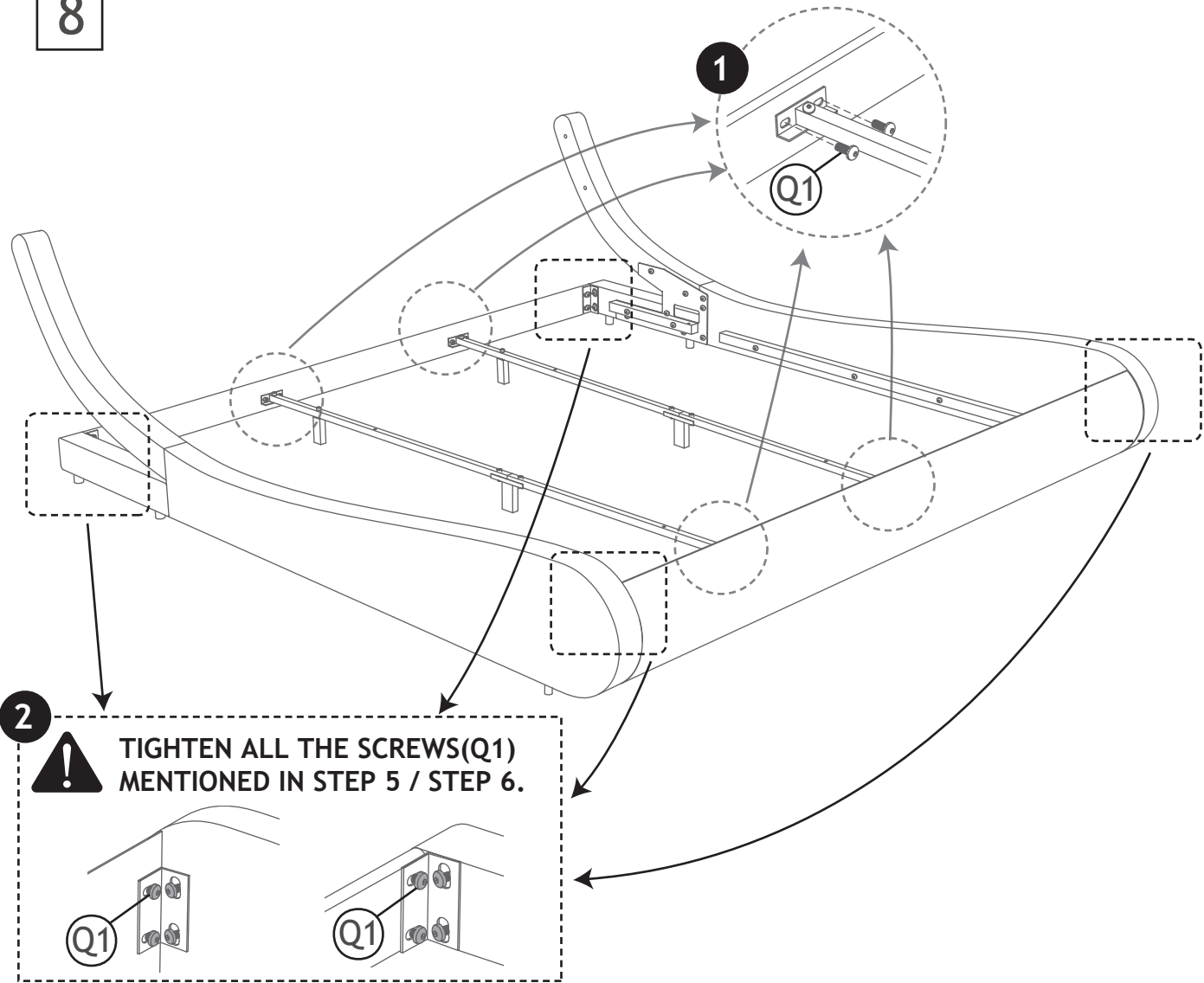


7

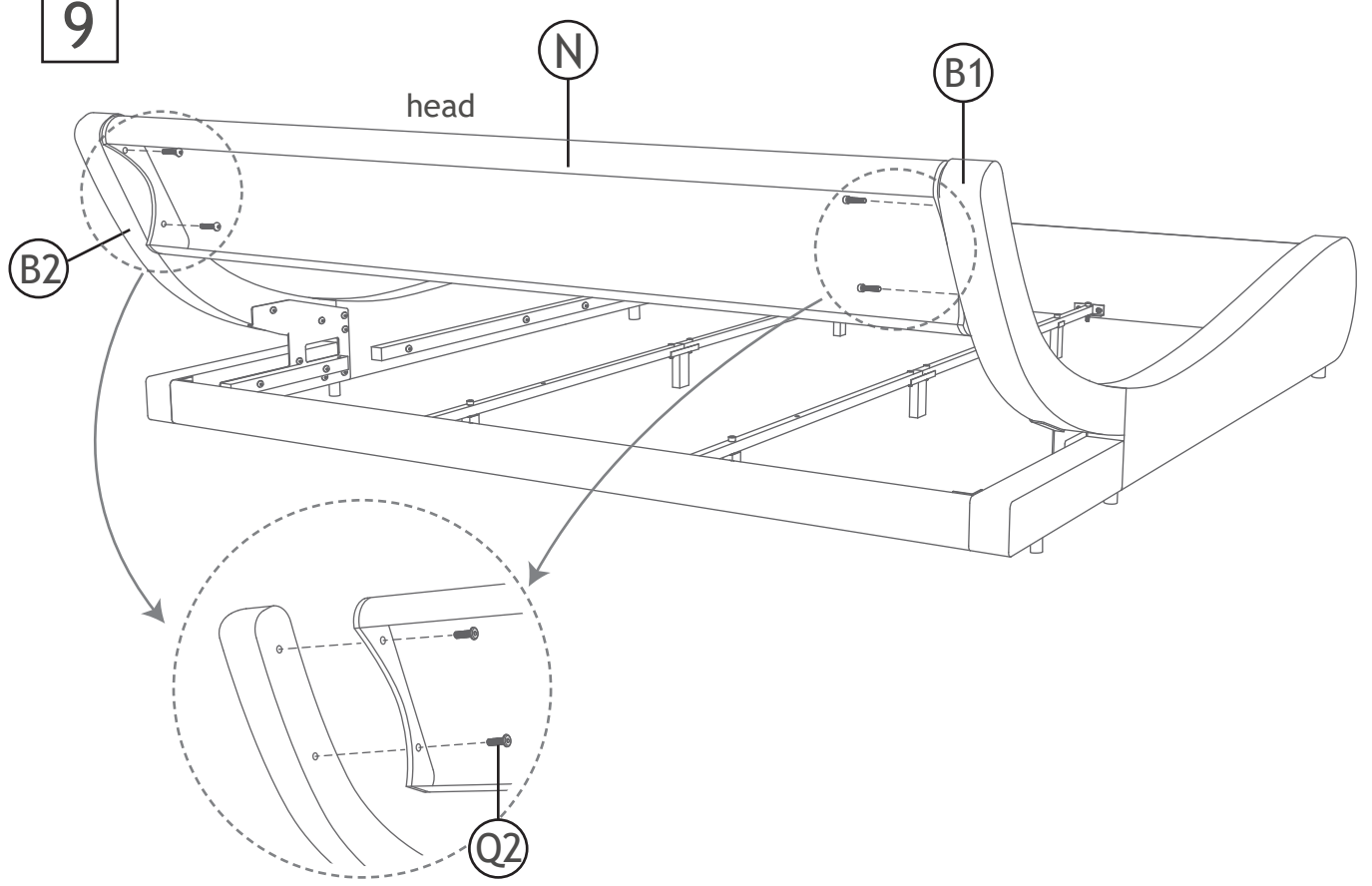
Please note that the side with EVA is upward during installation.



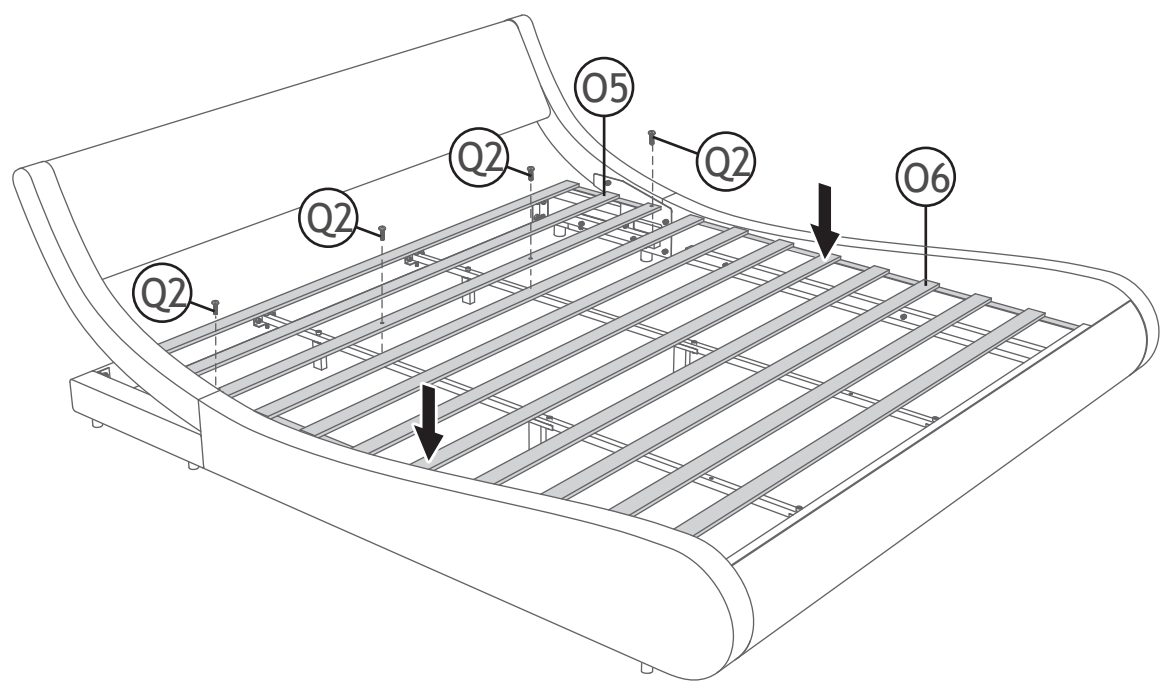
8



9



10



MADE IN CHINA