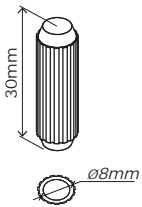
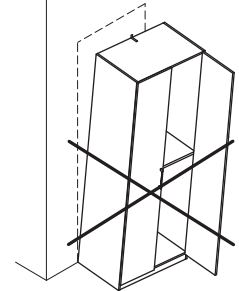
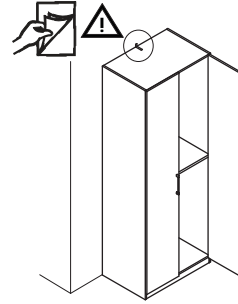
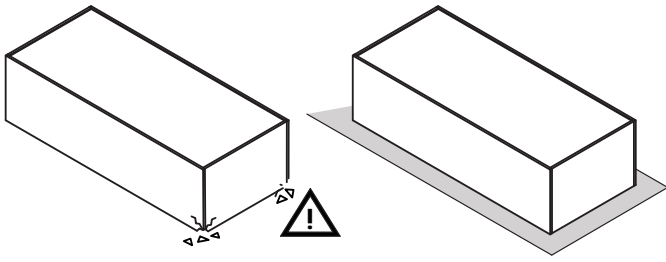
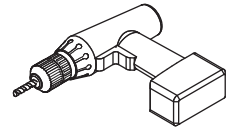
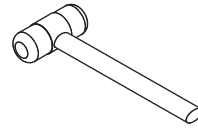
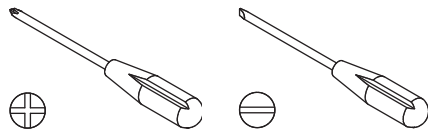
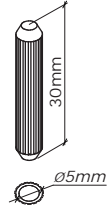


1,5h



H1
x8



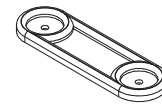
H81
x8



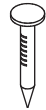
T28
x12



T99
x12



P16
x2



H15
x4



T9
x2



V32
x2



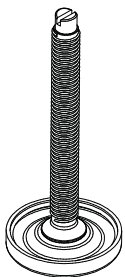
V5
x16



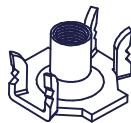
H2
x16



R40
x24



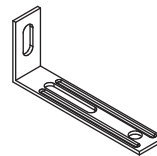
P22
x2



H119
x2



G182
x4



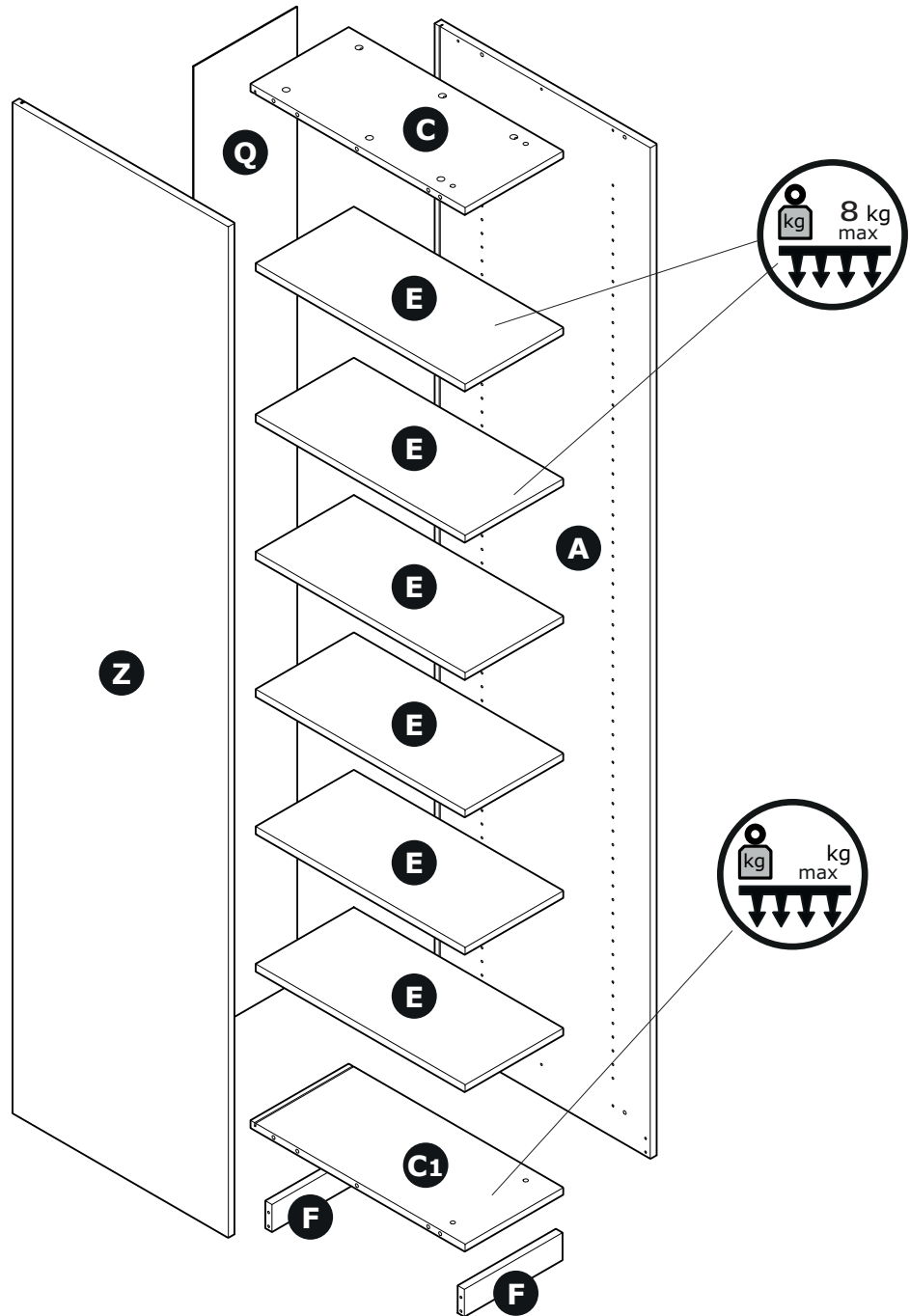
H185
x1

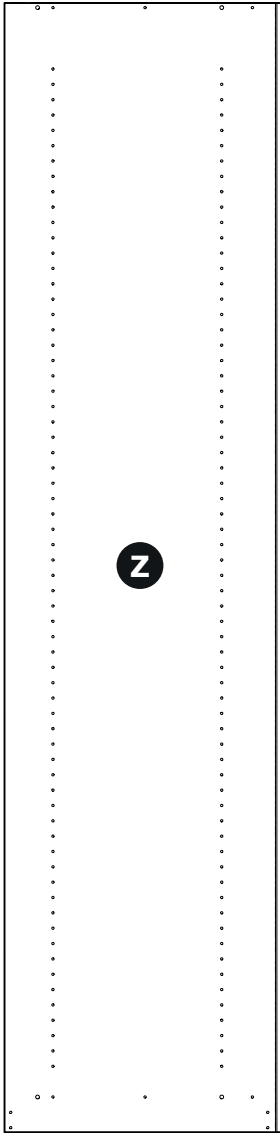


H129
x2

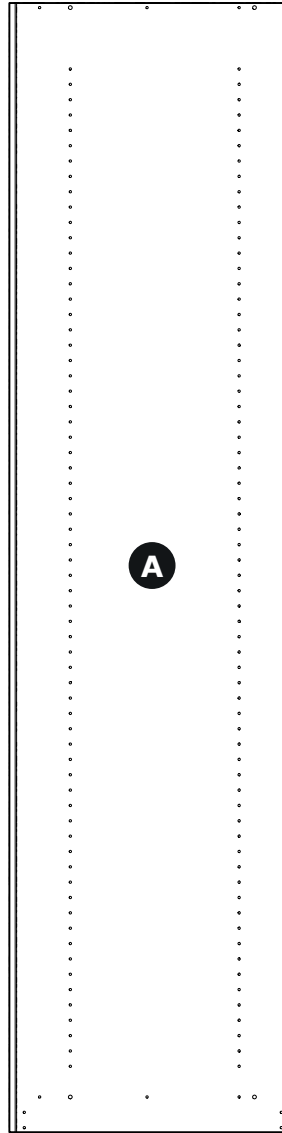


V81
x2

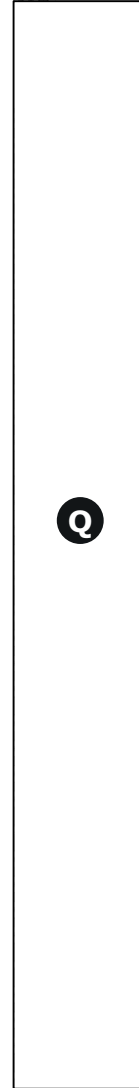




FI8648
2355x580x18mm



FI8627
2355x580x18mm



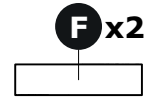
SH3309
2268x278x2,3mm



PI7104
264x577x18mm



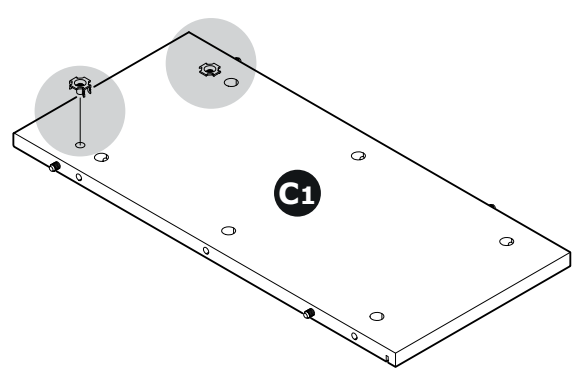
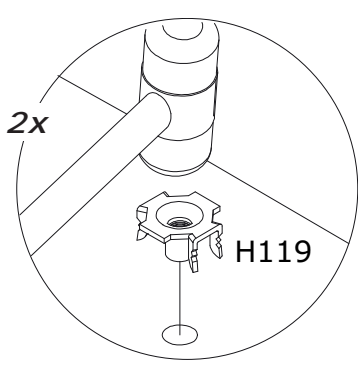
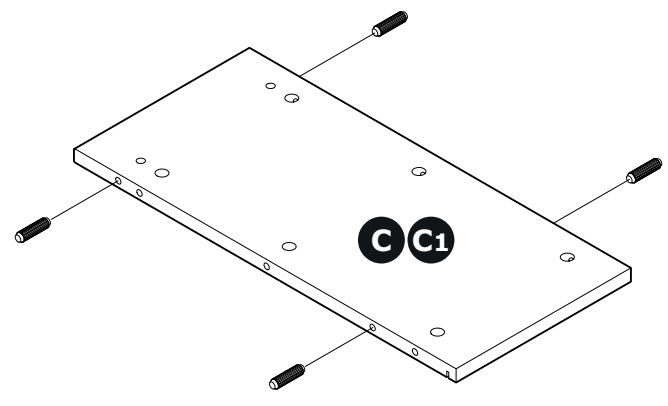
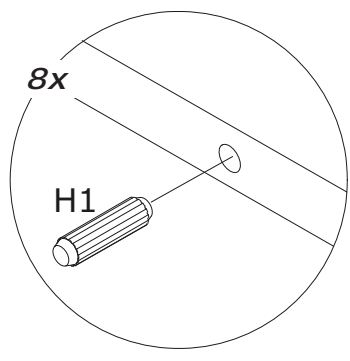
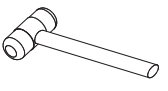
PI7106
264x563x18mm



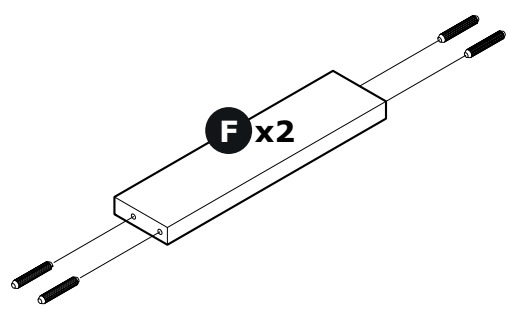
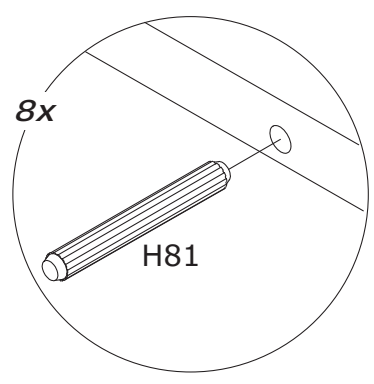
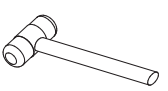
ZO1619
264x64x18mm

BOX 1/1

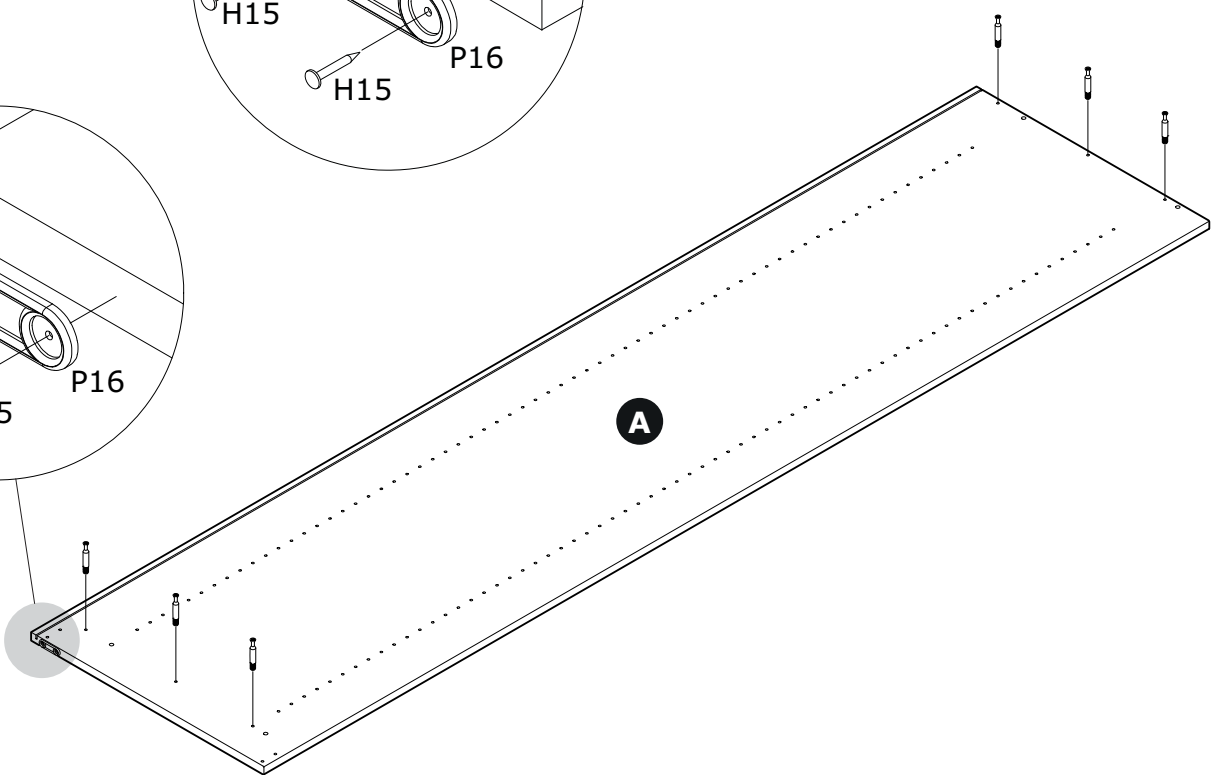
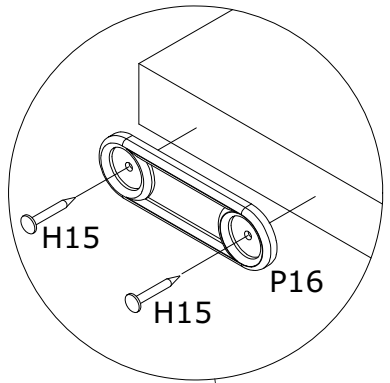
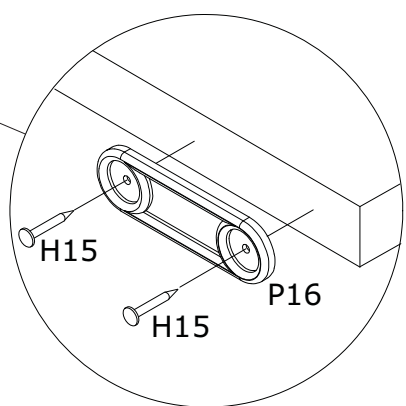
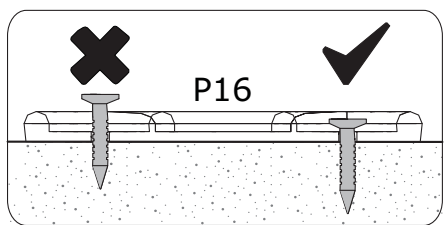
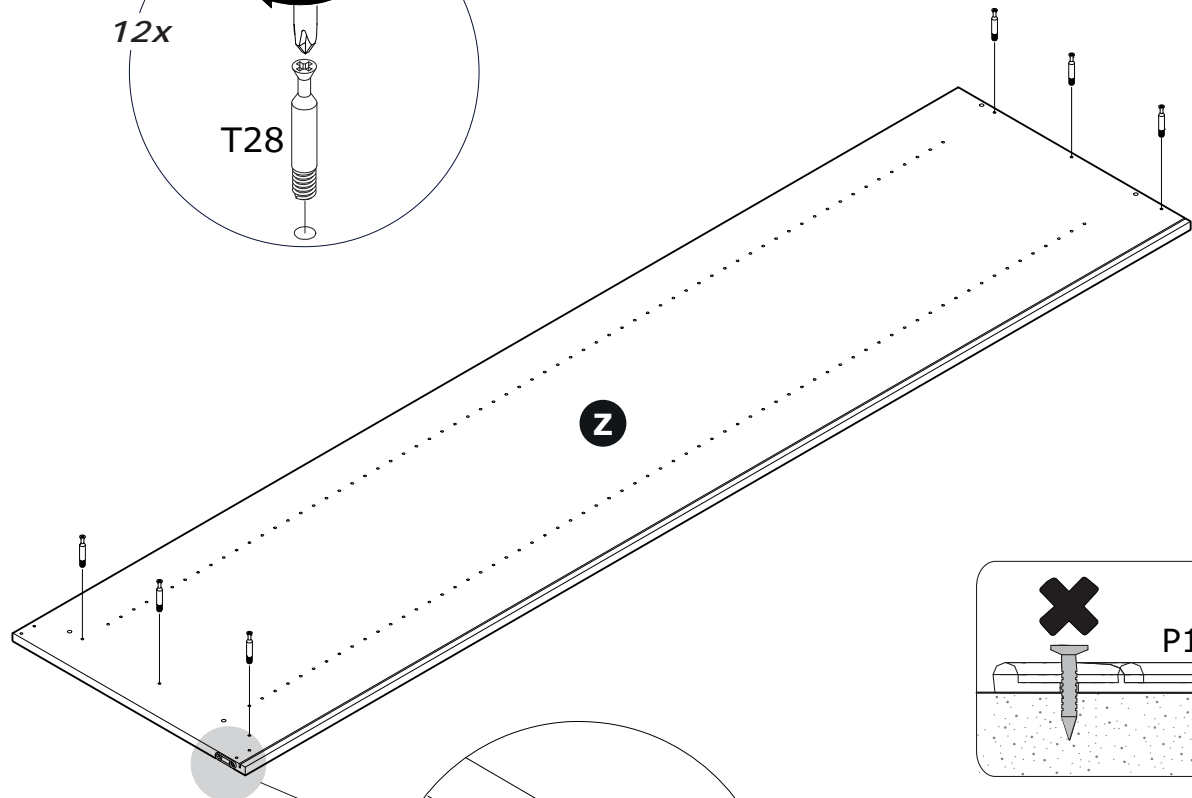
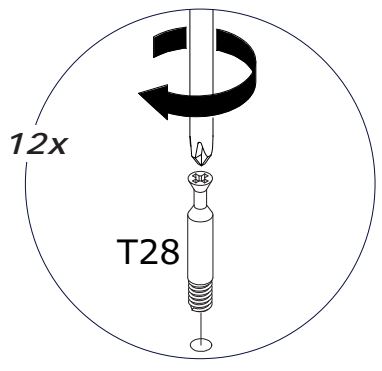
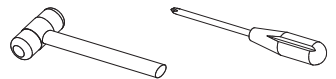
1



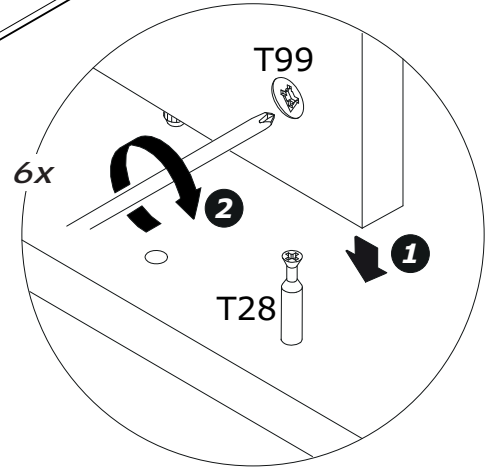
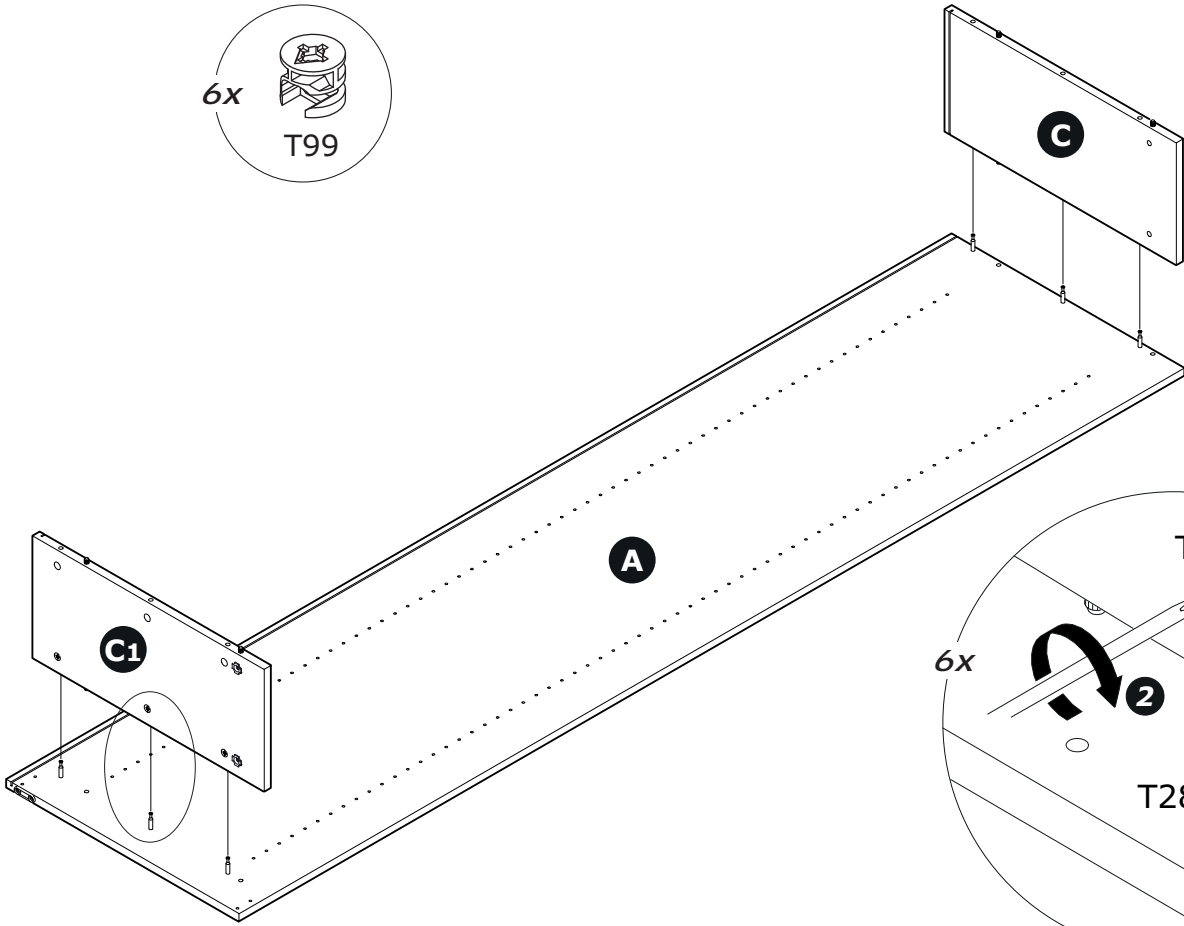
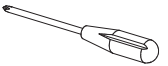
2



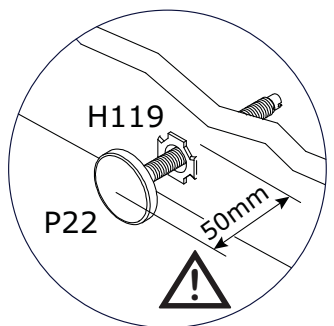
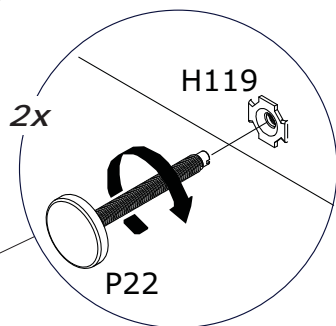
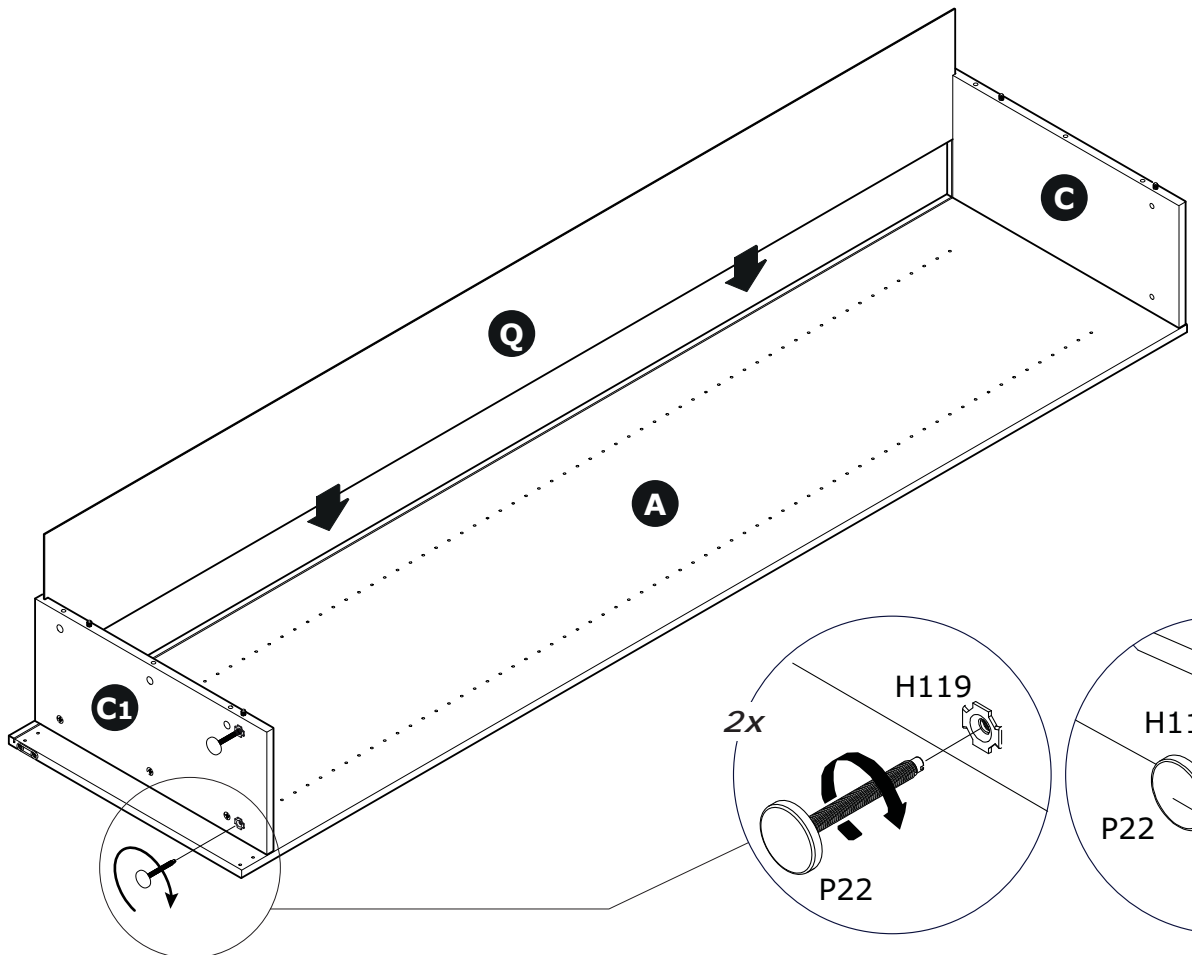
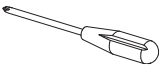
3



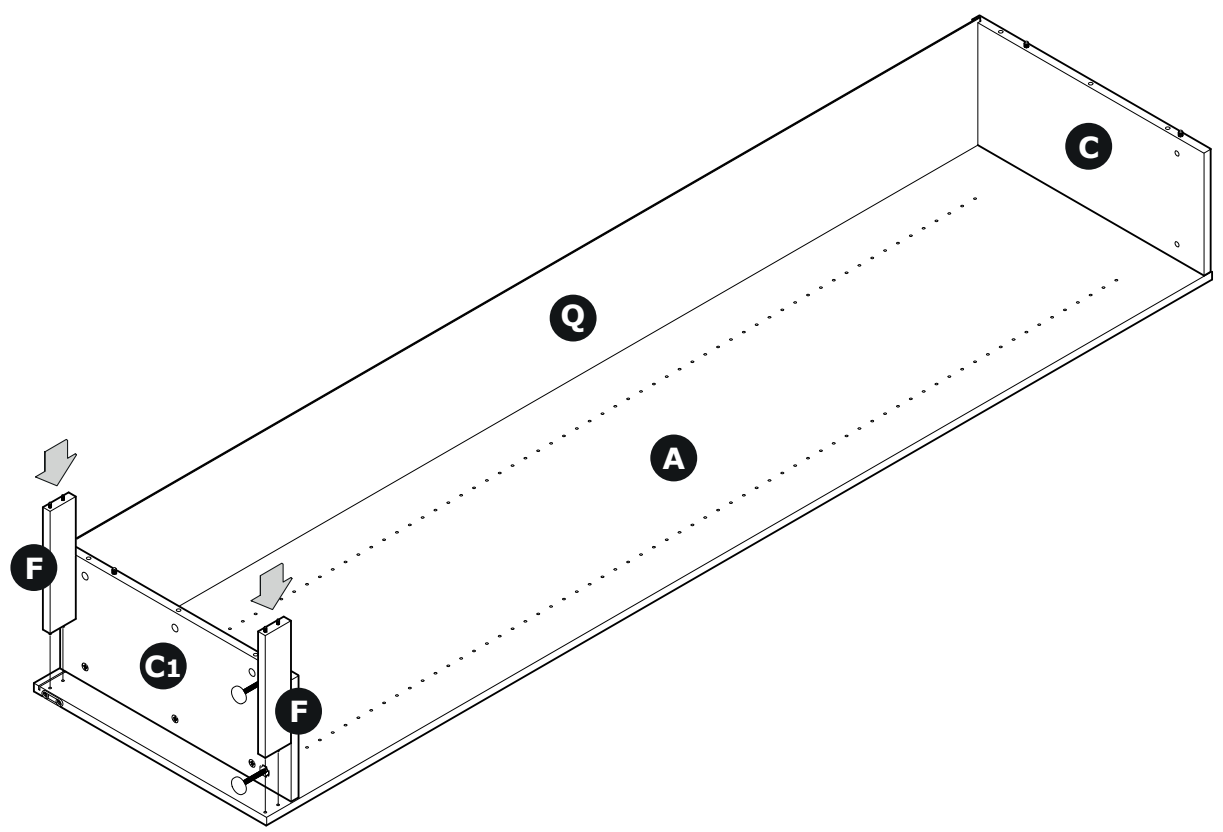
4



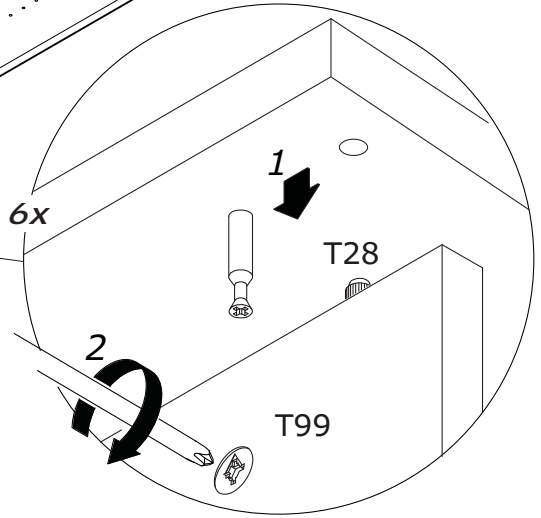
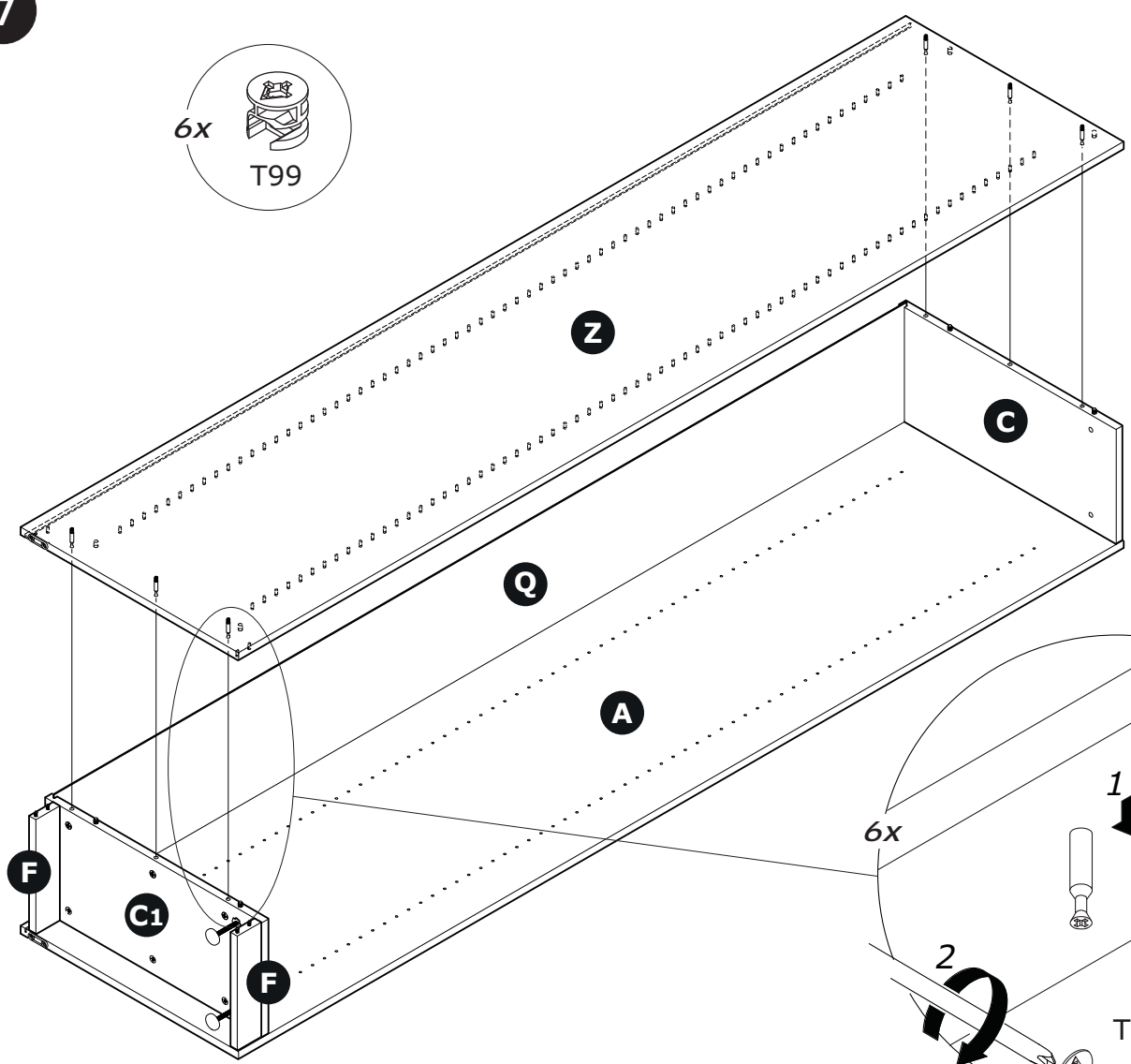
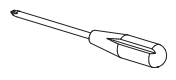
5

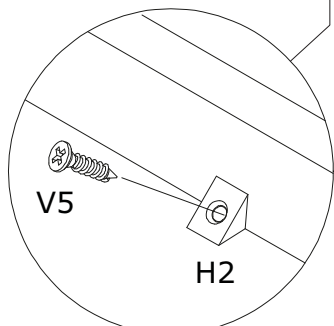
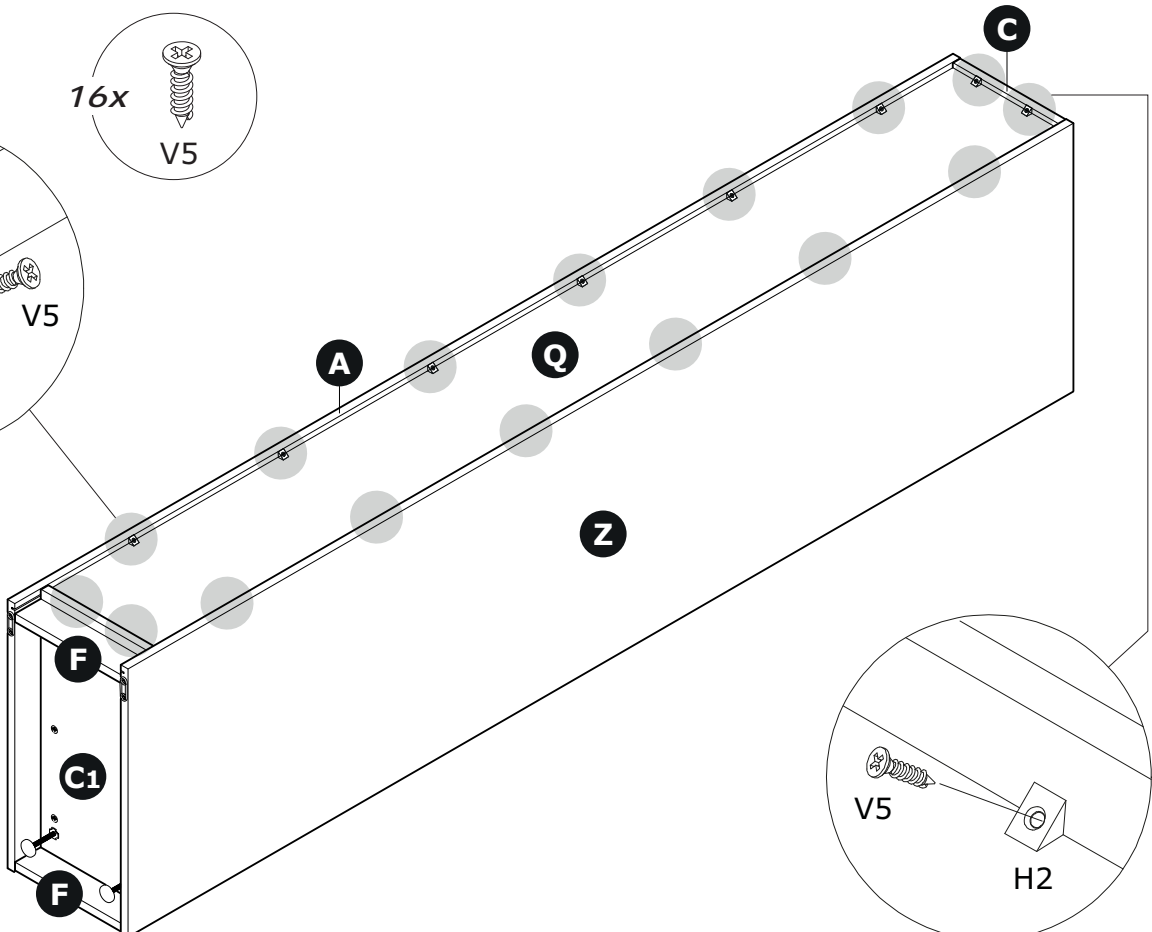
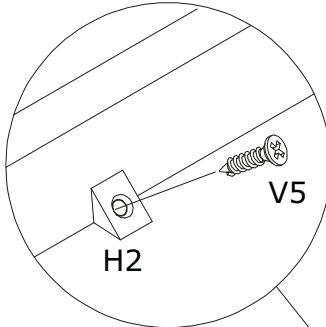
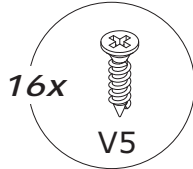
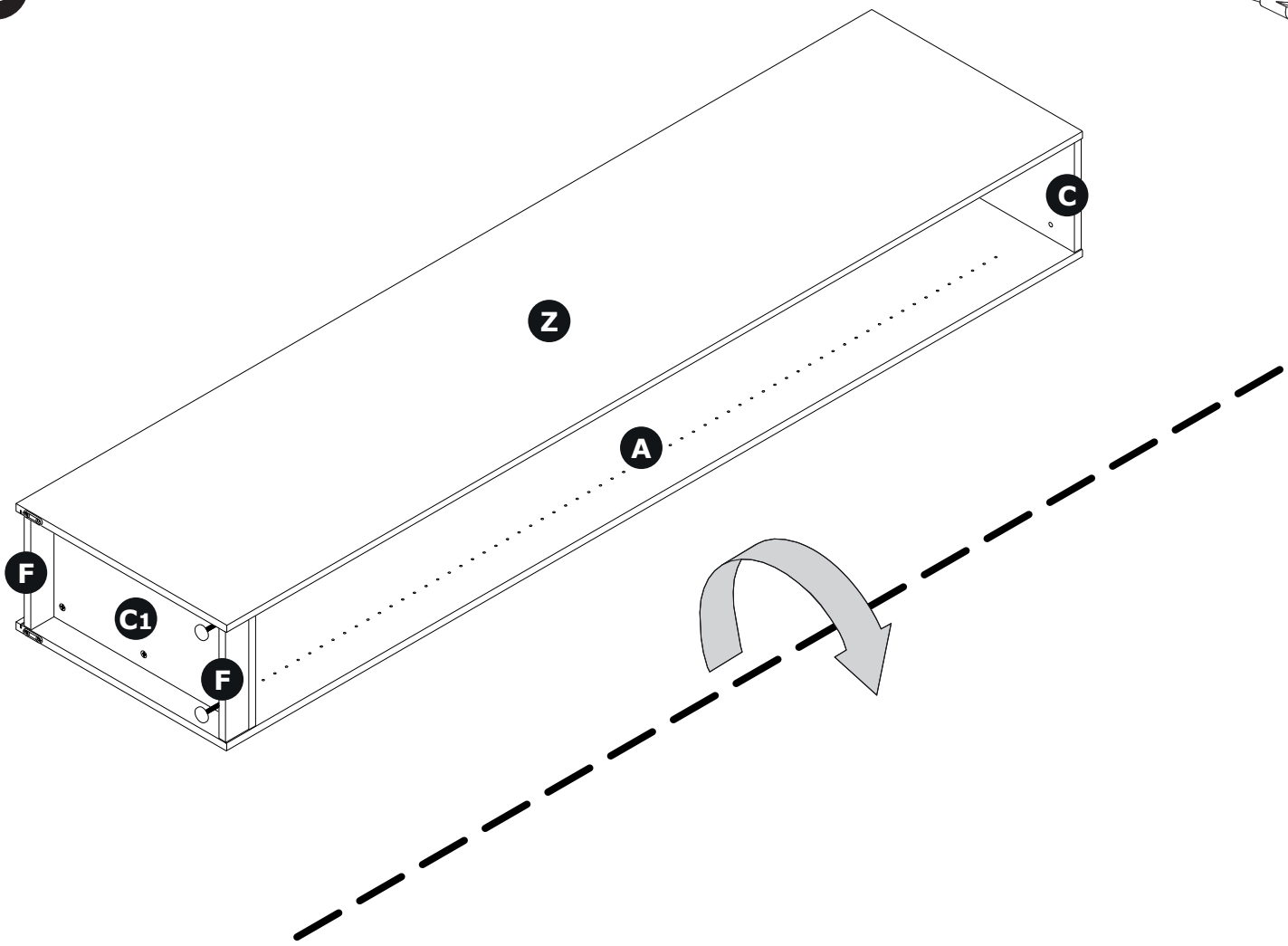
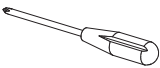


6

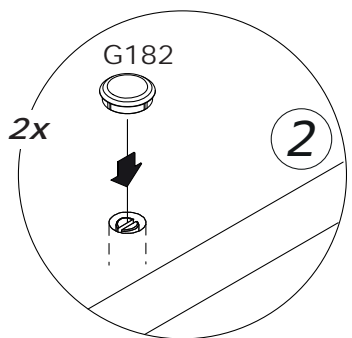
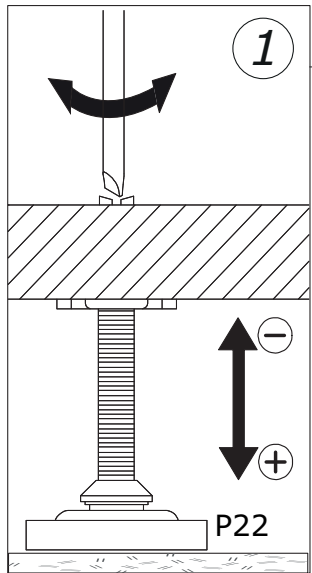
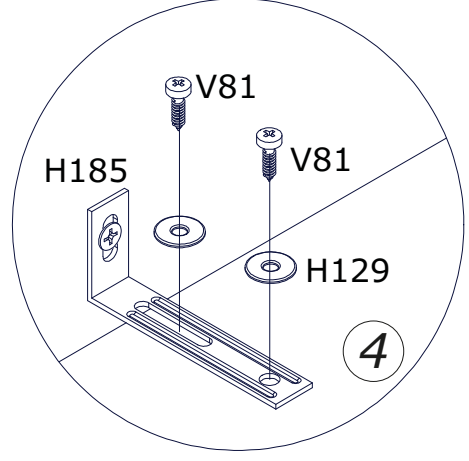
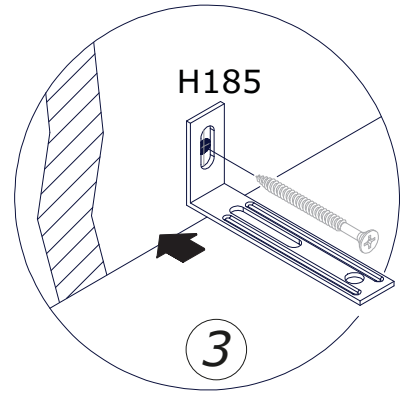
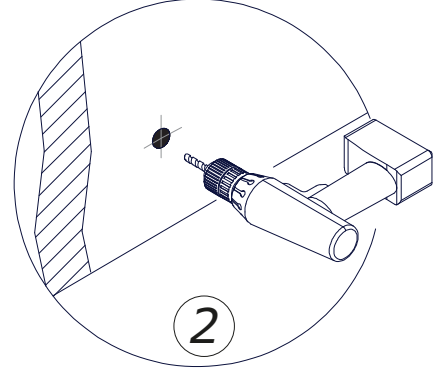
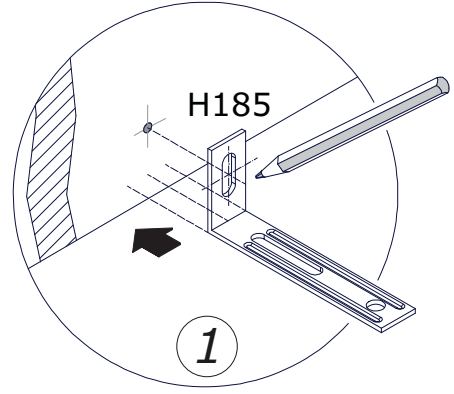
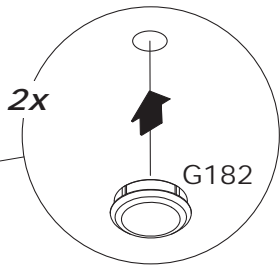
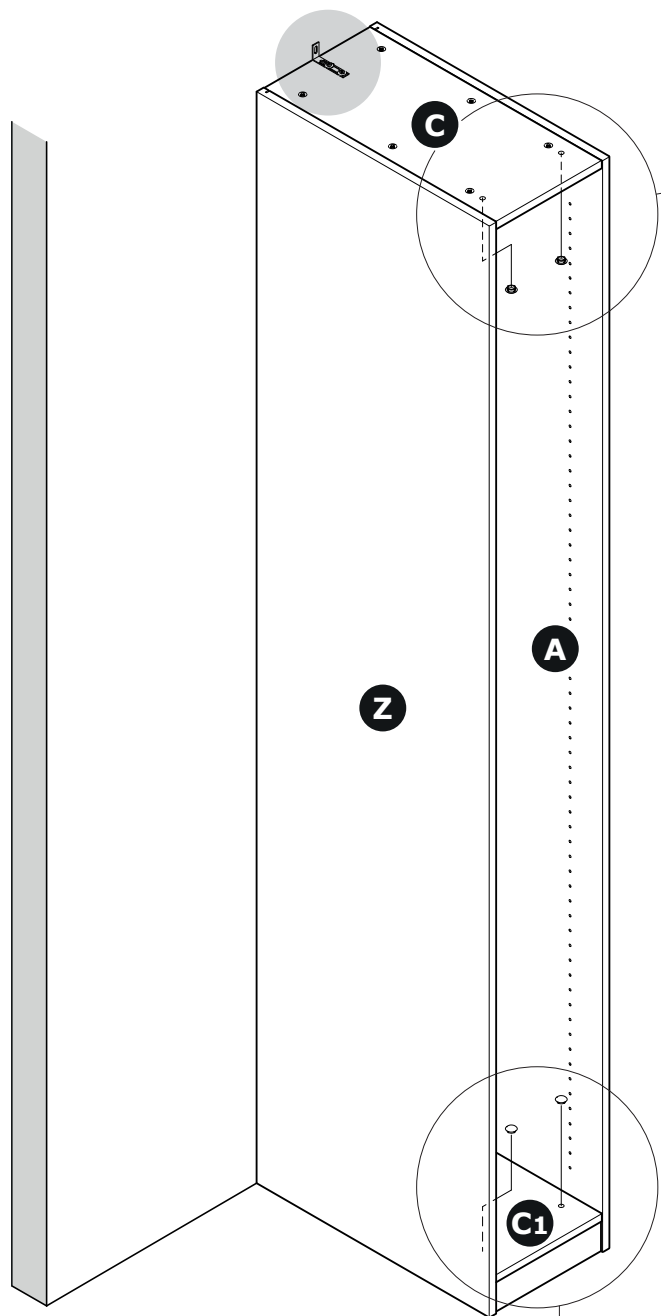
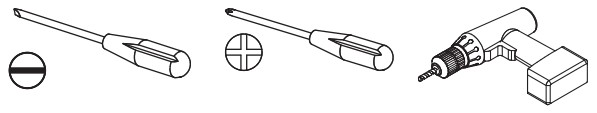


7





9



10

