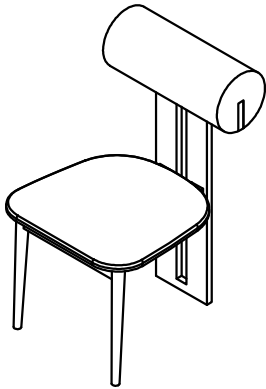


ASSEMBLY INSTRUCTIONS



+ Do Not Use Power Tools



+ Suggested Adults



NOTE: For questions about parts or assembly please.

- 1 Read instructions cover to cover.
- 2 Save all packaging until assembly is completed.

1 IMPORTANT SAFETY INFORMATION

Do not assemble the product if any of the following parts arrived damaged:

- Part 1 - Chair front leg
- Part 2 - Chair back leg
- Part 3 - Chair frame
- Part 3 - Chair seat

Do not assemble if any of the following Hardware parts are missing:

- | | |
|--------------------|-------------------|
| Part A - Allen Key | Part F - Bolt |
| Part B - Allen Key | Part G - Bolt |
| Part C - Bolt | Part H - Shrapnel |
| Part D - Shrapnel | Part I - Gasket |
| Part E - Gasket | |

2 IMPORTANT ASSEMBLY INFORMATION

Assembly Step If loosening persists, please make sure to tighten all the bolts periodically, or use a thread locker adhesive.

+ Parts Included

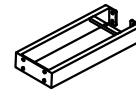
① Front leg x1pc



② Back leg x1pc



③ frame x1pc



④ Seat x1pc



+ Hardware Included

A Allen Key x1pc
6#



B Allen Key x1pc
5#



C Bolt x4pcs
M8*20



D Shrapnel x4pcs
Ø15



E Gasket x4pcs
Ø17xØ8



F Bolt x6pcs
M6*20



G Bolt x1pcs
M6*25



H Shrapnel x4pcs
Ø13

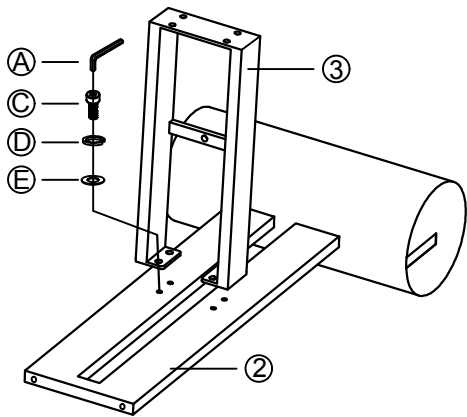


I Gasket x7pcs
Ø16xØ6



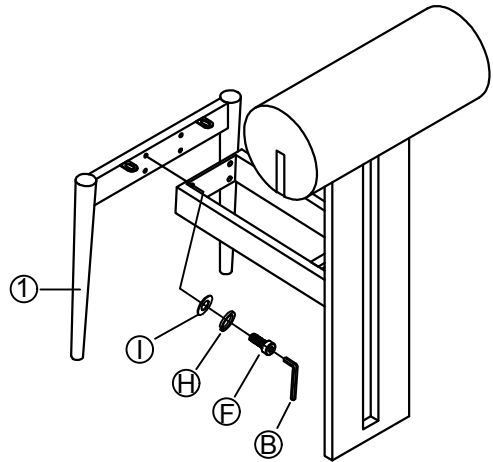
ASSEMBLY INSTRUCTIONS

①



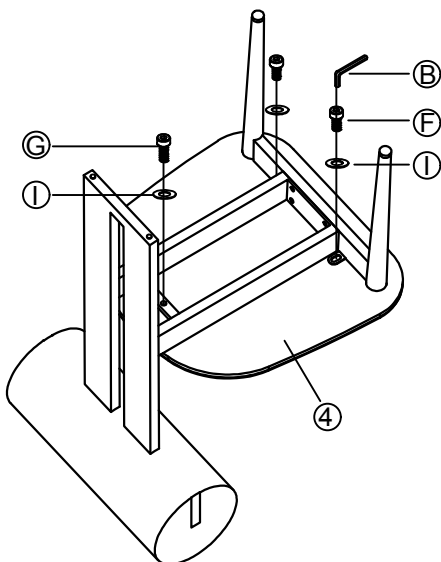
Don't lock the bolts tightly.

②

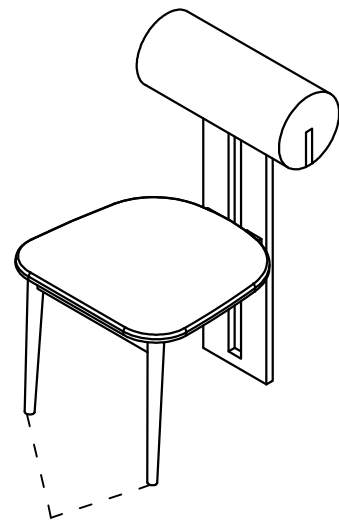


Don't lock the bolts tightly first,
Level the chair and tighten all the bolts .

③



④



Adjust if uneven