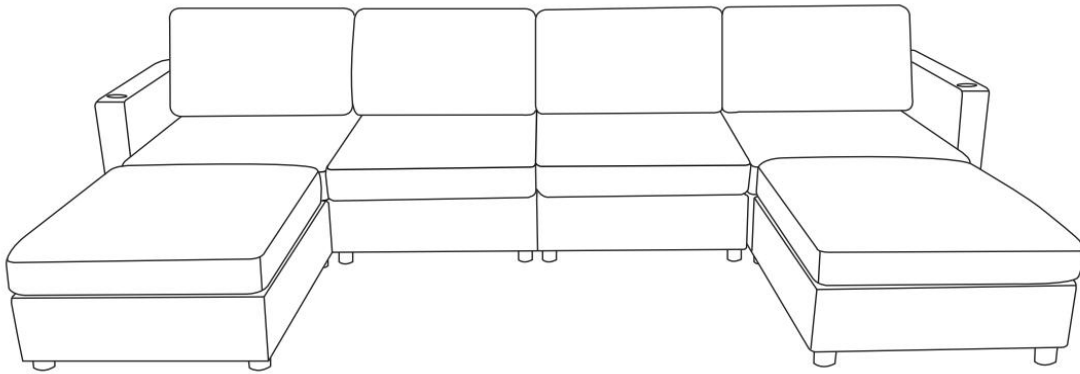


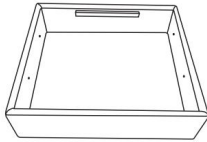
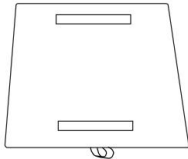

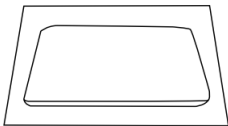
Assembly Instructions

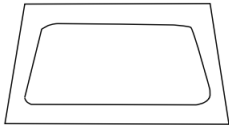

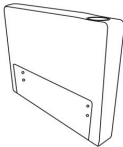


Note: Please help to read my instruction before you ready to assemble.

Sofa












Part List

Label	Picture	Description	QTY (PCS)
A		Seat Frame	6
B		Seat Panel	6
C		Backrest	4
D		Compressed Seat Cushion	6

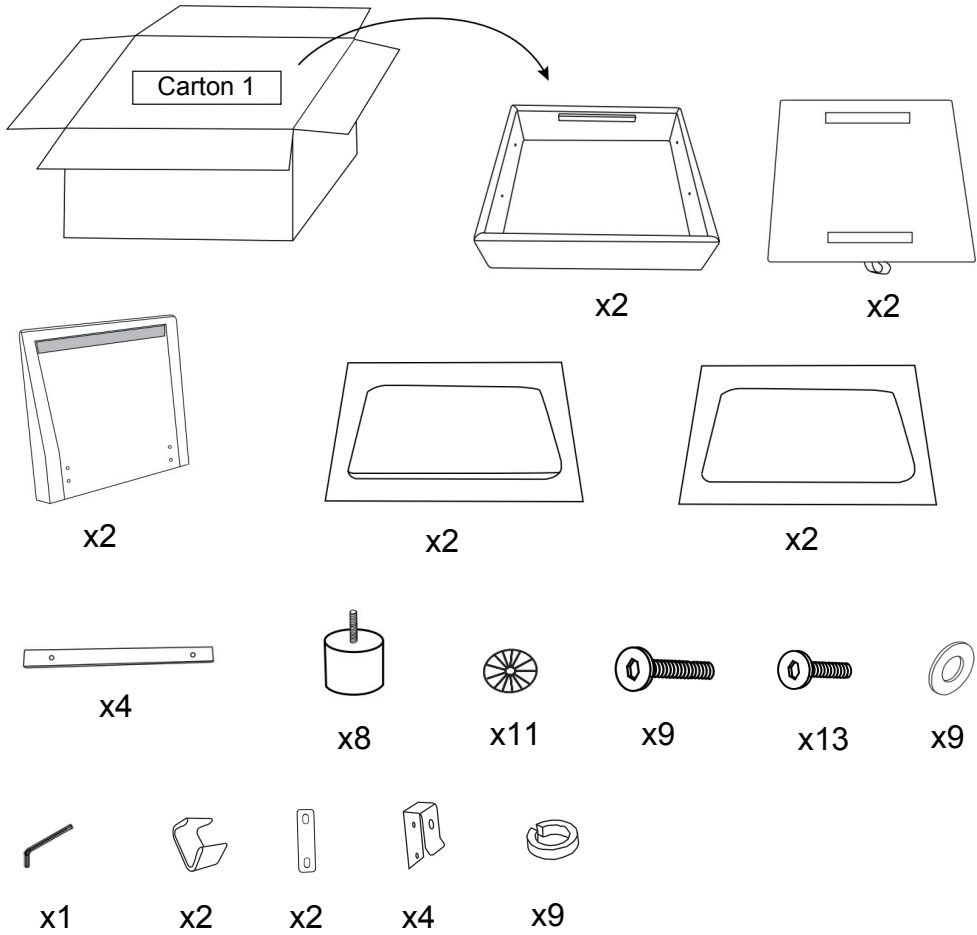
E		Compressed Back Cushion	4
F		Left Armrest	1
G		Right Armrest	1
H		Wood Batten	12
I		Leg	28

Hardware

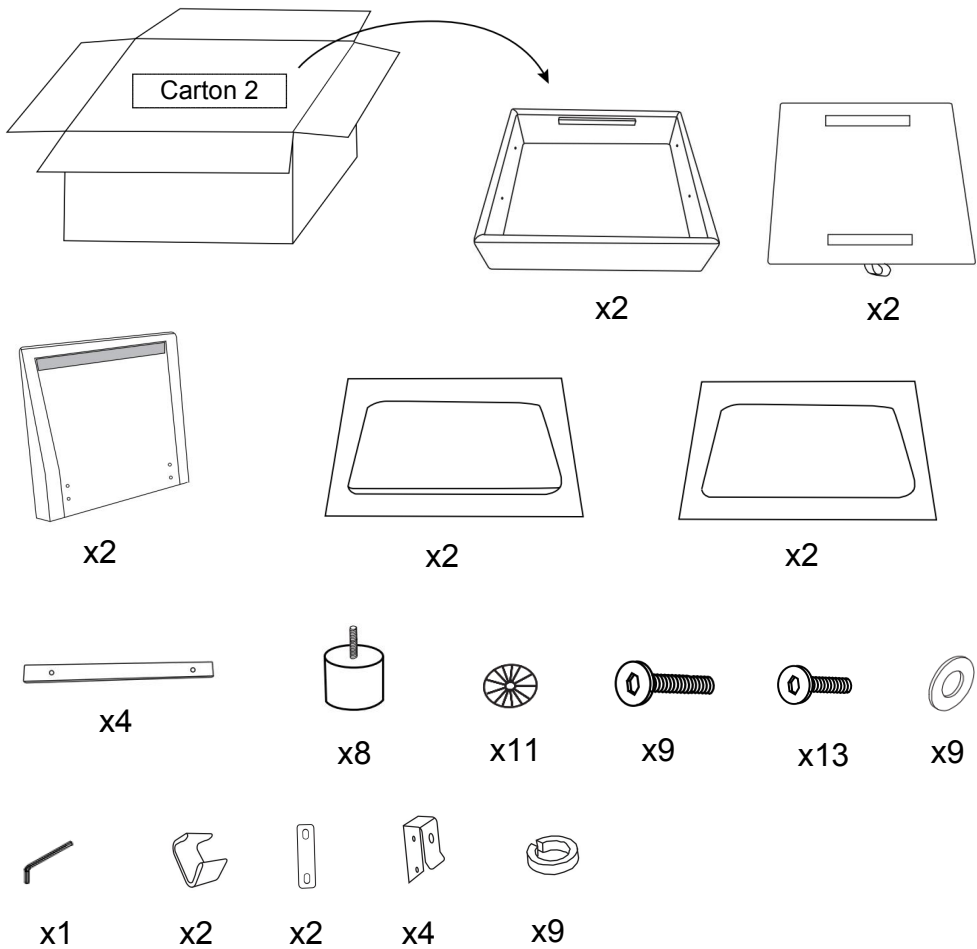
①		Plastic Washer	36
②		Bolt (M6*40mm)	27
③		Bolt (M6*20mm)	39
④		Flat Washer	27
⑤		Spring Washer	27
⑥		Allen Wrench	3
⑦		Clips	6
⑧		Connecting Piece	6
⑨		Hook	12

Assembly Preparation

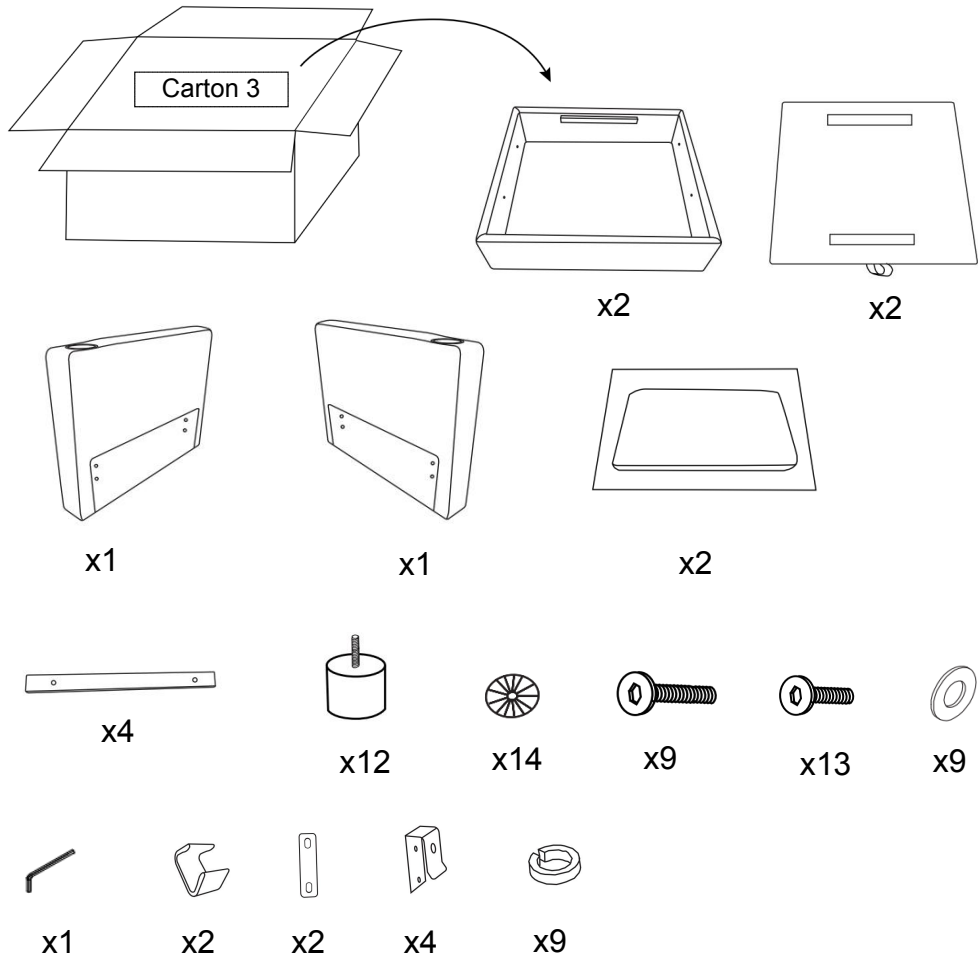
All Including:



All Including:



All Including:

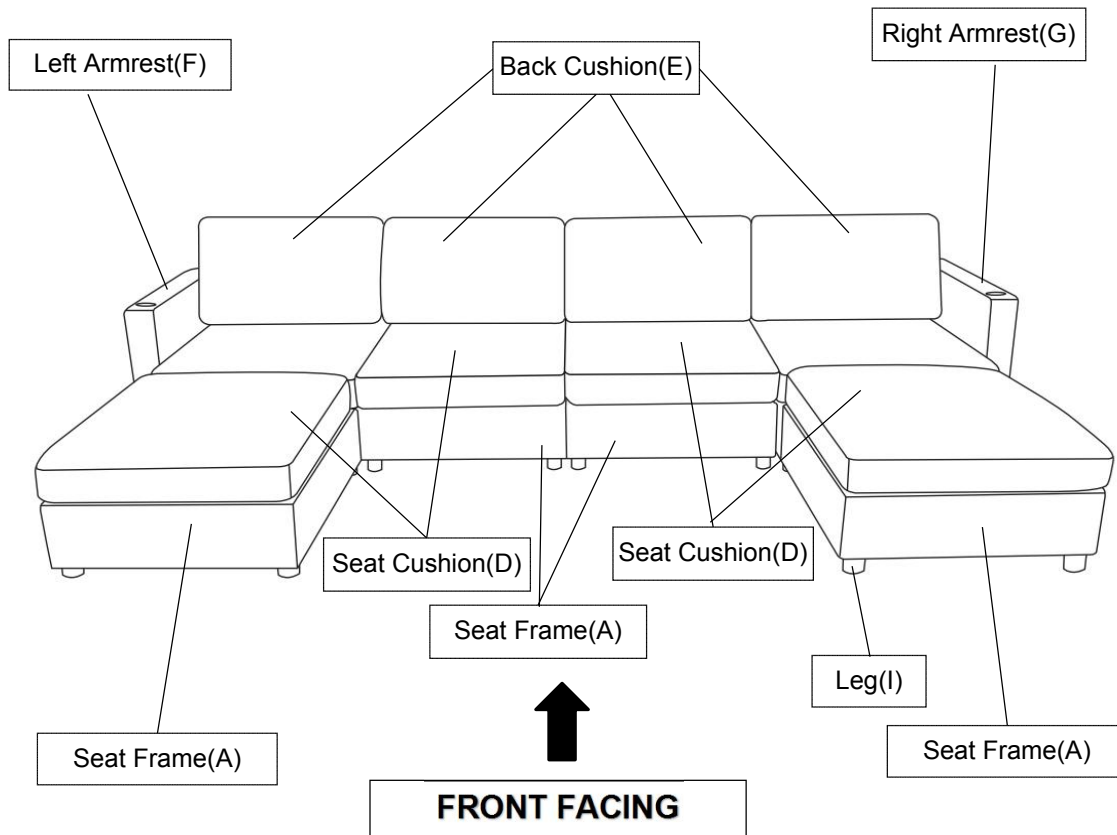


NOTICE:

- Please read the instruction from cover to cover in detail.Thanks.
- Installed by at least two adults
- To avoid damaging your furniture , Please don't assemble on flooring or carpet.
- Please assemble on a clean non-marring surface, example for packing foam.
- Saving all packaging until have finished.

Assembly Steps:

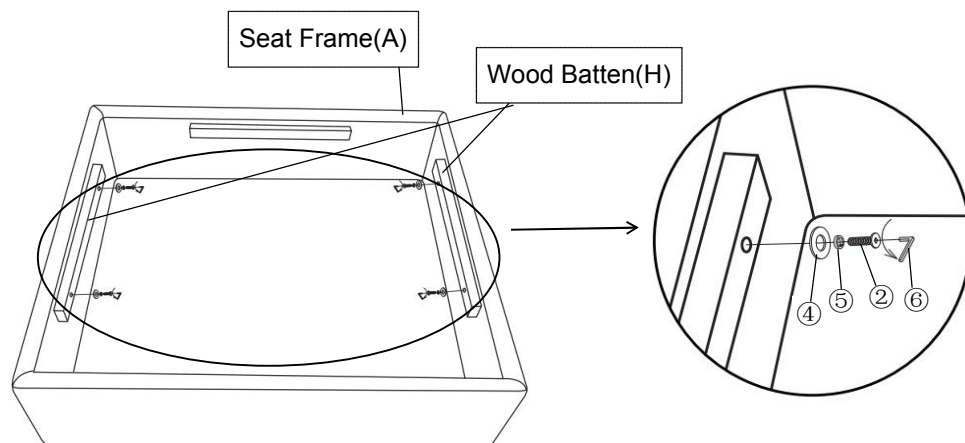
OVERVIEW



This Sofa has multiple parts and may require up to 60 minutes to assemble. To give you an overview of the Sofa parts, the above picture is to help you put the various parts into perspective. Please read through the instructions below to familiarise yourself with the parts and steps before assembly.

Note: It is recommended that you have an adult partner to assist during the entire assembly process.

Step 1

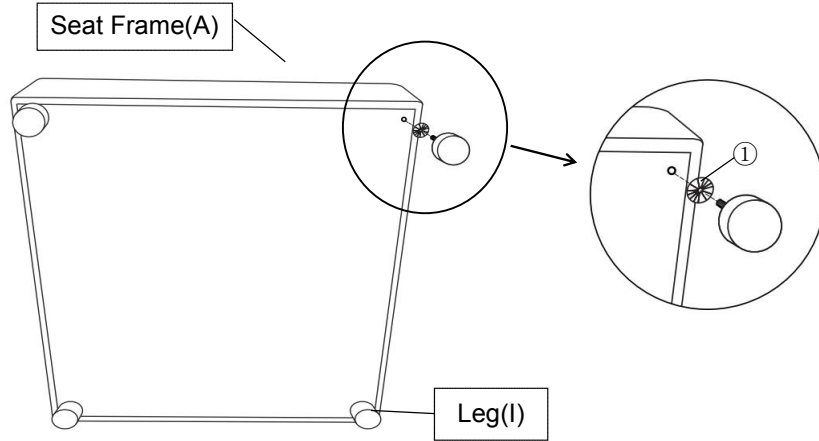


Open the carton and place all the parts on a clean, non-marring surface.

Install the Wood Batten(H) to Seat Frame(A) by using Bolt(2) Spring Washer(5) Flat Washer(4) with Allen Wrench(6), turning clockwise until tight.

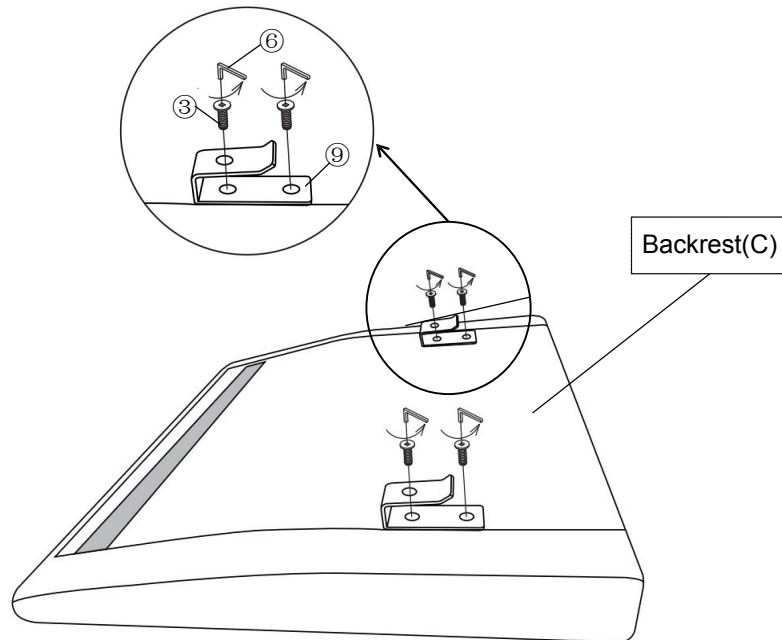
Repeat the same step with the remaining Seat Frame(A).

Step 2



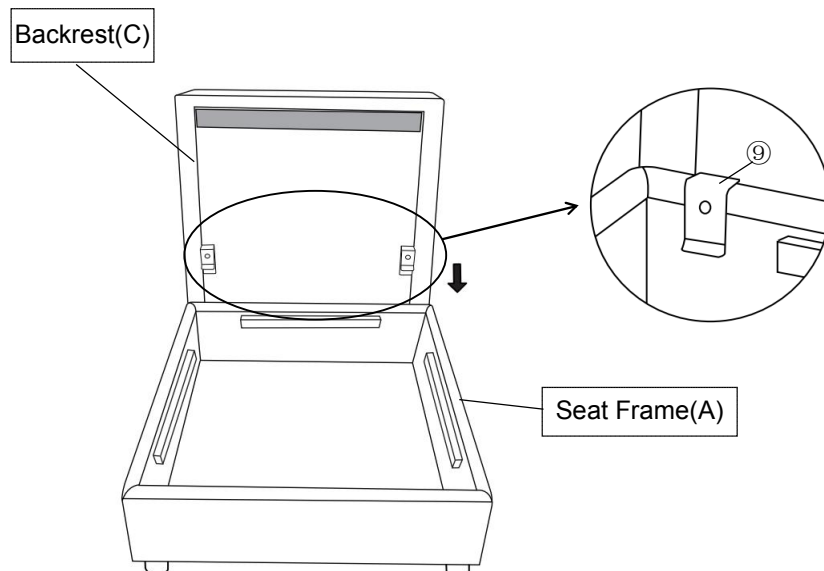
Install the Leg(I) at the bottom of Seat Frame(A) by placing Plastic Washer(1) on the threaded stem, then insert the threaded stem into the threaded mounting position at the bottom of Seat Frame(A), turning clockwise until tight. Repeat the same step to install the remaining three Legs(I).
Note: The use of Plastic Washer(1) is OPTIONAL and is especially useful to help alleviate slight wobbleness. Some Legs may need more than one Plastic Washer(1) whilst some Legs may not need any.

Step 3



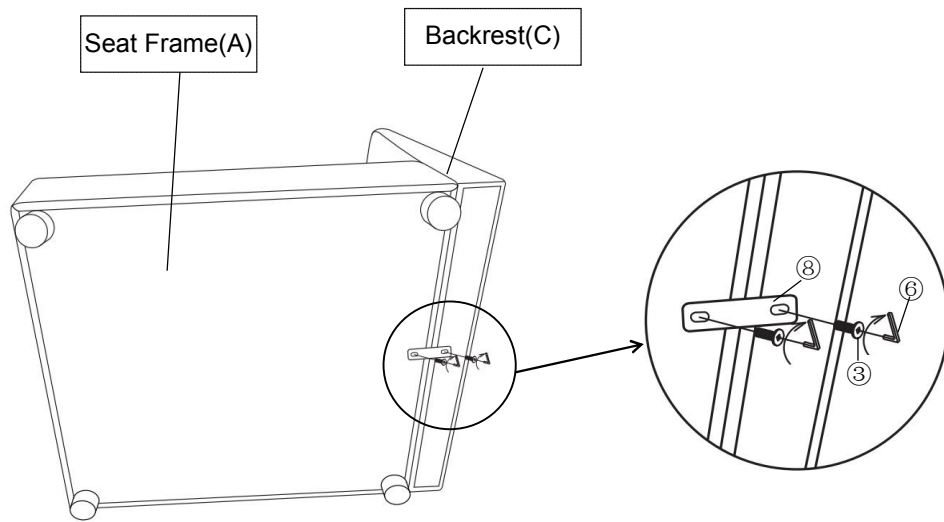
Install the Hook(9) on the Backrest(C) by using Bolt(3) with Allen Wrench(6), turning clockwise until tight. Repeat the same step with the remaining Backrest(C).

Step 4



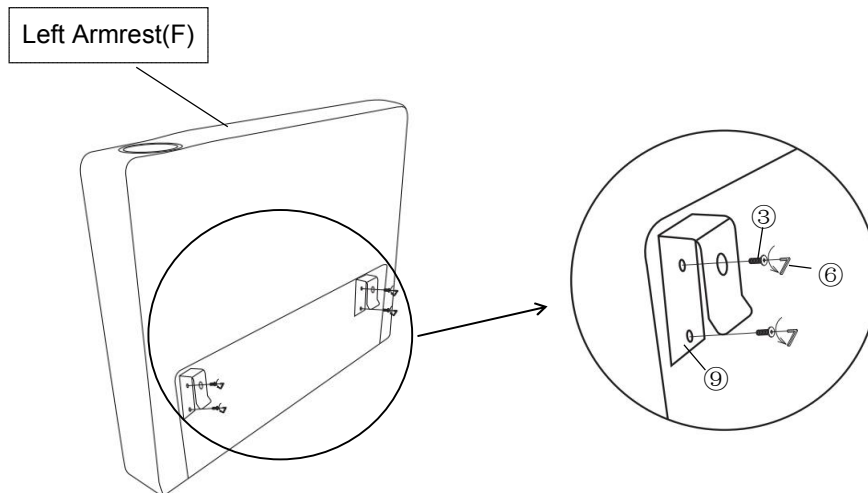
Holding the Backrest(C) and hook into the Seat Frame(A) as picture showed above.
Repeat the same step with remaining Seat Frame(A) and Backrest(C).

Step 5



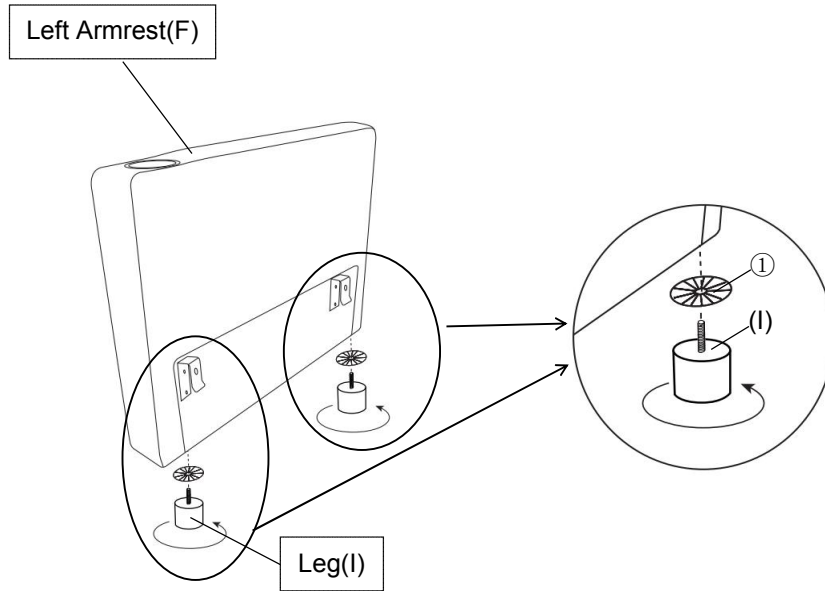
Position the Seat Frame(A) bottom up,install the Connecting Piece(8) to the bottom of Seat Frame(A) and Backrest(C) by using Bolt(3) with Allen Wrench(6) turning clockwise until tight.

Step 6



Install the Hook(9) on the Left Armrest(F) by using Bolt(3) with Allen Wrench(6),turning clockwise until tight.

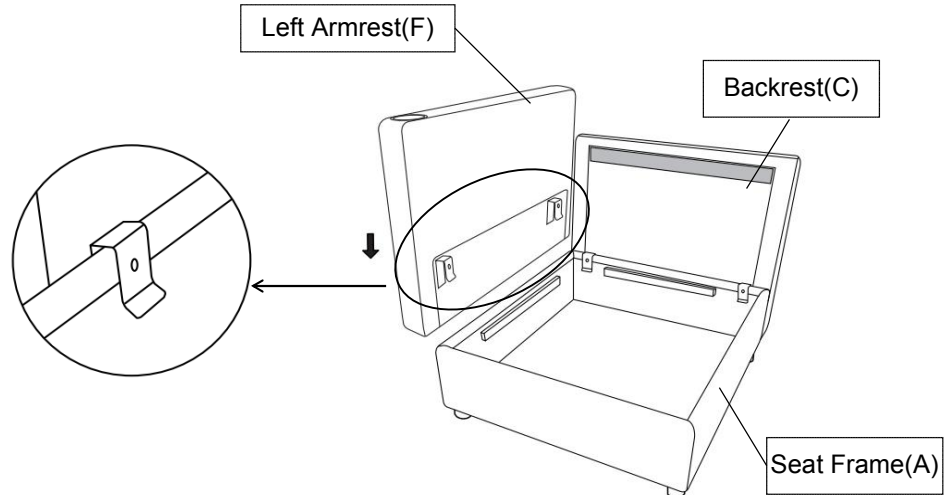
Step 7



Install the Leg(l) at the bottom of Left Armrest(F) by placing Plastic Washer(1) on the threaded stem. then insert threaded stem into the threaded mounting position at the bottom of Left Armrest(F). turning clockwise until tight.

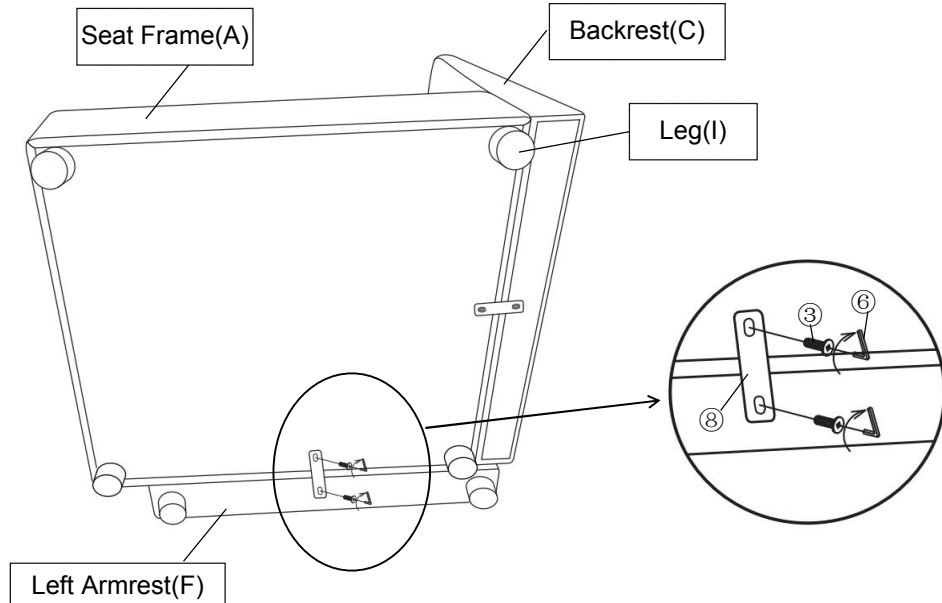
Note: The use of Plastic Washer(1) are OPTIONAL and are especially useful to help alleviate slight wobbleness. Some Legs may need more than one Plastic Washer(1) whilst some Legs may not need any.

Step 8



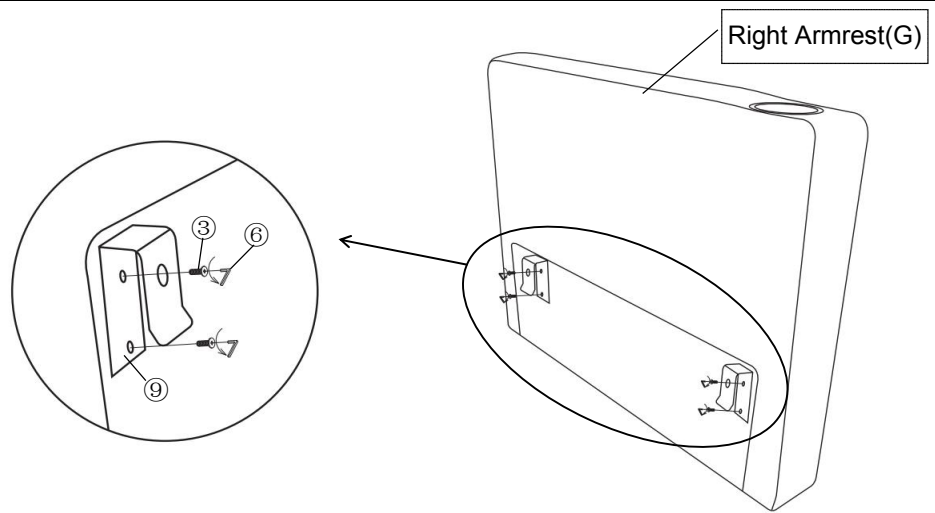
Holding the Left Armrest(F) and hook into the left side of Seat Frame(A) as picture showed above.

Step 9



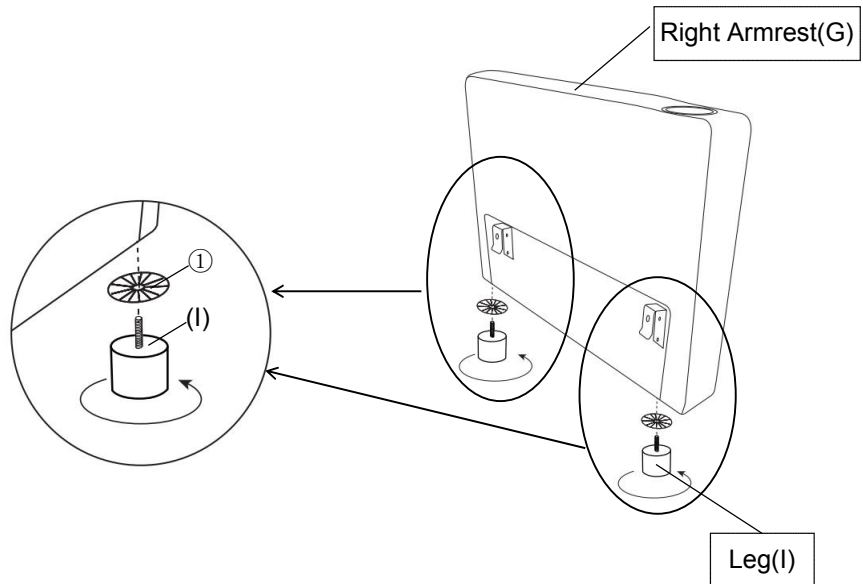
Position the Seat Frame(A) bottom up,install the Connecting Piece(8) to the bottom of Seat Frame(A) and Left Armrest(F) by using Bolt(3) with Allen Wrench(6) turning clockwise until tight.

Step 10



Install the Hook(9) on the Right Armrest(G) by using Bolt(3) with Allen Wrench(6),turning clockwise until tight.

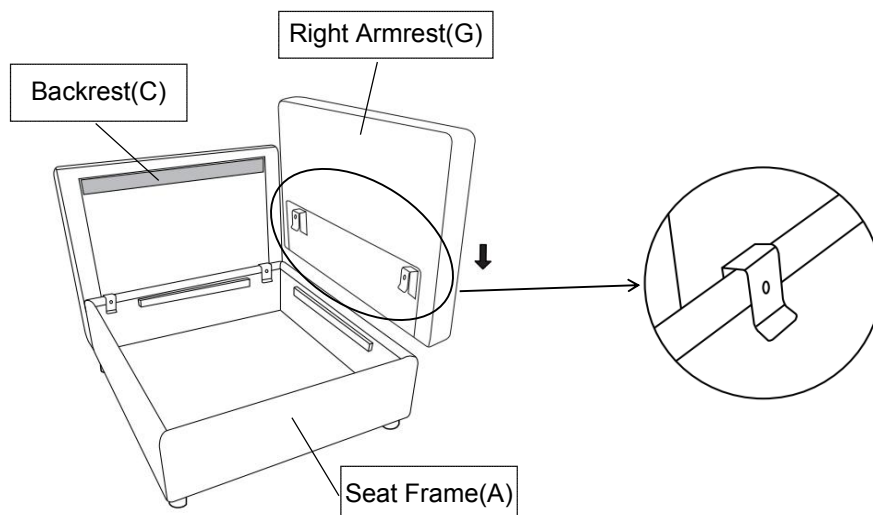
Step 11



Install the Leg(I) at the bottom of Right Armrest(G)by placing Plastic Washer(1) on the threaded stem.then insert threaded stem into the threaded mounting position at the bottom of Right Armrest(G).turning clockwise until tight.

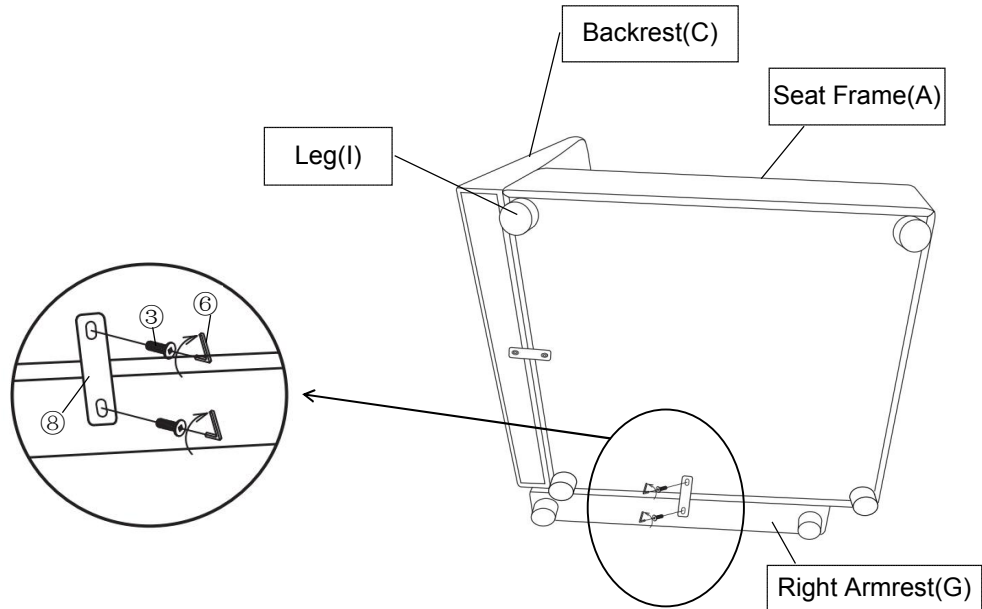
Note: The use of Plastic Washer(1) are OPTIONAL and are especially useful to help alleviate slight wobbleness. Some Legs may need more than one Plastic Washer(1) whilst some Legs may not need any.

Step 12



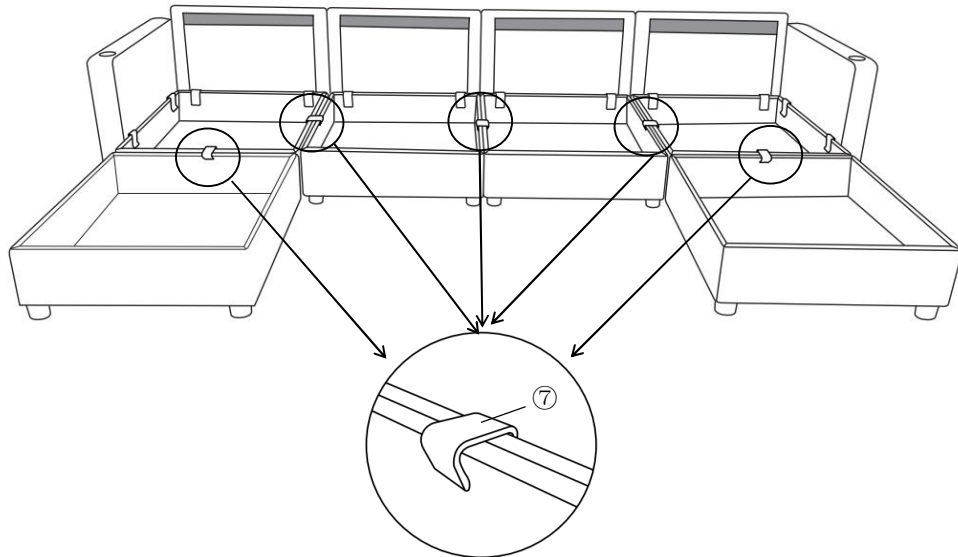
Holding the Right Armrest(G) and hook into the right side of Seat Frame(A) as picture showed above.

Step 13



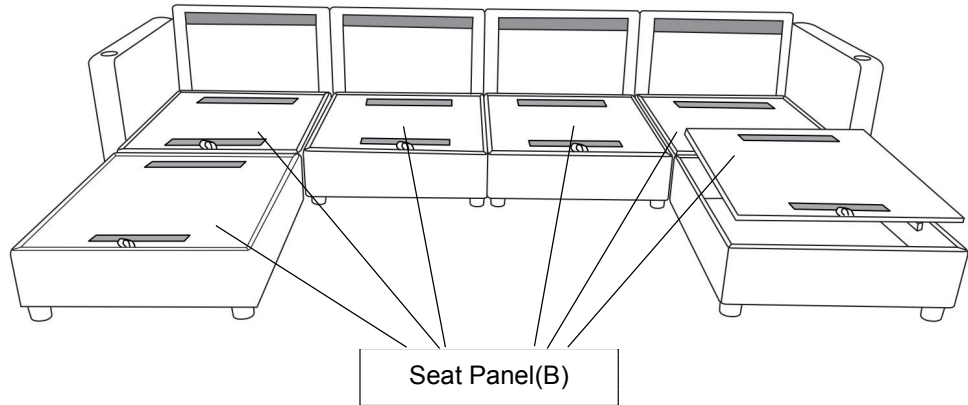
Position the Seat Frame(A) bottom up, install the Connecting Piece(3) to the bottom of Seat Frame(A) and Right Armrest(G) by using Bolt(3) with Allen Wrench(6) turning clockwise until tight.

Step 14



Put all the fully assembled Seat Frame one by one as picture showed.us the clip(7) connected together.

Step 15

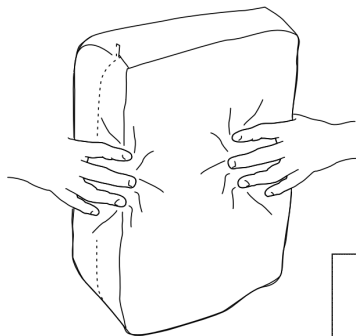
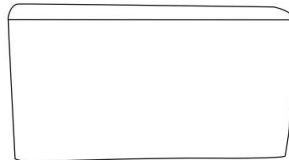
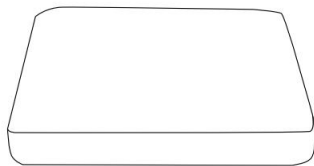
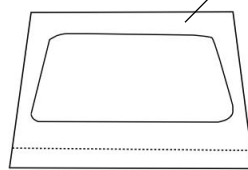
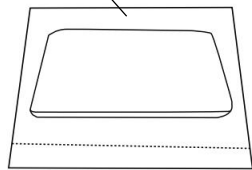


Put the Seat Panel(B) on the Seat Frame.

Step 16

Compressed Seat Cushion(D)

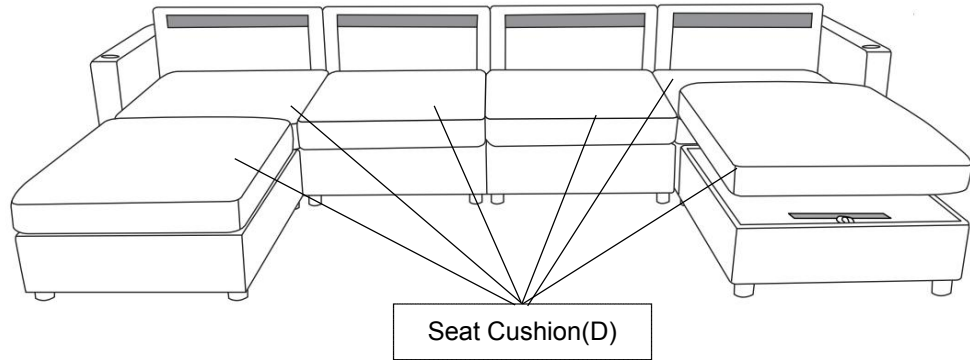
Compressed Back Cushion(E)



Seat Cushion(D) and Back Cushion(E) need to be flapped or stay for a while to avoid wrinkles

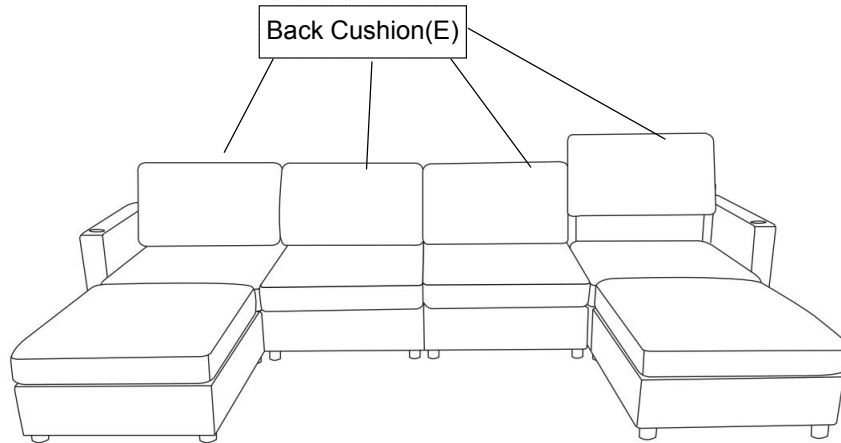
Remove the Seat Cushion(D) and Back Cushion(E) by Cut the plastic bag.

Step 17



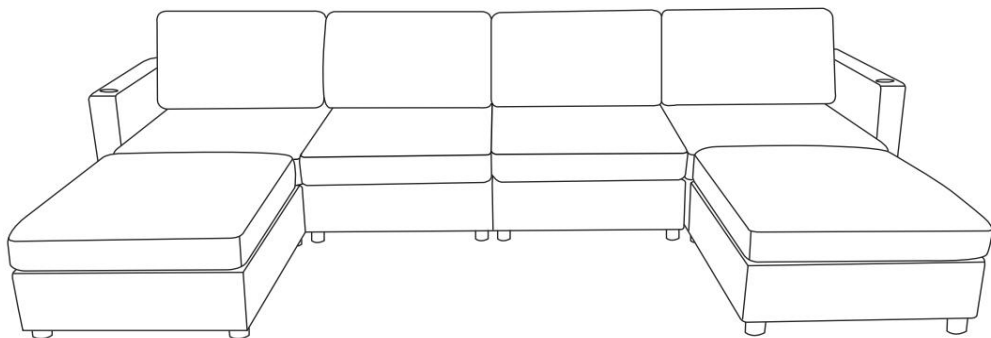
Put Seat Cushion(D) on the sofa.

Step 18



Put the Back Cushion(E) on the sofa.

Step 19



Your sofa is ready to use.
This Sofa can only be used on a flat, level surface.

Care & Maintenance



- Furniture may scratch floors. We recommend using furniture pads to protect your floors.



- Do not put hot items directly on furniture surface.



- Do not clean furniture with harsh cleansers or polish.



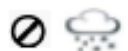
- Do not place furniture under direct sunlight.



- Do not place furniture near heating or cooling vents.



- Do not write on furniture without a padded barrier to protect the surface.



- Do not place furniture outside . For indoor use only.



- Not for commercial use. For residential use only.



- Stains may be removed with mild soap solution and damp cloth.



- Children should not climb or jump on the furniture.



- Dust and pick-up spills using a clean, non-colored, lint-free cloth.