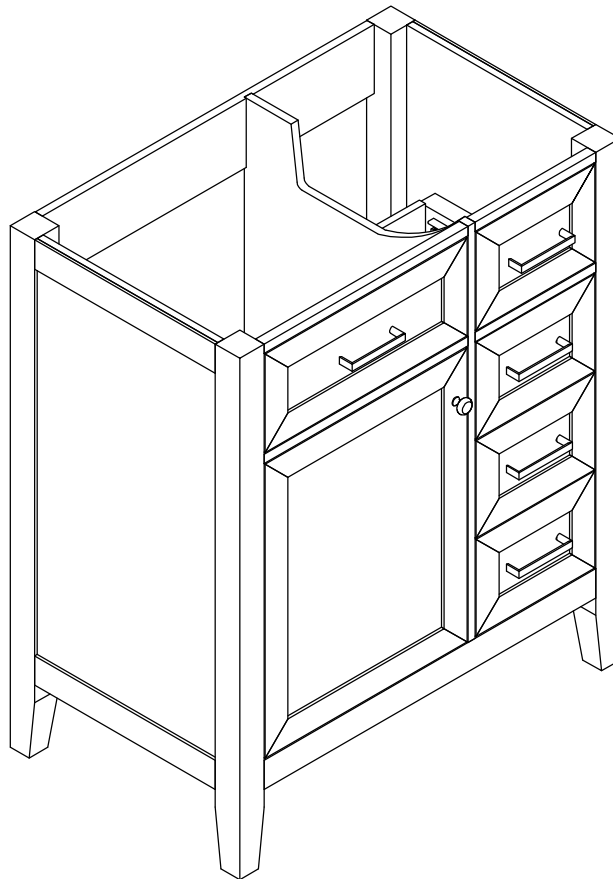


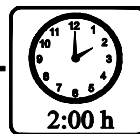
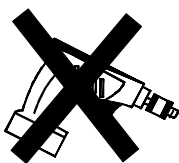
# ASSEMBLY INSTRUCTIONS

## 30 INCH BATH VANITY-CABINET



Thank you for purchasing this quality product. Be sure to check all packing material carefully for small parts which may have come loose inside the carton during shipment. Separate, identify and count all parts and hardware. Compare with the parts list to be sure all parts are present. "DO NOT TIGHTEN SCREWS UNTIL COMPLETELY ASSEMBLED"

**\* Use of power tool to assemble this product will invalidate any claim and damage this product making unsafe !!!**  
**\* Please assemble on a clean soft surface to avoid damage.**



### Tools Required



(Not included)



(Not included)

**IMPORTANT:**

**PLEASE READ INSTRUCTION BEFORE STARTING THE ASSEMBLY**

**Thank you for buying our products.**

**Please read the installation manual carefully before installation,**

**we need you to follow the instructions on the accessories and hardware**

**step by step assembly complete, our instructions are very detailed.**

**Products are environmentally friendly products,**

**Please rest assured that you do not soak in water, do not place very heavy items,**

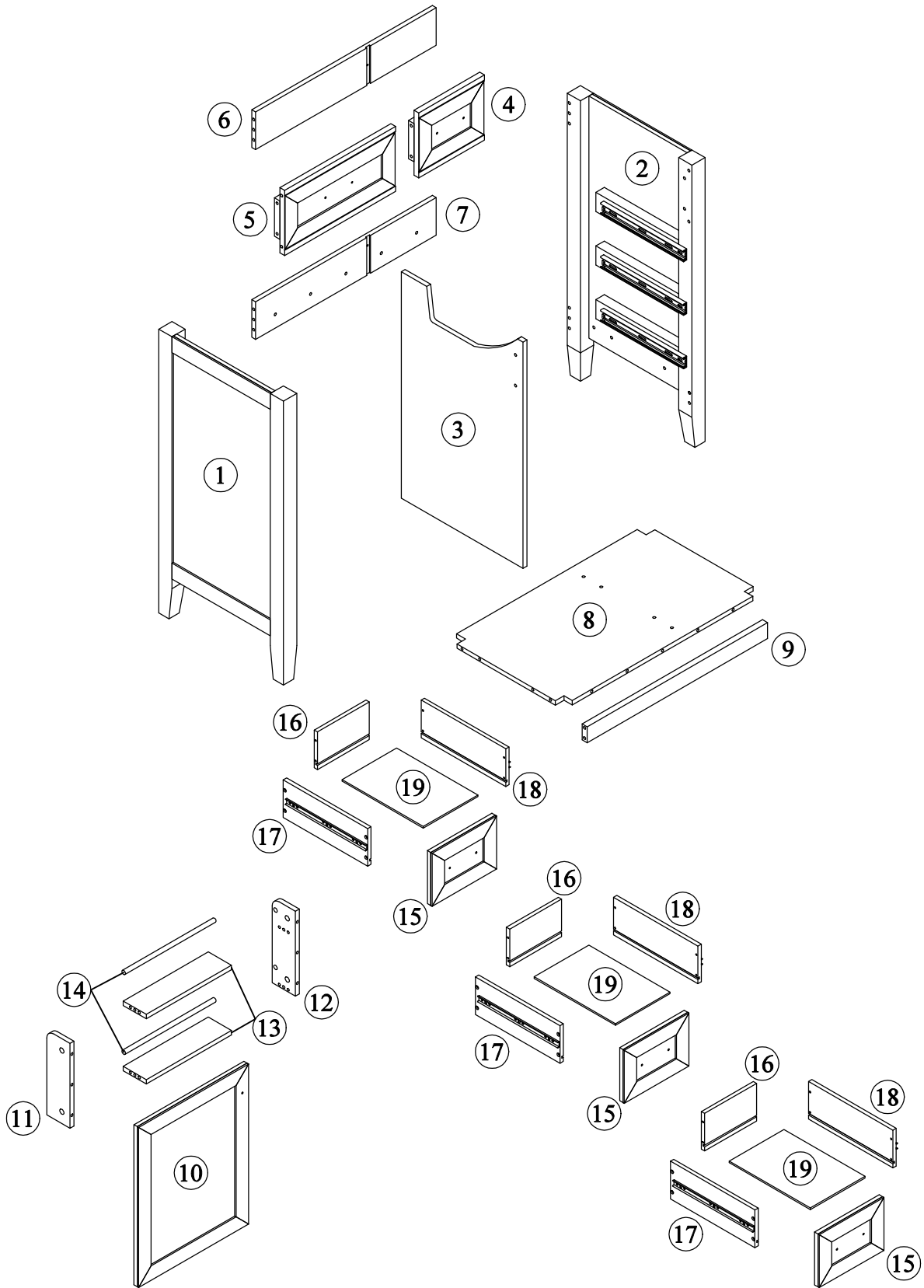
**do not malicious push and pull,**

**if you have any problems in the process of assembly and use, please contact us.**

**Thank you again for your purchase of our products,**

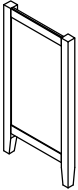
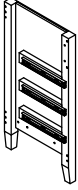

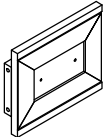
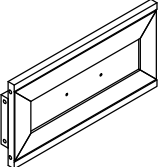
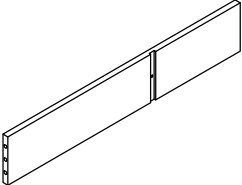
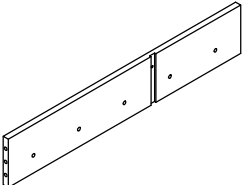
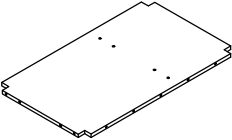
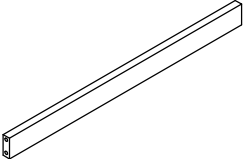
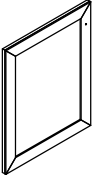


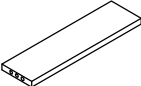

**I wish you a happy life.**

# Detail View - CABINET

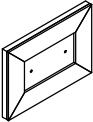
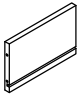
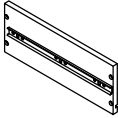
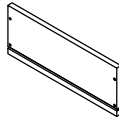
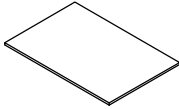


**Identifying the Hardware**-Identify the hardware using the illustrations below.




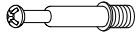


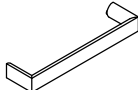
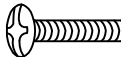
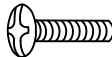




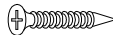


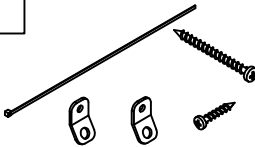
# Part List -

<p><b>1</b></p>  <p>Side Panel (L) - 1pc</p>	<p><b>2</b></p>  <p>Side Panel (R) - 1pc</p>
<p><b>3</b></p>  <p>Mid Panel - 1pc</p>	<p><b>4</b></p>  <p>Drawer Fake (R) - 1pc</p>
<p><b>5</b></p>  <p>Drawer Fake (L) - 1pc</p>	<p><b>6</b></p>  <p>Top Panel Rear - 1pc</p>
<p><b>7</b></p>  <p>Bottom Panel Rear - 1pc</p>	<p><b>8</b></p>  <p>Bottom Panel - 1pc</p>
<p><b>9</b></p>  <p>Bottom Crossbar Front - 1pc</p>	<p><b>10</b></p>  <p>Cabinet Door - 1pc</p>
<p><b>11</b></p>  <p>Door Side Panel (L) - 1pc</p>	<p><b>12</b></p>  <p>Door Side Panel (R) - 1pc</p>
<p><b>13</b></p>  <p>Door Mid Panel - 2pcs</p>	<p><b>14</b></p>  <p>Round Bar - 2pcs</p>

**Part List -**

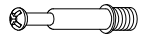
<p><b>15</b></p>  <p><b>Drawer Face - 3pcs</b></p>	<p><b>16</b></p>  <p><b>Drawer Back Panel - 3pcs</b></p>
<p><b>17</b></p>  <p><b>Drawer Side Panel (L) - 3pcs</b></p>	<p><b>18</b></p>  <p><b>Drawer Side Panel (R) - 3pcs</b></p>
<p><b>19</b></p>  <p><b>Bottom Drawer Panel - 3pcs</b></p>	

# Hardware List -

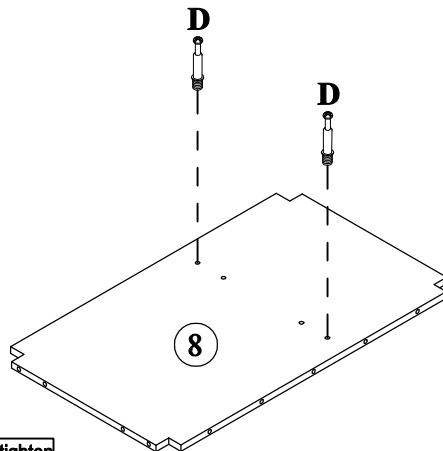
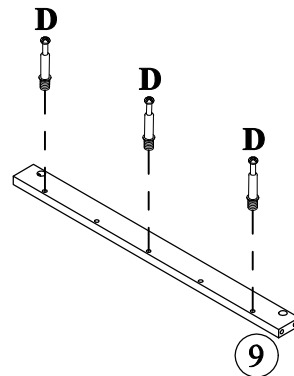
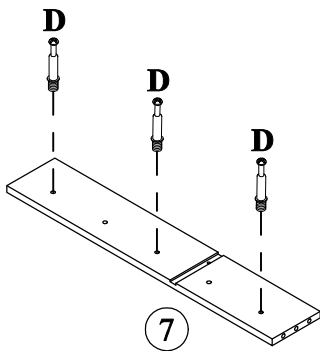
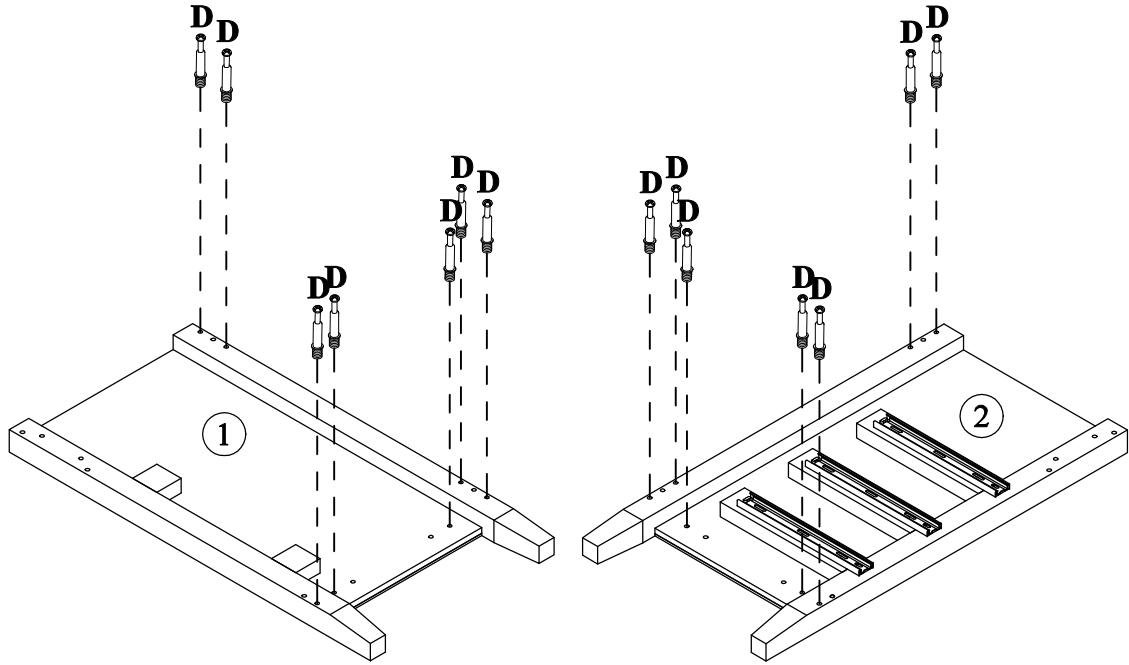
<p><b>A</b></p>  <p><math>\varnothing 13 \times 1/4" \times 28 \text{mm}</math></p> <p>Hex-Head bolts(4pcs)</p>	<p><b>B</b></p>  <p><math>\varnothing 13 \times 1/4" \times 50 \text{mm}</math></p> <p>Hex-Head bolts(2pcs)</p>	<p><b>C</b></p>  <p><math>\varnothing 1/4" \times 16 \times 1 \text{mm}</math></p> <p>Washer(6pcs)</p>
<p><b>D</b></p>  <p><math>\varnothing 6 \times 35 \text{mm}</math></p> <p>Three in one bolts(34pcs)</p>	<p><b>E</b></p>  <p><math>\varnothing 14.5 \times 12 \text{mm}</math></p> <p>Three in one lock(34pcs)</p>	<p><b>F</b></p>  <p>Handle (1pc)</p>
<p><b>G</b></p>  <p>Handle (5pcs)</p>	<p><b>H</b></p>  <p><math>\varnothing 5/32" \times 20 \text{mm}</math></p> <p>Handle screw (1pc)</p>	<p><b>I</b></p>  <p><math>\varnothing 5/32" \times 15 \text{mm}</math></p> <p>Handle screw (4pcs)</p>
<p><b>J</b></p>  <p><math>\varnothing 5/32" \times 25 \text{mm}</math></p> <p>Handle screw (6pcs)</p>	<p><b>K</b></p>  <p><math>\varnothing 8 \times \varnothing 4 \times 25 \text{mm}</math></p> <p>Round head screw(2pcs)</p>	<p><b>L</b></p>  <p><math>\varnothing 8 \times \varnothing 4 \times 32 \text{mm}</math></p> <p>Round head screw(24pcs)</p>
<p><b>M</b></p>  <p>Damping hinge (2pcs)</p>	<p><b>N</b></p>  <p><math>\varnothing 7 \times \varnothing 3.5 \times 15 \text{mm}</math></p> <p>Flat head screw(12pcs)</p>	<p><b>O</b></p>  <p><math>\varnothing 8 \times 30 \text{mm}</math></p> <p>Wood dowel(30pcs)</p>
<p><b>P</b></p>  <p>4mm</p> <p>Allen key(1pc)</p>	<p><b>Q</b></p>  <p>Anti fall hardware(1set)</p>	

# STEP: 1


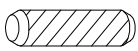
**D**

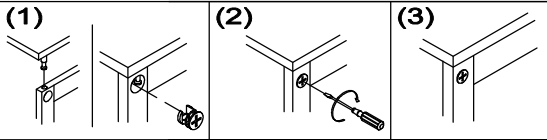
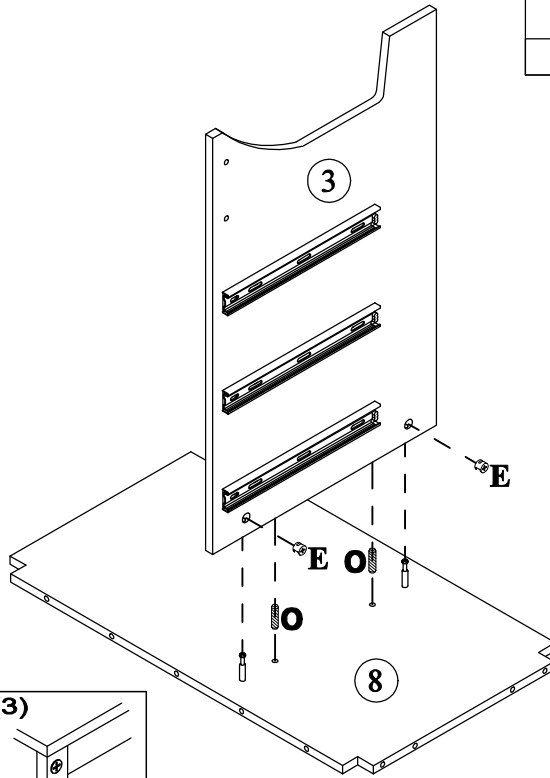


**22PCS**






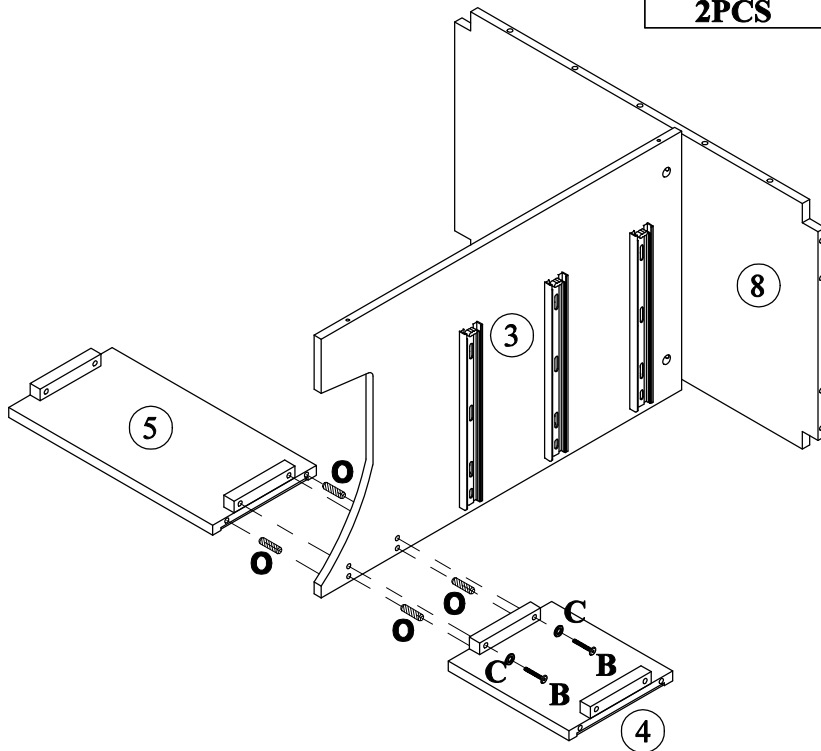
**STEP: 2**

<b>E</b>		<b>O</b>	
<b>2PCS</b>		<b>2PCS</b>	

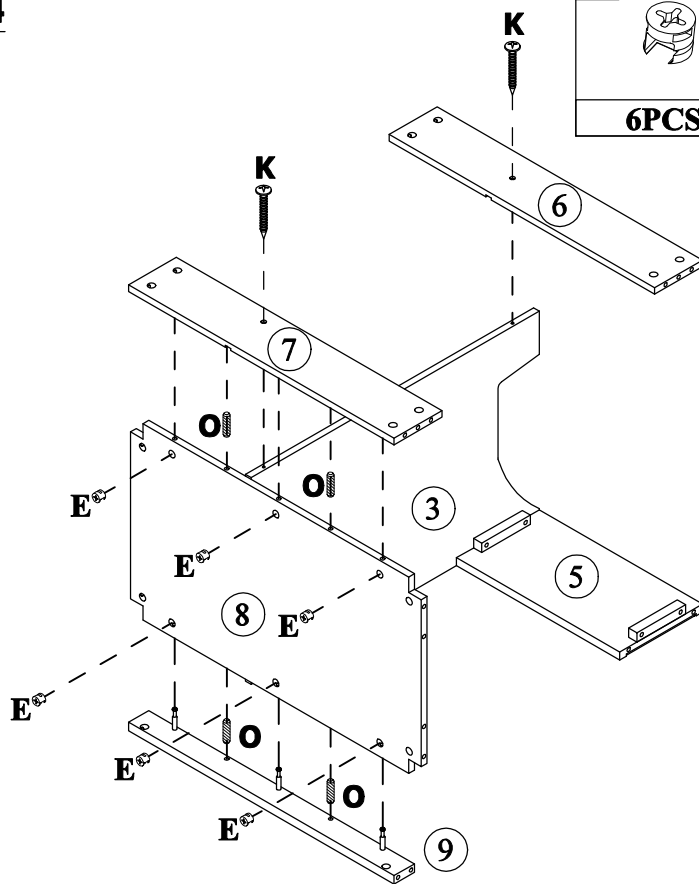



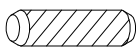

**STEP: 3**

<b>B</b>		<b>C</b>		<b>O</b>	
<b>2PCS</b>		<b>2PCS</b>		<b>4PCS</b>	

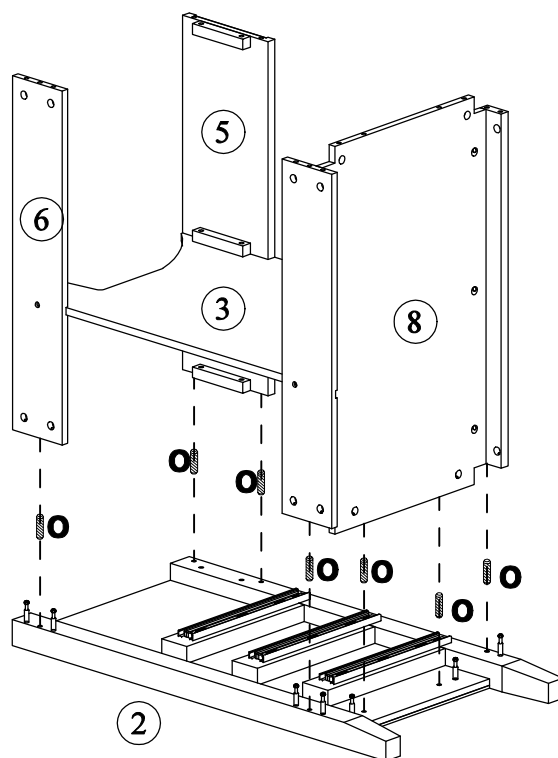



### STEP: 4






<b>E</b> 	<b>O</b> 	<b>K</b> 
<b>6PCS</b>	<b>4PCS</b>	<b>2PCS</b>

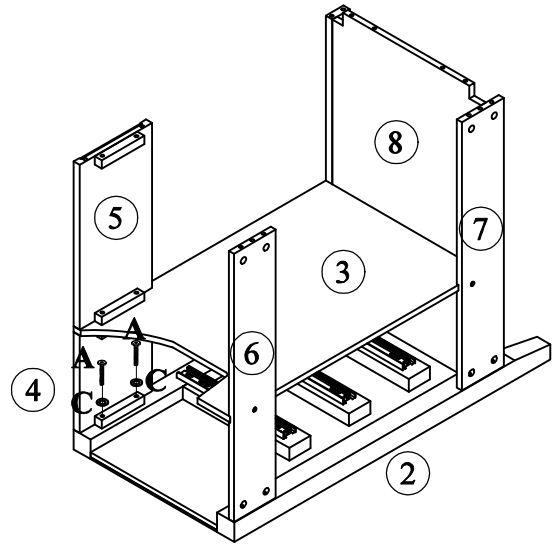
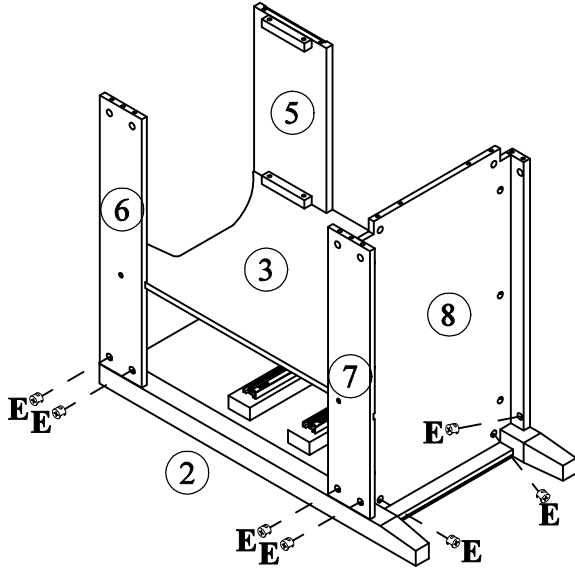
### STEP: 5







<b>O</b> 
<b>7PCS</b>

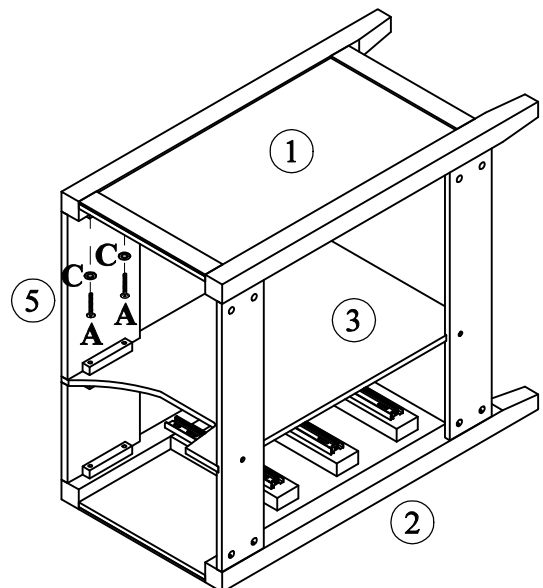
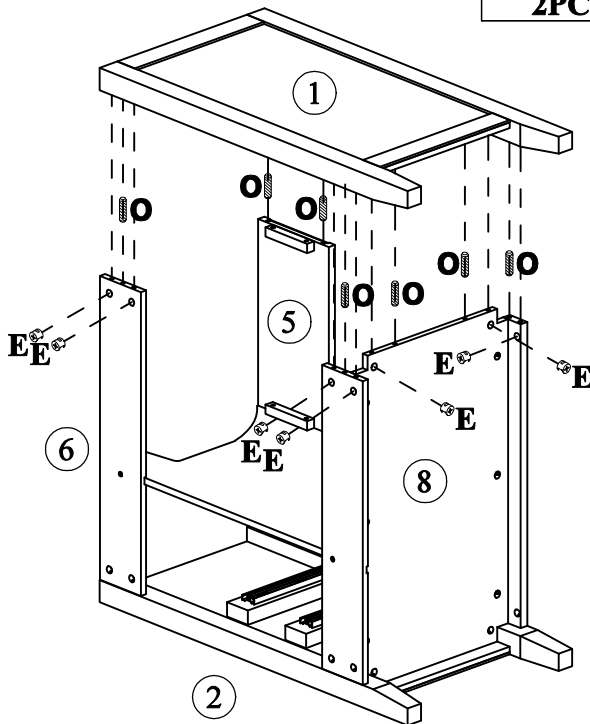
### STEP: 6

<b>A</b>	<b>C</b>	<b>E</b>
		
<b>2PCS</b>	<b>2PCS</b>	<b>7PCS</b>

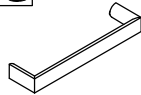
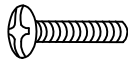


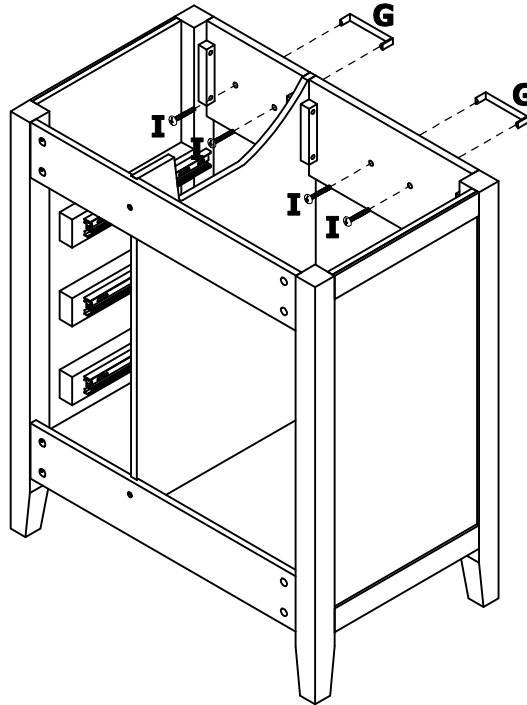
### STEP: 7

<b>A</b>	<b>C</b>	<b>E</b>	<b>O</b>
			
<b>2PCS</b>	<b>2PCS</b>	<b>7PCS</b>	<b>7PCS</b>

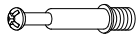


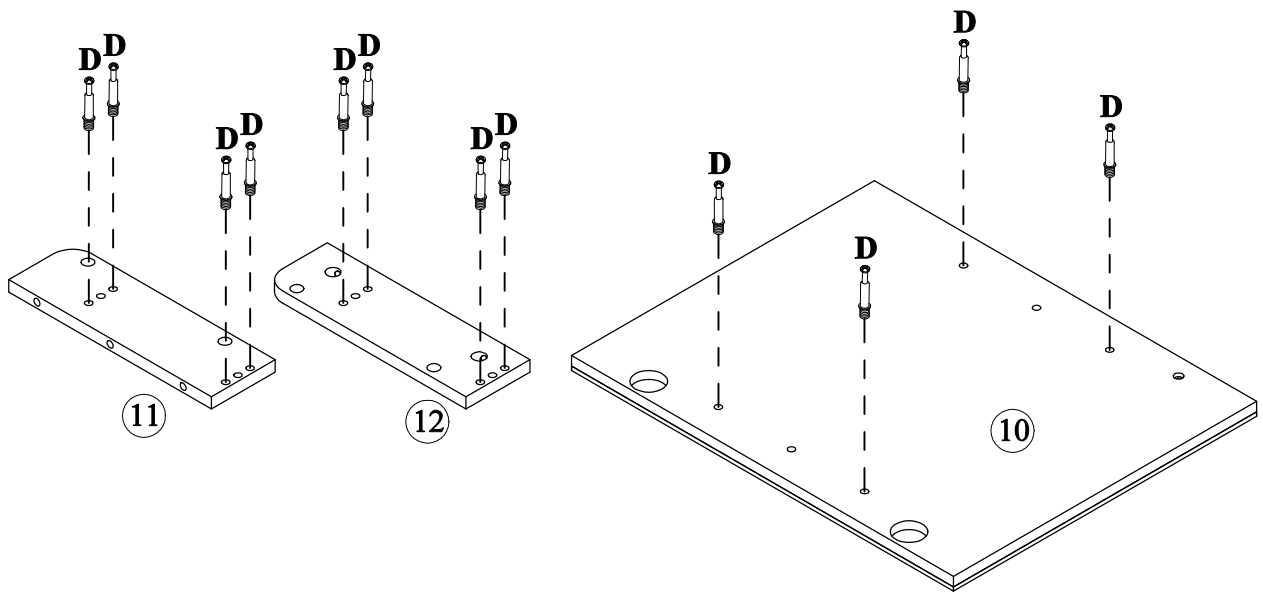
### STEP: 8

<b>G</b>		<b>I</b>	
<b>2PCS</b>		<b>4PCS</b>	


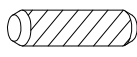


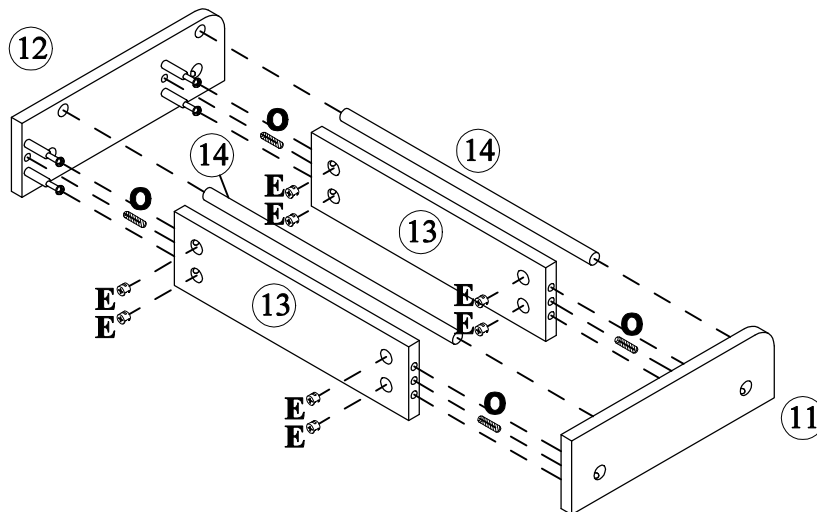
### STEP: 9

<b>D</b>	
<b>12PCS</b>	


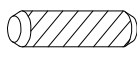


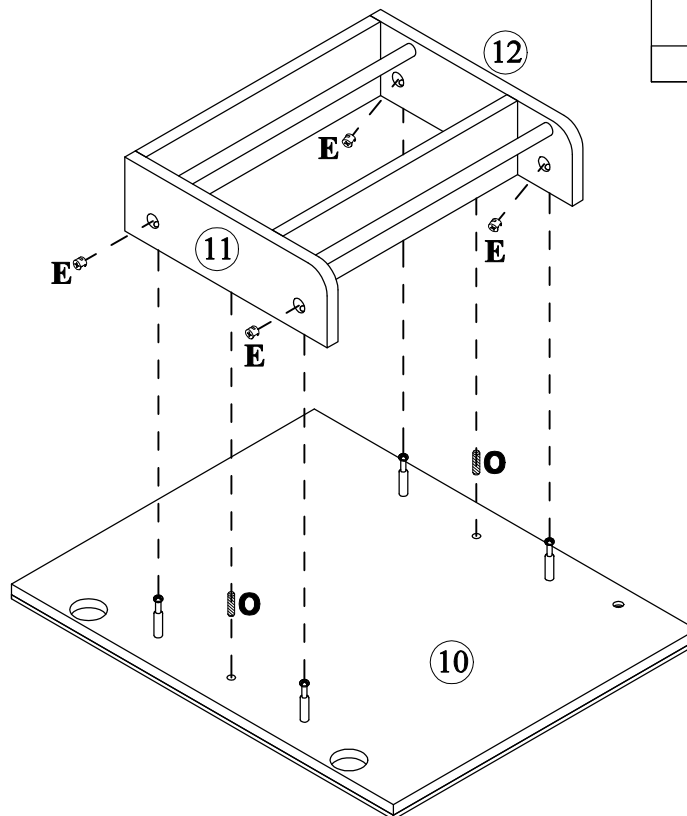
**STEP: 10**

<b>E</b>		<b>O</b>	
<b>8PCS</b>		<b>4PCS</b>	





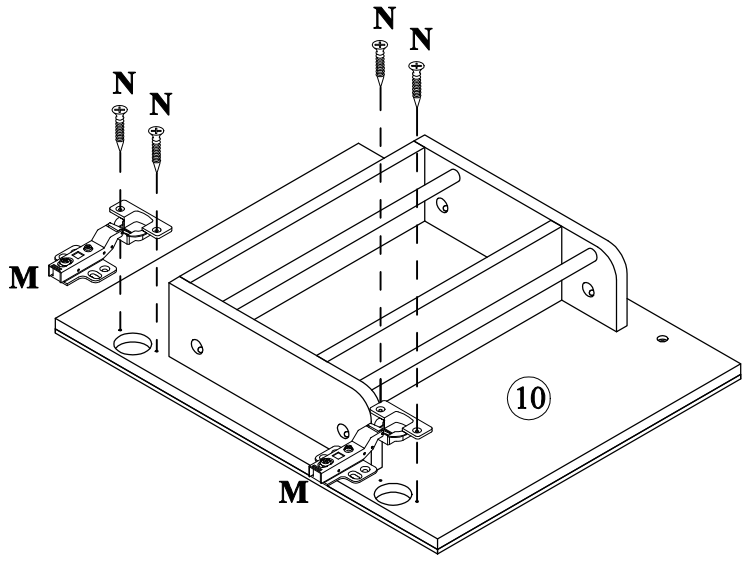
**STEP: 11**

<b>E</b>		<b>O</b>	
<b>4PCS</b>		<b>2PCS</b>	


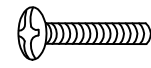
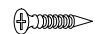


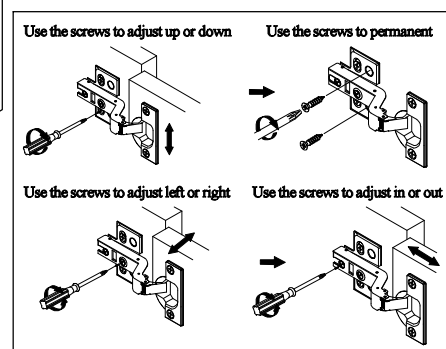
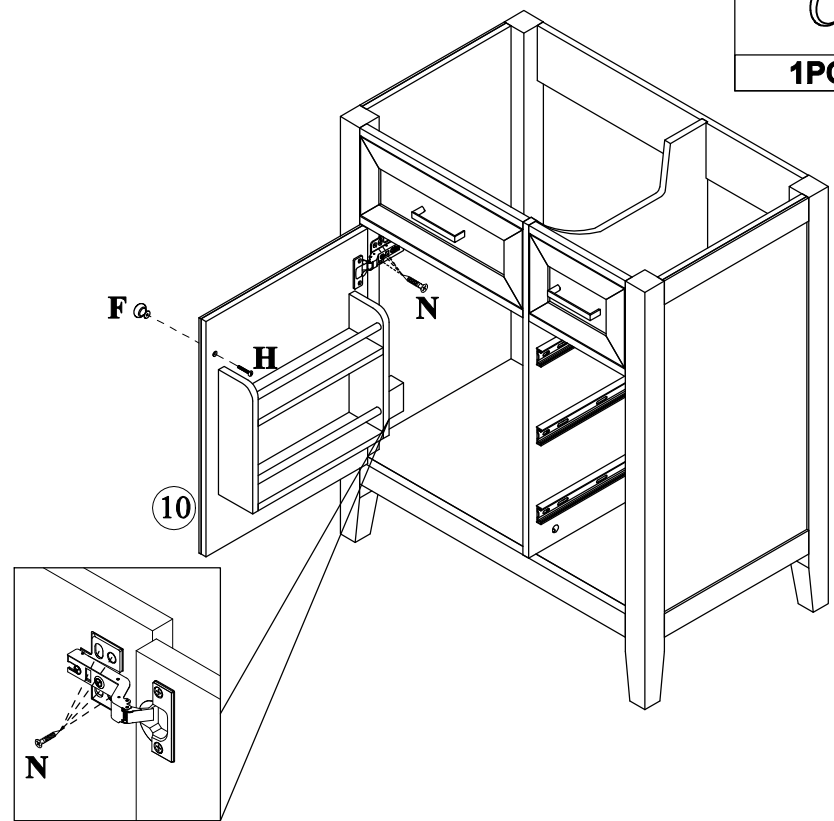
# STEP: 12

<b>M</b>		<b>N</b>	
	<b>2PCS</b>		<b>4PCS</b>

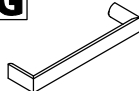
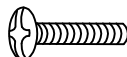



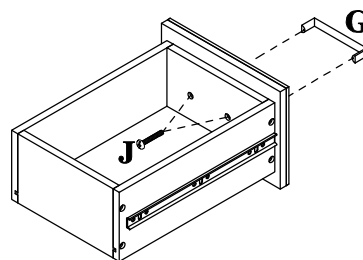
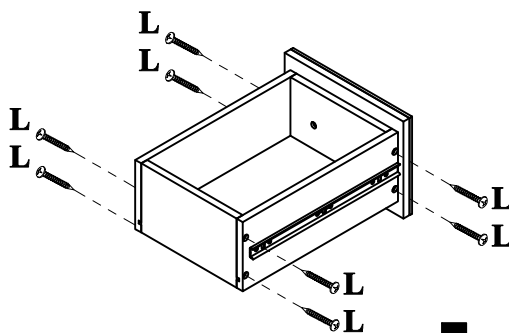
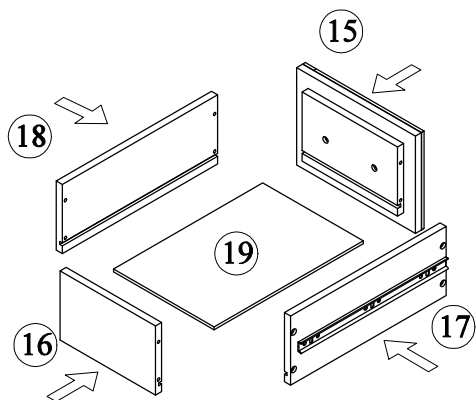
# STEP: 13

<b>F</b>		<b>H</b>		<b>N</b>	
	<b>1PC</b>		<b>1PC</b>		<b>8PCS</b>



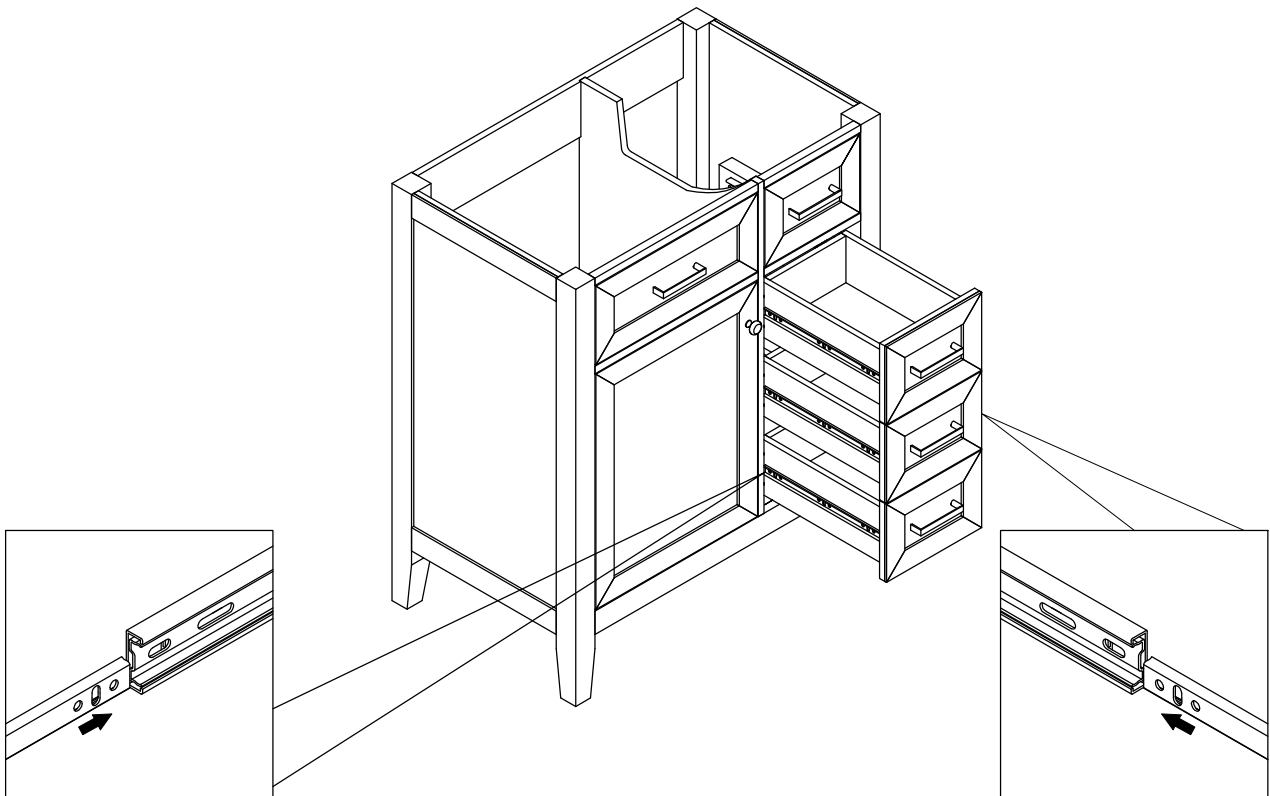
**STEP: 14**

<b>G</b> 	<b>J</b> 	<b>L</b> 
<b>3PCS</b>	<b>6PCS</b>	<b>24PCS</b>

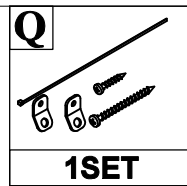
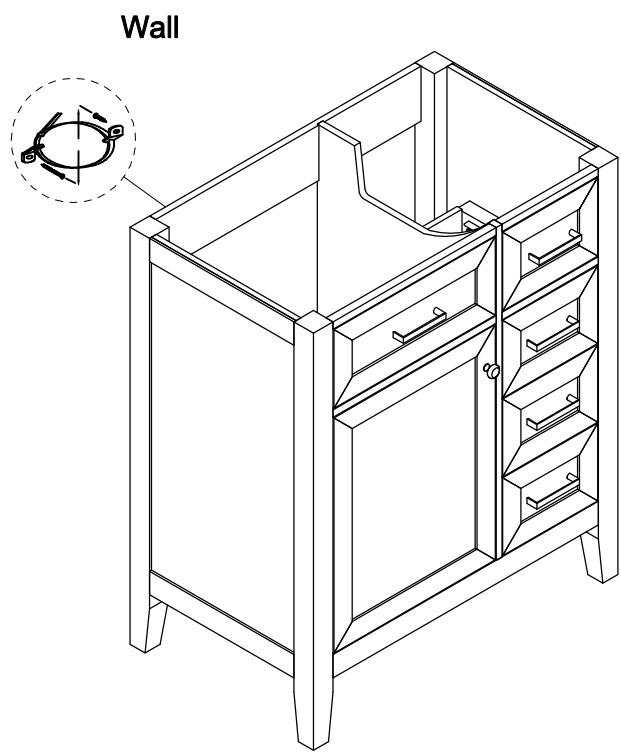


**x3**

**STEP: 15**

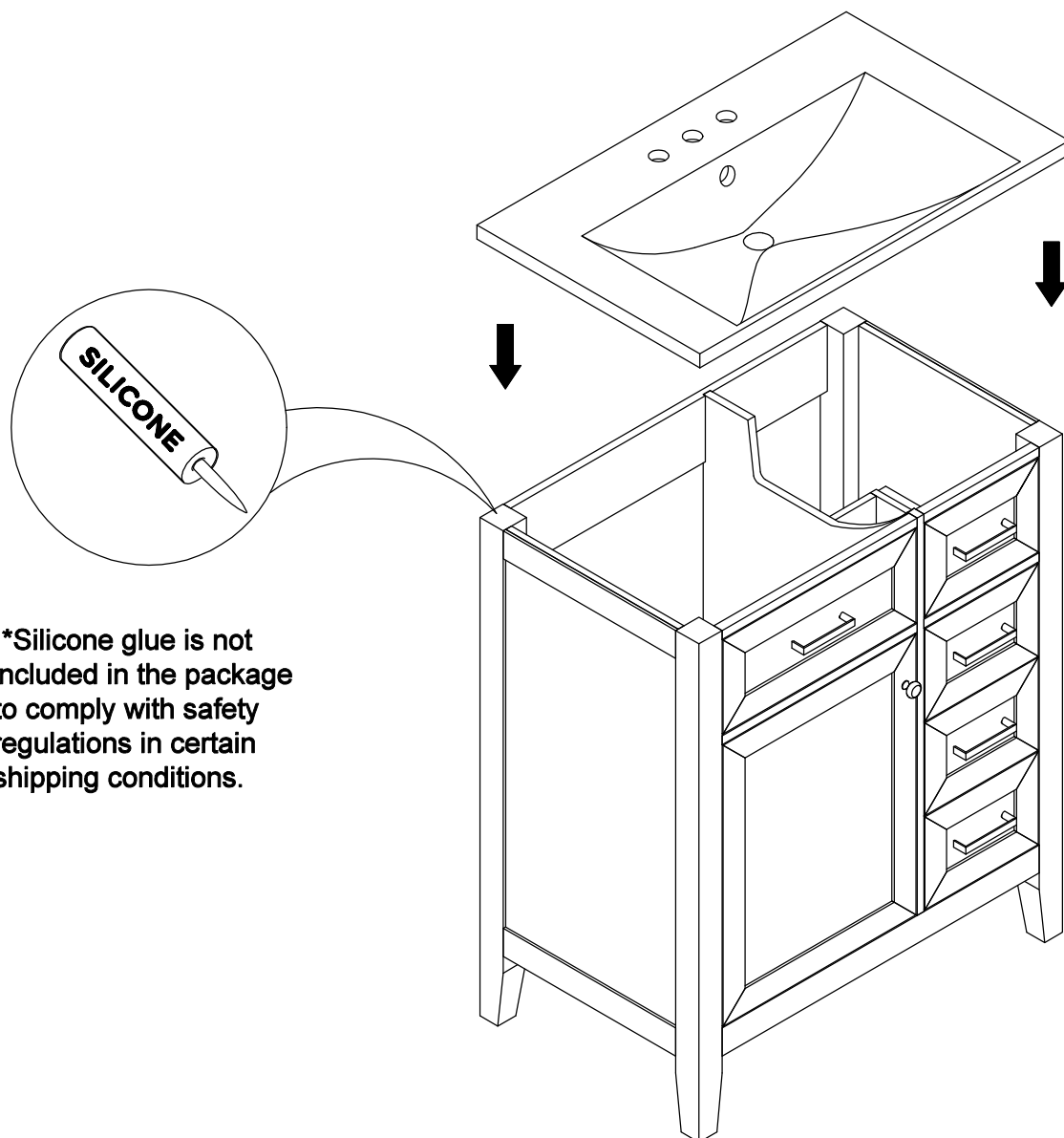


**STEP: 16**



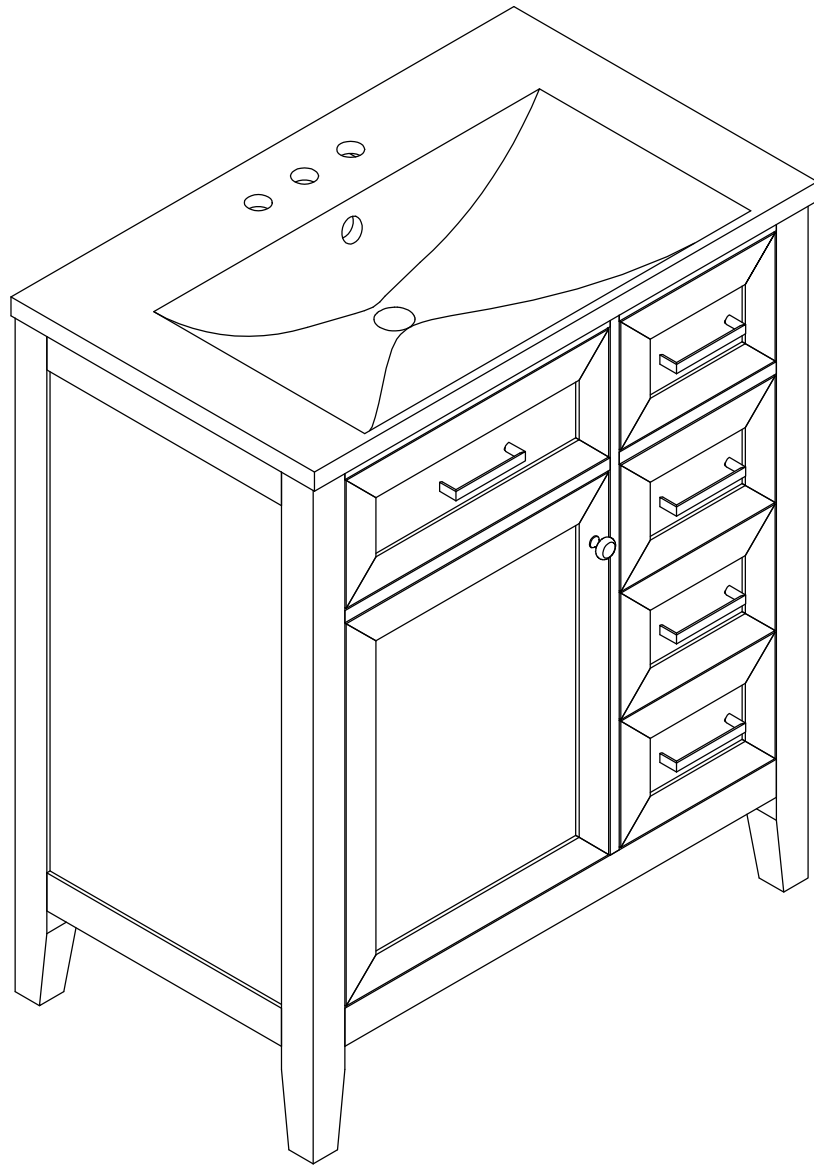
## **STEP: 17**

**Install the sink on the cabinet with glue.  
Let stand for 24 hours**



**\*Silicone glue is not included in the package to comply with safety regulations in certain shipping conditions.**

**STEP: 18**



# HINGE ADJUSTMENTS



## 1 Sideways / Tilt adjustment

Turn the screw  
**clockwise** to move the door further away from  
the side of the cabinet  
**anticlockwise** to move the door closer to the  
side of the cabinet



## 2 4 Height adjustment

While supporting the weight of the door, turn the  
screws  
**clockwise** to move the door up  
**anticlockwise** to move the door down



## 3 Forward and back adjustment

If the gap between the back of the door and the  
cabinet is too small, and the door may not close  
fully. Turn the screw  
**clockwise** to decrease the gap between the  
door and the cabinet  
**anticlockwise** to increase the gap between the  
door and the cabinet

