

NOTE:

This brochure contains IMPORTANT safety info. Please read and keep for future reference.

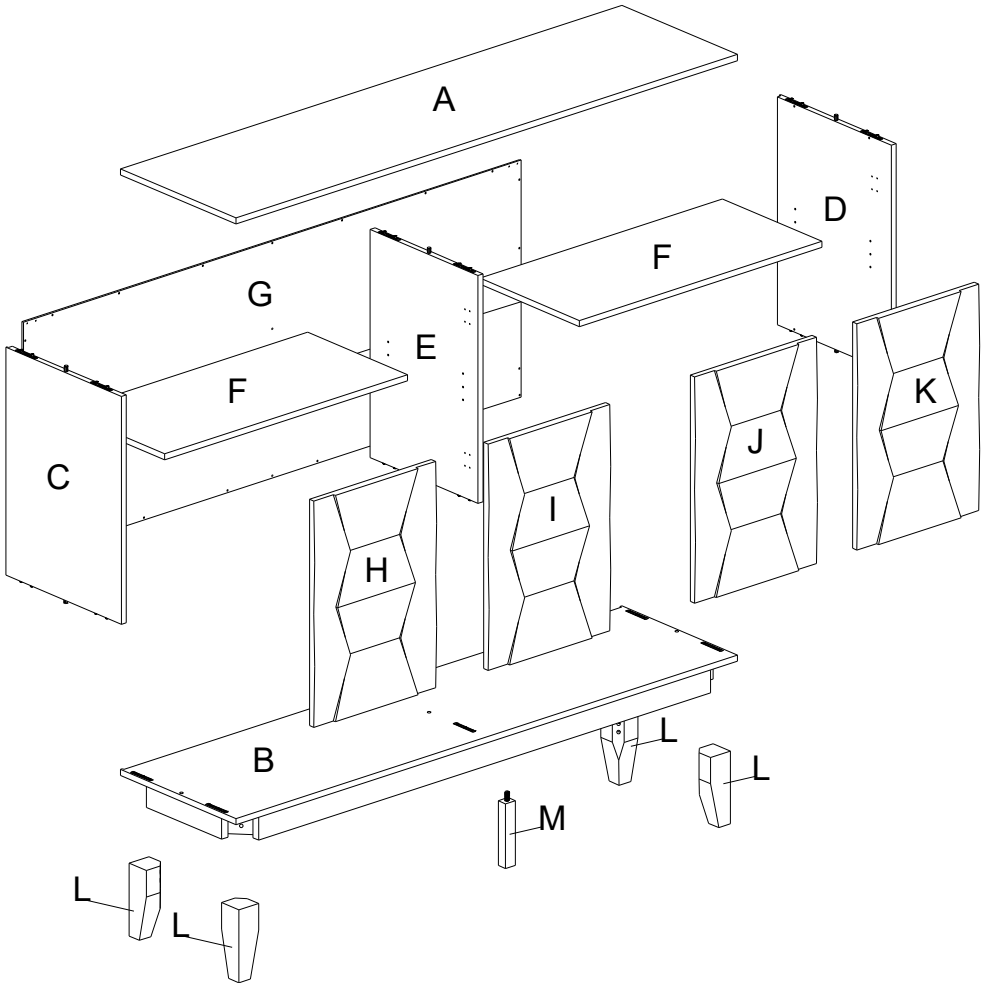
MAINTAINANCE AND WARNING

- 1.Keep furniture away from heat sources.
- 2.Do not clean furniture with harsh cleaner or polishes.Do not use detergents,solvents,abrasives,spray packs or leather cleaner. Use non-color mild soa with warm water to clean spills(Mix 1:10 soap to water).
- 3.Do not place furniture under direct sunlight,material will possibly fade over time.
- 4.Do not use on site dry cleaning machine.Children should not climb or jump on the furniture.
- 5.Do not write on furniture that is not protectedby a padded barrier.
- 6.Not for commercial use,only for residential use.



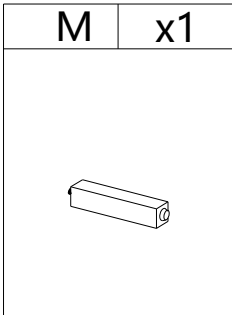
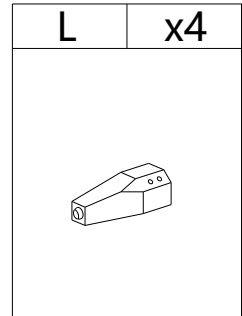
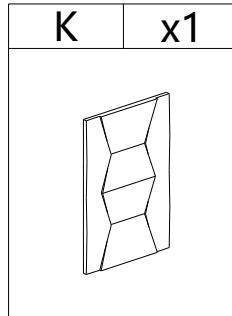
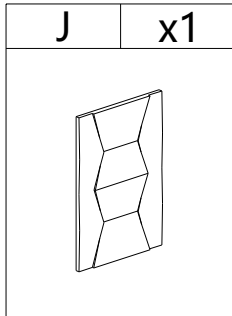
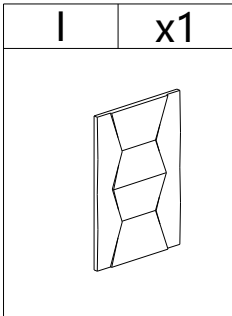
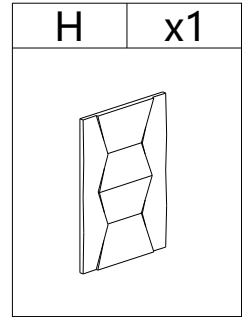
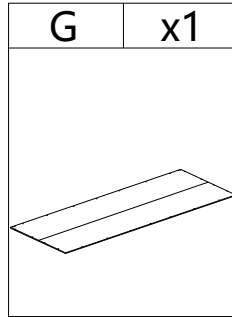
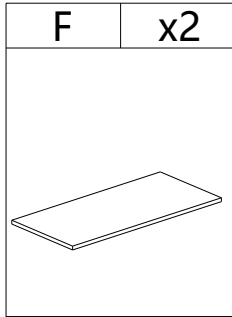
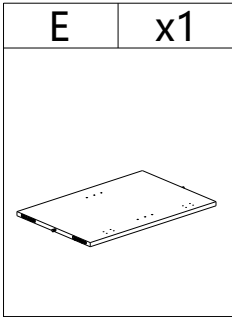
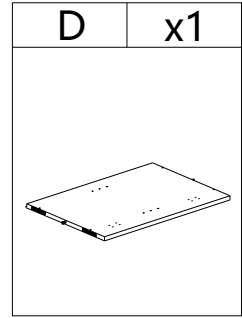
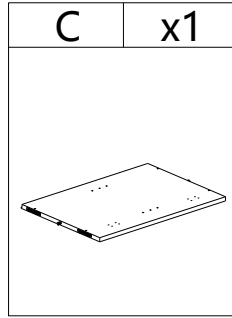
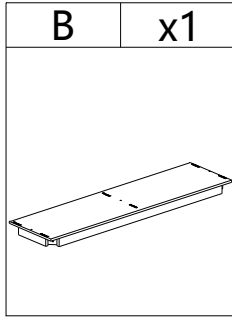
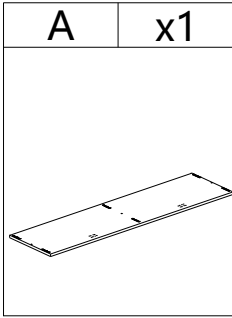
Weight Limitation
100 LBS

EXPLOSIVE VIEW





OVERVIEW



PARTS LIST









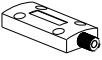





HARDWARE LIST

#1	x52	#2	x26
			
ø3.5*14mm*7#		ø3*15mm*7#	


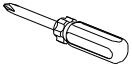
HARDWARE SPARE LIST

#1	x1	#2	x1
			

HARDWARE LIST

#3	x16	#4	x8	#5	x8	#6	x8	#7	x4	#8	x4
											
Ø3.5*19mm*7#		Ø1/4*1-3/4"									
#9	x4	#10	x8	#11	x4	#12	x4	#13	x4	#14	x2
											
						Ø3*35mm*7#					

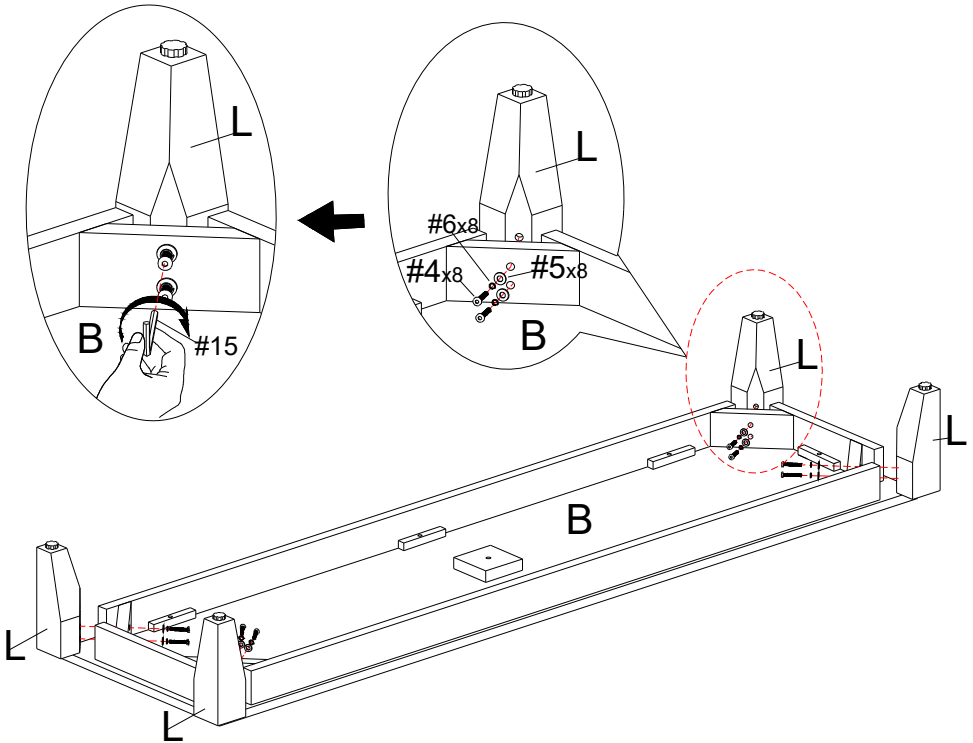
TOOL LIST




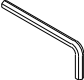
#15	x1	#16	x1
			

ASSEMBLY INSTRUCTIONS

STEP-1

Use bolt #4、spring washer #6 and plat washer #5 to attach leg (L) to the corresponding hole of part (B) as picture show, tighten bolt #4 with allen key #15.

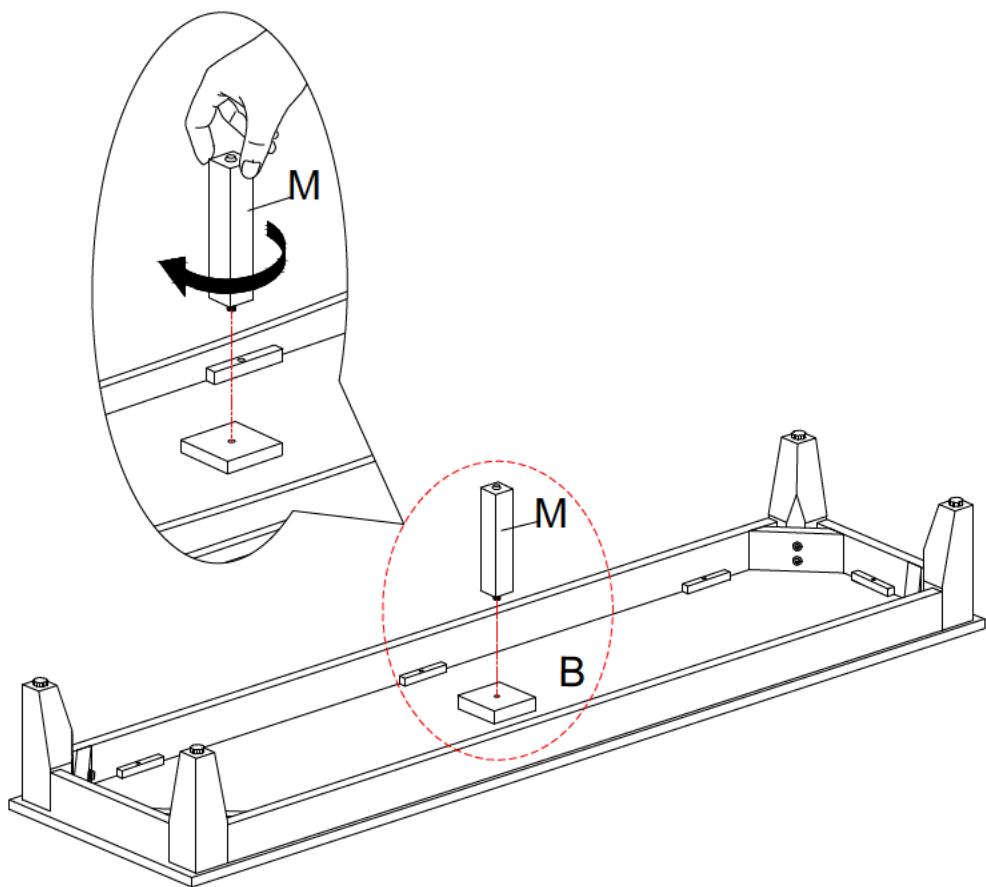


#4	x8	#5	x8	#6	x8	#15	x1
							
φ1/4*1-3/4"							

ASSEMBLY INSTRUCTIONS

STEP-2

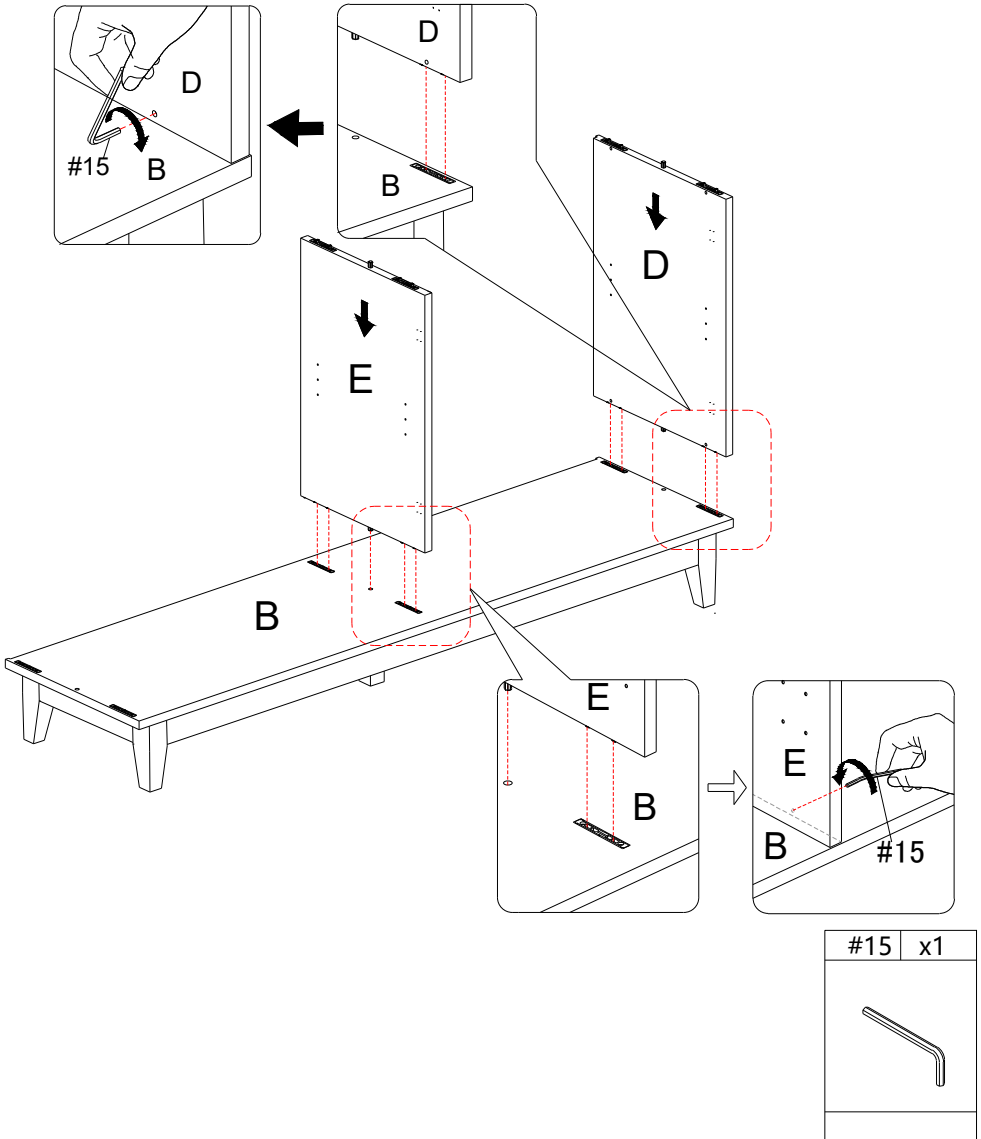
Screw leg (M) into the corresponding hole of part (B) with hand.



ASSEMBLY INSTRUCTIONS

STEP-3

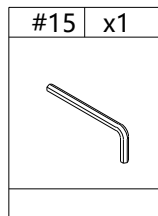
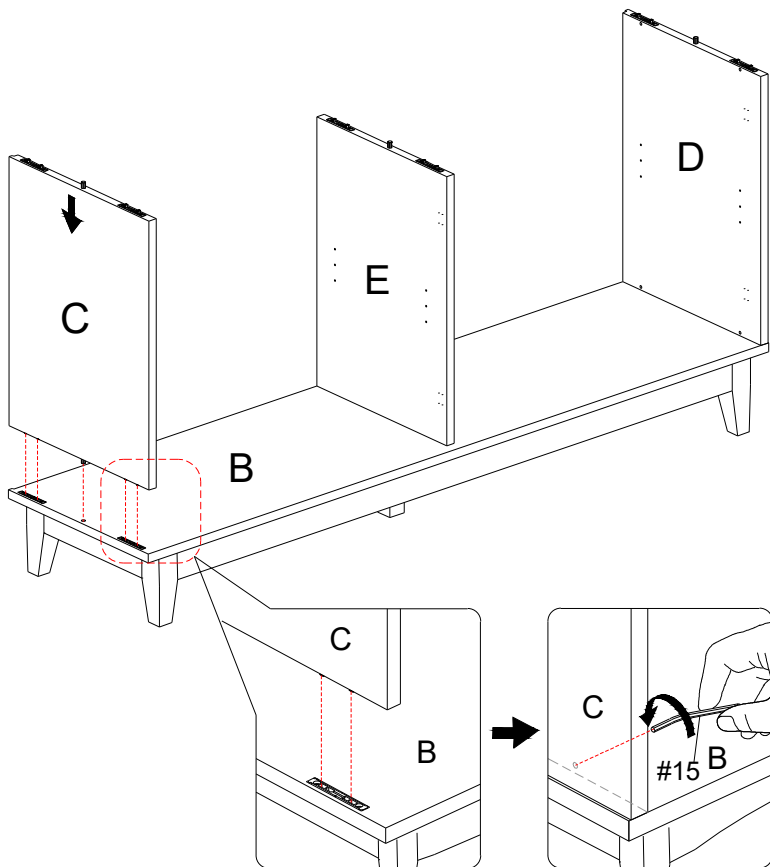
Insert panel (E)&(D) into the corresponding hole of part (B) , make sure all holes aligned and use allen key #15 to tighten it as picture show.



ASSEMBLY INSTRUCTIONS

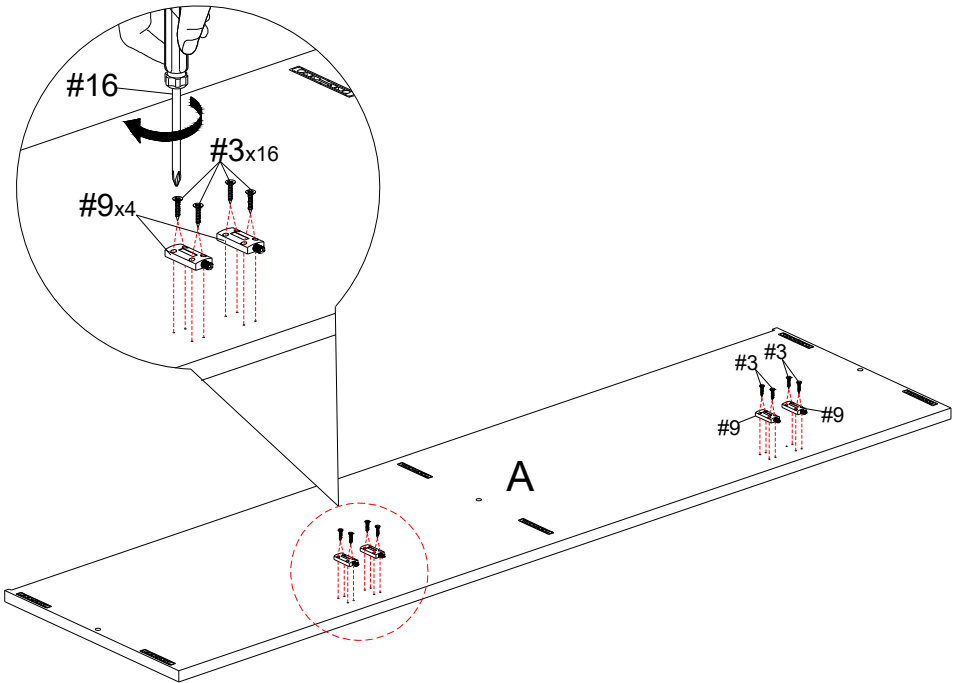
STEP-4

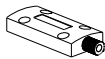

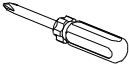
Insert panel (C) into the corresponding hole of part (B), make sure all holes aligned and use allen key #15 to tighten it as picture show.



ASSEMBLY INSTRUCTIONS

Use screw #3 to attach part #9 to the corresponding hole of top panel (A), make sure all holes aligned and tighten screw #3 with screwdriver #16.

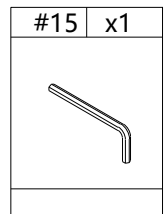
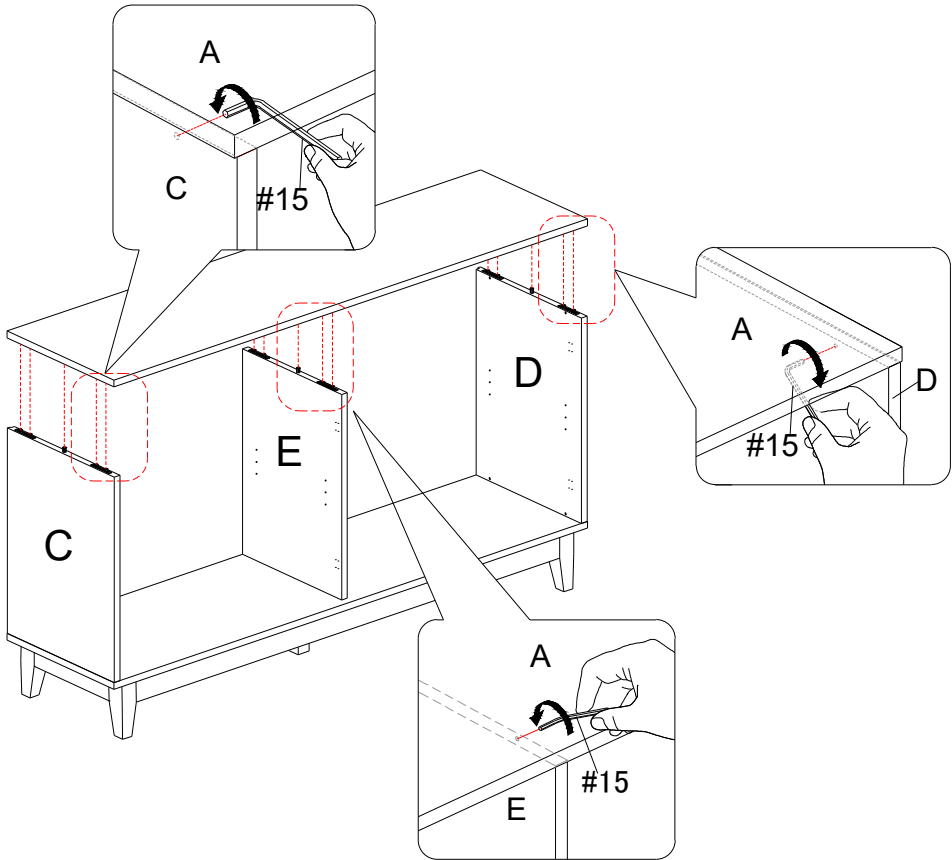


#9	x4	#3	x16	#16	x1
					
		ø3.5*19mm*7#			

ASSEMBLY INSTRUCTIONS

STEP-6

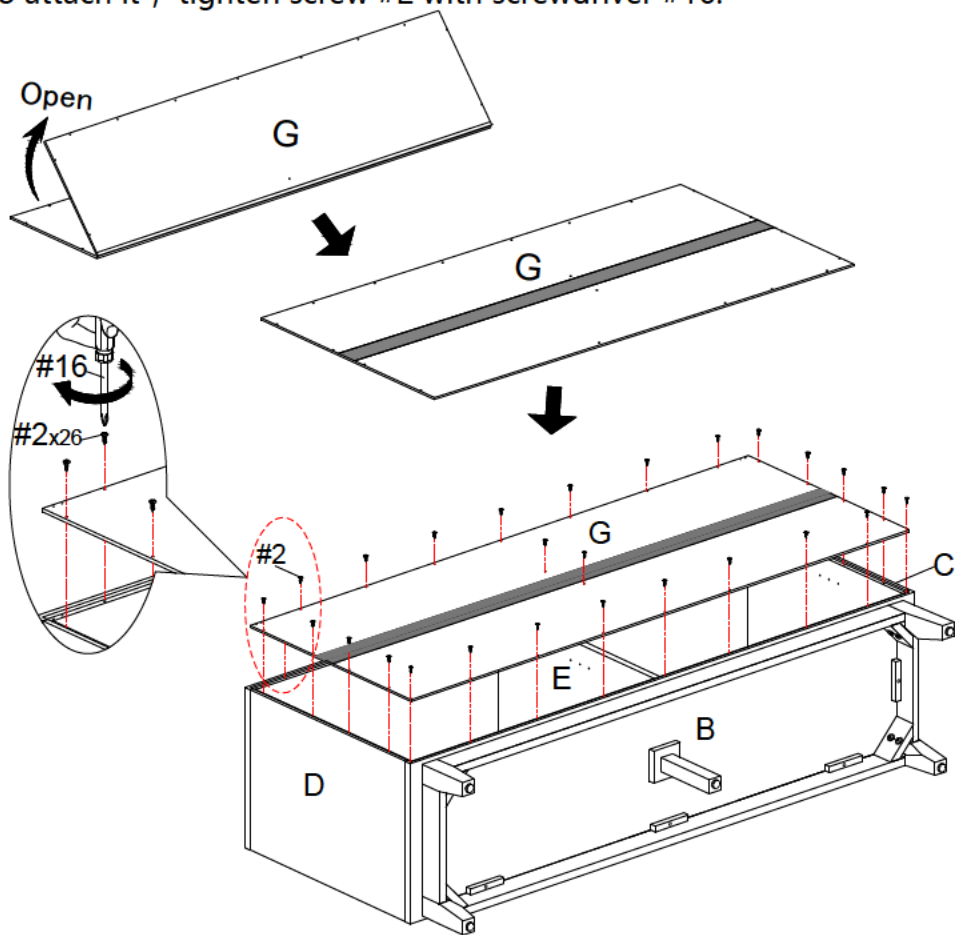
Insert top panel (A) into the preassemble unit at step 4, make sure all holes aligned and use allen key #15 to tighten it as picture show.


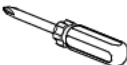


ASSEMBLY INSTRUCTIONS

STEP-7

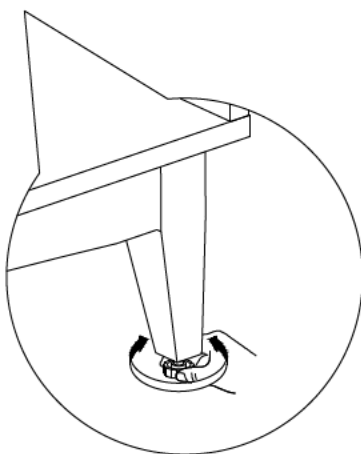
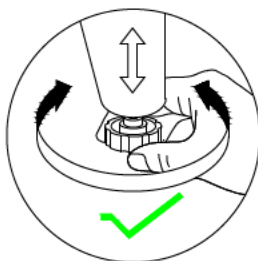
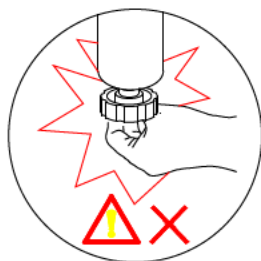
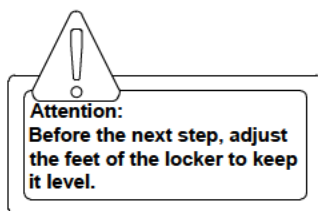
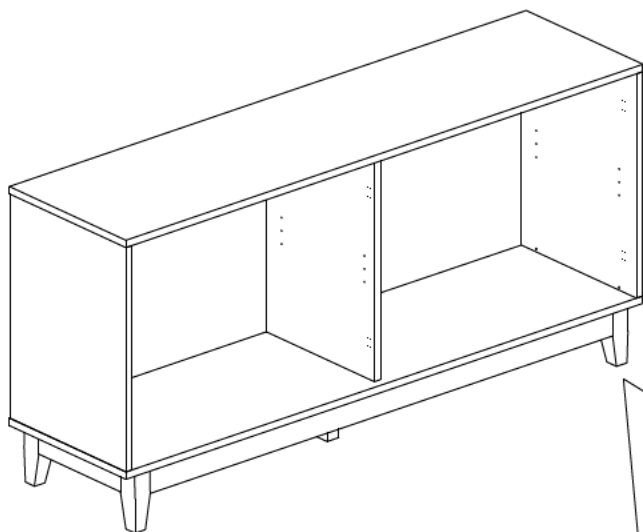
Open the panel (G), insert panel (G) into the groove of preassemble step 6, make sure all holes aligned and use screw #2 to attach it, tighten screw #2 with screwdriver #16.



#2	x26	#16	x1
			
ø3*15mm*7#			

ASSEMBLY INSTRUCTIONS

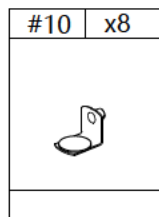
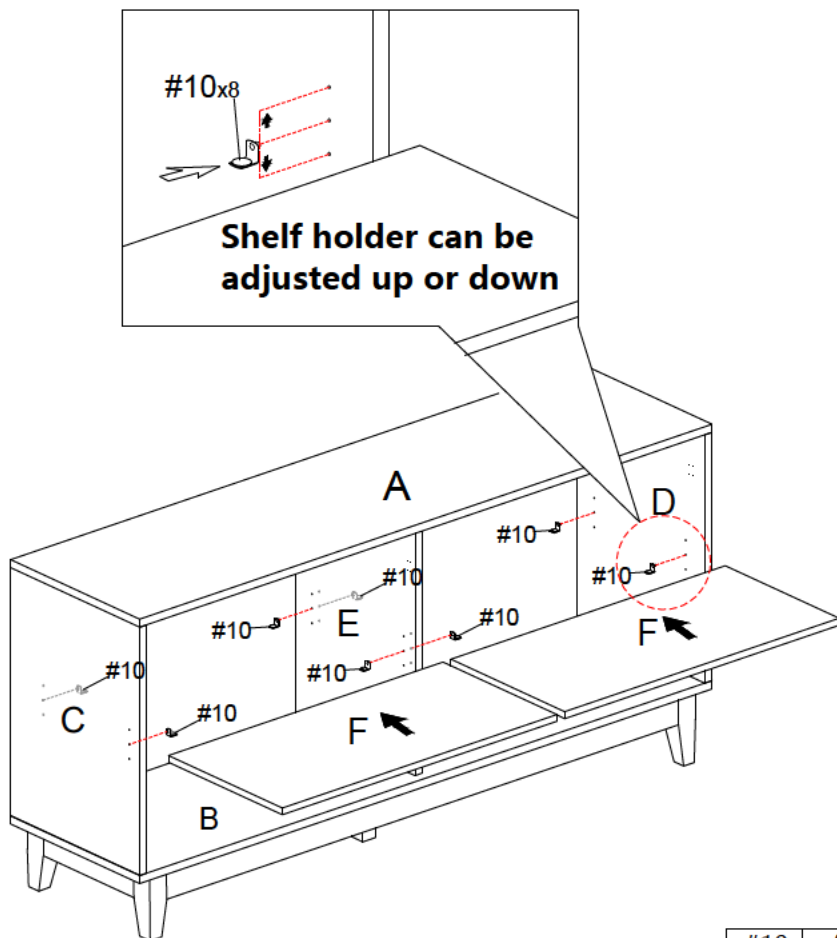
STEP-8



ASSEMBLY INSTRUCTIONS

STEP-9

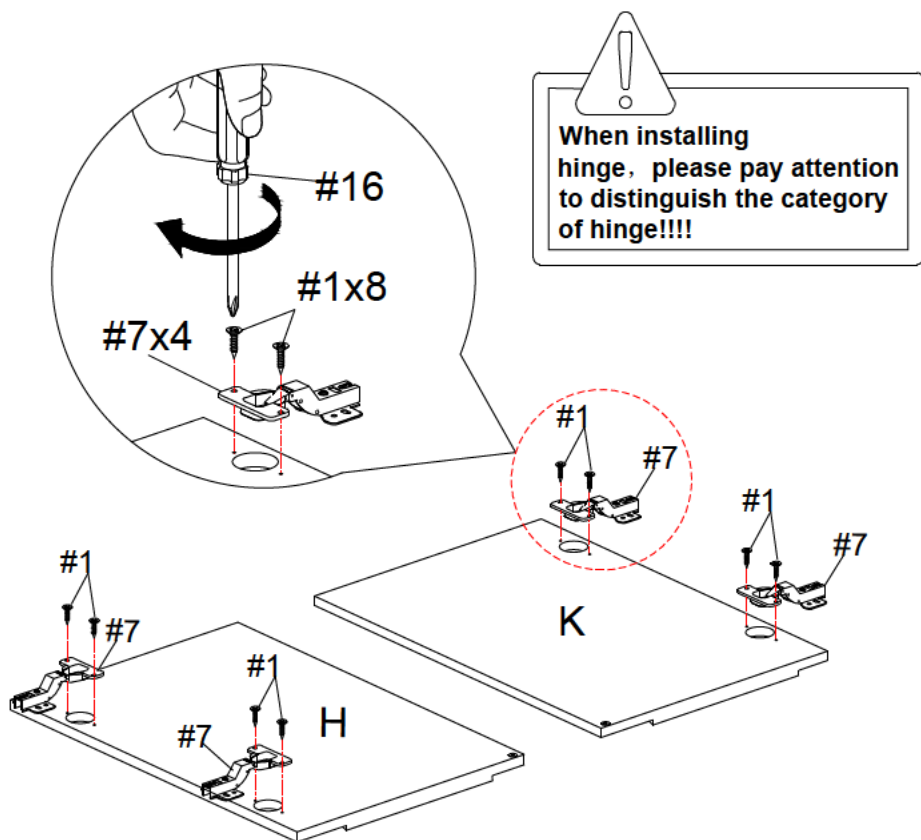
Insert shelf holder #10 into the corresponding hole of panel (C)&(E)&(D), make sure shelf holders #10 are level, and then attach panel (F) to it.



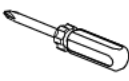


ASSEMBLY INSTRUCTIONS

STEP-10

Use screw #1 to attach hinge #7 to doors (H)&(K), make sure all holes aligned and tighten screw #1 with screwdriver #16.

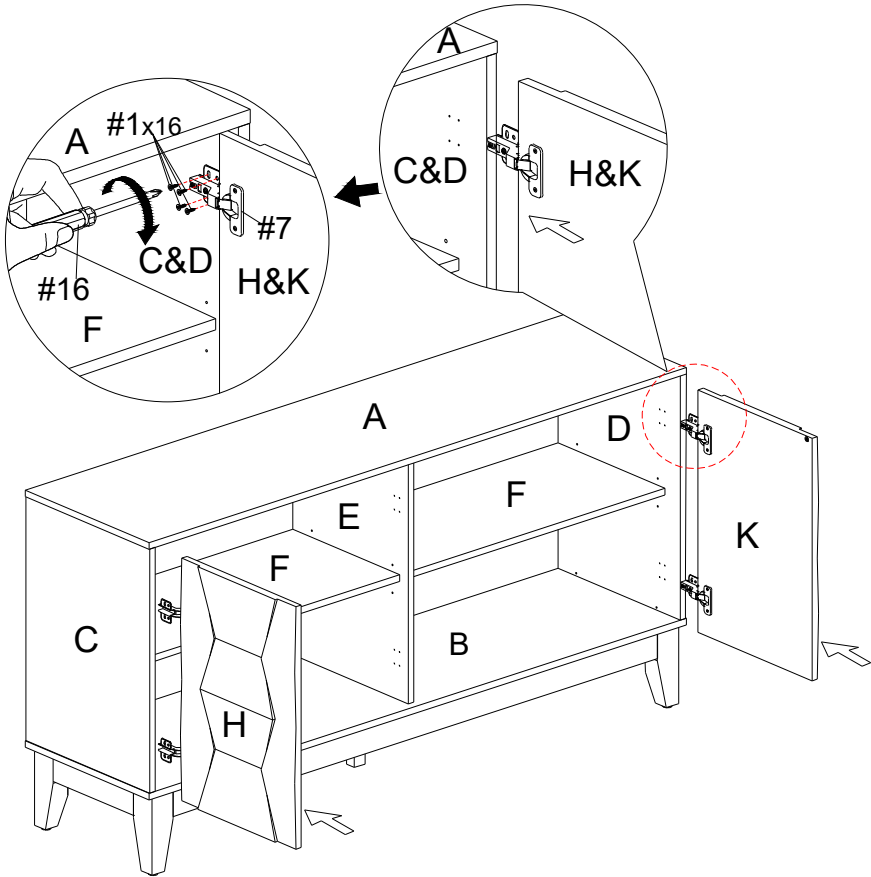



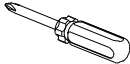
#7	x4	#1	x8	#16	x1
					
		ø3.5*14mm*7#			

ASSEMBLY INSTRUCTIONS

STEP-11

Align the corresponding hole of preassembled doors (H)&(K) with the corresponding hole of side panel (C)&(D), and then use screw #1 to attach hinge #7 to side panel (C)&(D), tighten screw #1 with screwdriver #16.

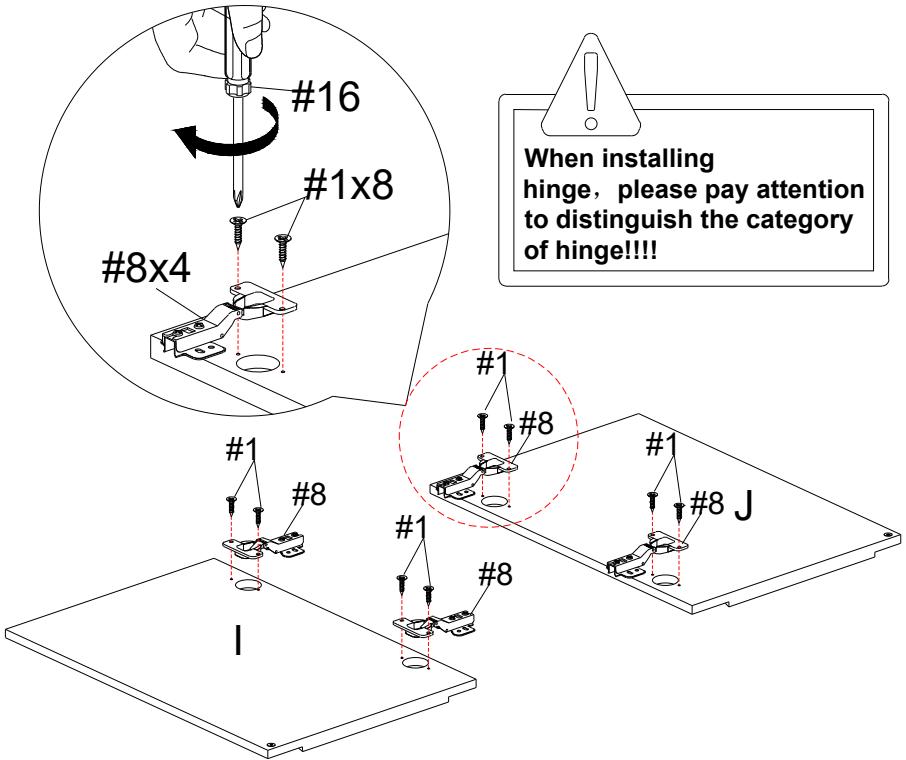


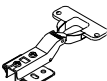

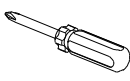
#1	x16	#16	x1
			
ø3.5*14mm*7#			

ASSEMBLY INSTRUCTIONS

STEP-12

Use screw #1 to attach hinge #8 to doors (I)&(J), make sure all holes aligned and tighten screw #1 with screwdriver #16.

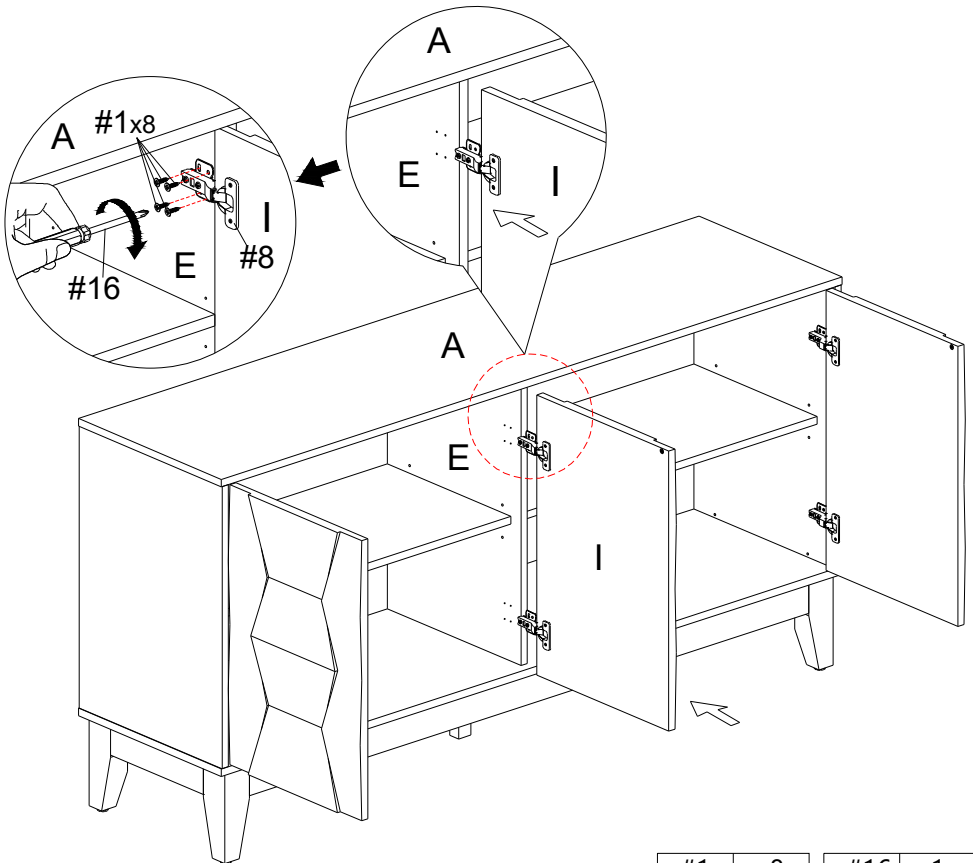



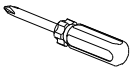
#8	x4	#1	x8	#16	x1
					
		ø3.5*14mm*7#			

ASSEMBLY INSTRUCTIONS

STEP-13

Align the corresponding hole of preassembled door (I) with the corresponding hole of middle vertical panel (E), and then use screw #1 to attach hinge #8 to middle vertical panel (E), tighten screw #1 with screwdriver #16.

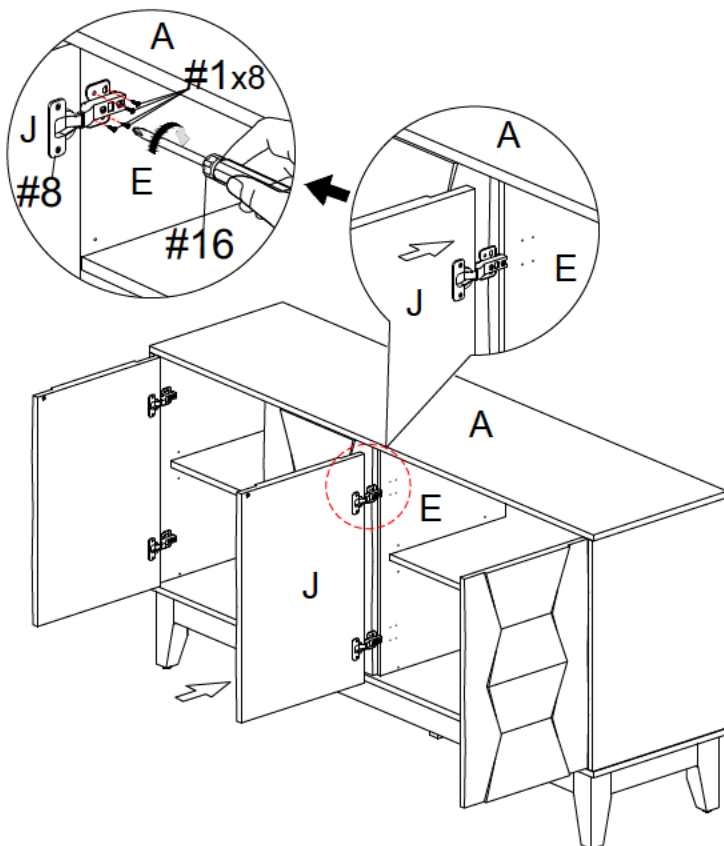



#1	x8	#16	x1
			
ø3.5*14mm*7#			

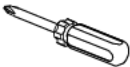
ASSEMBLY INSTRUCTIONS

STEP-14

Align the corresponding hole of preassembled door (J) with the corresponding hole of middle vertical panel (E), and then use screw #1 to attach hinge #8 to middle vertical panel (E), tighten screw #1 with screwdriver #16.



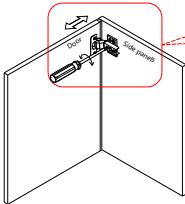
#1	x8
	
ø3.5*14mm*7#	

#16	x1
	

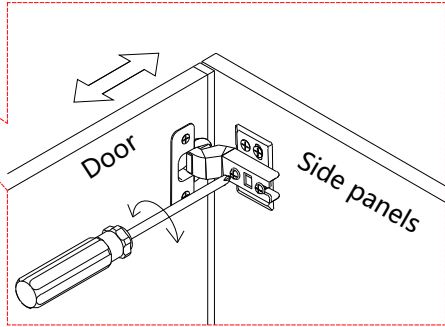
ASSEMBLY INSTRUCTIONS

STEP-15

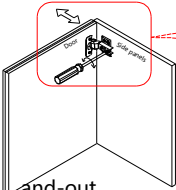
Concealed hinges are three-way adjustable:



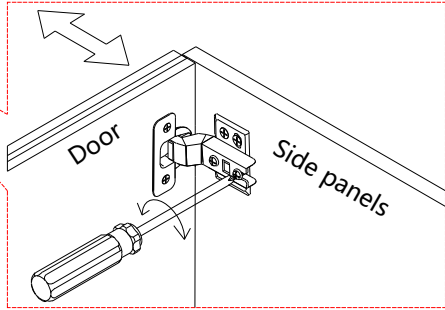
Horizontal
by screw adjustment!



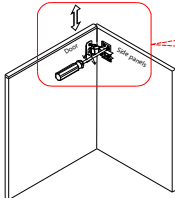
Concealed hinges are three-way adjustable:



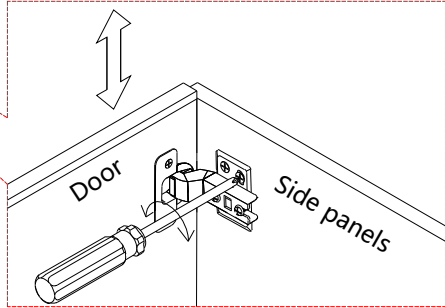
In-and-out
by loosening the hinge arm
mounting screw or via cam
adjustment!



Concealed hinges are three-way adjustable:



Vertical via slots in
the mounting plate
or via cam adjustment!



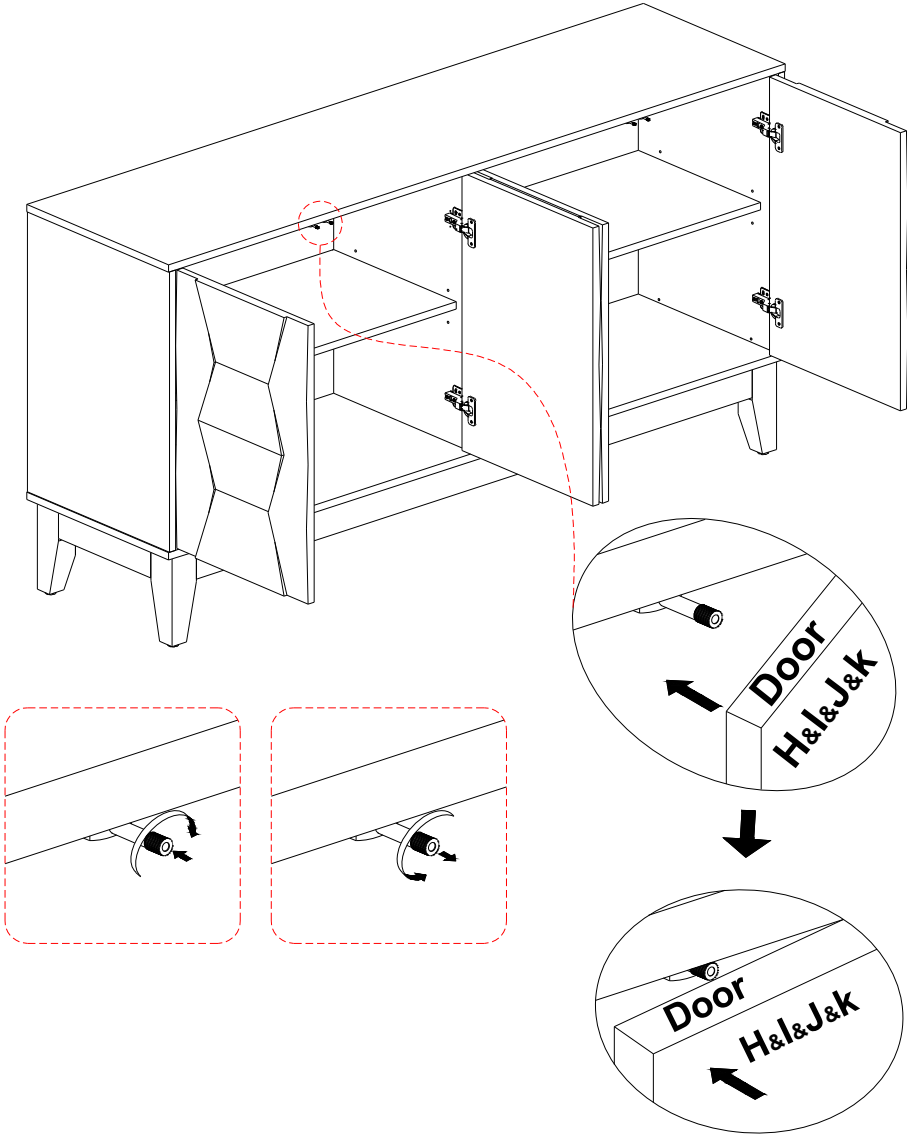
Hinge adjustment method



Video for door adjustment

ASSEMBLY INSTRUCTIONS

STEP-16

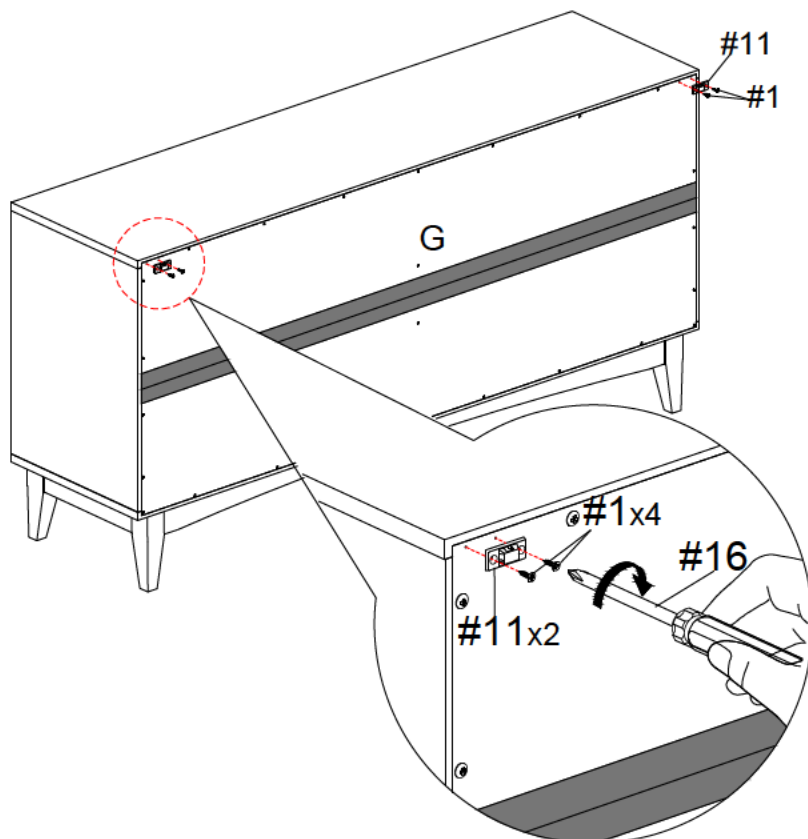




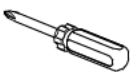
Rebound adjustment method

ASSEMBLY INSTRUCTIONS

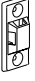


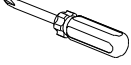
STEP-17

Use screw #1 to attach plastic bracket #11 to back panel (G), make sure all holes aligned and tighten screw #1 with screwdriver #16.



#11	x2	#1	x4	#16	x1
					
		ø3.5*14mm*7#			

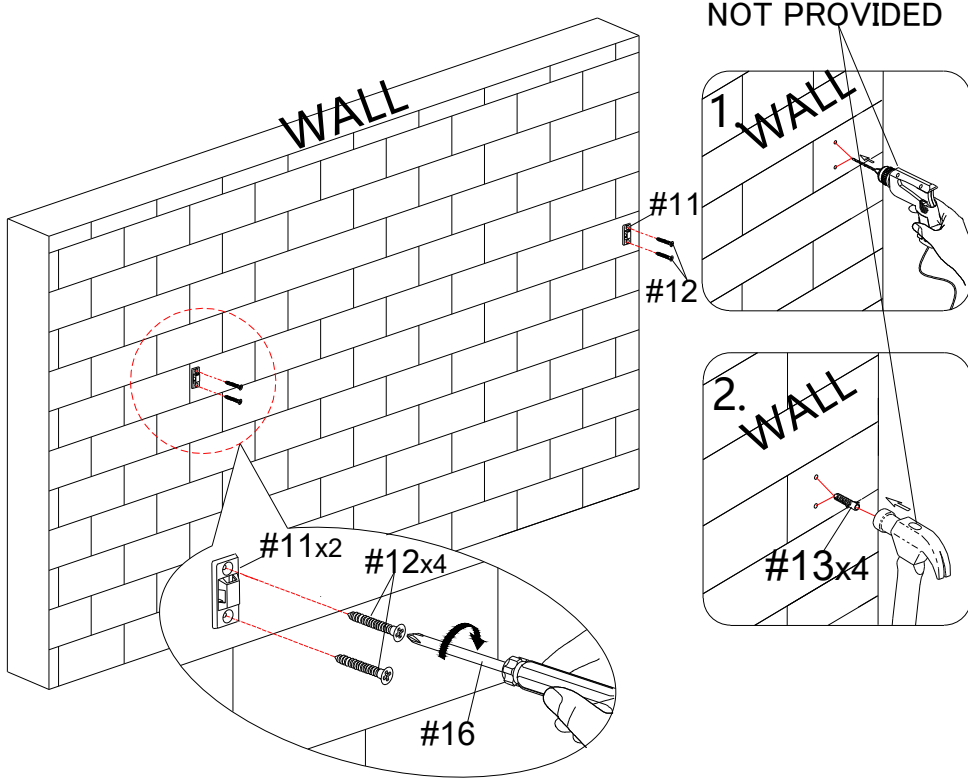
ASSEMBLY INSTRUCTIONS

#11	x2	#12	x4	#13	x4	#16	x1
							
		ø3*35mm*7#					

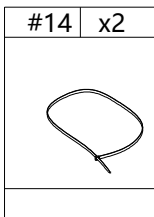
STEP-18

1. Mark the position on the wall, that corresponds to the location of bracket #11 on the back panel G; Drill and insert the expandable screw #13 by hammer.

2. Assemble the bracket #11 to the wall. Align the hole in the bracket #11 with the expandable screw #13, use screw #12 to attach it, tighten screw #12 with screwdriver #16.

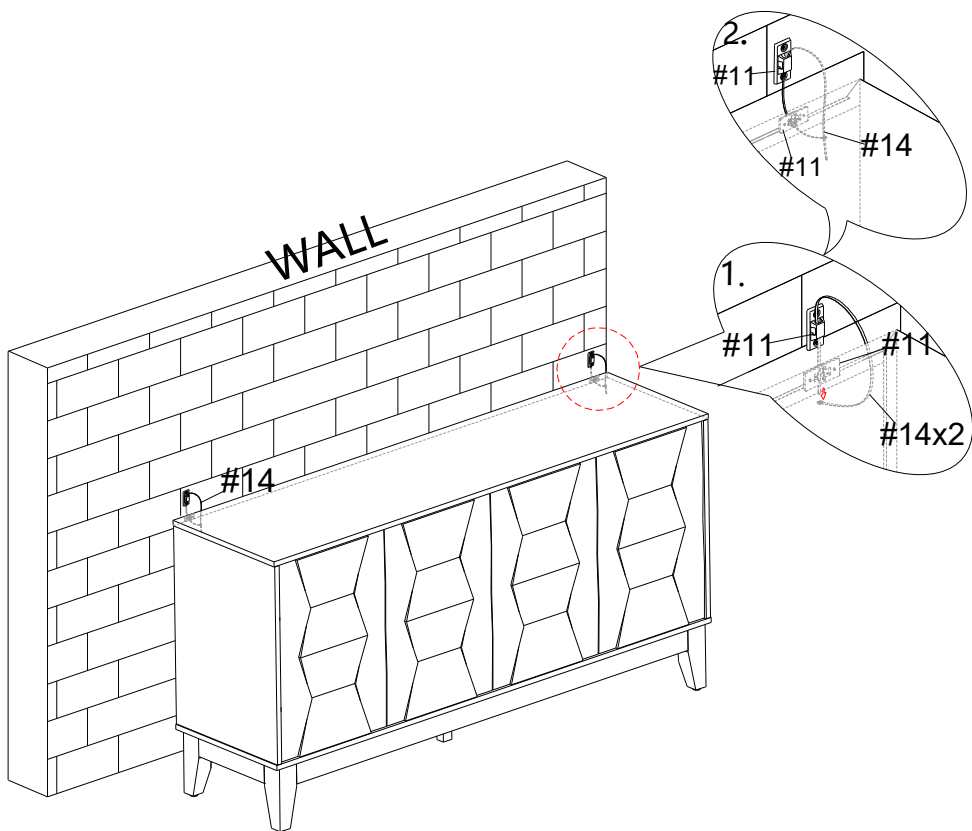


ASSEMBLY INSTRUCTIONS



STEP-19

3. Let the plastic belt #14 pass through bracket #11 and pull tightly.



WARRANTY

1. We strive to offer high-quality products, and we also try our best to satisfy each and every customer that orders from us with product or service as needed.
2. We provide 30 days warranty starting from the time you receive the item. Each customer must provide a record of their order such as the order number, or item receipt for any items that are out of the warranty period you may also still receive.
3. Replacement parts by purchasing them with our company if they are available.