

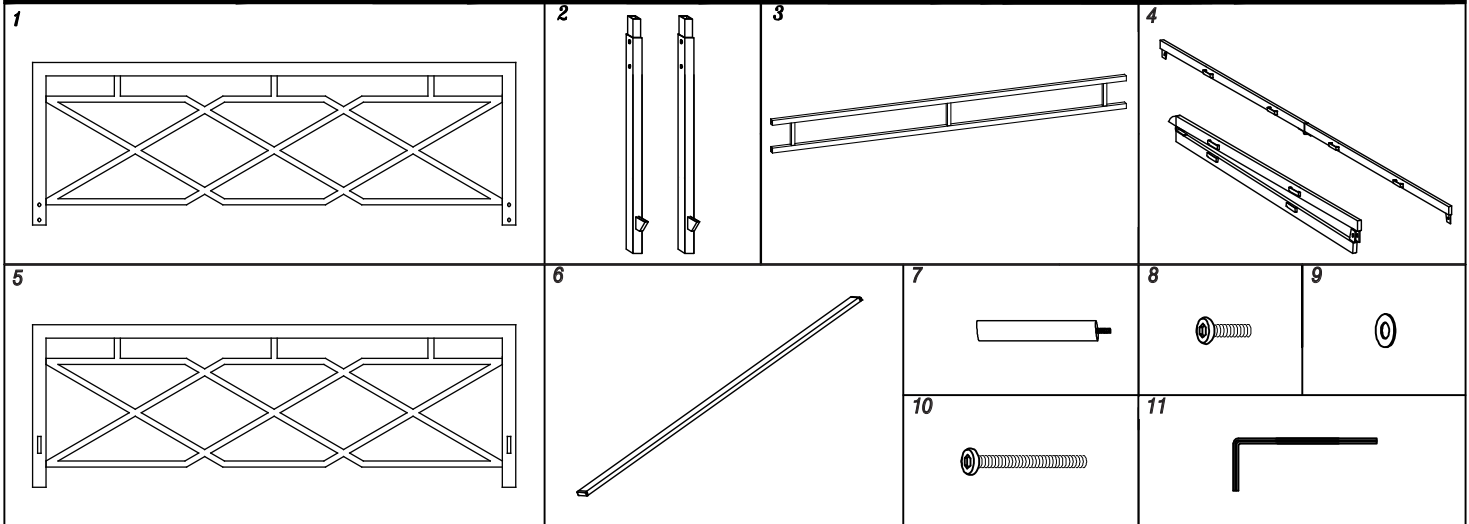
Parts List For Alpine Snap Bed

BED CARTON

- (1) HEADBOARD PANEL-1
- (2) EXTENSION LEG-2
- (3) PILLOW BAR-1
- (4) SIDE RAILS-2
- (5) FOOTBOARD PANEL-1
- (6) CROSS RAILS-4
- (7) SUPPORT LEGS-6

HARDWARE BAG

- (8) 1/4-20 X 1/2" FLAT ALLEN HEAD SCREW-4
- (9) 1/4" ID X 5/8" OD FLAT METAL WASHER-4
- (10) 1/4-20 X 2 1/4" FLAT ALLEN HEAD SCREW-4
- (11) 4MM ALLEN WRENCH-1

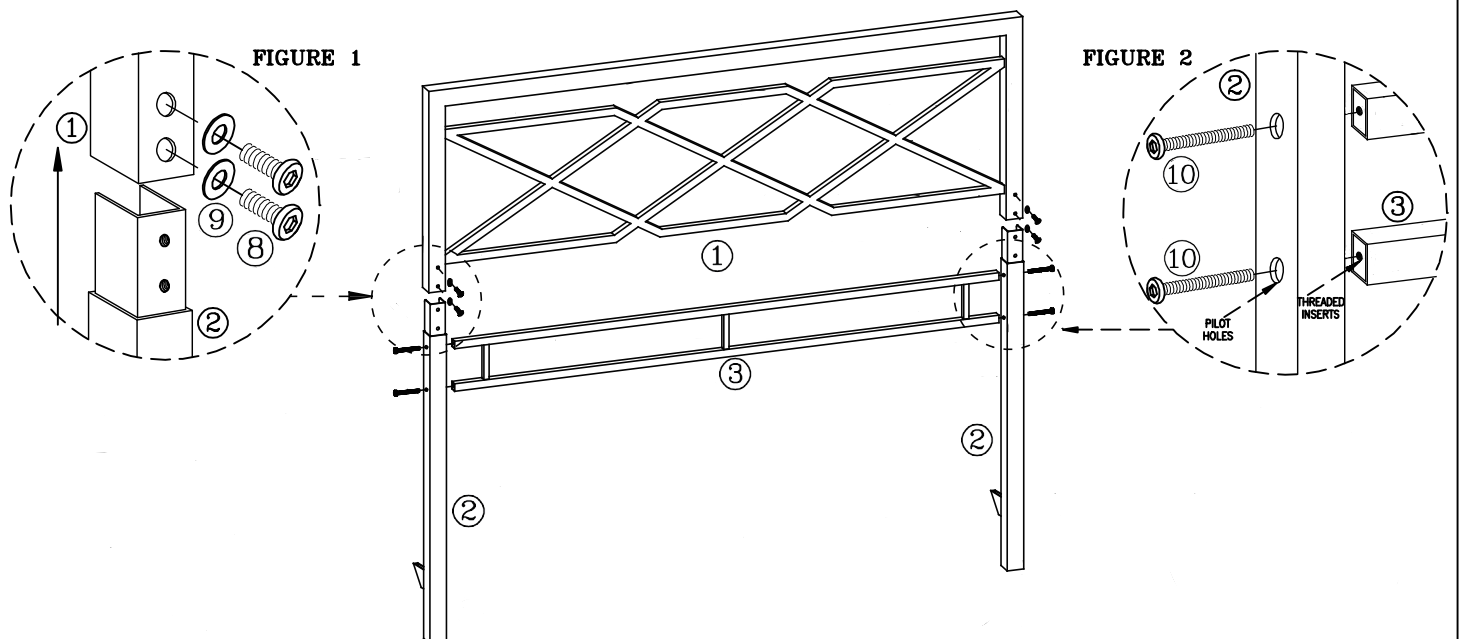


SAVE ALL PACKAGING MATERIALS UNTIL PRODUCT IS FULLY ASSEMBLED. HARDWARE AND SMALL PIECES MAY NOT BE SEEN AND COULD BE ACCIDENTALLY DISCARDED WITH PACKAGING MATERIALS.

Instruction Sheet

Step 1- Assembly of Headboard Panel .

- Align top reduction of extension leg (2) with bottom of headboard panel (1). SEE FIGURE 1
- Now Carefully insert extension Leg (2) into bottom of headboard panel (1).
- Secure extension leg (2) with screw (8) and flat metal washer (9). Use Allen wrench (11).
- Place pillow bar (3) between extension leg (2). SEE FIGURE 2
- Align pilot holes on extension leg (2) with threaded inserts on Pillow bar (3) rails.
- Secure pillow bar (3) with screw (10). Use Allen wrench (11).



Instruction Sheet

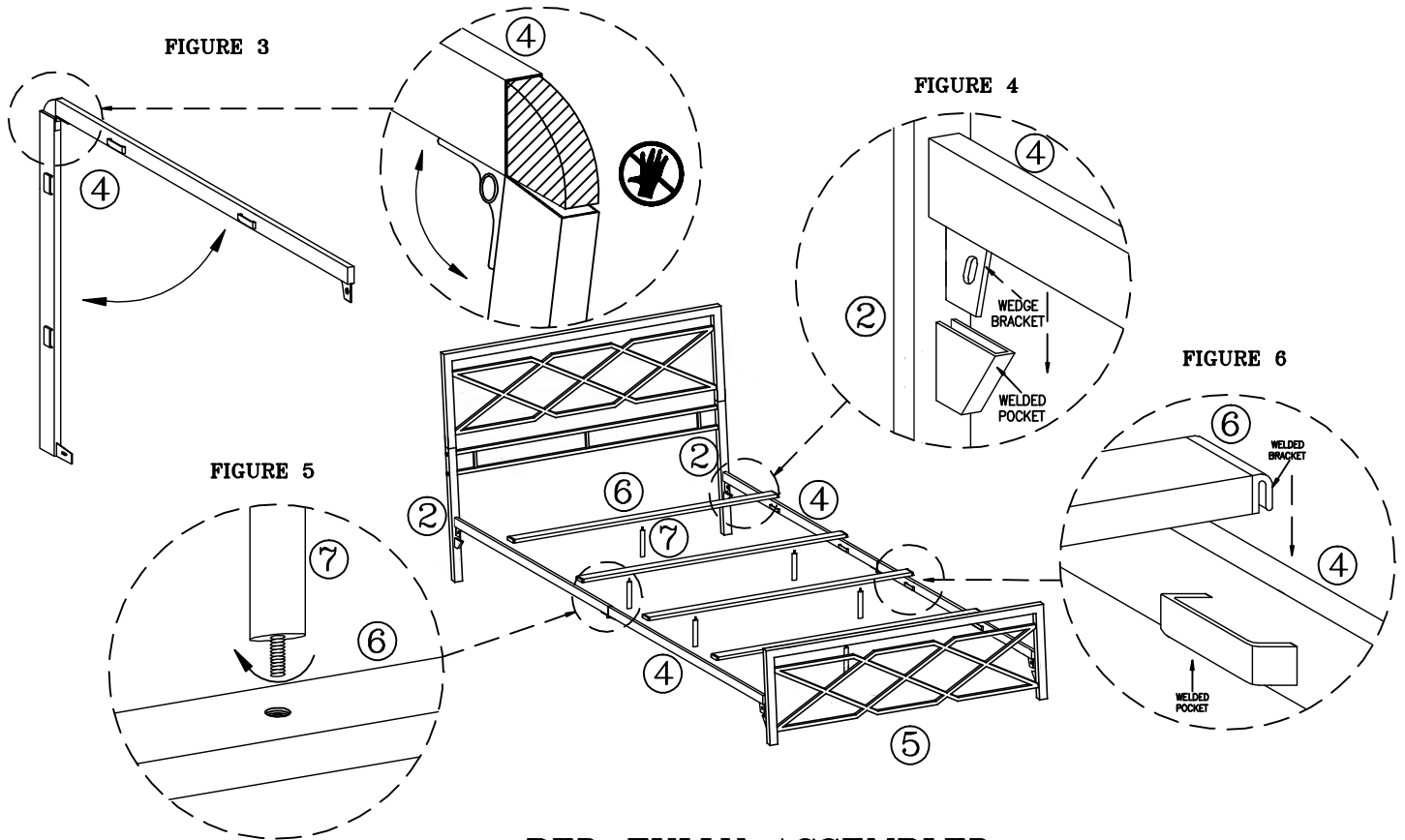
NOTE: TO PREVENT SERIOUS INJURIES DO NOT PLACE HANDS OR FINGER BETWEEN MOVING PARTS.

Step 2- Assembly of Side Rails.

- Place headboard panel on desired location in room.
- Carefully un-fold side rail (4) . SEE FIGURE 3
- Insert wedge bracket of side rail (4) into welded pocket of extension leg (2). SEE FIGURE 4
- Repeat same steps with footboard panel (5).

Step 3- Assembly of Support leg / Cross Rails.

- Secure support leg (7) on cross rail (6). SEE FIGURE 5
- Insert welded bracket on cross rail (6) into welded pocket on side rail (4). SEE FIGURE 6



BED FULLY ASSEMBLED

