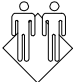




# ASSEMBLY INSTRUCTIONS

## STORAGE

ASSEMBLY REQUIREMENTS	1.5 Hours Assembly Time (Approximate)	2 -Person Assembly 	Tools Required (Not Provided): Phillips Screwdriver  Flat Head Screwdriver 
-----------------------	---	---	---

### Thank you for purchasing our product!

Please refer and use this assembly instruction to assemble the product.  
Contact our customer service department in case there are any missing or damage parts or hardware.  
Replacement parts are normally shipped within 2 or 3 days.

**We appreciate your business!**

**PRODUCTS PURCHASED THROUGH OUR AUTHORIZED VENDORS ONLY ARE ELIGIBLE FOR REPLACEMENT PARTS.**

**THIS PRODUCT IS FOR INDOOR AND HOUSEHOLD USE ONLY - NOT FOR COMMERCIAL USE.**

### ASSEMBLY PREPARATION

1. Remove all packaging materials, staples and packing straps from the carton.
2. Refer to Parts List and Hardware List and ensure they are correct before assembly.  
Contact customer service for missing parts.
3. Place all wooden parts on a clean, flat and soft surface (e.g. carpet or rug) to prevent parts from getting scratched.

### SAFETY PRECAUTION

1. KEEP ALL HARDWARE PARTS OUT OF REACH OF CHILDREN.
2. DISPOSE PLASTIC PACKAGING MATERIAL IMMEDIATELY TO AVOID ANY RISK OF SUFFOCATION TO CHILDREN AND ANIMALS.

### TIPS FOR ASSEMBLY

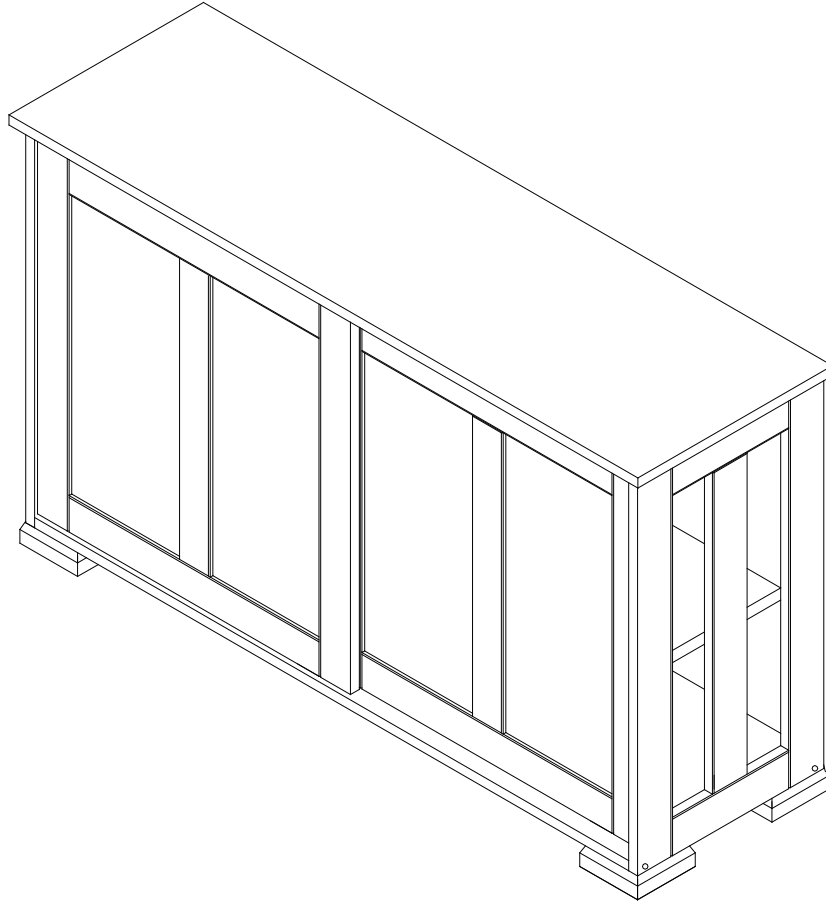
1. Allow ample room for assembly and in close proximity to where product will be placed.
2. Assemble the product on a surface that does not scratch or damage the exterior gloss and finish of the furniture.
3. Identify all of the parts, hardware and quantities required for each step.
4. During assembly, do not over-tighten any fittings as this may cause damage.
5. DO NOT USE POWER TOOLS TO ASSEMBLE THIS PRODUCT.
6. Always place the product on a flat, level surface.
7. Do not sit or stand on the partially assembled product; only use the product for which it is intended.

### CARE AND MAINTENANCE








1. Wipe clean with a soft, dry cloth; avoid the use of harsh chemicals or household cleaners as they may damage the exterior finish of the furniture.
2. Hardware may loosen over time. Periodically, check that all connections are tight; re-tighten as necessary.
3. Solid wood is impacted by heat and humidity fluctuations which may cause small joint separations or hairline cracks; place the furniture away from direct sunlight and air conditioning vents, heating vents or units to protect the furniture.

# ASSEMBLY INSTRUCTIONS

## STORAGE



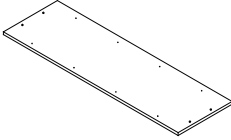
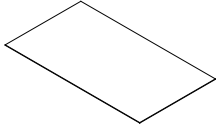
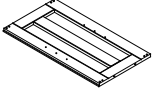
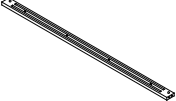
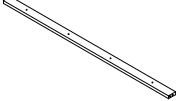


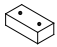
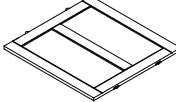
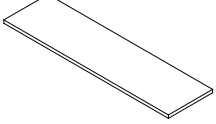
### Hardware List

ITEM	DESCRIPTION	PART	QTY	ITEM	DESCRIPTION	PART	QTY
A	Screw	 6*40mm	8 pcs	E	Screw	 4*25mm	8 pcs
B	Barrel Nut		8 pcs	F	Screw	 4*35mm	10 pcs
C	Screw	 3*10mm	24 pcs	G	Shelf Pin		4 pcs
D	Wooden Dowel	 8*30mm	12 pcs				

# ASSEMBLY INSTRUCTIONS

## STORAGE

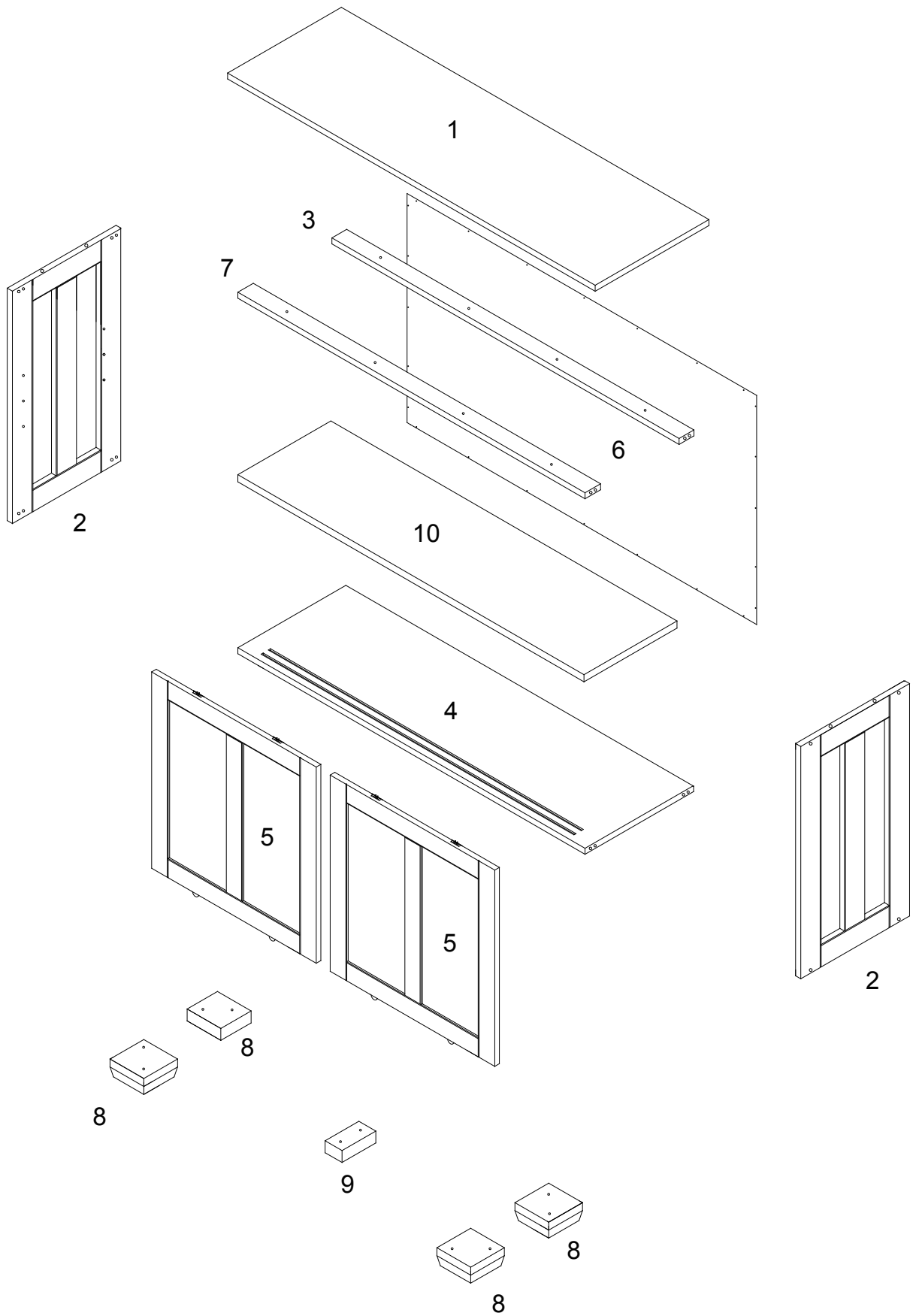
### Parts List

ITEM	DESCRIPTION	PART	QTY	ITEM	DESCRIPTION	PART	QTY
1	Top Panel		1 pc	6	Back Panel		1pc
2	Side Panel		2 pcs	7	Front Rail		1pc
3	Back Rail		1 pc	8	Big Leg		4 pcs
4	Bottom Panel		1 pc	9	Small Leg		1pc
5	Sliding Door		2 pcs	10	Adjustable Shelf		1pc

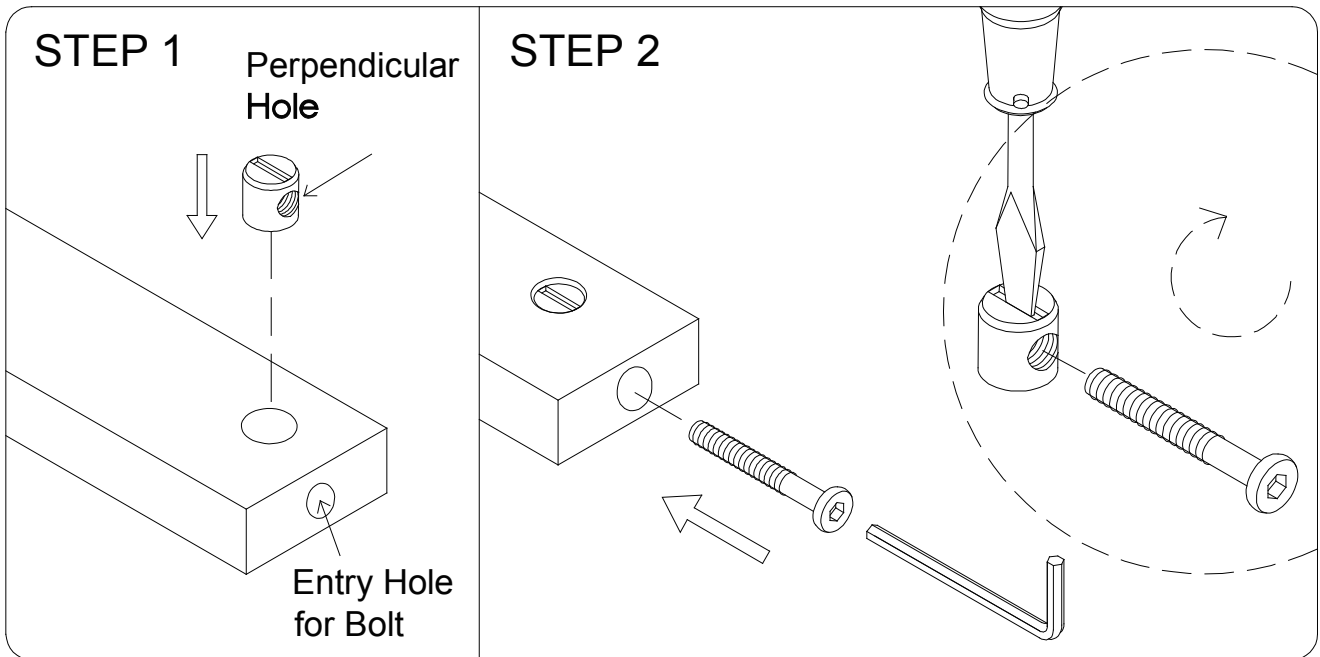
# ASSEMBLY INSTRUCTIONS

## STORAGE

### ASSEMBLY OVERVIEW



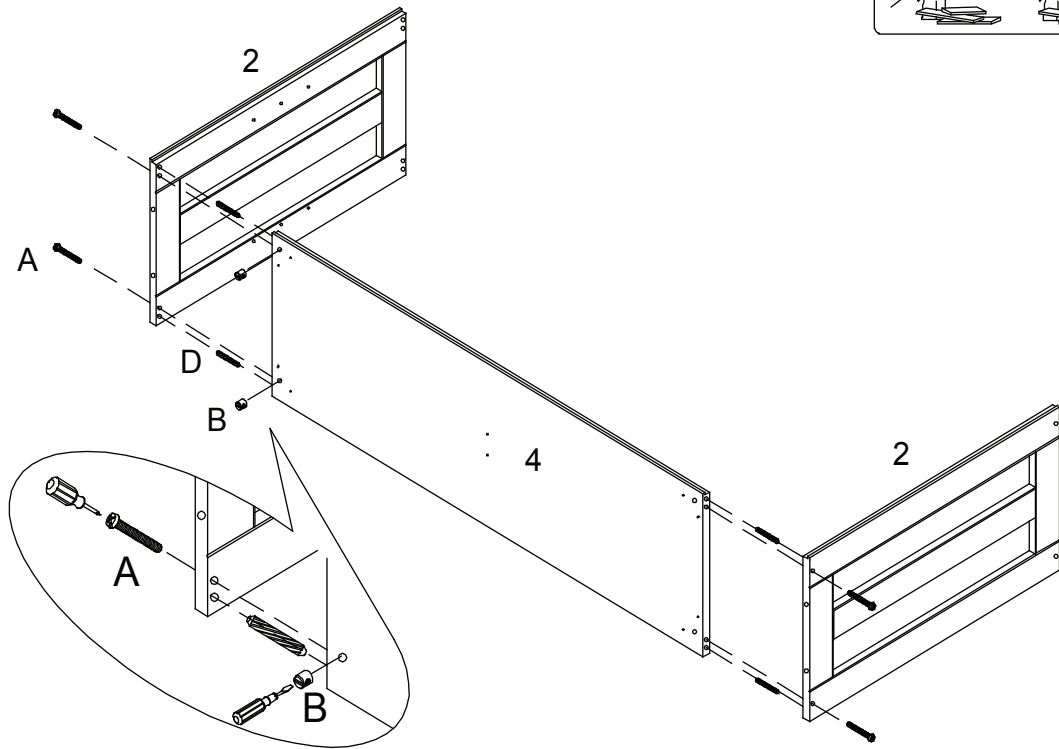
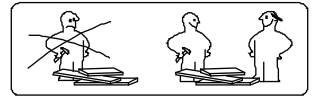
## INSTRUCTIONS FOR INSTALLING BARREL NUT



Insert Barrel Nut with the perpendicular hole facing and in-line with the drill hole that the bolt is to be inserted.

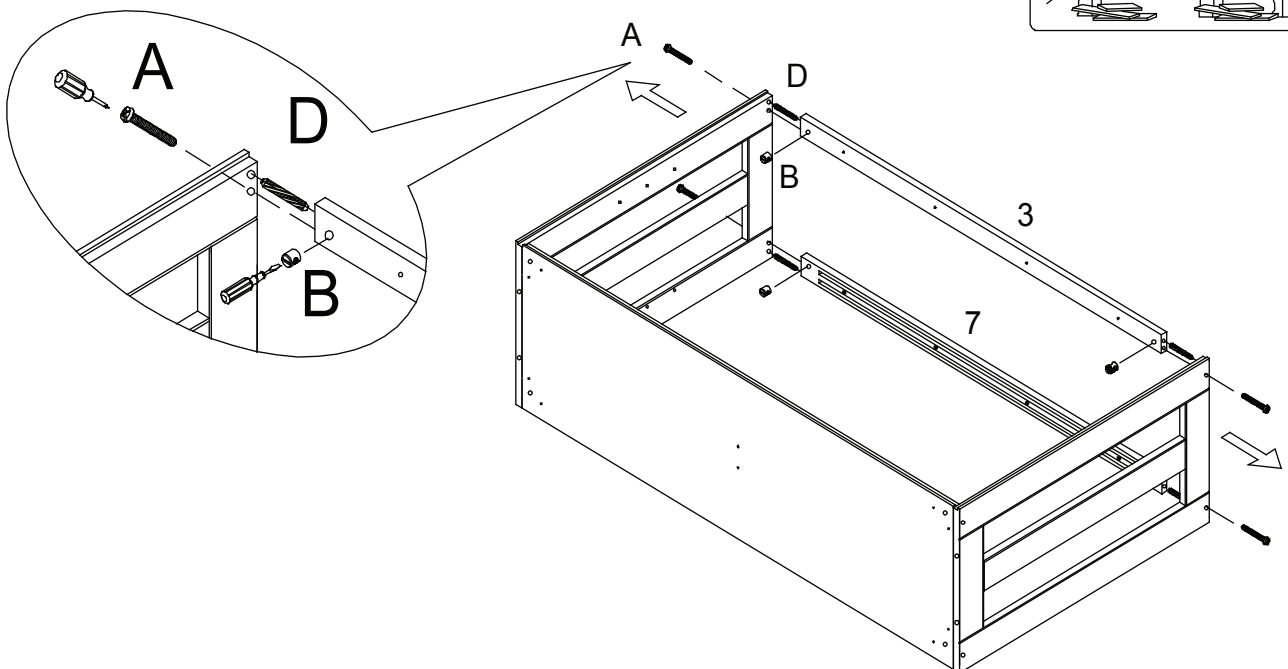
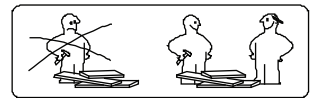
Use a Flat-head Screwdriver to hold Barrel Nut in position before inserting bolt to thread into the Barrel Nut.

## Step 1



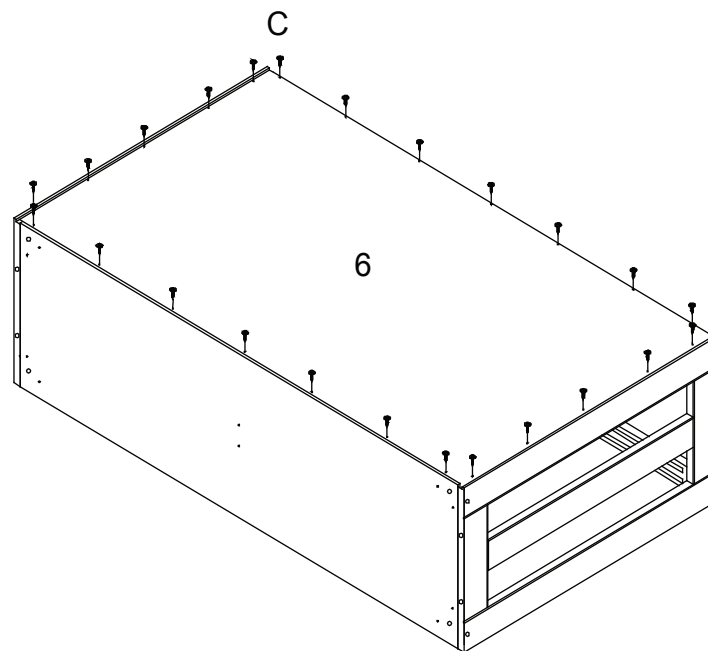
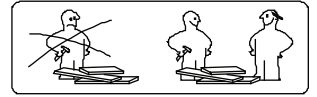
1. Assemble side panel (2) to bottom panel (4) by using wooden dowel (D), screw (A) and barrel nut (B) as shown.

## Step 2



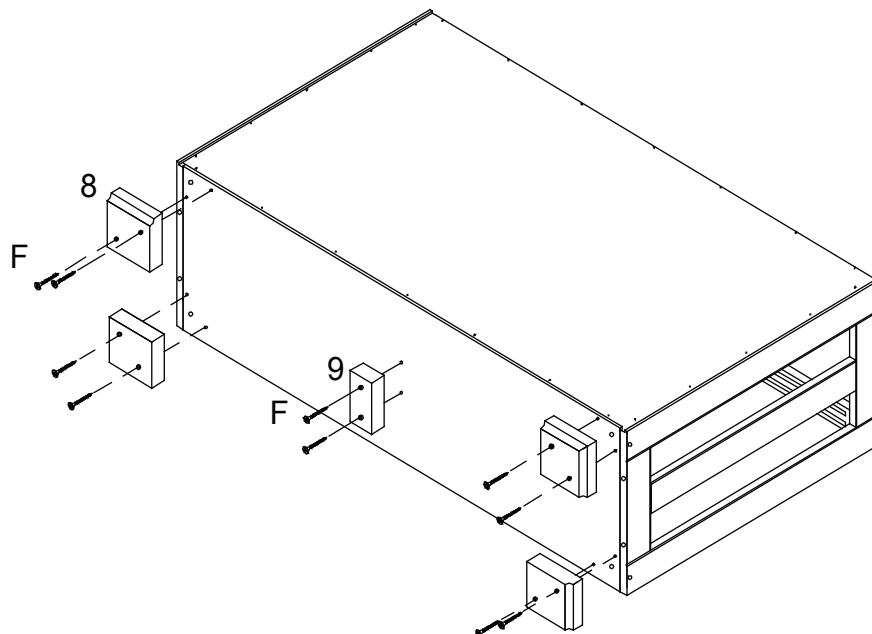
1. Pull out two side panel (2) slightly. Assemble front rail (7) and back rail (3) by using wooden dowel (D), screw (A) and barrel nut (B) as shown.

## Step 3



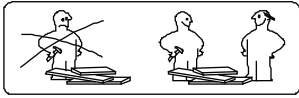
1. Attach back panel (6) to assemble unit from step (2) by using screw (C).

## Step 4



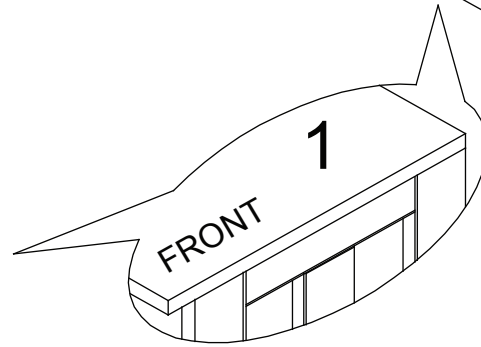
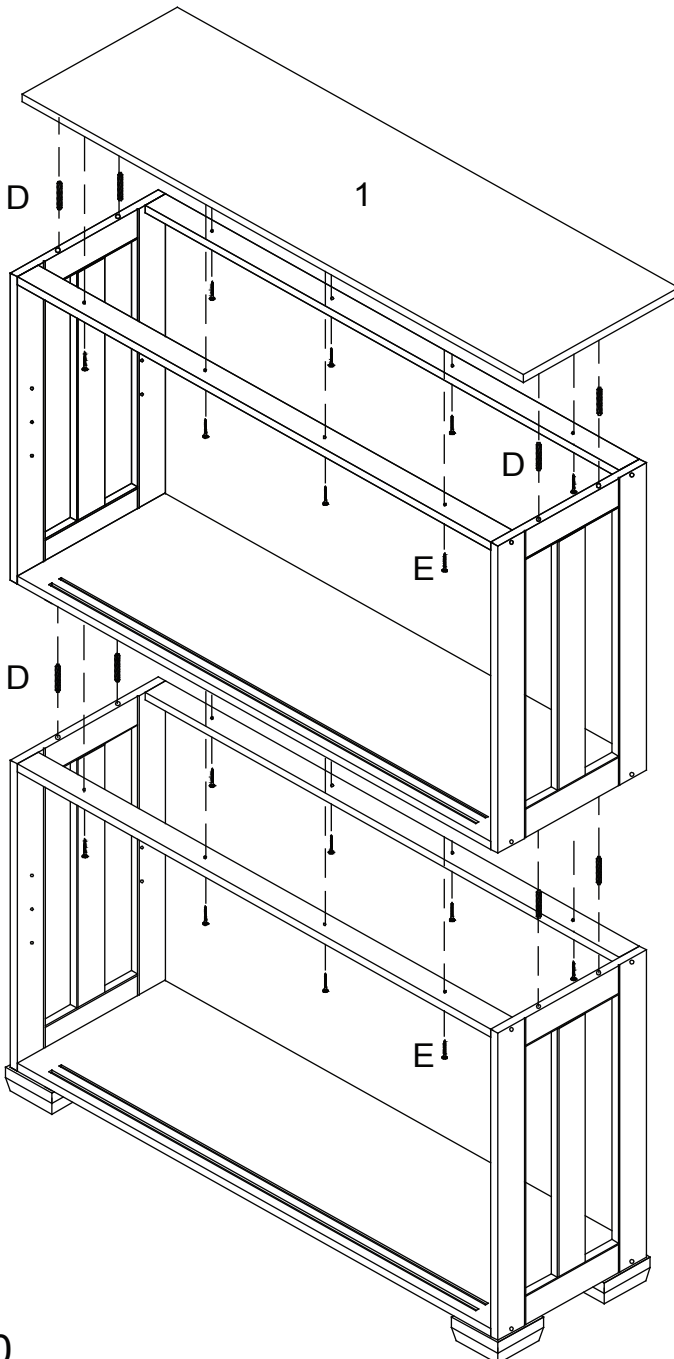
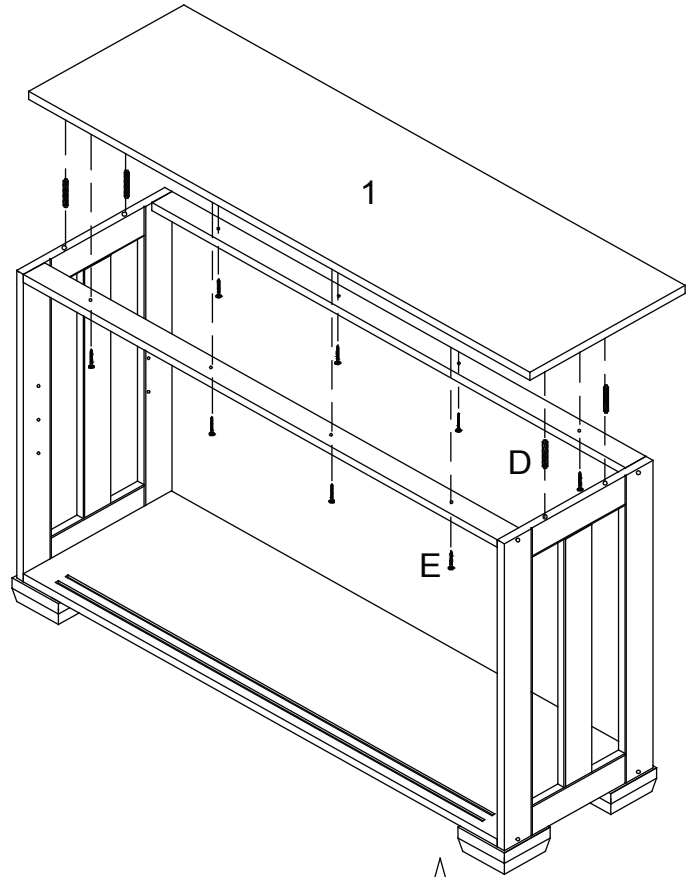
1. Assemble big leg (8) and small leg (9) using screw (F) as shown.  
**Important: Please outward to the side with radian of big leg (8).**

## Step 5



### FOR SINGLE

1. Rotate the unit from step 4 and assembly top panel (1) by using wooden dowel (D) and screw (E).



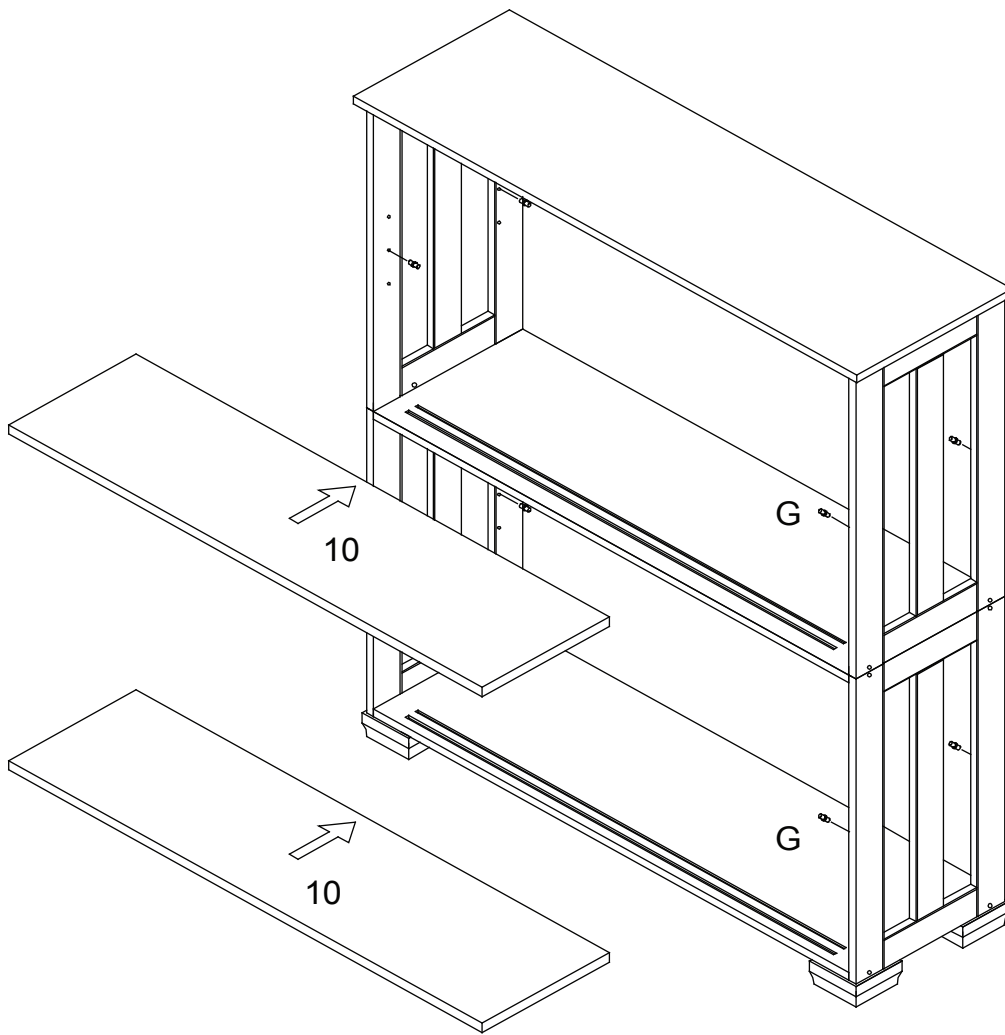
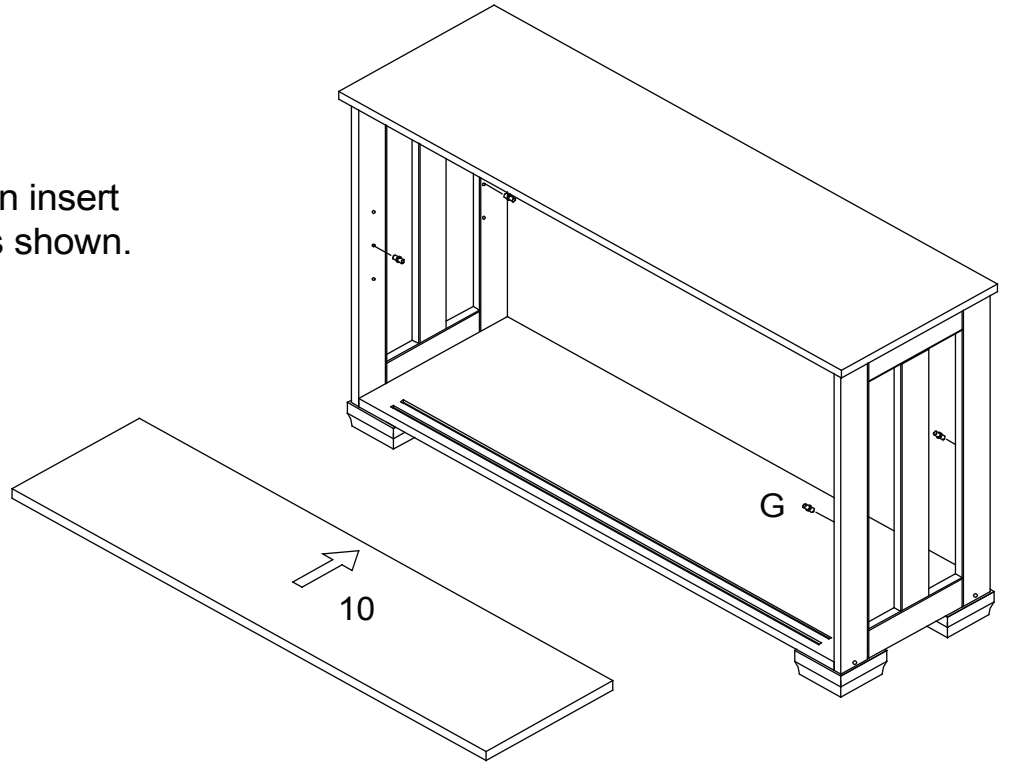
### FOR STACKABLE

1. Repeat step 1 to step 3 for additional unit.
2. Assemble additional unit to the unit from step 4 by using wooden dowel (D) and screw (E).
3. Assemble top panel (1) by using wooden dowel (D) and screw (E).

## Step 6

### FOR SINGLE

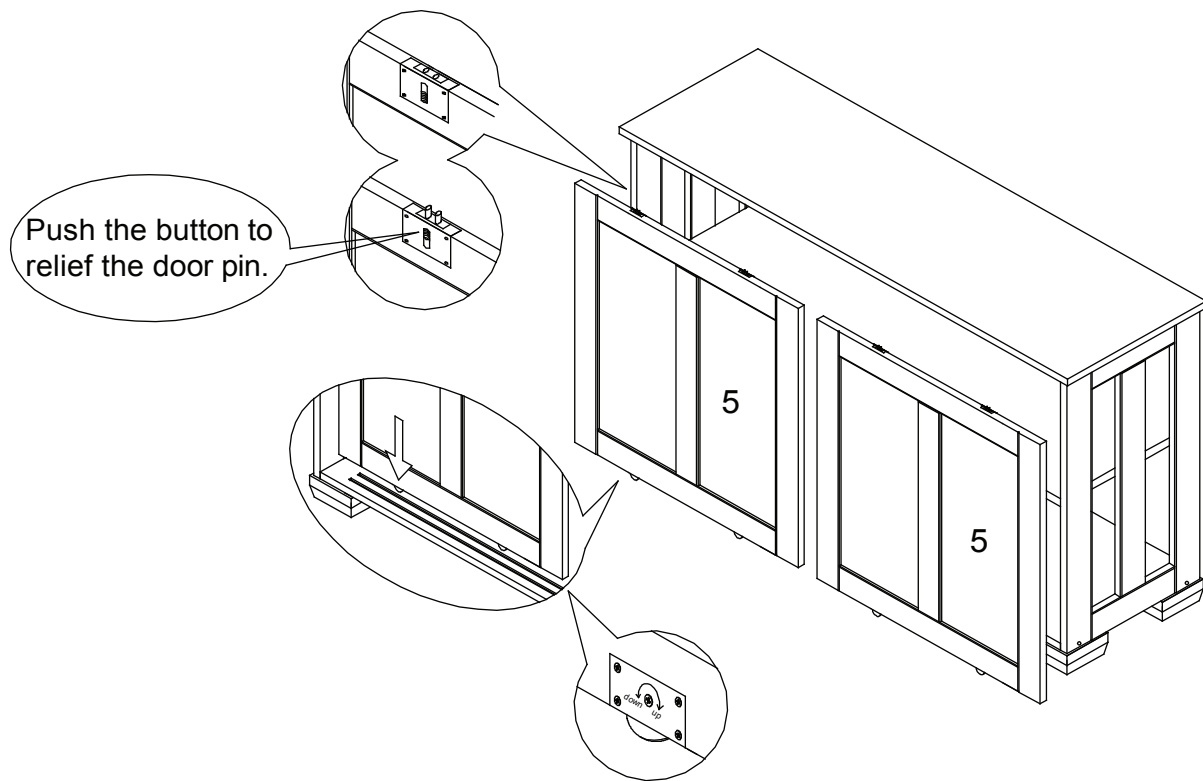
1. Install shelf pin (G), then insert adjustable shelf (10) as shown.



### FOR STACKABLE

1. Install shelf pin (G), then insert adjustable shelf (10) as shown.

## Step 7



### FOR SINGLE

1. Insert sliding door (5) to assembled unit as shown.

**Important: If the door not firm, please screw the middle screw to adjust the height of wheel as shown.**

### FOR STACKABLE

1. Insert sliding door (5) to assembled unit as shown.

**Important: If the door not firm, please screw the middle screw to adjust the height of wheel as shown.**

2. Please note that if you buying two piece of this item and stack them together, you will have extra pieces of top panel (1)-1pc, big leg (8)-4pcs and small leg (9)-1pc.

