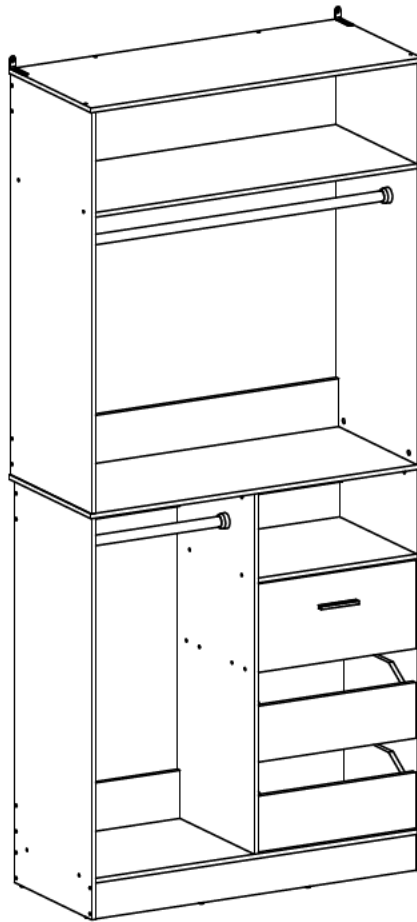


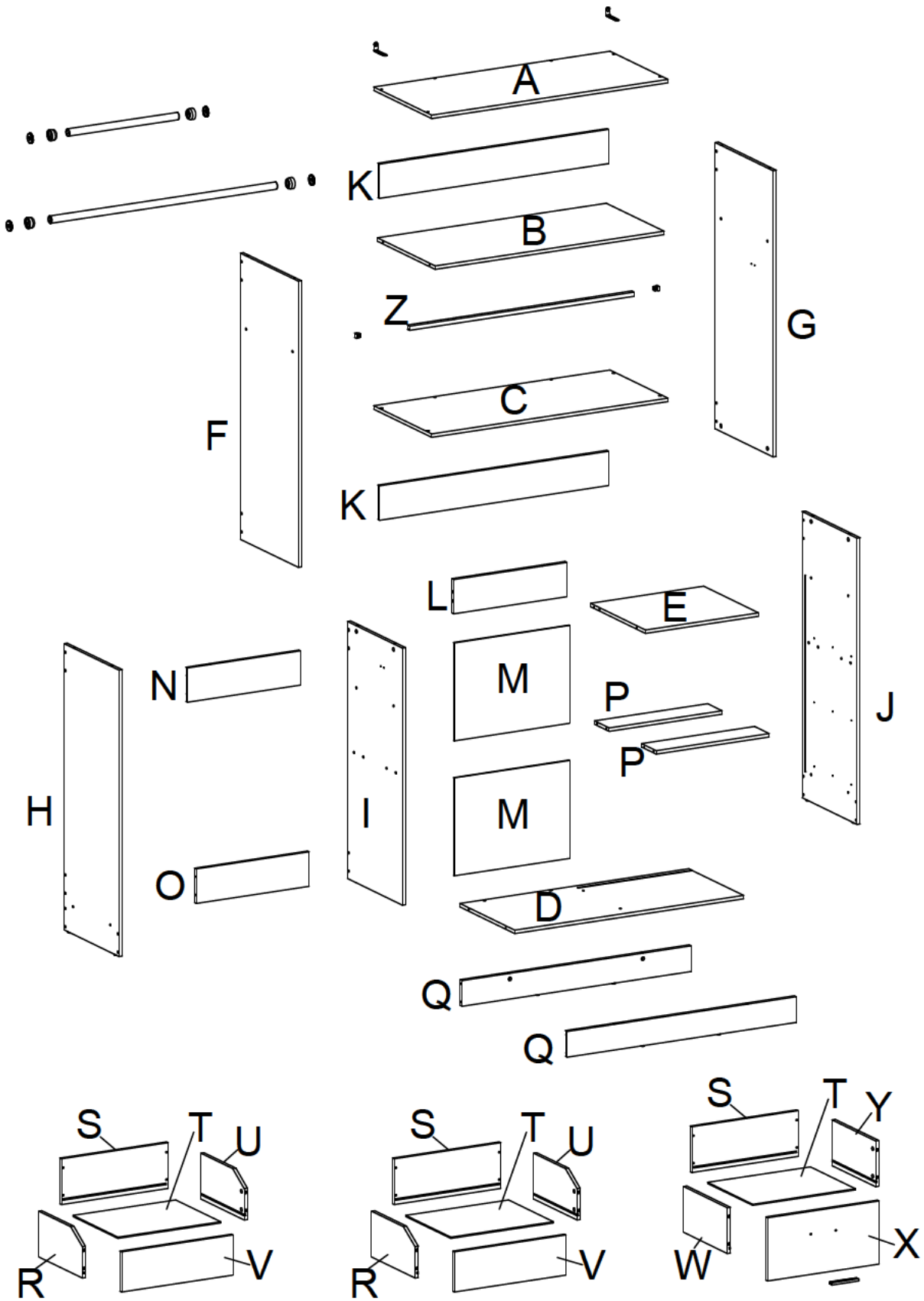
Long Closet Rods Closet with Open Drawers

Assembly Instructions









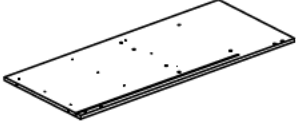
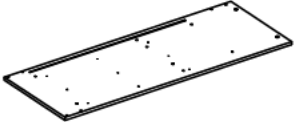

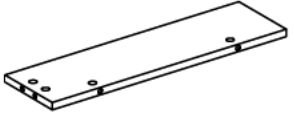

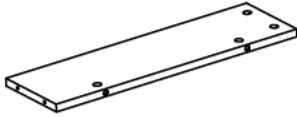








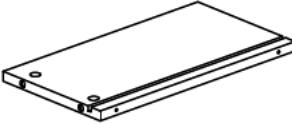
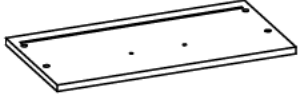
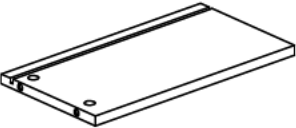



Attention: Please ensure you have all parts before commencing assembly.
Please read all the instructions before commencing.

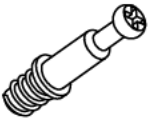

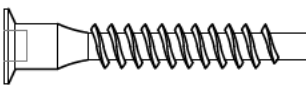




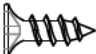





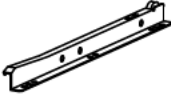

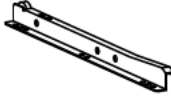
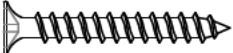



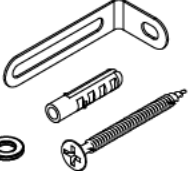


PART LIST



PART LIST

<p>A x 1pc</p> 	<p>B x 1pc</p> 	<p>C x 1pc</p> 	<p>D x 1pc</p> 
<p>E x 1pc</p> 	<p>F x 1pc</p> 	<p>G x 1pc</p> 	<p>H x 1pc</p> 
<p>I x 1pc</p> 	<p>J x 1pc</p> 	<p>K x 2pcs</p> 	<p>L x 1pc</p> 
<p>M x 2pcs</p> 	<p>N x 1pc</p> 	<p>O x 1pc</p> 	<p>P x 2pcs</p> 
<p>Q x 2pcs</p> 	<p>R x 2pcs</p> 	<p>S x 3pcs</p> 	<p>T x 3pcs</p> 
<p>U x 2pcs</p> 	<p>V x 2pcs</p> 	<p>W x 1pc</p> 	<p>X x 1pc</p> 
<p>Y x 1pc</p> 	<p>Z x 1pc</p> 		

HARDWARE LIST

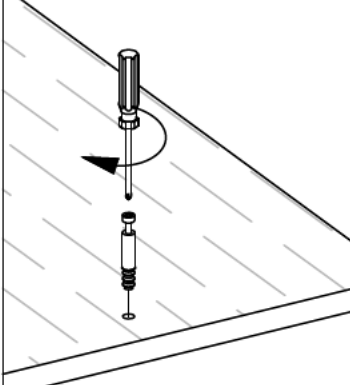
<p>①</p>  <p>M6x28 36 pcs</p>	<p>②</p>  <p>Ø12 36 pcs</p>	<p>③</p>  <p>M6x40 54 pcs</p>	<p>④</p>  <p>M4x15 2 pcs</p>
<p>⑤</p>  <p>434L 1 pc</p>	<p>⑥</p>  <p>M3x12 48 pcs</p>	<p>⑦</p>  <p>12 pcs</p>	<p>⑧</p>  <p>M4x12 8 pcs</p>
<p>⑨</p>  <p>Ø25x422 1 pc</p>	<p>⑩</p>  <p>4 pcs</p>	<p>⑪</p>  <p>4 pcs</p>	<p>⑫</p>  <p>1 pc</p>
<p>⑬</p>  <p>300L 3 pcs</p>	<p>⑭</p>  <p>300L 3 pcs</p>	<p>⑮</p>  <p>300L 3 pcs</p>	<p>⑯</p>  <p>300L 3 pcs</p>
<p>⑰</p>  <p>M4x30 12 pcs</p>	<p>⑱</p>  <p>M6x22 2 pcs</p>	<p>⑲</p>  <p>Ø25x869 1 pc</p>	<p>⑳</p>  <p>15x15 2 pcs</p>
<p>㉑</p>  <p>M4x40 2 pcs</p>	<p>㉒</p>  <p>1 pc</p>	<p>㉓</p>  <p>M4 1 pc</p>	

Please count and verify all parts before assembly.

How to install Camlocks

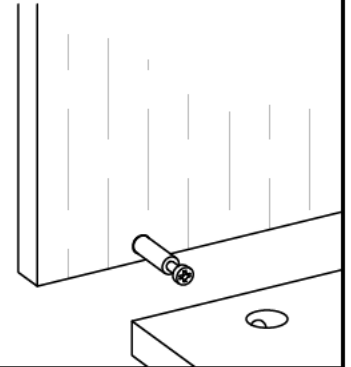
Connect the male camlock as directed in the assembly instructions with a screwdriver.

1 DO NOT OVER TIGHTEN



Put the male camlock into the entry hole.

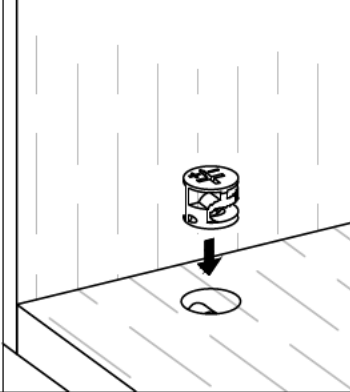
2



Insert the female camlock as shown in the instruction.

Note: ensure that the arrow on the top of the camlock points toward the entry hole for the male camlock.

3

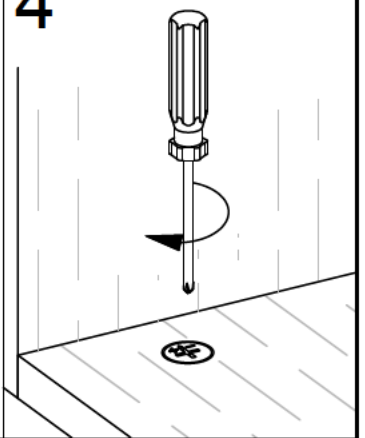


Screw the female camlock clockwise with a screwdriver.

You will feel a click when the camlock is locked in place.

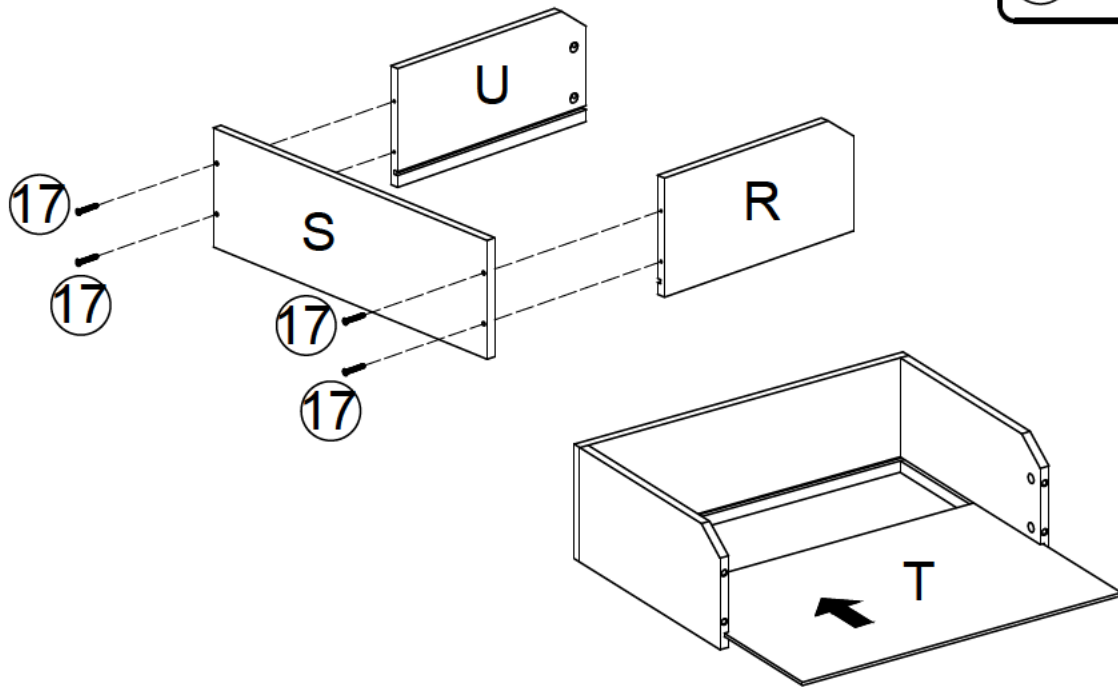
The camlock is now completed.

4



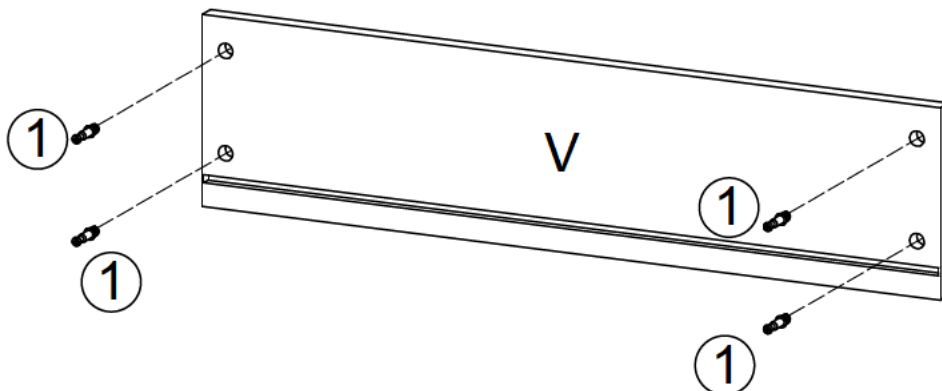
STEP 1

17  x4

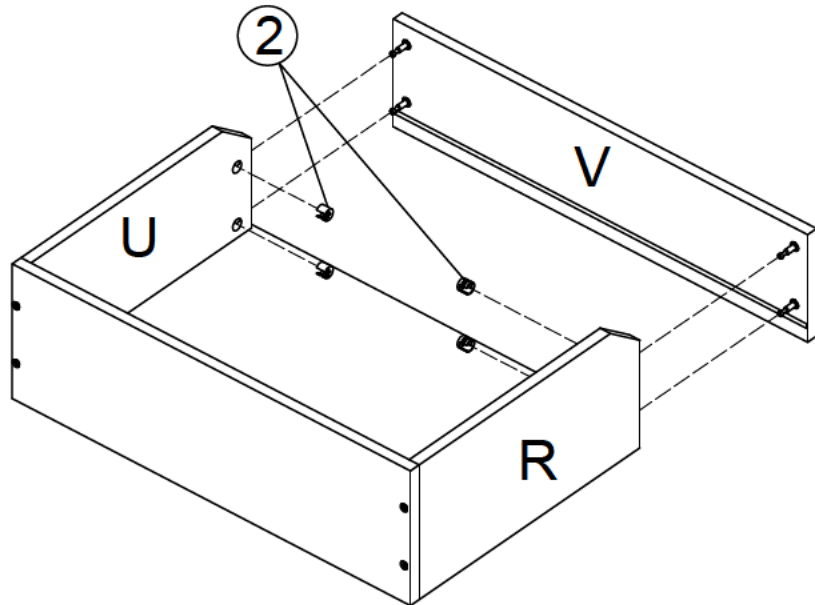
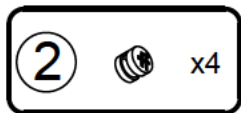


STEP 2

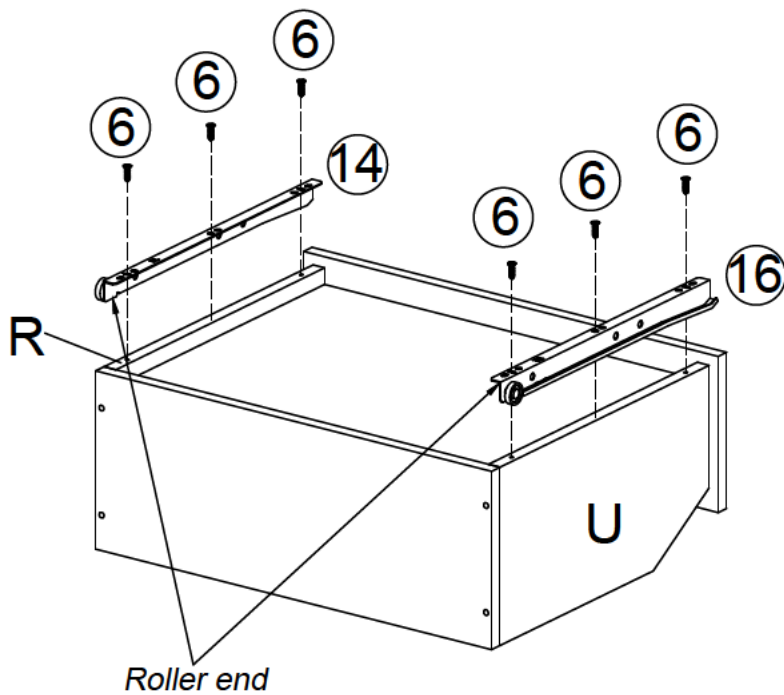
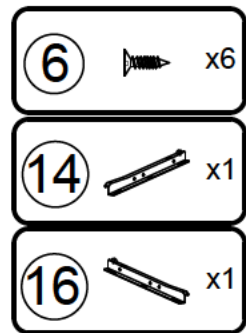
1  x4



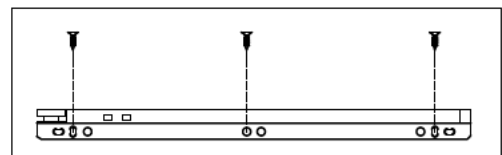
STEP 3



STEP 4

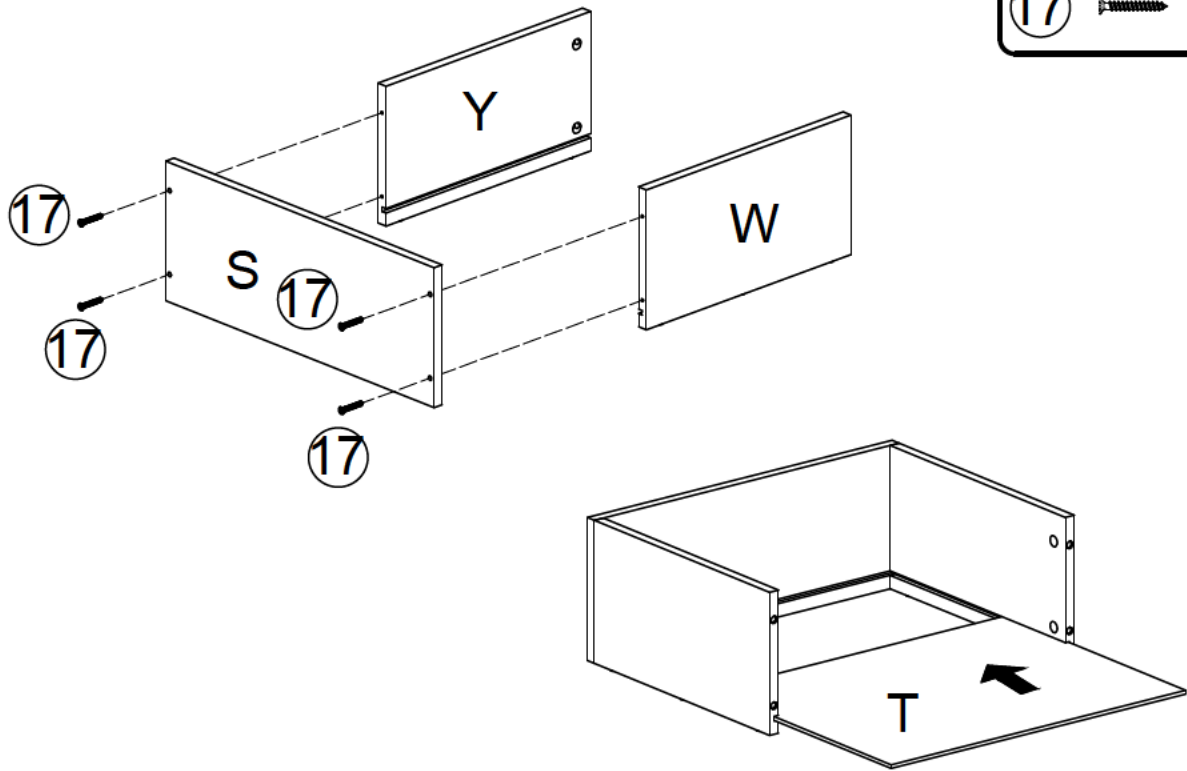


NOTICE: The installation of all two no-handle drawers is based on the above four steps.



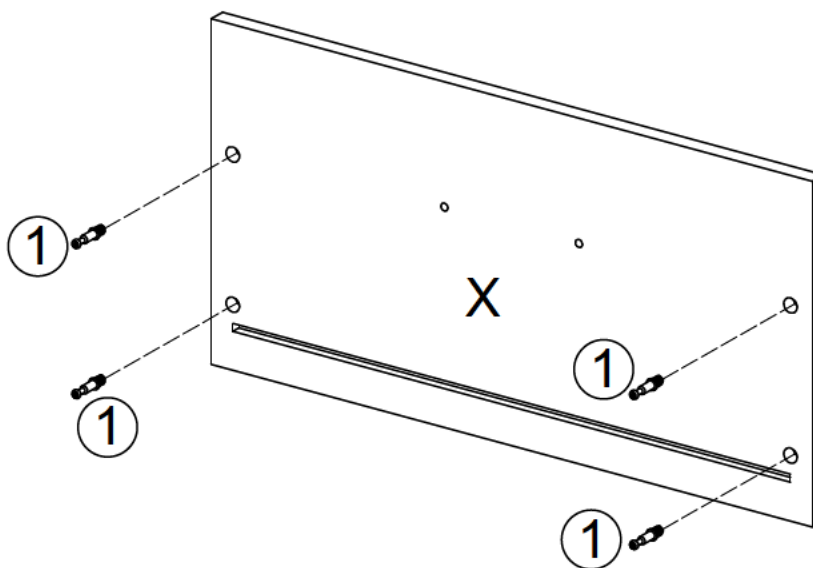
STEP 5

17  x4

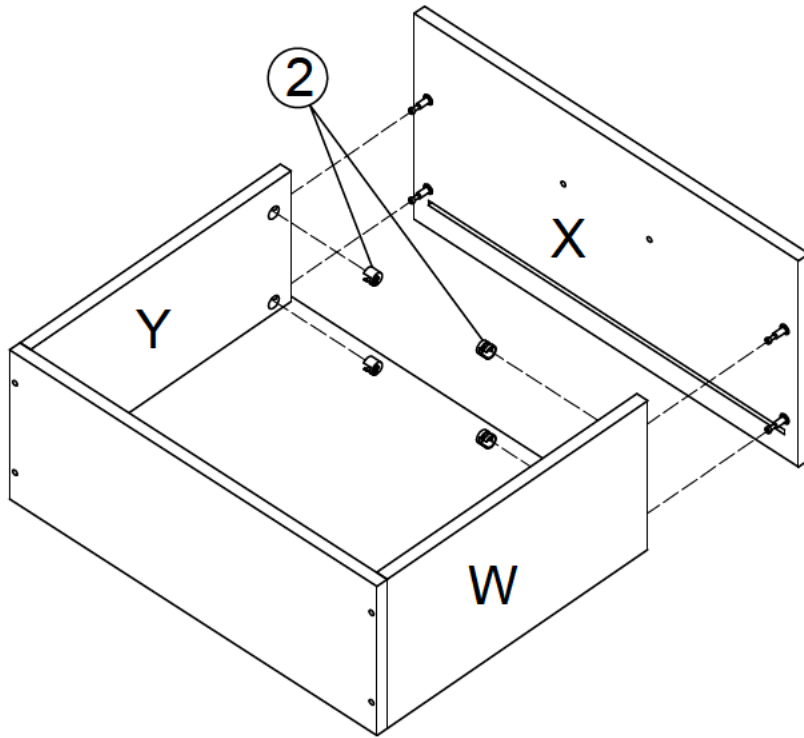
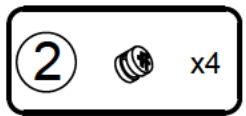


STEP 6

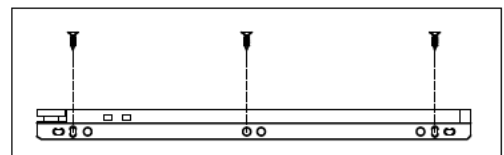
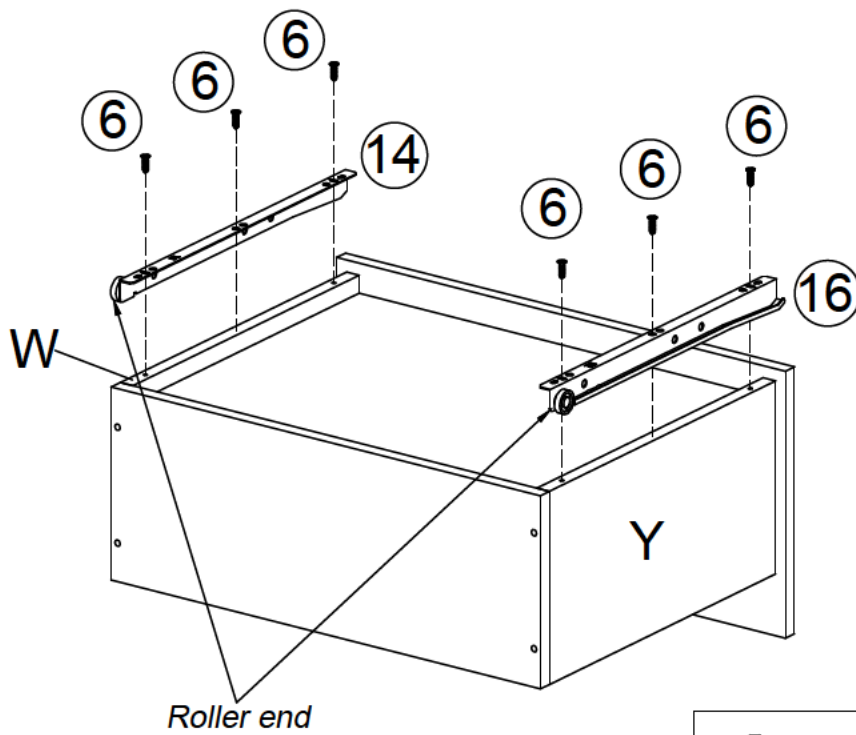
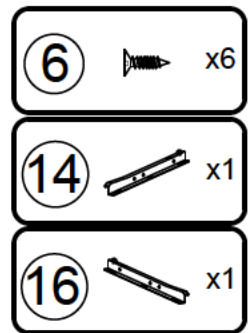
1  x4



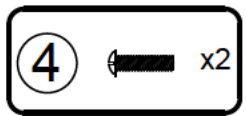
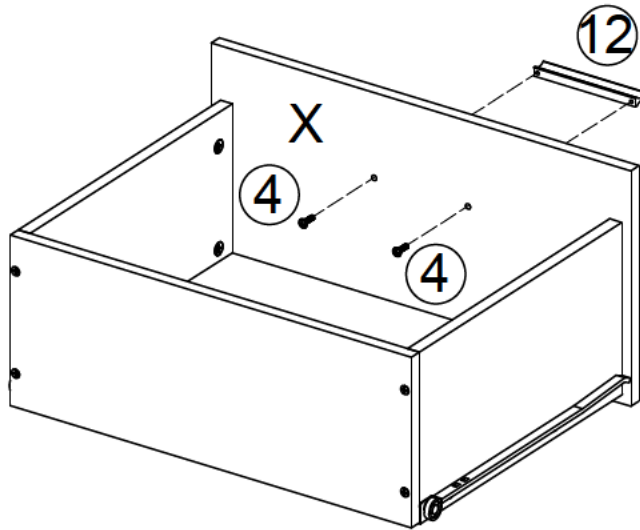
STEP 7



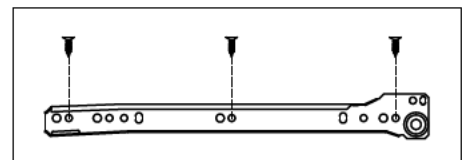
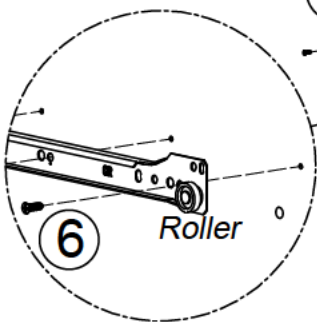
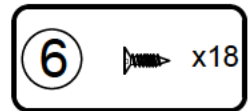
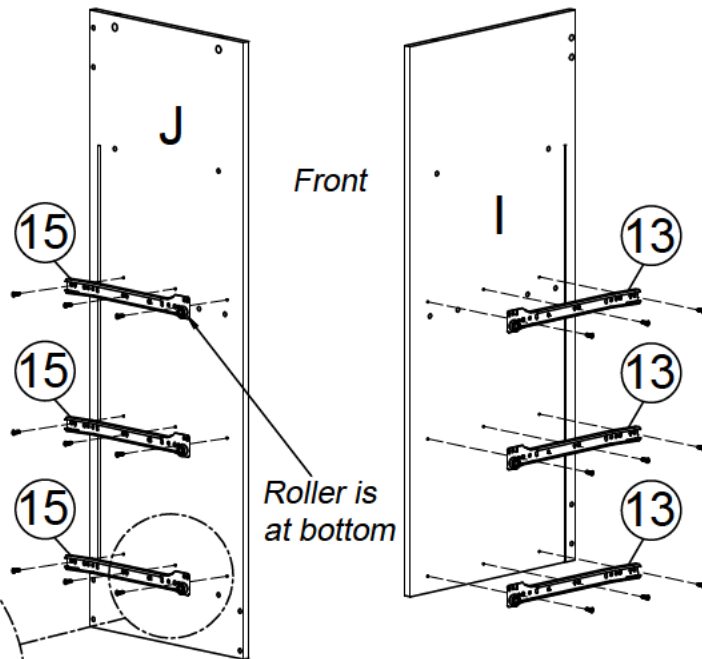
STEP 8



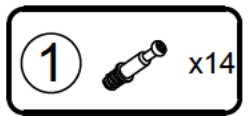
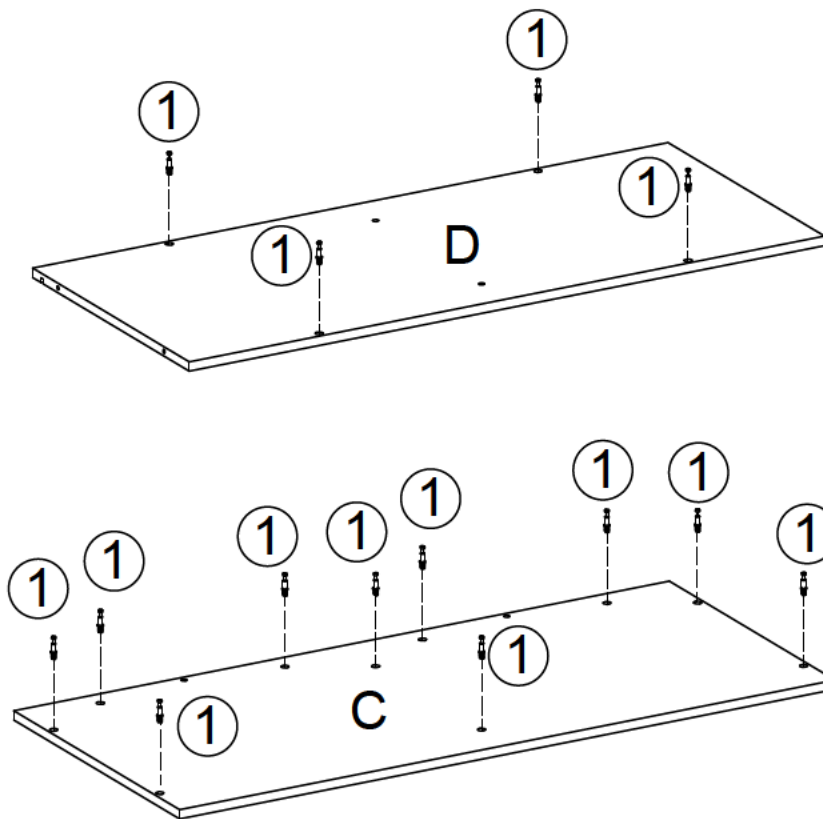
STEP 9



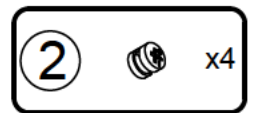
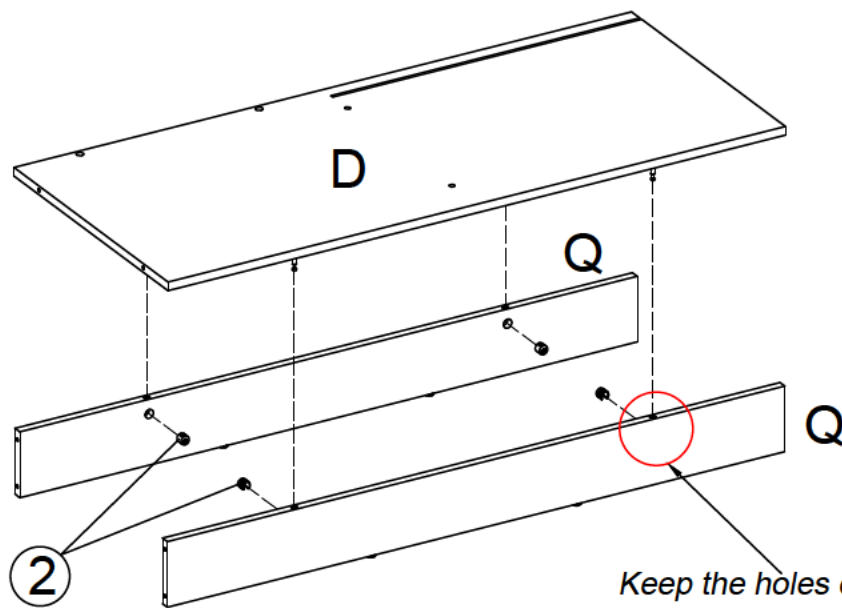
STEP 10



STEP 11

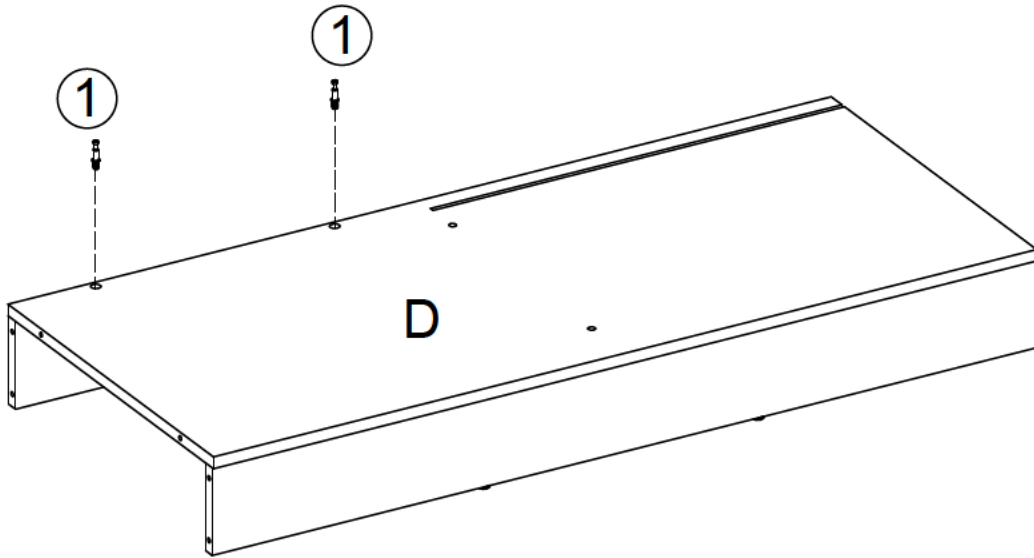
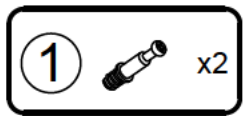


STEP 12

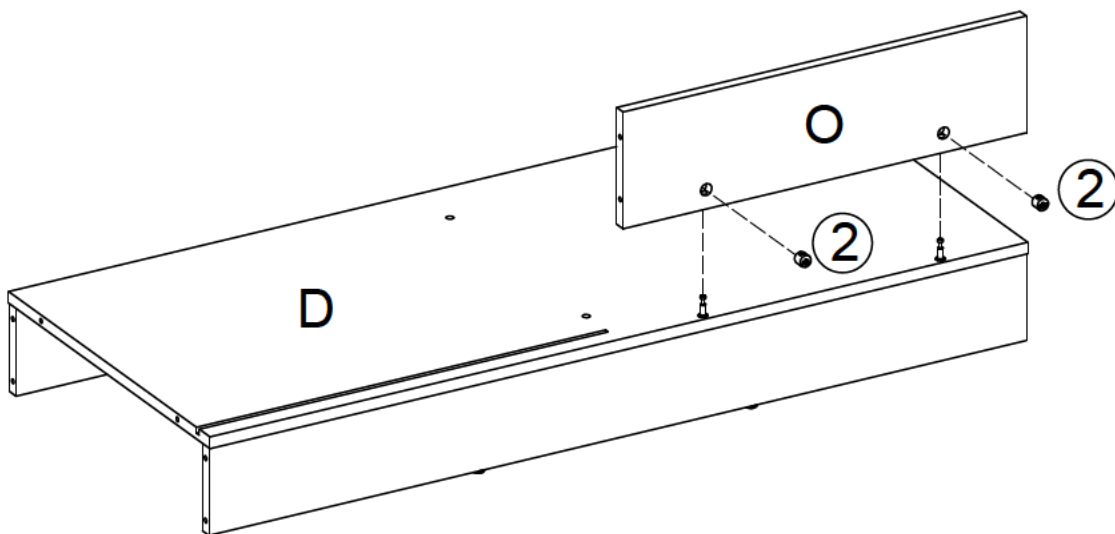
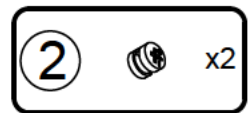


Keep the holes of the
Part R toward this direction
as shown

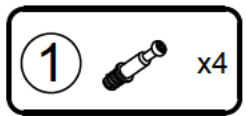
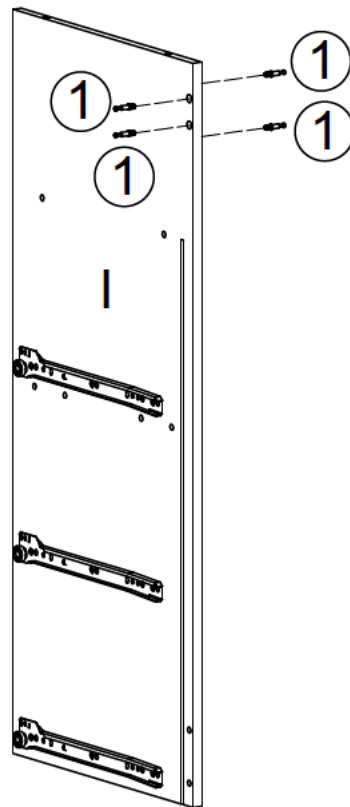
STEP 13



STEP 14

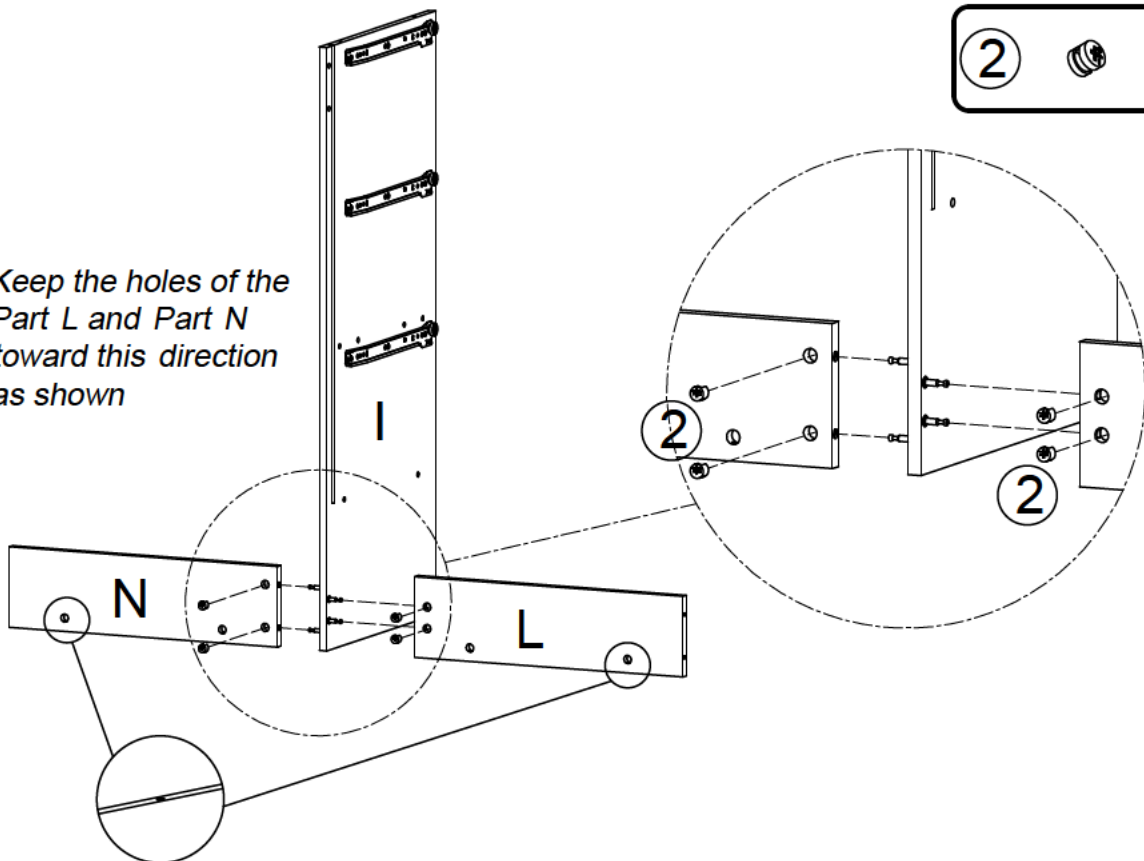


STEP 15

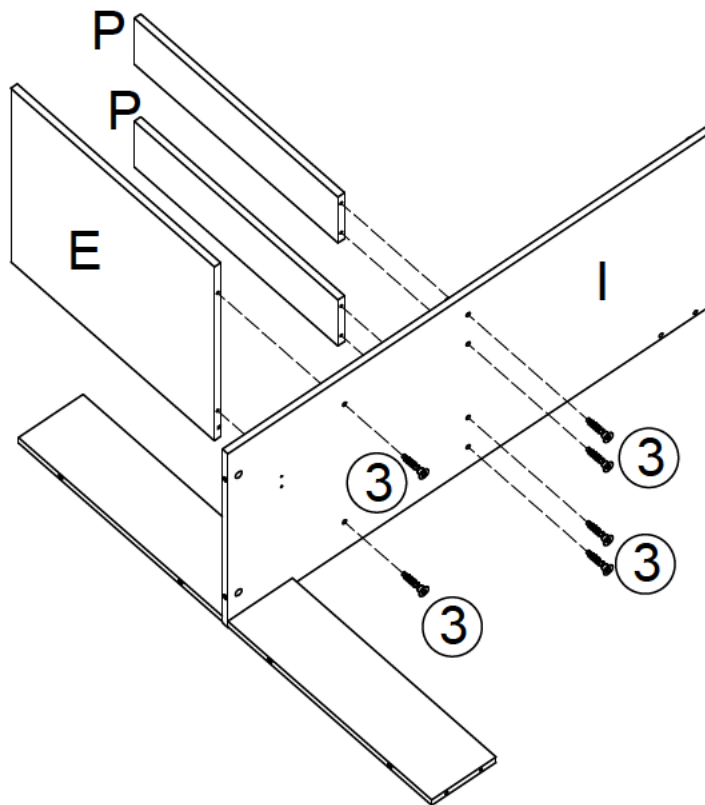


STEP 16

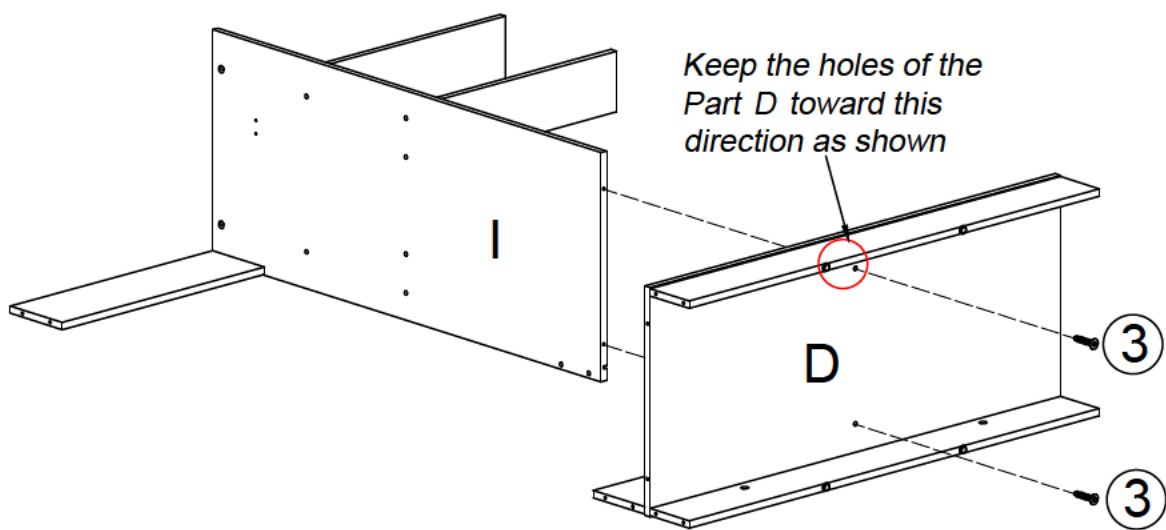
Keep the holes of the Part L and Part N toward this direction as shown



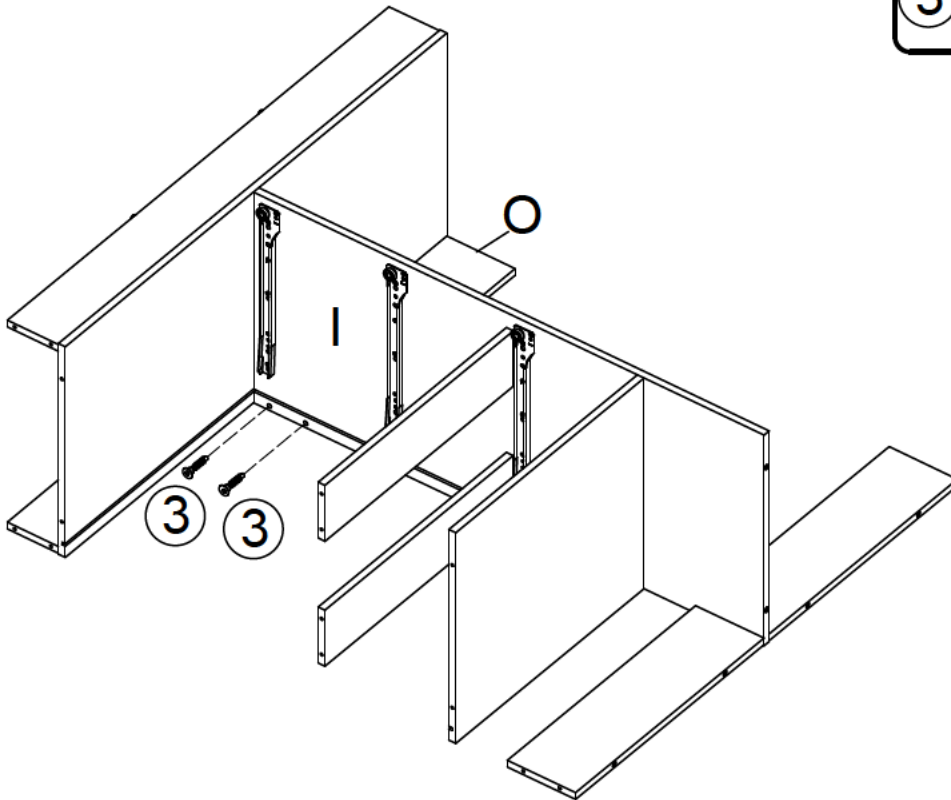
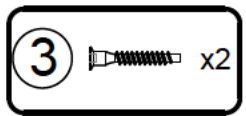
STEP 17



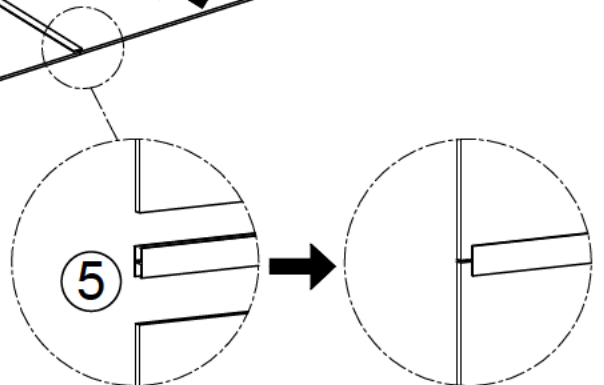
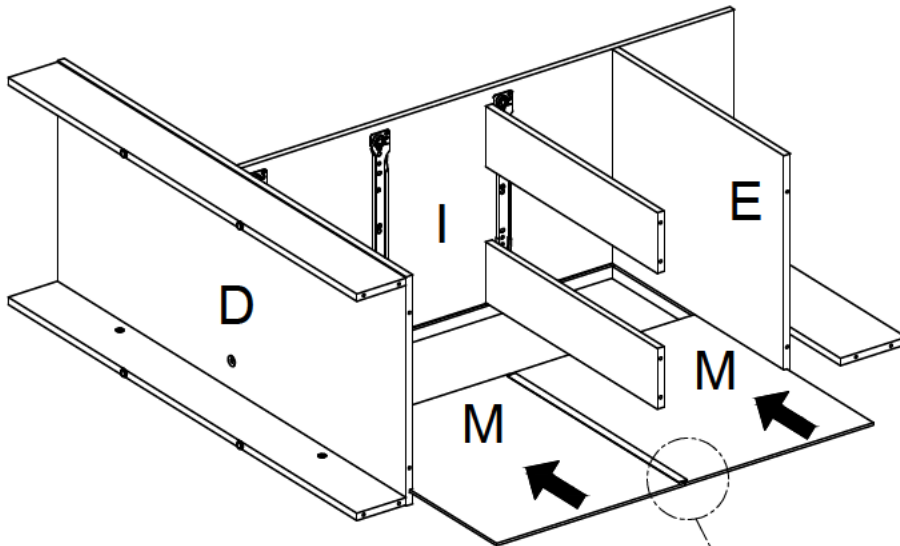
STEP 18



STEP 19

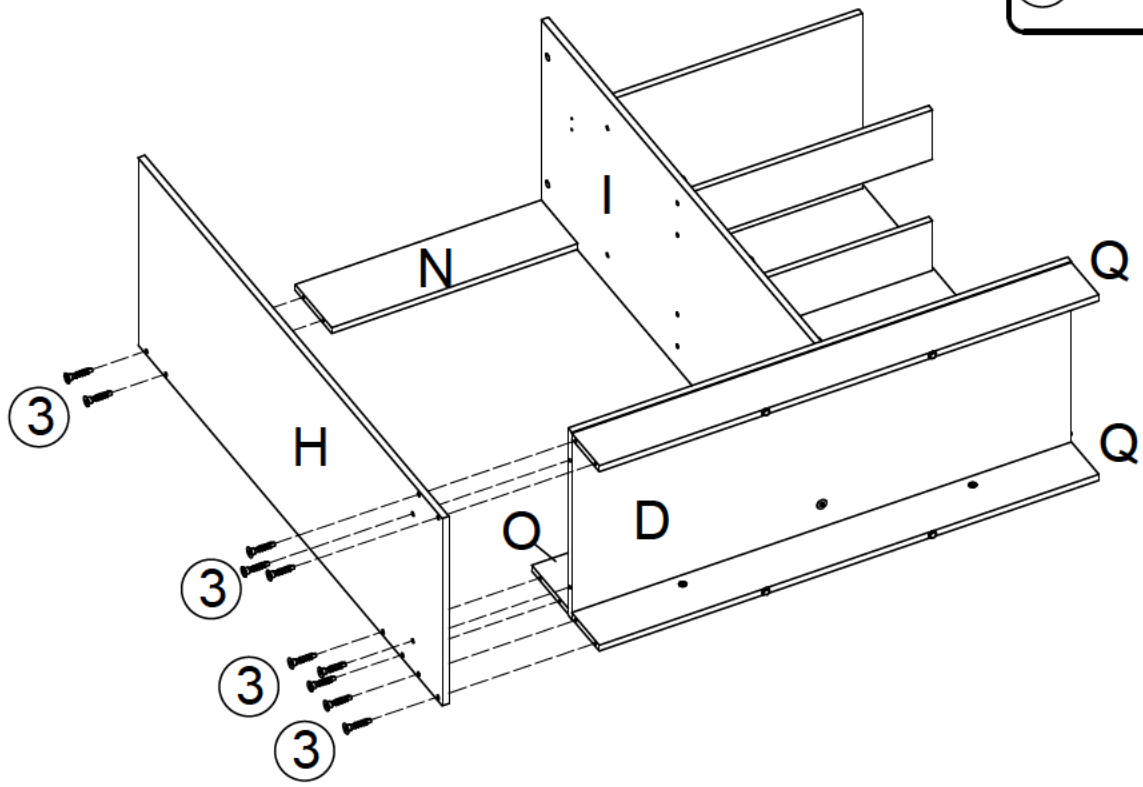


STEP 20



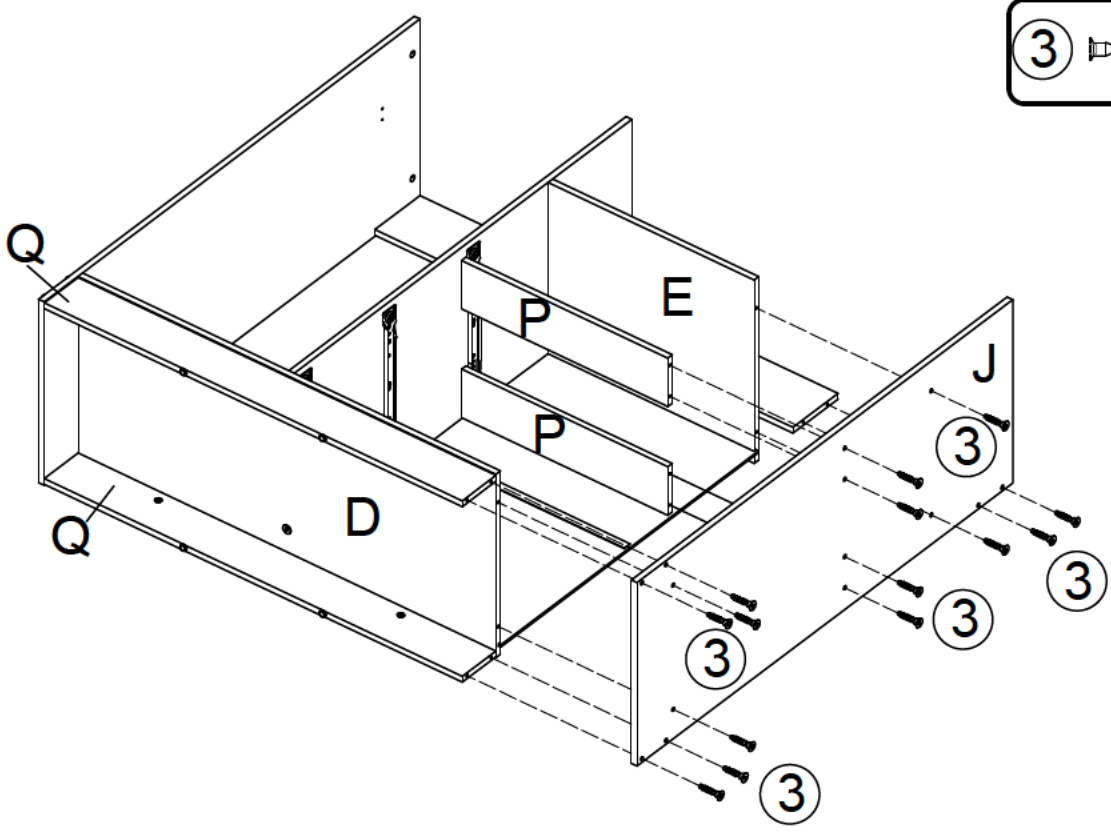
STEP 21

3  x10

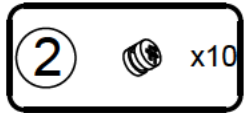
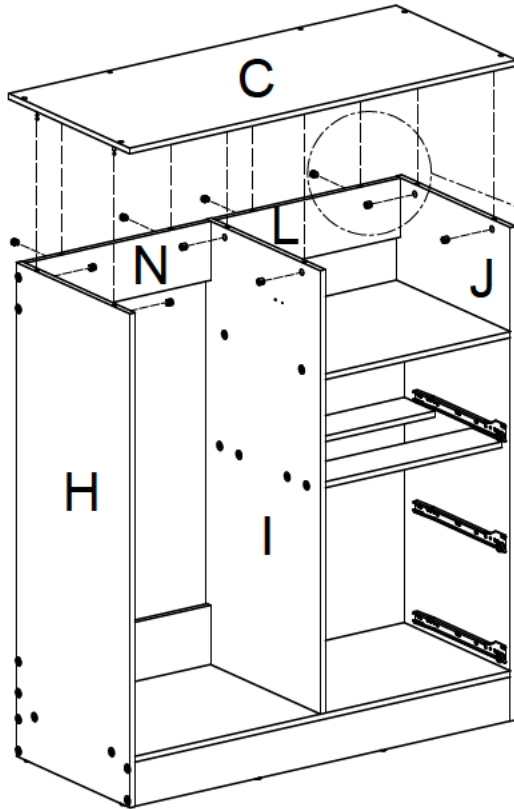


STEP 22

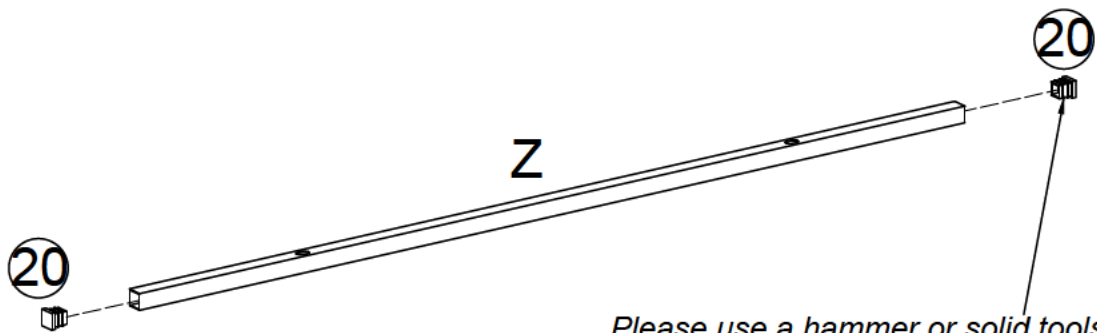
3  x14



STEP 23



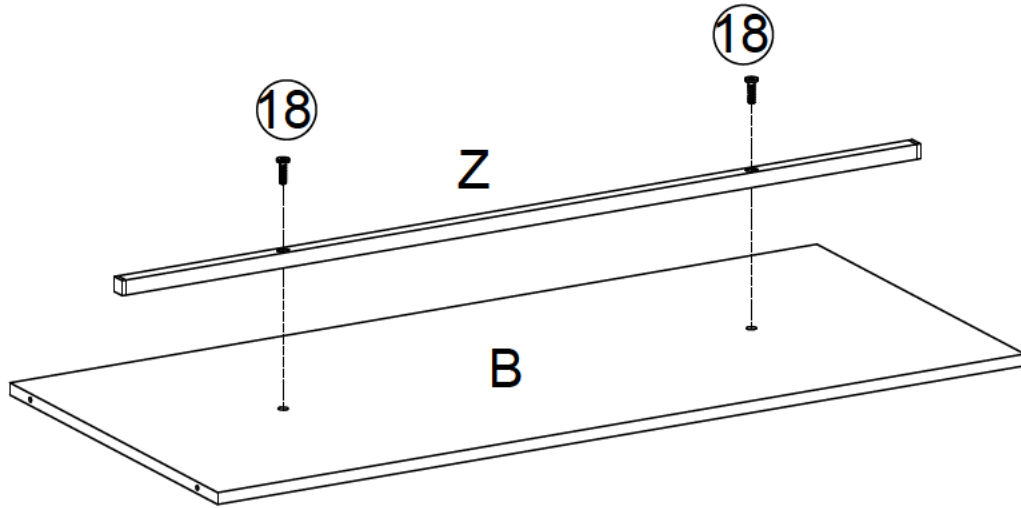
STEP 24



Please use a hammer or solid tools (not included) to knock the plastic pads into the frame.

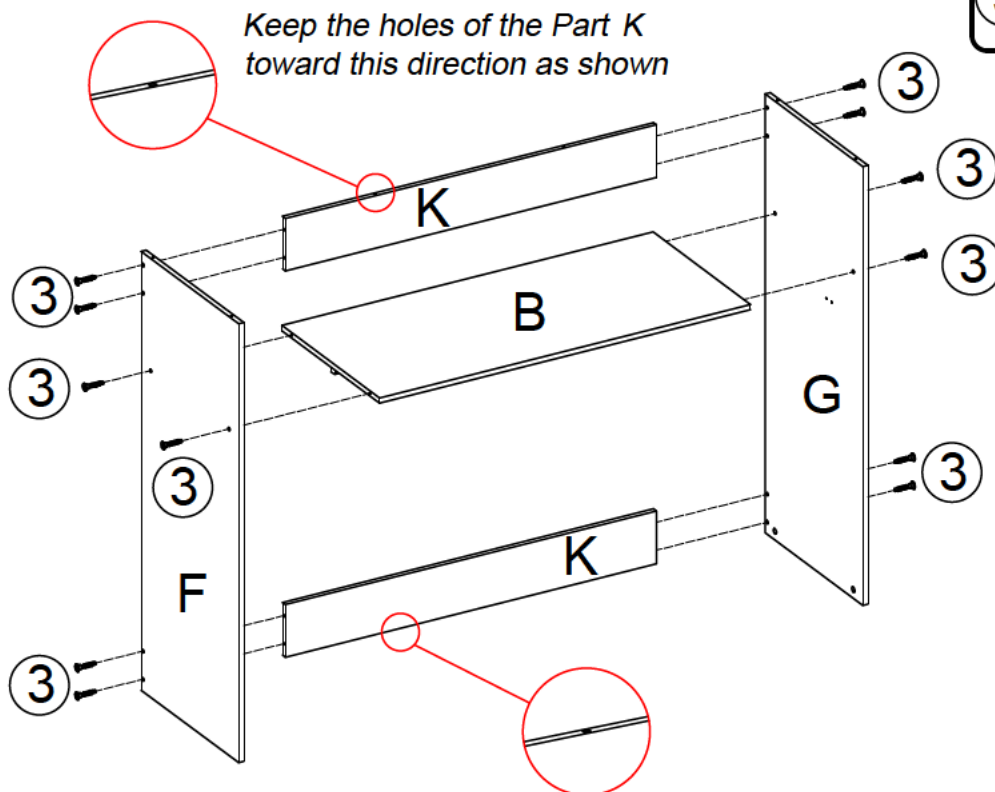
STEP 25

18  x2

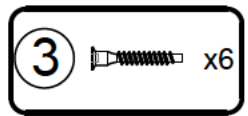
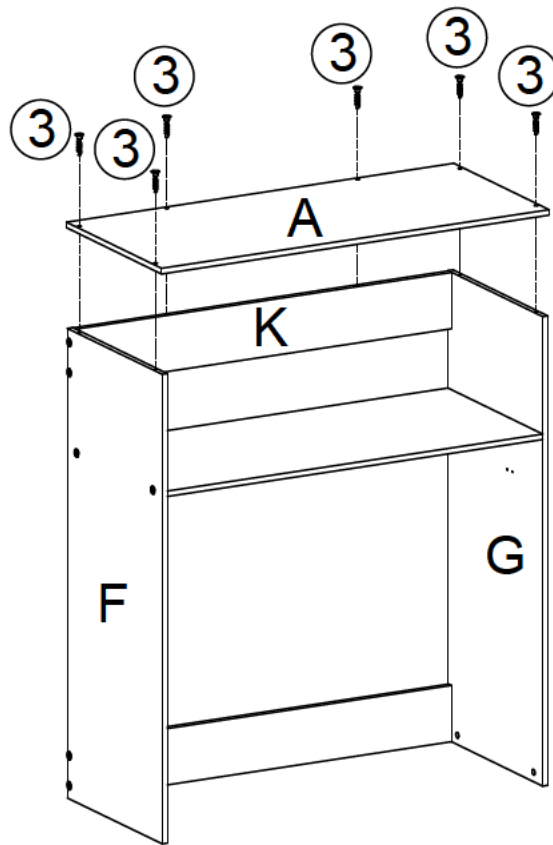


STEP 26

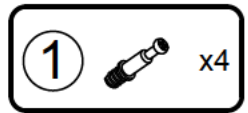
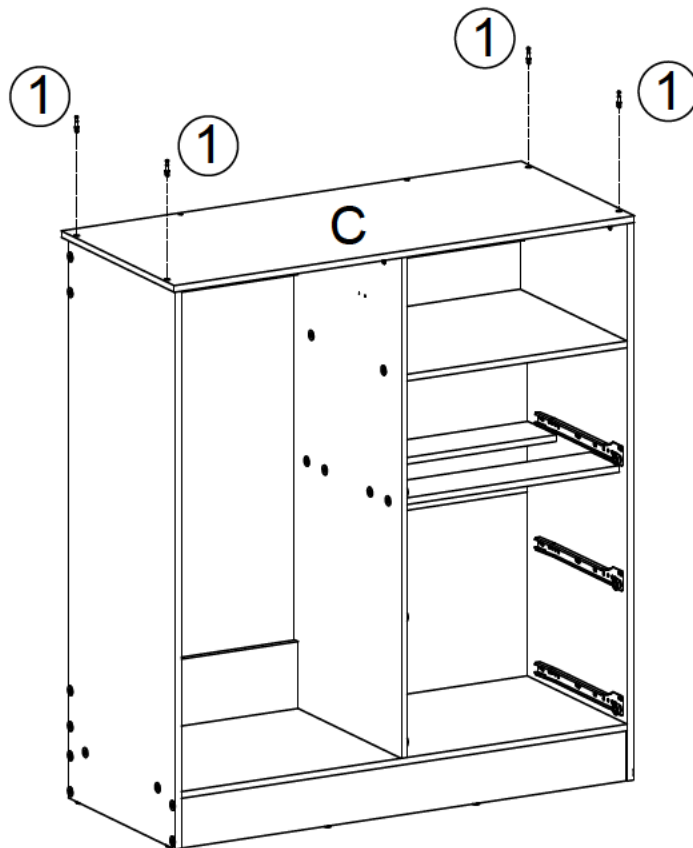
3  x12



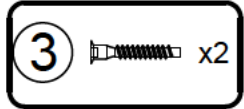
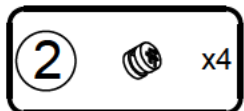
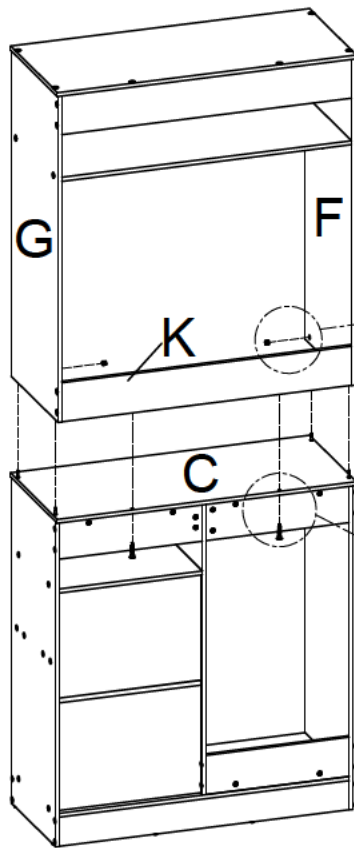
STEP 27



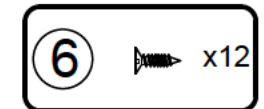
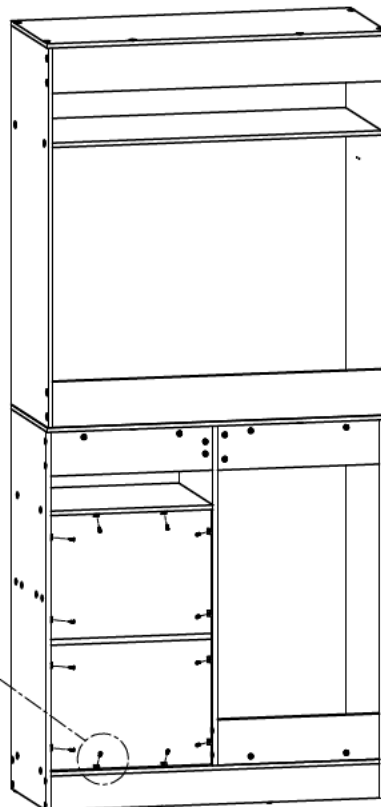
STEP 28



STEP 29

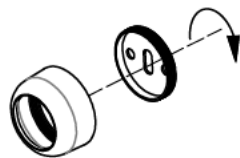
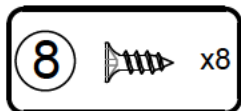
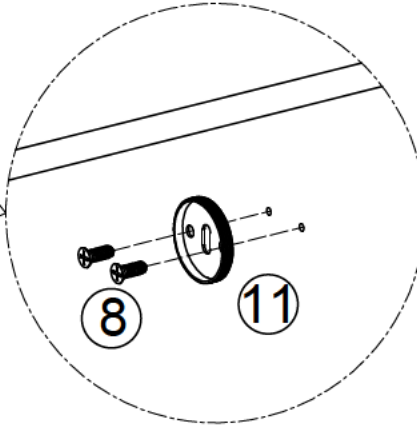
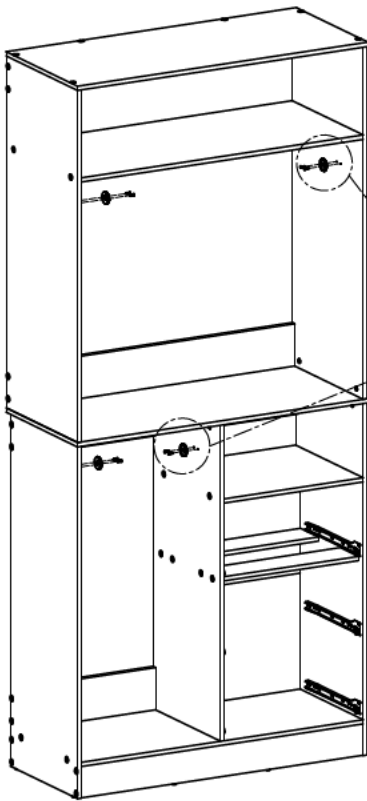


STEP 30



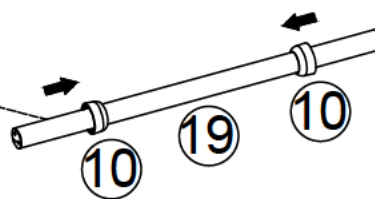
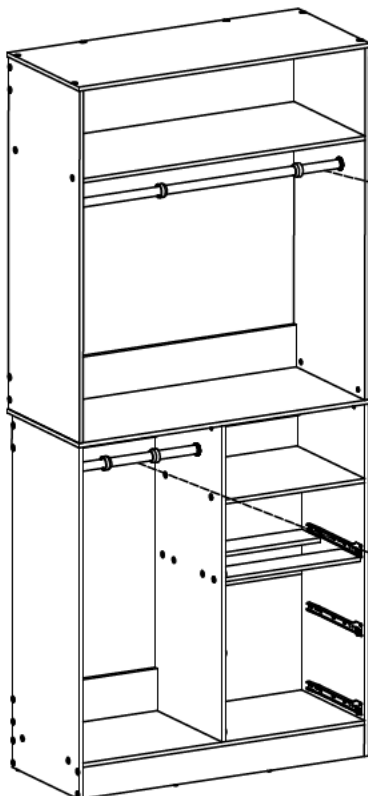
Use the buckles to reinforce the back panel.

STEP 31

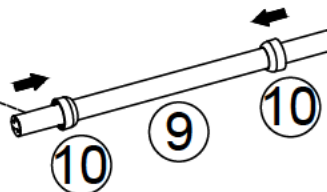


Please rotate and remove parts ⑩ and ⑪ as instructed.
Note: If necessary, please wear protective gloves during this step to avoid hand injuries.

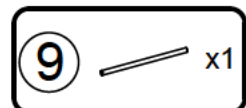
STEP 32



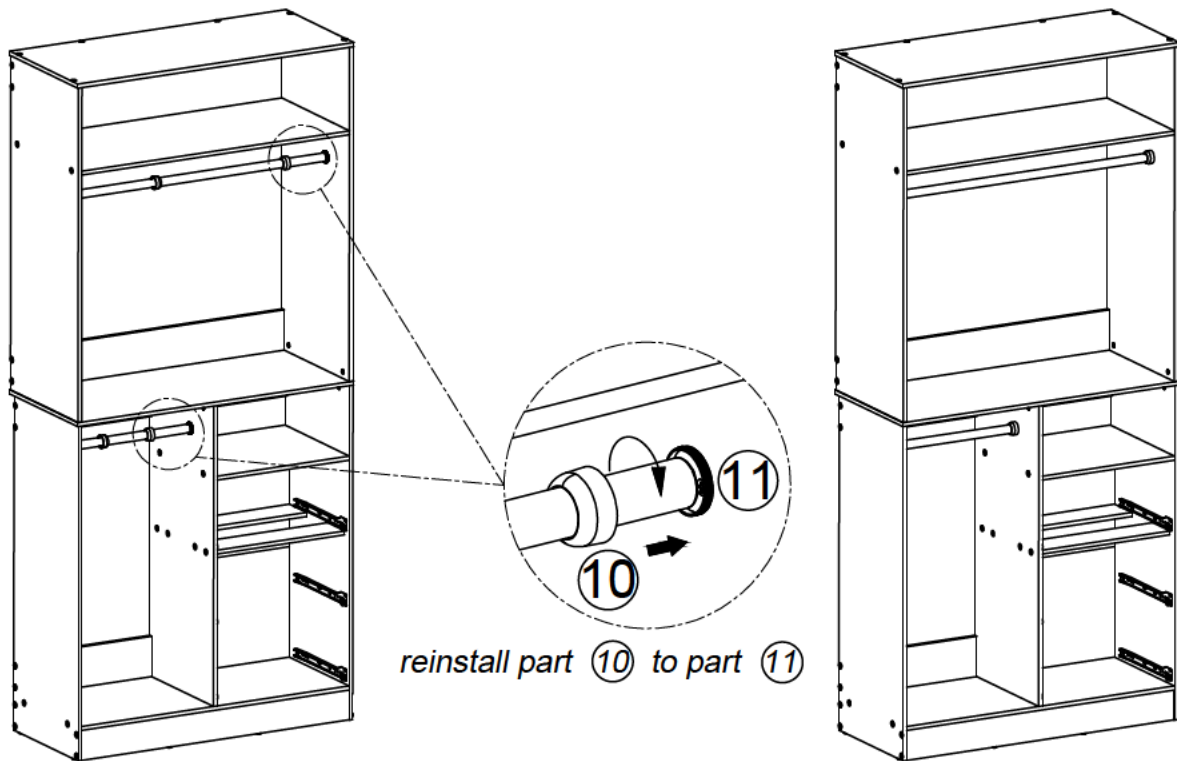
Please slide part ⑩ onto the rod part ⑲ with the threads facing outwards.



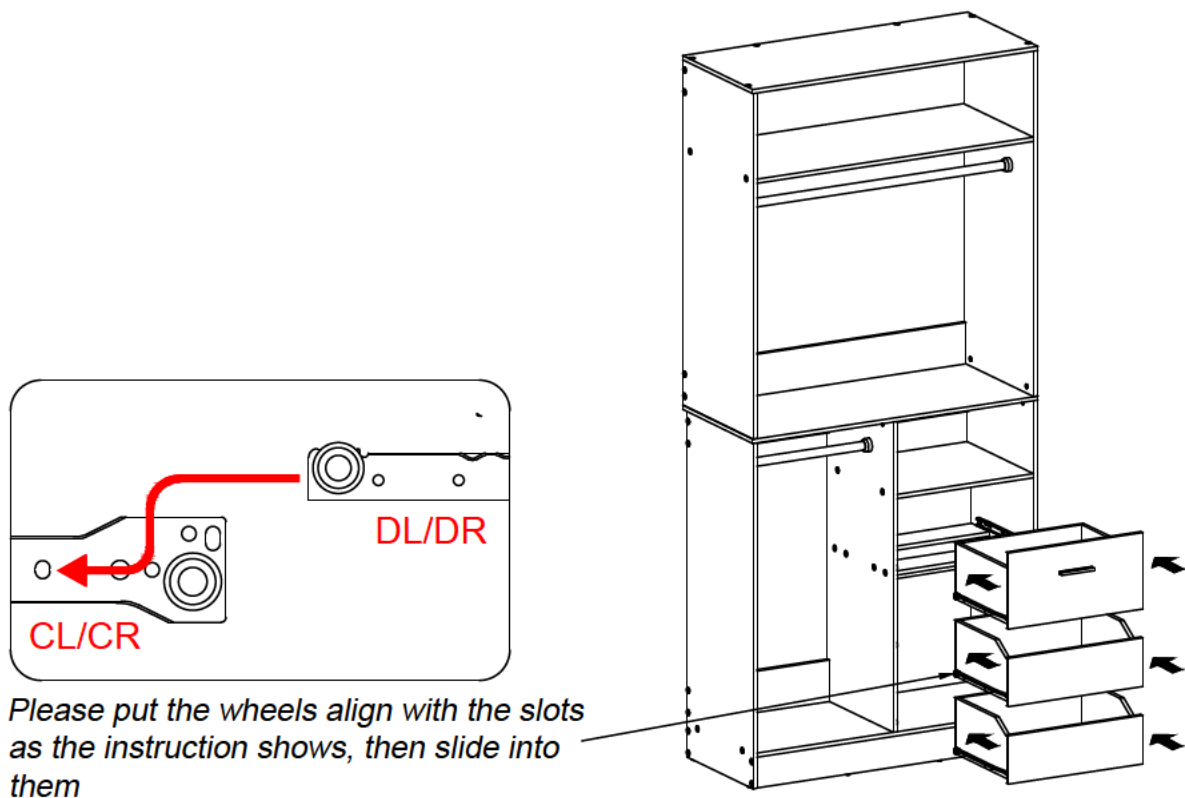
Please slide part ⑩ onto the rod part ⑨ with the threads facing outwards.



STEP 33



STEP 34



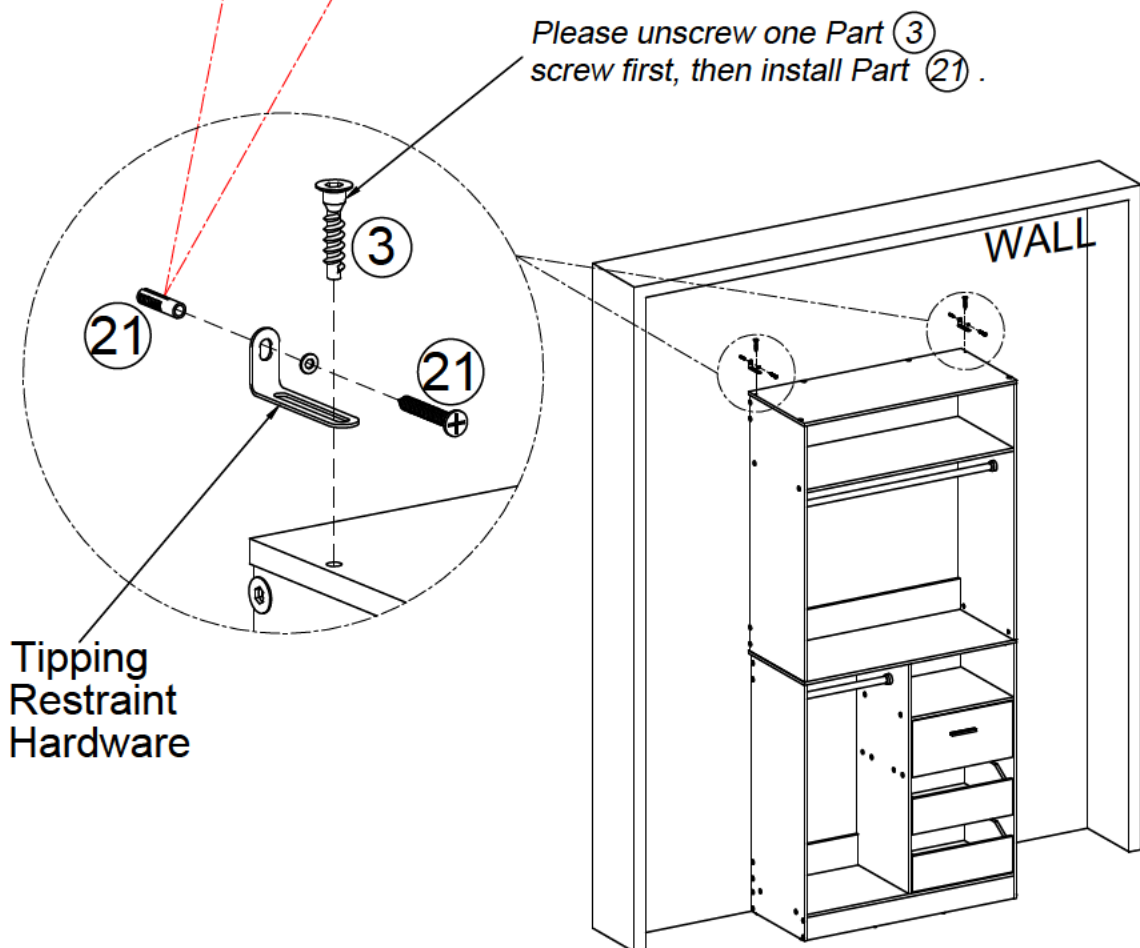
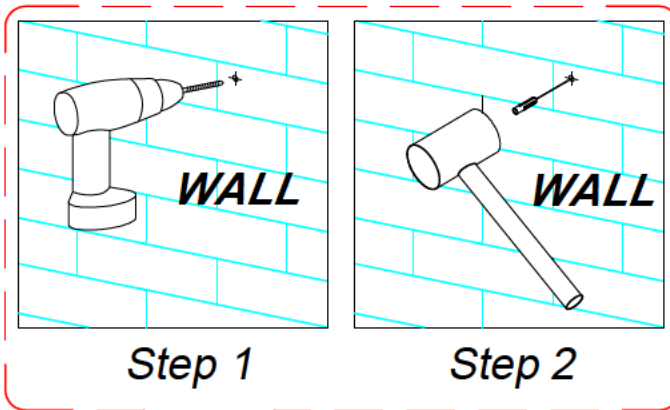
STEP 35

TIPPING RESTRAINT HARDWARE



Note: We have included two Tipping Restraint Hardware set for this Unit. When properly installed, this restraint can provide protection against the unexpected tipping of the Unit due to small tremors, bumps or climbing. We strongly recommend mounting this hardware to a wall stud and your Unit.

Note: You must install the Tipping Restraint Hardware with the unit in use to prevent any accidents or damage to the unit.



Tipping Restraint Hardware