

SHOWER STOOL USER MANUAL MODEL: CBS01



Zhongshan Sunneo Medical Instruments Co.,Ltd.
Add: No.11, 1st Licheng Road, Xiaolan Town, Zhongshan City,
Guangdong Province, China, 528414



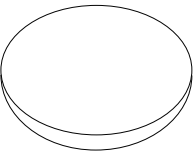
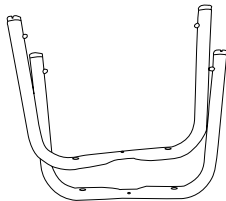
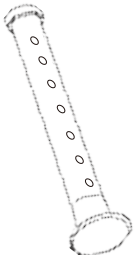

ABOUT US

We have focused on selling and manufacturing products for the elderly for many years. With our rich experience and reliable service, we are committed to making daily life more comfortable for the elderly.

ABOUT PRODUCT



PACKING LIST

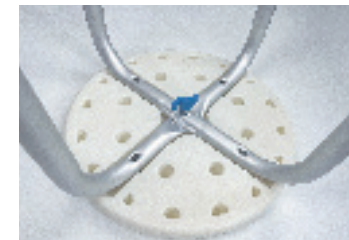
			
x1	x2	x4	x5

ASSEMBLY

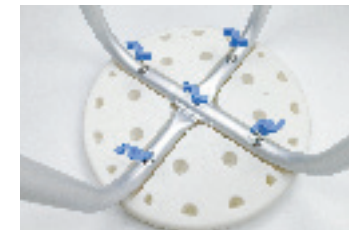
STEP 1 Put two U-shaped tubes on the board.



STEP 2 Align the washers with the middle hole, insert & tighten the screw.



STEP 3 Insert and tighten other screws.



STEP 4 Install the adjustable legs.

