

Assembly Instruction

1.0hr

APPROXIMATE ASSEMBLY TIME

2 PEOPLE ASSEMBLY

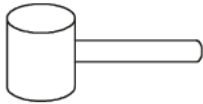


FLOOR AREA
1Mx1M



REQUIRED ASSEMBLY SPACE

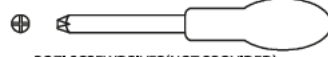
REQUIRED ASSEMBLY TOOLS



SOFT RUBBER HAMMER(NOT PROVIDED)



SLOTTED SCREWDRIVER(NOT PROVIDED)



POZZI SCREWDRIVER(NOT PROVIDED)

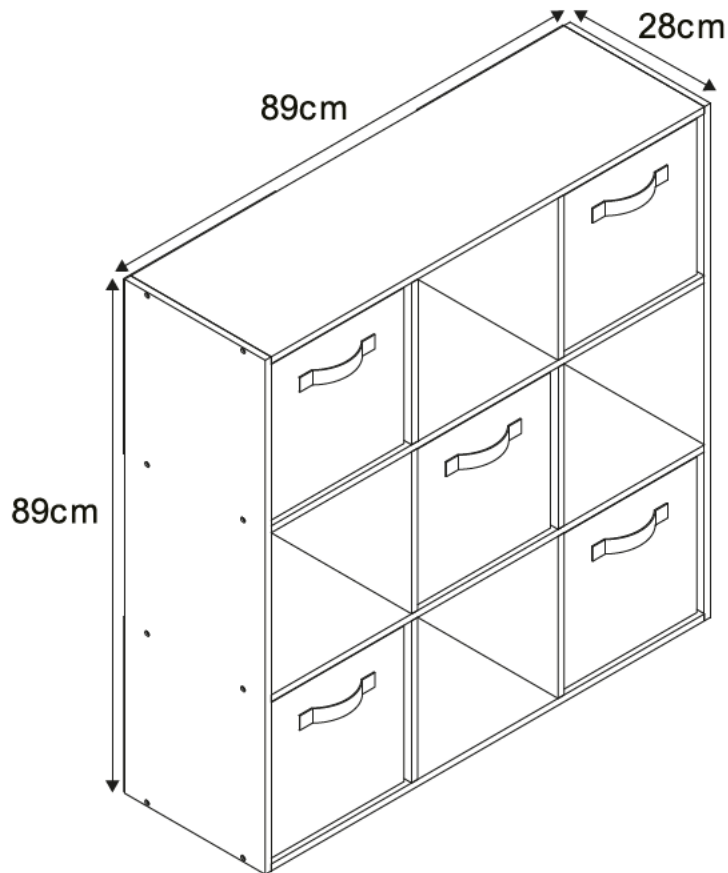


MEASURING TAPE(NOT PROVIDED)



ELECTRIC DRILL(NOT PROVIDED)

ASSEMBLED DIMENSIONS

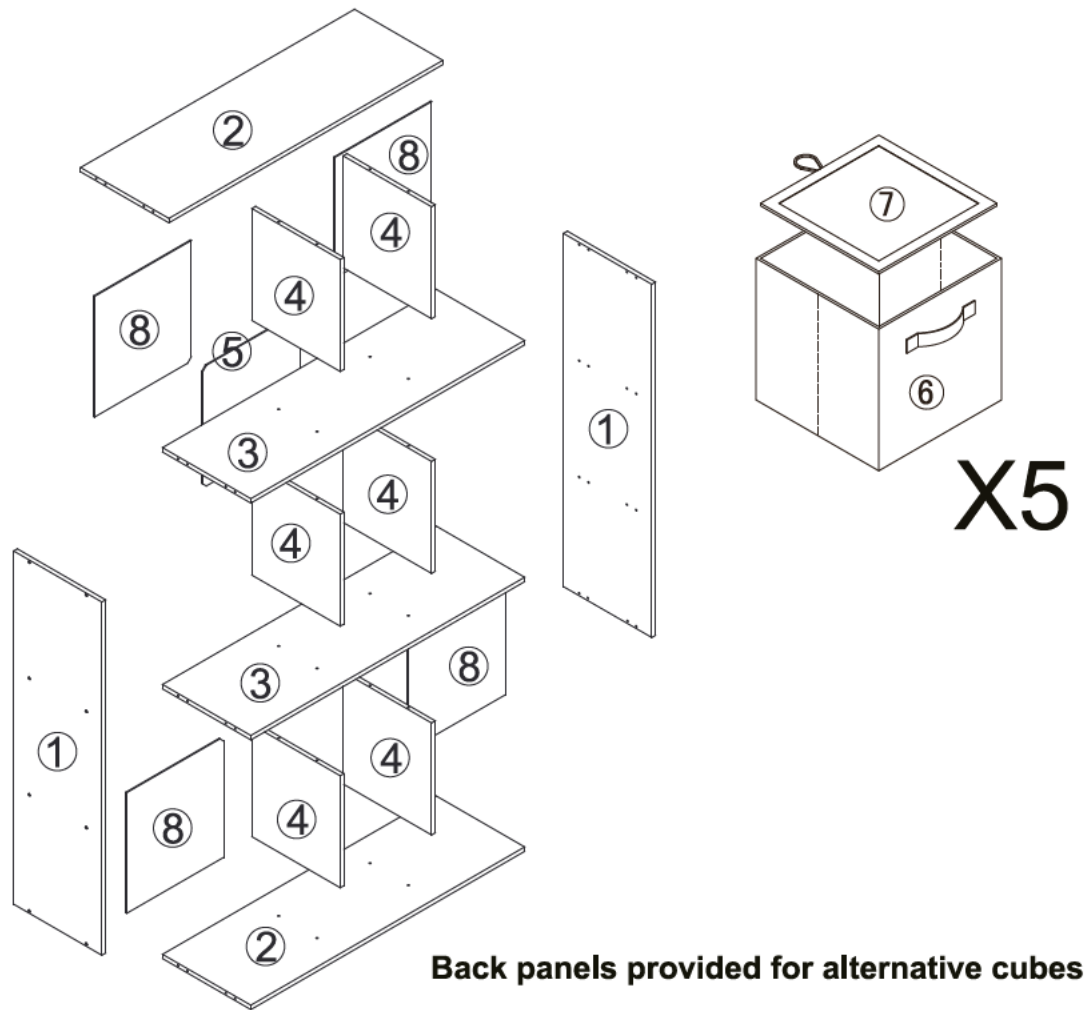


Max. Loading: 20kg

1-8

NO.	PART LIST	QTY	NO.	PART LIST	QTY
(1)	SIDE PANEL	2	(6)	NON-WOVEN BASKET	5
(2)	TOP AND BOTTOM PANEL	2	(7)	BOTTOM INSERT	5
(3)	INTERNAL SHELF	2	(8)	BACK PANEL	4
(4)	VERTICAL SHELF	6			
(5)	BACK PANEL	1			


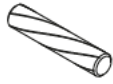






PART LIST



Max. Loading: 20kg

2-8

HARDWARE LIST

A	× 17	B	× 24	C	× 16	D	× 40	E	× 1
									
Dia.4x35mm		Dia.6x30mm							
SCREW		DOWEL		STICKER		BACK PANEL NAIL		ANTI-TIP STRAP	
F	× 1	G	× 1	H	× 8				
									
Dia.3x12mm				Dia.6x50mm					
SCREW		WALL PLUG		DOWEL					



Safety Advice and Care Advice

KEEP ALL THE SAFETY ADVICE AND INSTRUCTIONS IN A SAFE PLACE FOR FUTURE REFERENCE!

⚠ WARNING! RISK OF LOSS OF LIFE OR ACCIDENT TO INFANTS AND CHILDREN! Never leave children unsupervised with the packaging materials. Danger of suffocation.

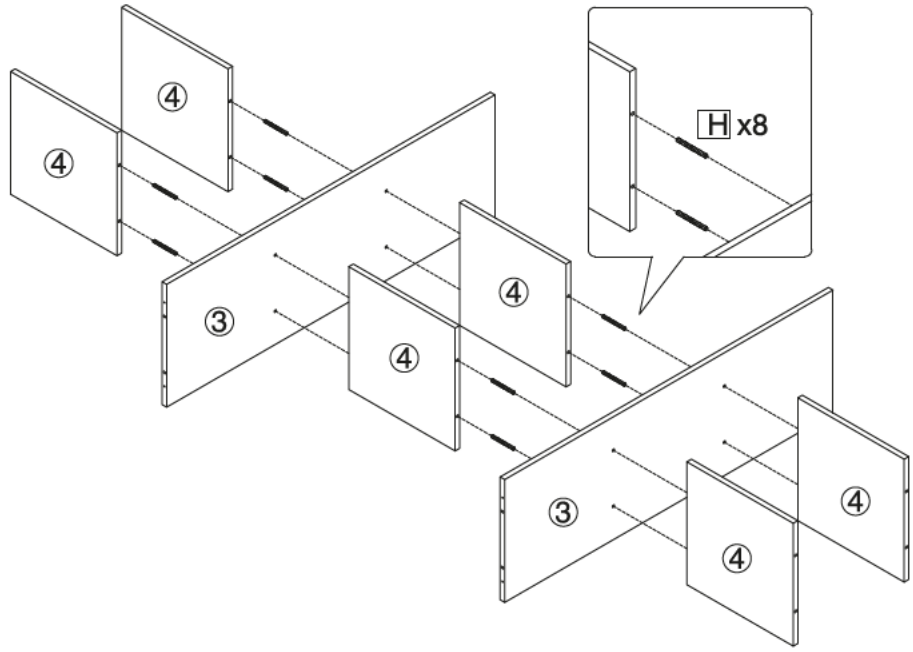
⚠ CAUTION! RISK OF INJURY! Make sure that all parts are undamaged and assembled correctly. Improper assembly carries a risk of injury. Damaged parts may affect the safety and function of the product.

- Make sure that this product is standing on a solid, level surface.

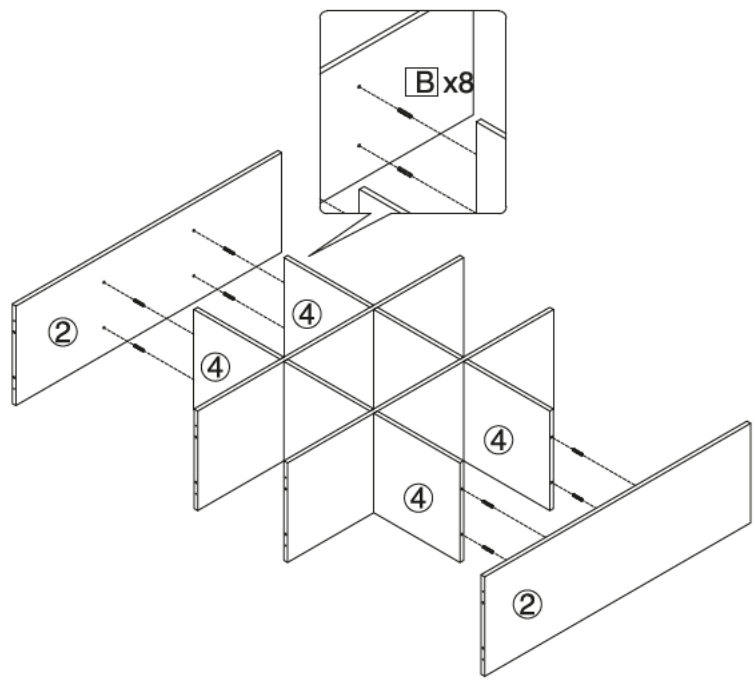
⚠ CAUTION! Do not leave children unsupervised! The product is not a climbing frame or a toy! Make sure that nobody, especially a child, climbs on or leans against the product.

- Distribute weight evenly across the product so that it cannot overturn.
- Do not load more than a total of 20kg onto the product, otherwise there is a risk of injury and/or damage to the product.
- Check that the product is stable before using it.
- Do not lift or move the product when it is loaded.
- Keep away from fire and inflammable objects.
- **Wipe clean with a damp cloth.**
- Make sure that all screws and fixings are secure before use.
- Do not place very hot or very cold items on the surface(s) unless adequately thick table mats are used.
- Please periodically check all fittings and re-tighten as necessary.
- Domestic use only.

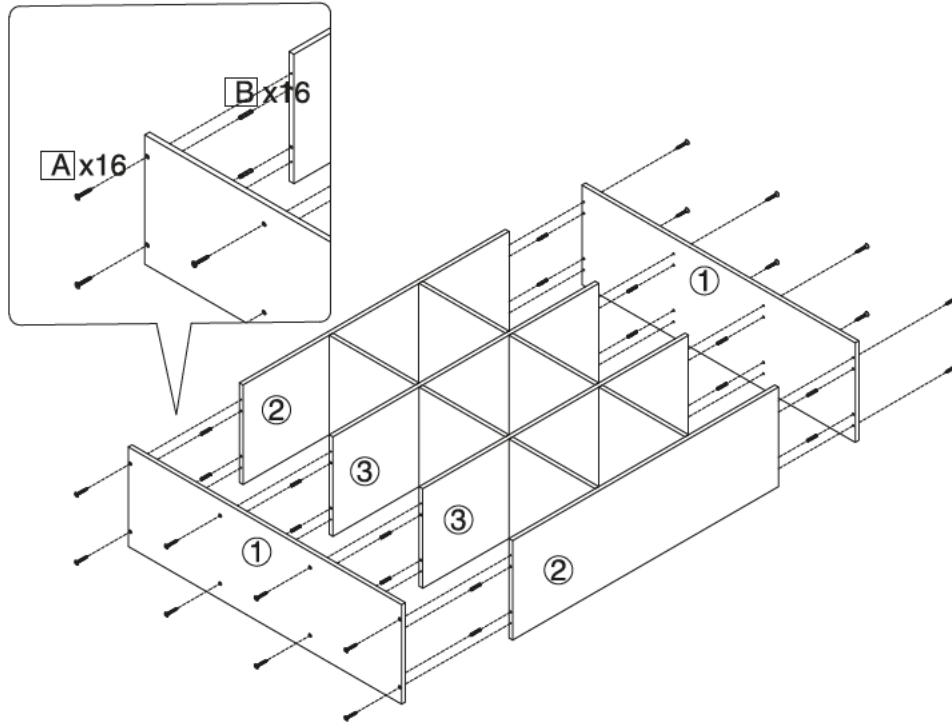
STEP 1



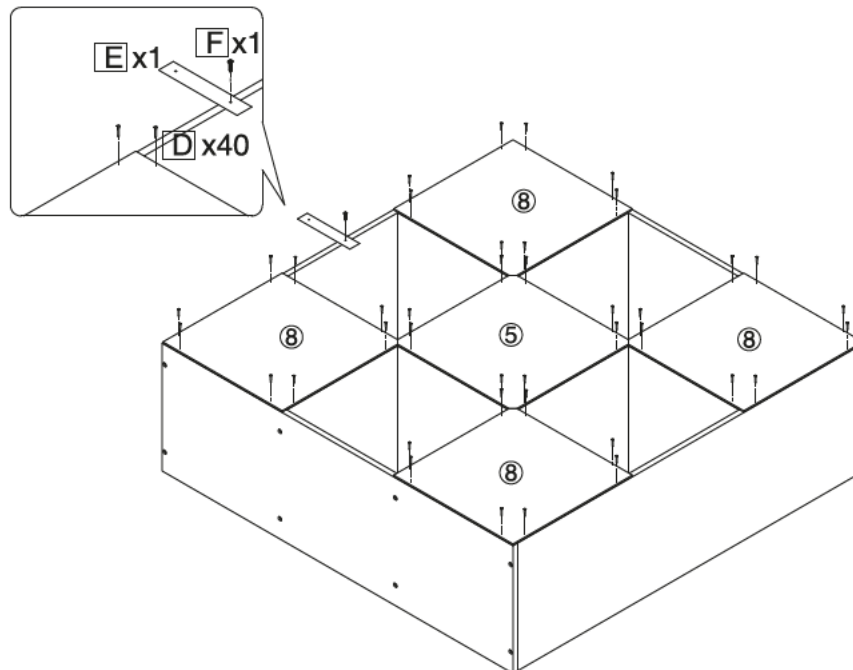
STEP 2



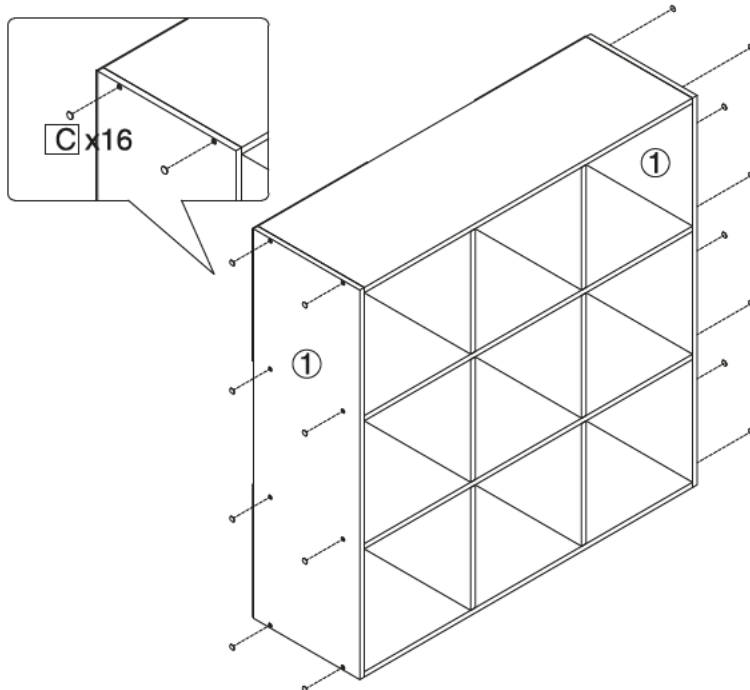
STEP 3



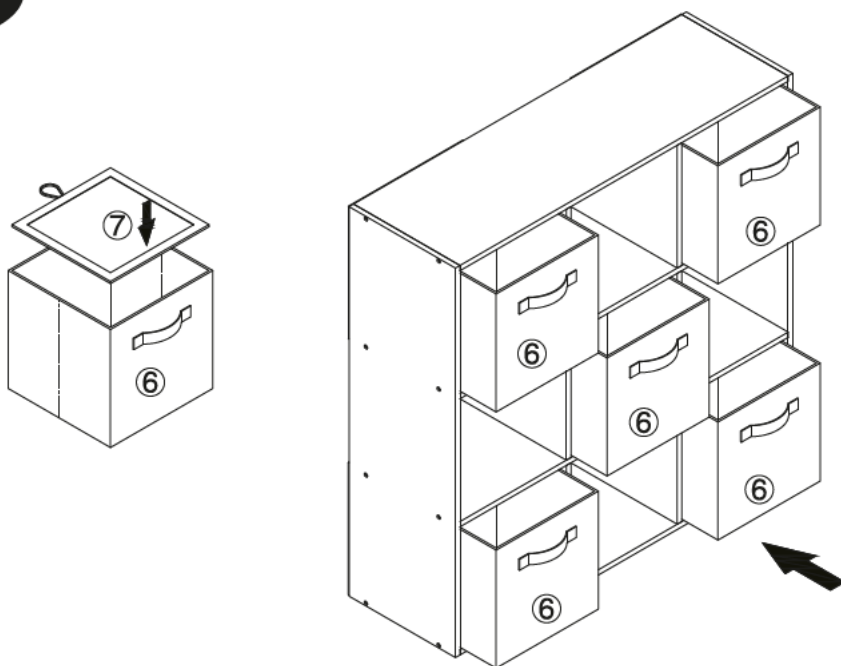
STEP 4



STEP 5



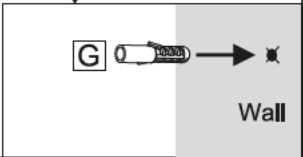
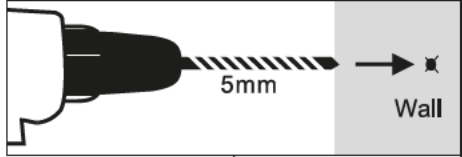
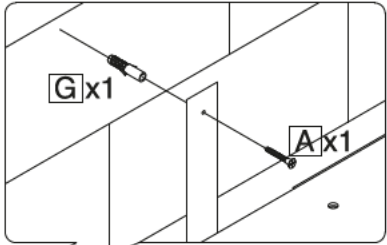
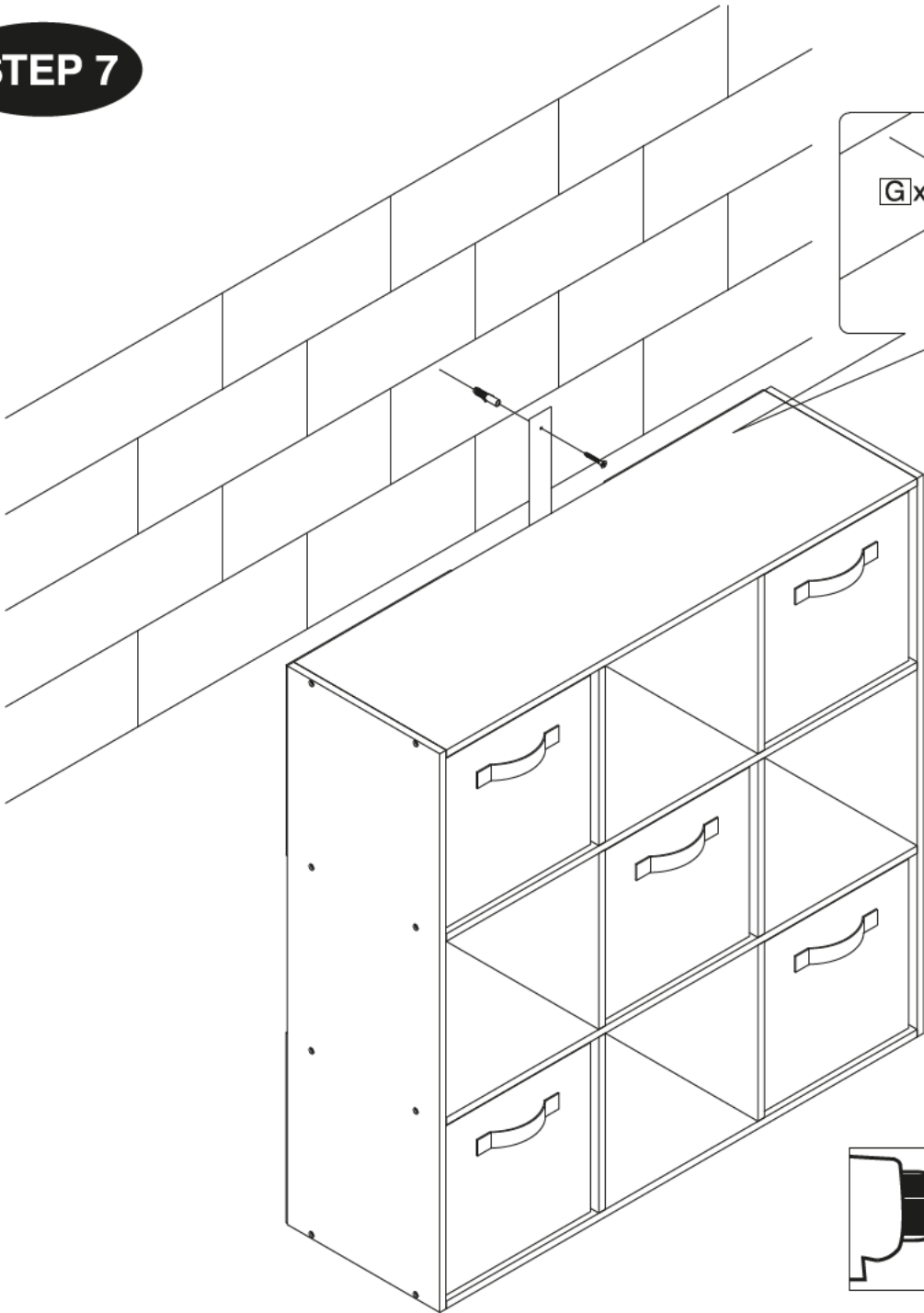
STEP 6



Max. Loading: 20kg

7-8

STEP 7



Max. Loading: 20kg