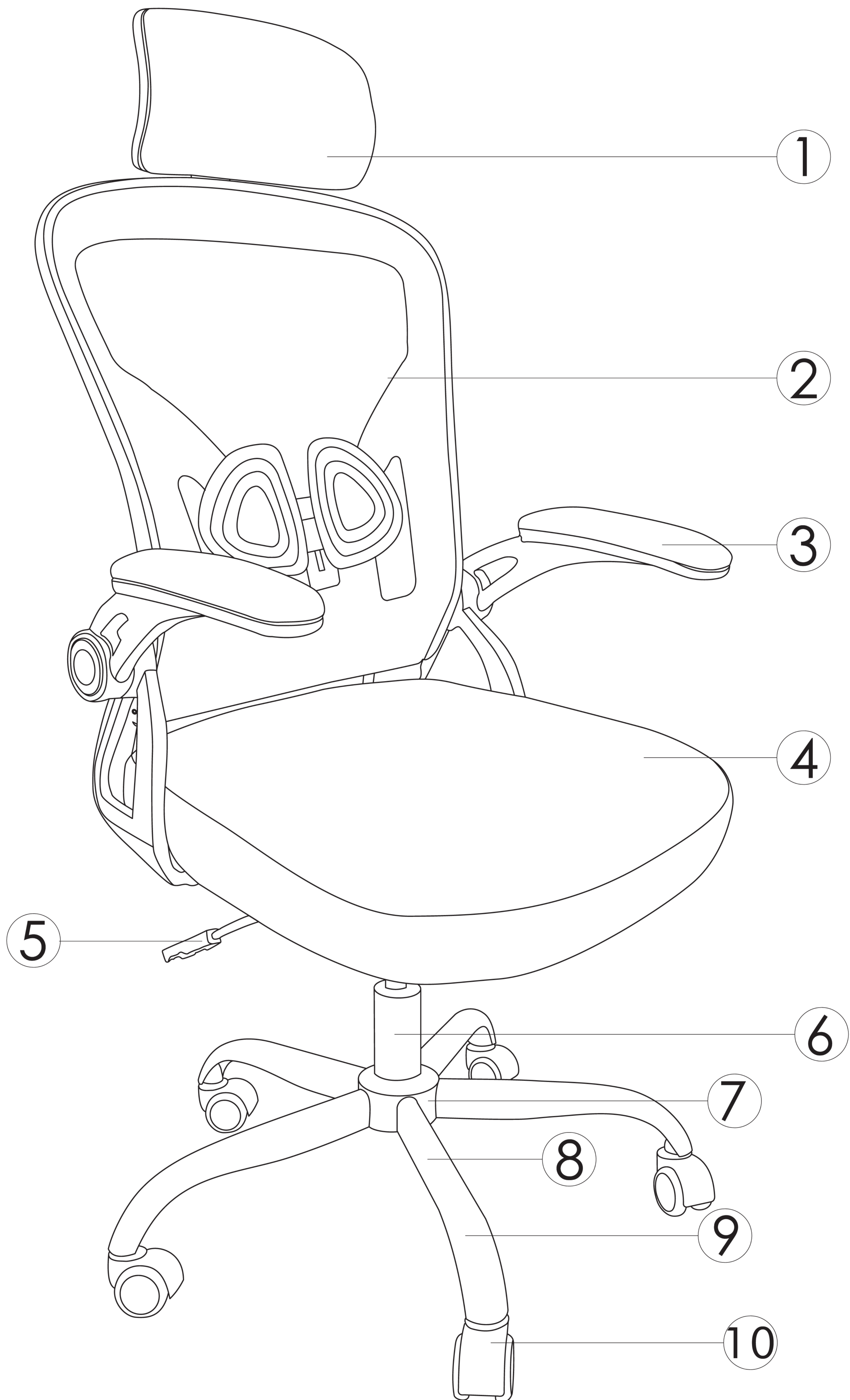


Assembly Manual

Office Chair



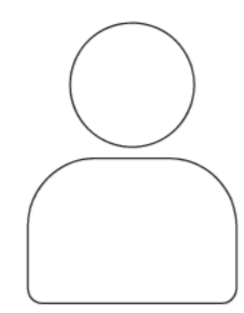
Exploded View



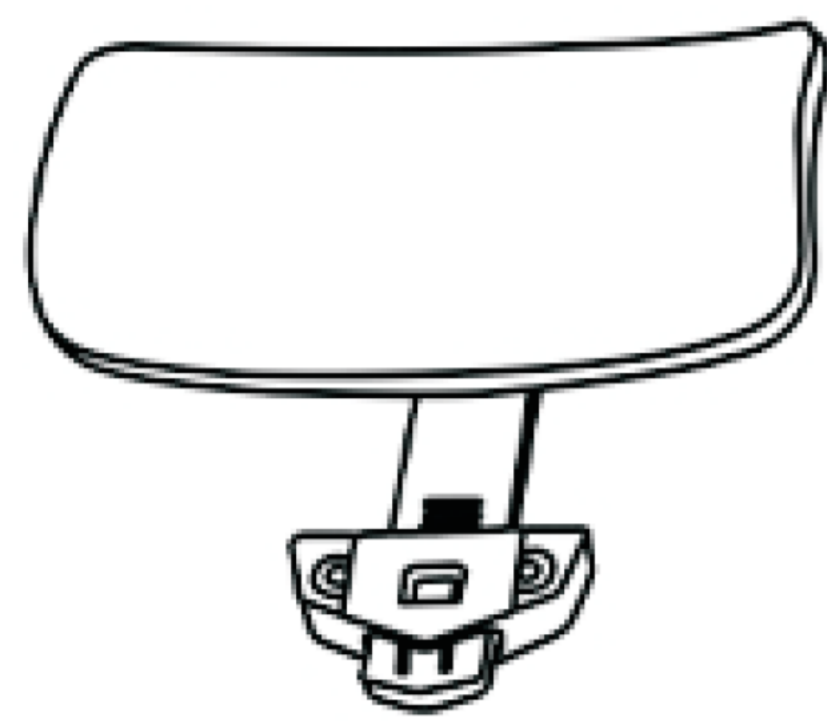
Components List

10 min

Assembly Time

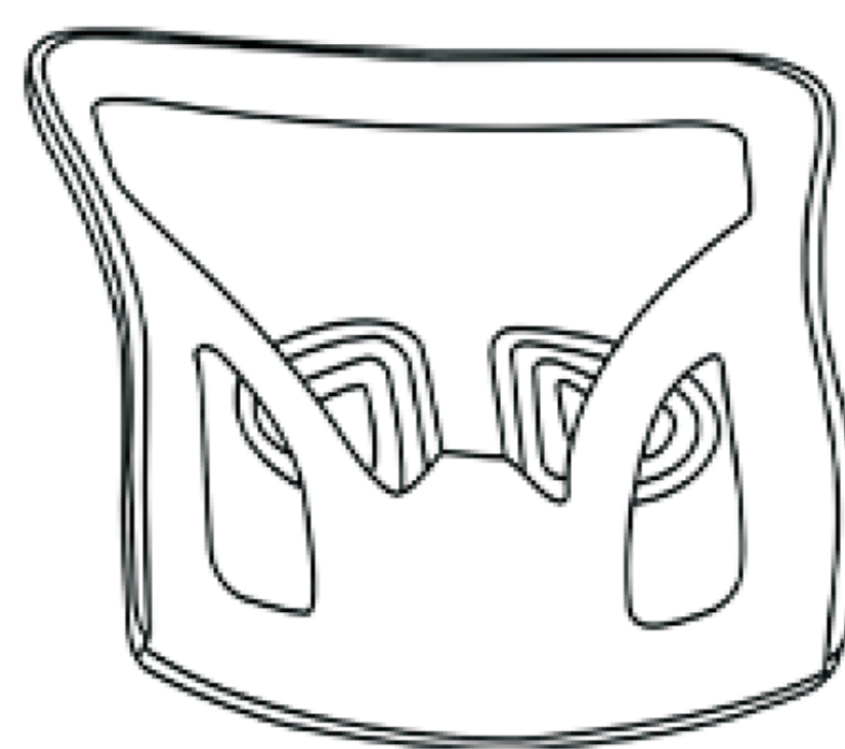


One People



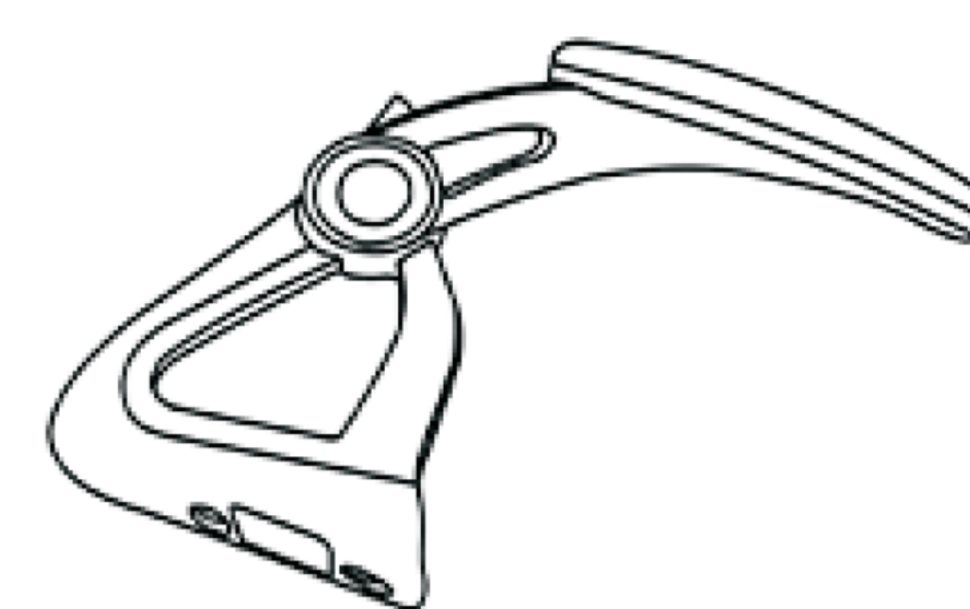
1

Headrest (x1)



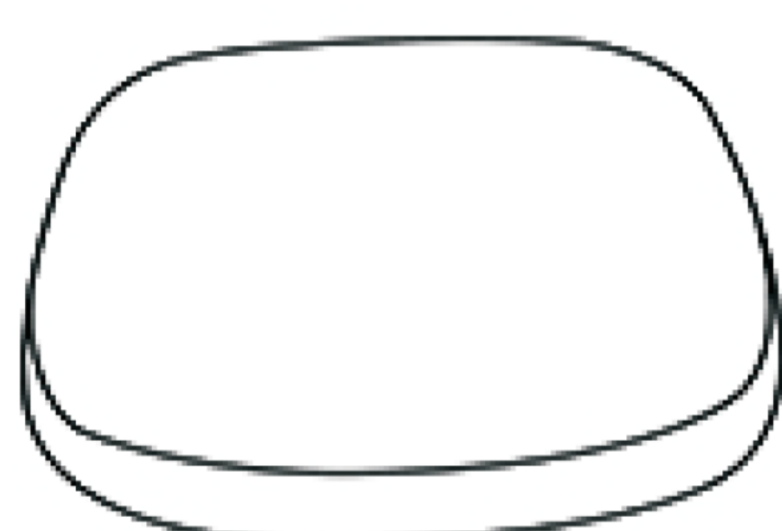
2

Backrest (x1)



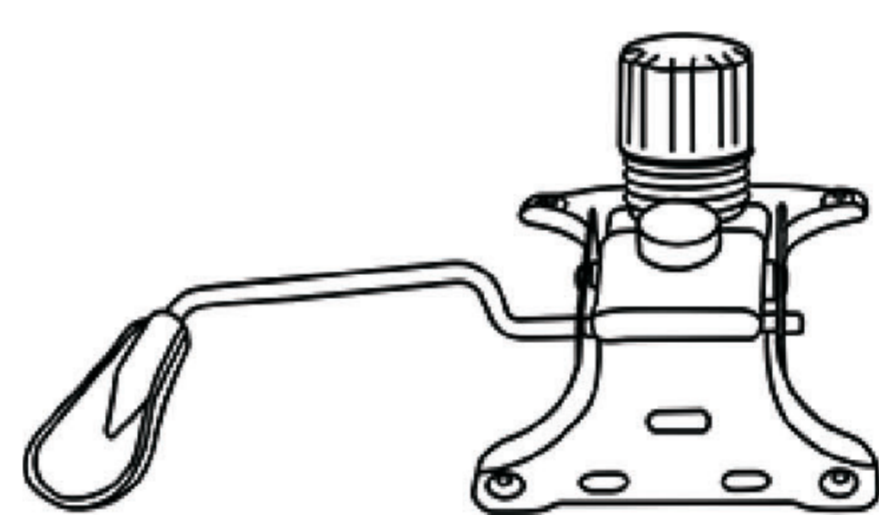
3

Armrest (x2)



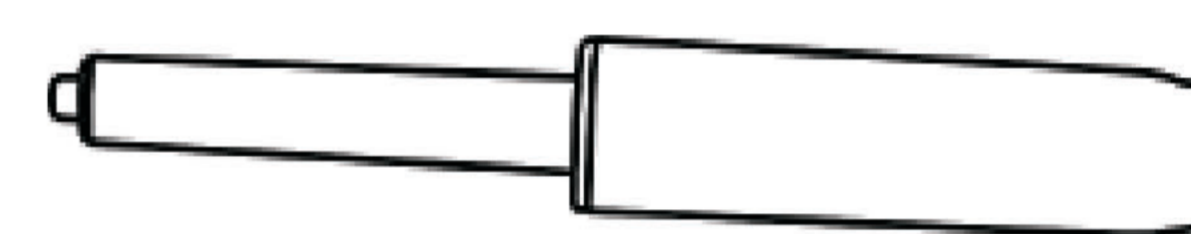
4

Seat (x1)



5

Mechanism (x1)



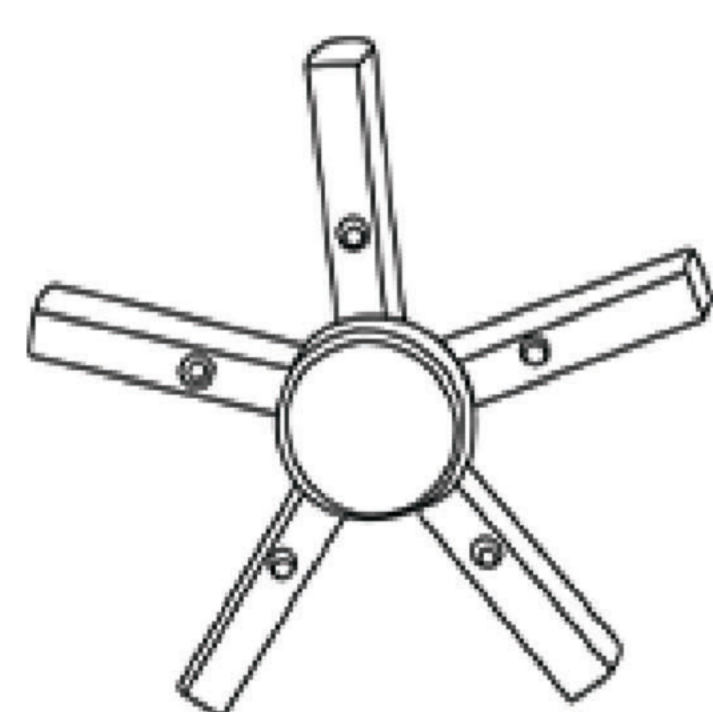
6



7

6 Gas lift (x1)

7 Cover (x1)



8

Base (x1)



9

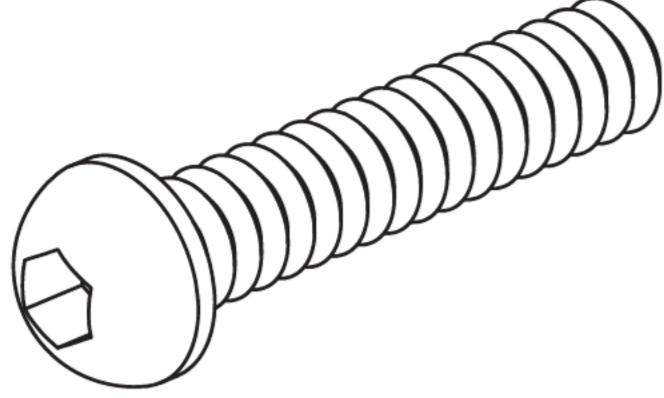
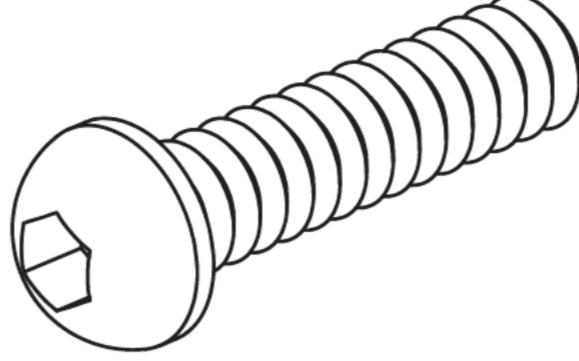
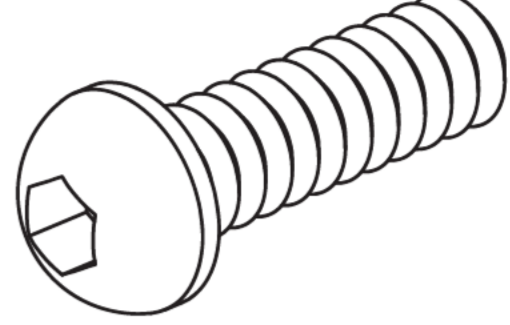
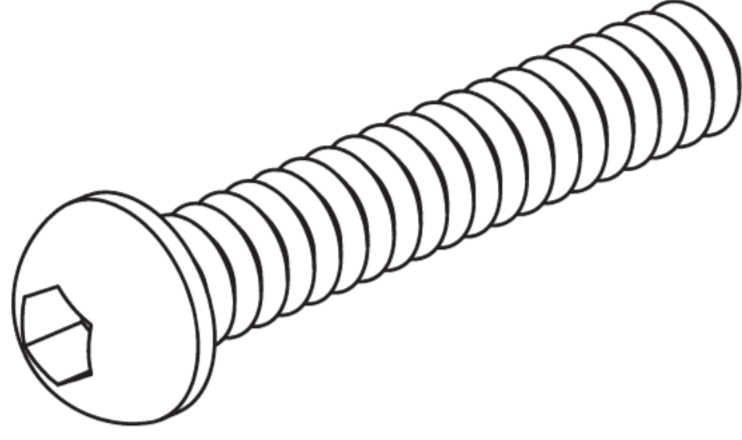
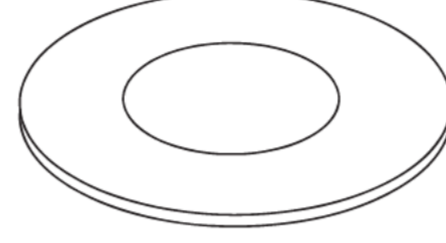

Leg (x5)



10

Wheel (x5)

Components list

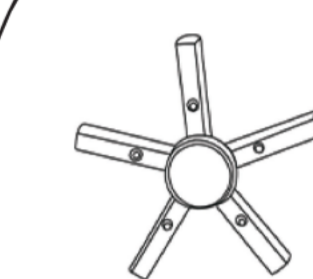
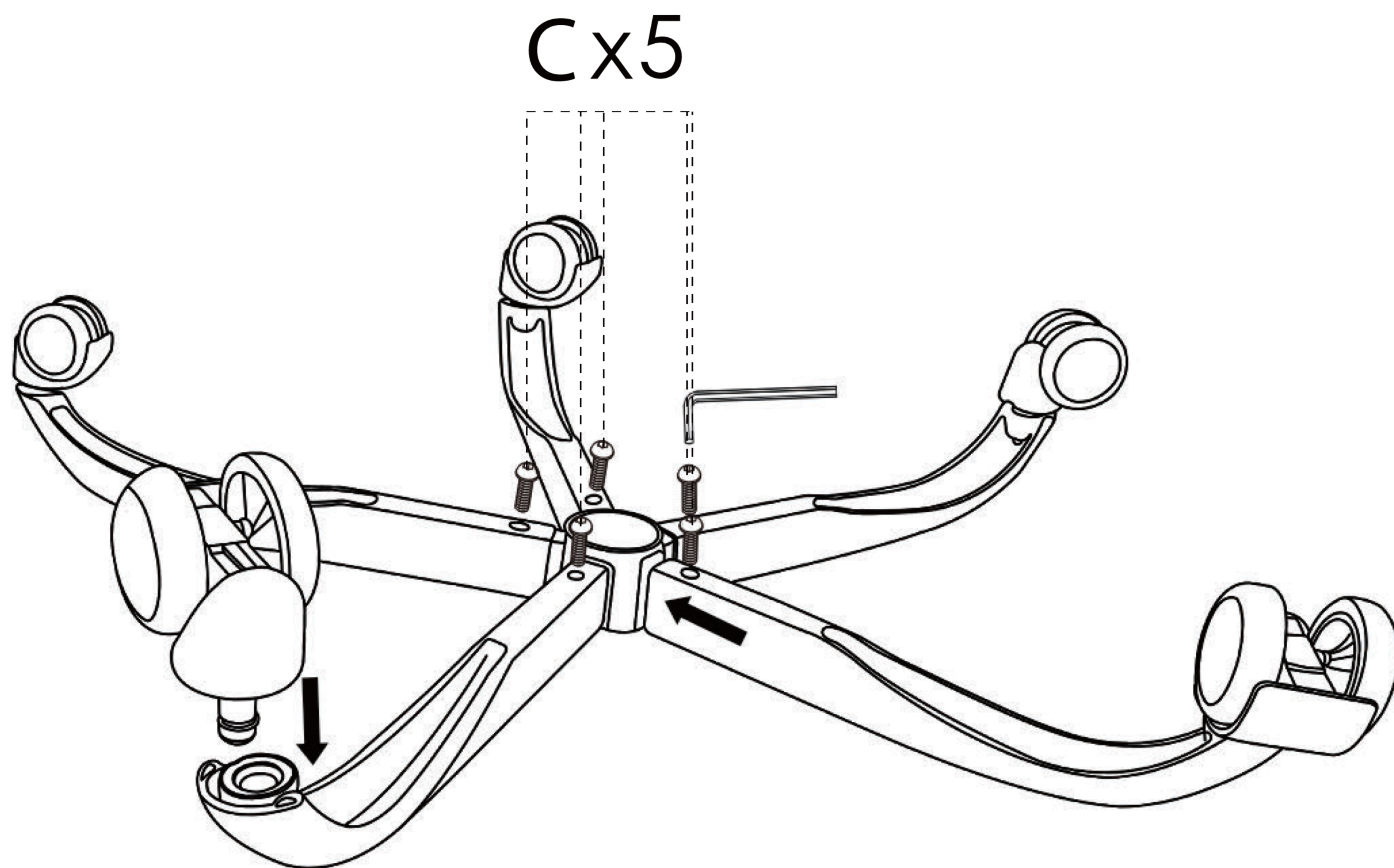
| | | | | | | | | |
|---|---------|-----|--|---------|-----|---|---------|-----|
| A | | | B | | | C | | |
|  | | |  | | |  | | |
| Bolt | M6 x 25 | 2+1 | Bolt | M6 x 20 | 4+1 | Bolt | M6 x 16 | 5+1 |
| D | | | E | | | F | | |
|  | | |  | | |  | | |
| Bolt | M6 x 30 | 8+1 | Washers | M8 x 17 | 8+1 | Allen wrench | | 1 |

Note: The number after “+” sign indicates the extra piece(s).

Assembly Instruction

STEP 1

Attach legs(9) to base(8) using bolts(C) and Allen wrench(F). Press the casters into the holes at the end of each leg.



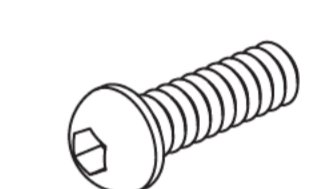
8 * 1



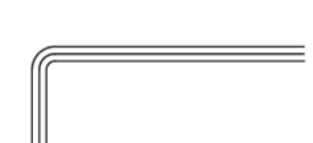
9 * 5



10 * 5



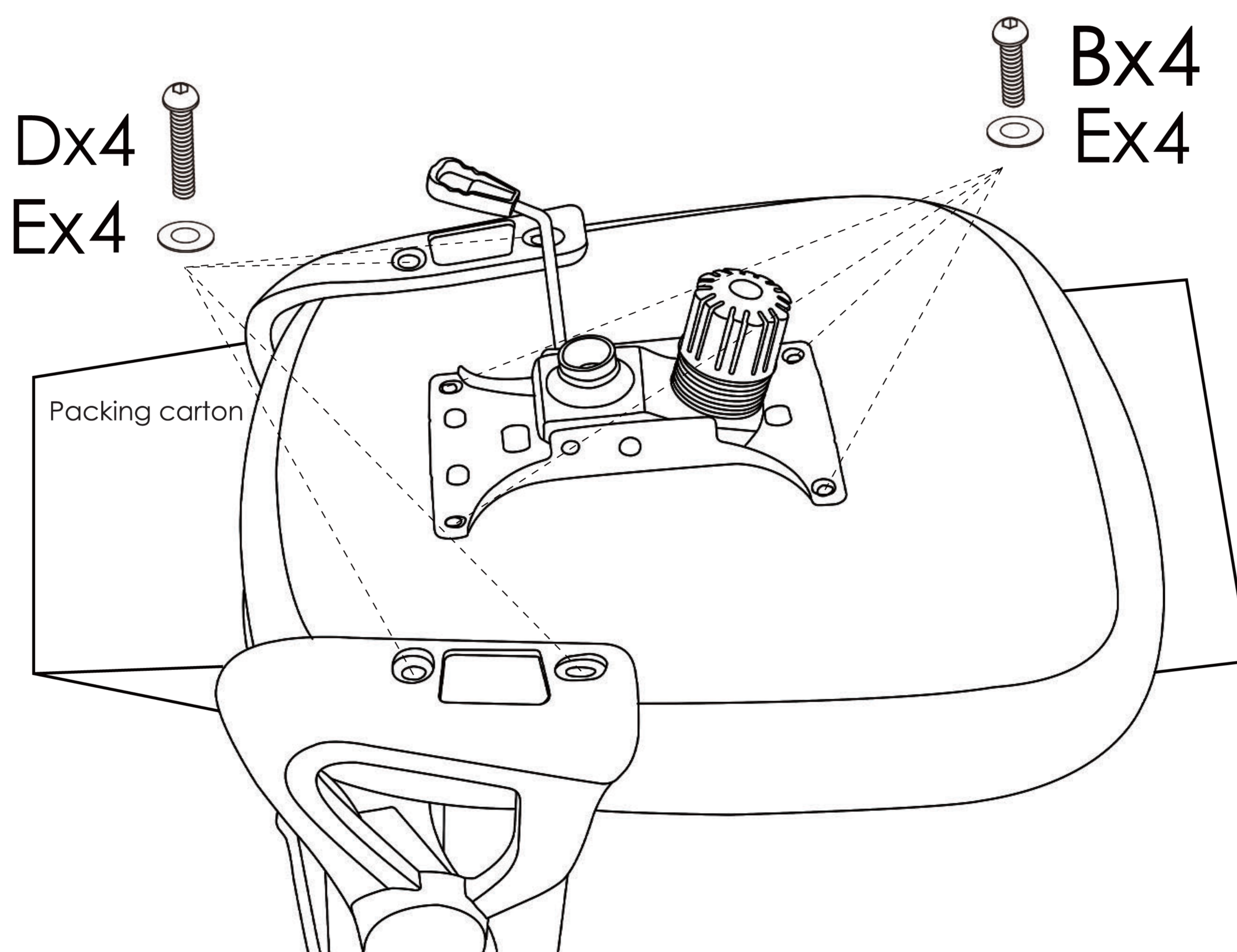
C * 5



F * 1

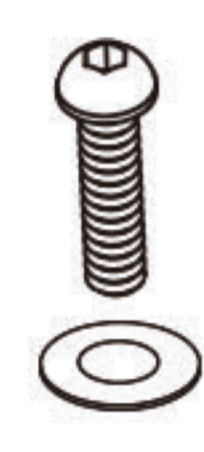
STEP 2

Place the seat cushion(4) on the packing carton for easier assembly. Attach armrests(3) to the seat cushion using bolts(D) and Allen wrench(F). Then Attach mechanism(5) to the seat cushion using washers(E), bolts(B) and Allen wrench(F). Do NOT fully tighten the bolts until all of them are in the right holes. This will allow you slight adjustments to the positions during the assembly.



Dx4

Ex4



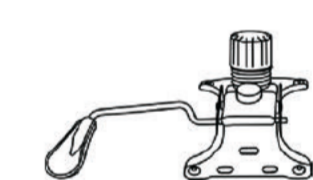
Bx4

Ex4

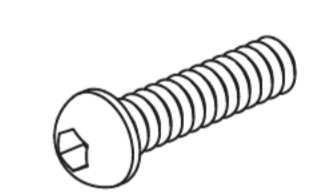
Packing carton



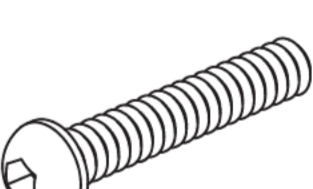
4 * 1



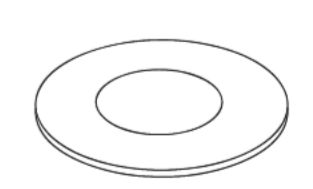
5 * 1



B * 4



D * 4



E * 8

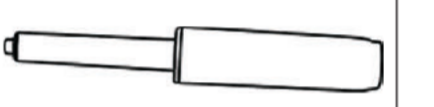
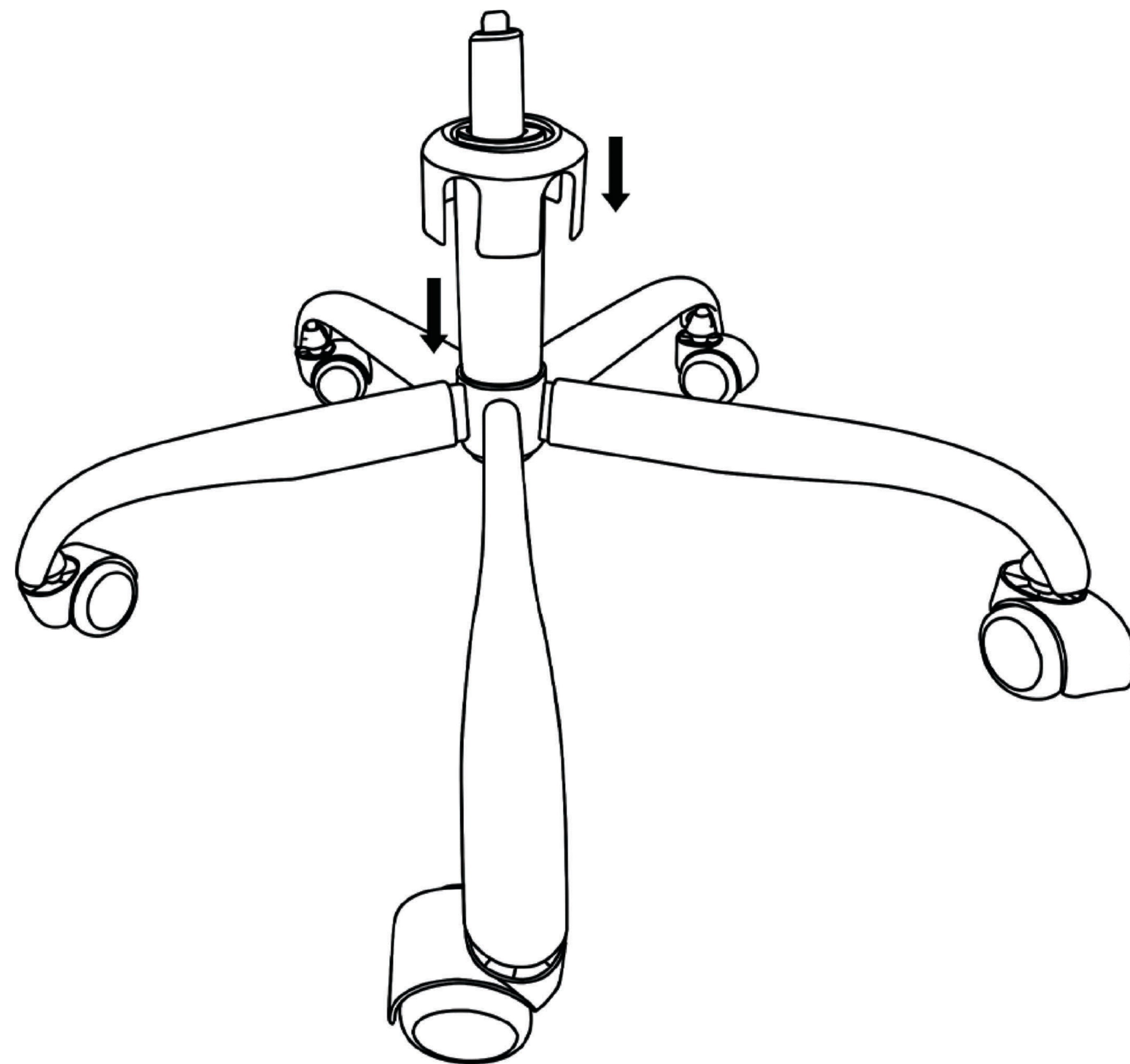


F * 1

Assembly Instruction

STEP 3

Insert the bottom end of the gas lift into the center hole of the base. Place the cover over the base as shown below.



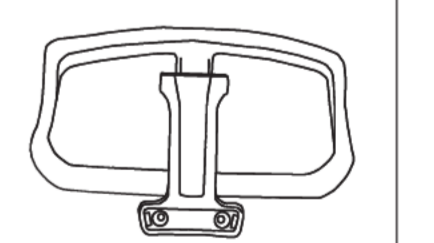
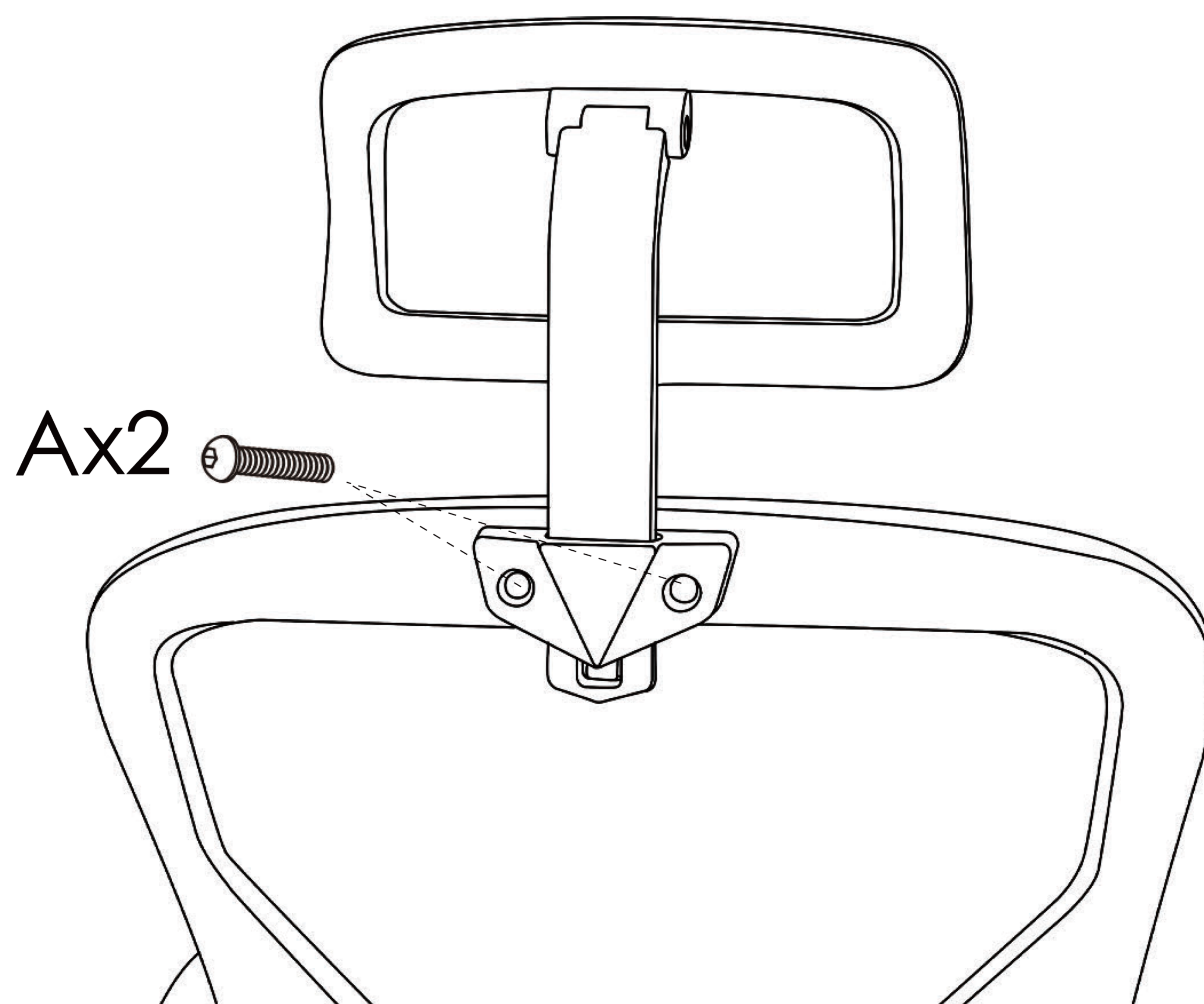
6 * 1



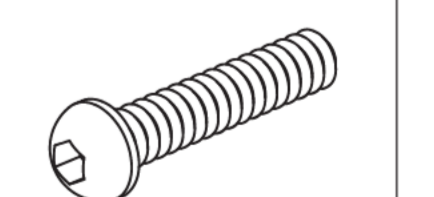
7 * 1

STEP 4

Attach headrest(1) to the backrest using bolts(A) and Allen wrench(F). Do NOT fully tighten the bolts until all of them are in the correct holes. This will allow you to make slight adjustments to the positions during assembly.



1 * 1



A * 2

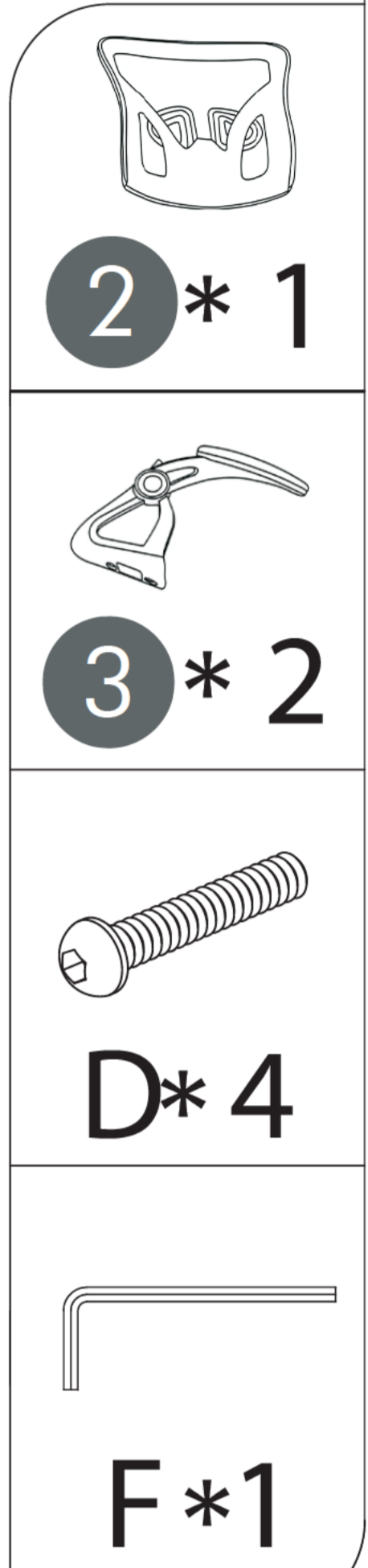
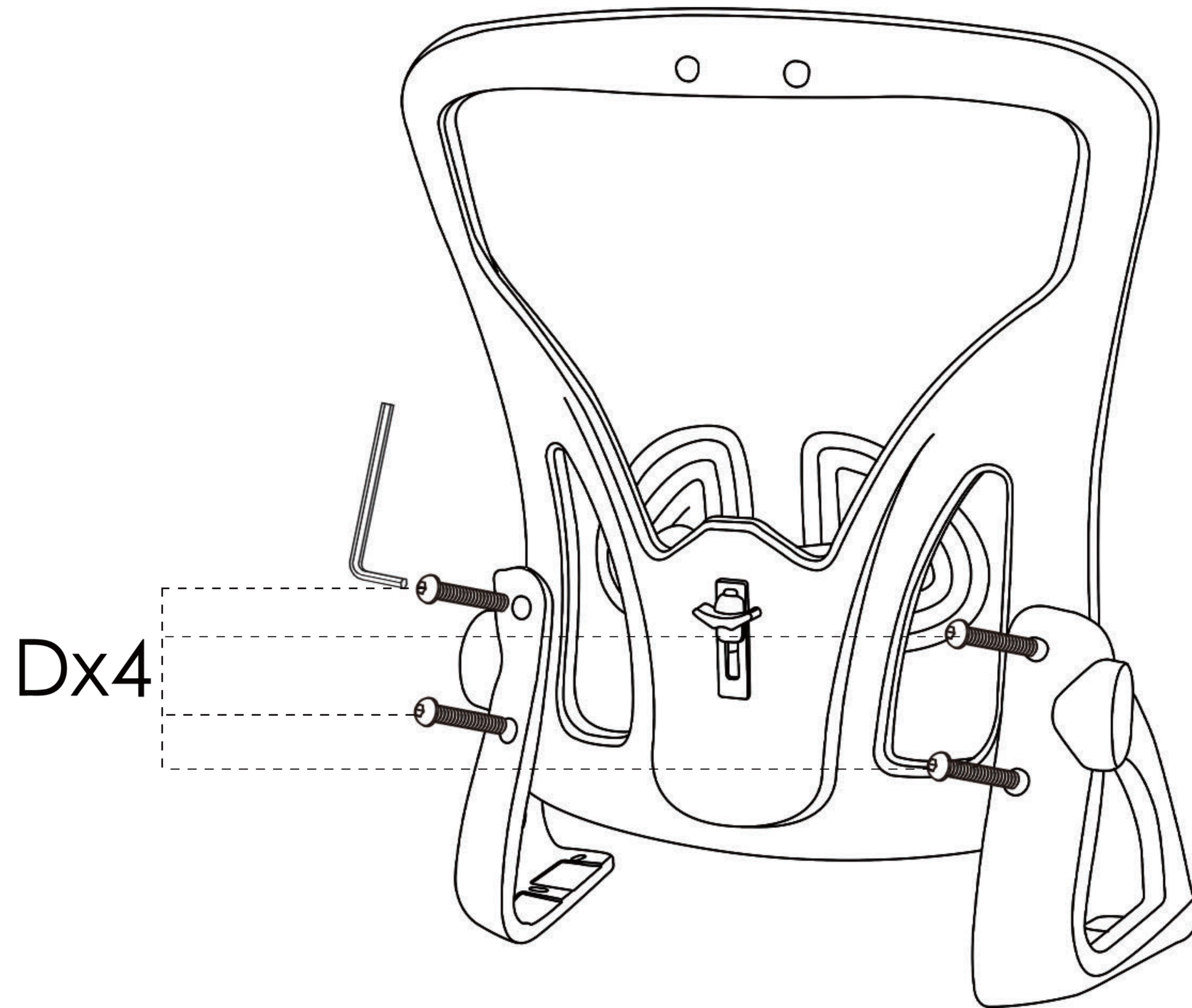


F * 1

Assembly Instruction

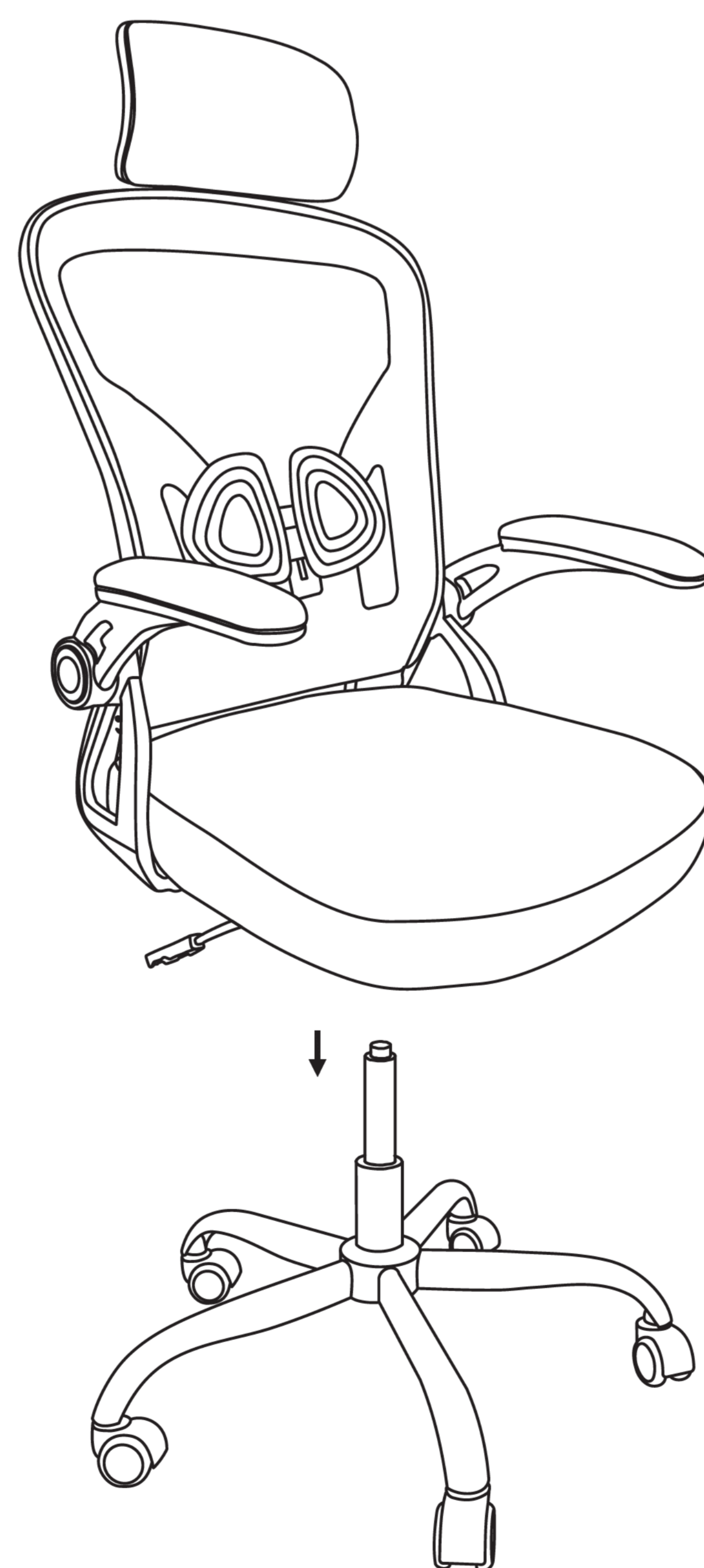
STEP 5

Attach armrests to the backrests using bolts(D) and Allen wrench(F).
Do NOT fully tighten the bolts until all of them are in the correct holes.
This will allow you to make slight adjustments to the positions during assembly.



STEP 6

Now turn the assembled seat upright and locate the center hole of the mechanism over the gas lift. Push down firmly until the connection is secure.



Done!