
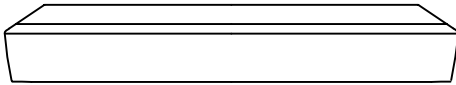
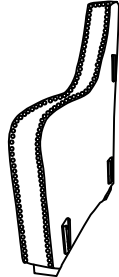





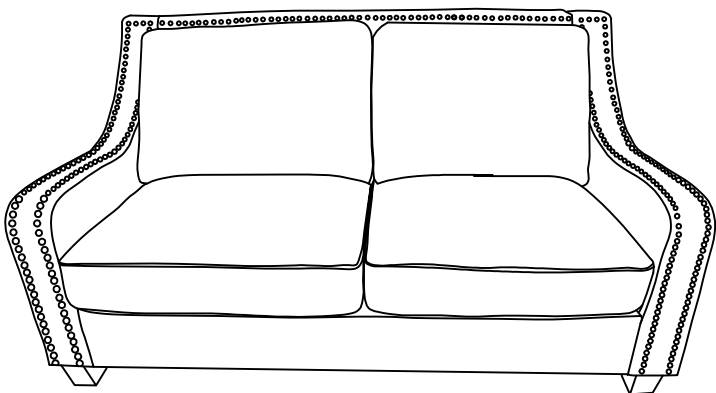
# ASSEMBLY INSTRUCTION

## NAILHEAD LOVE SEAT

---

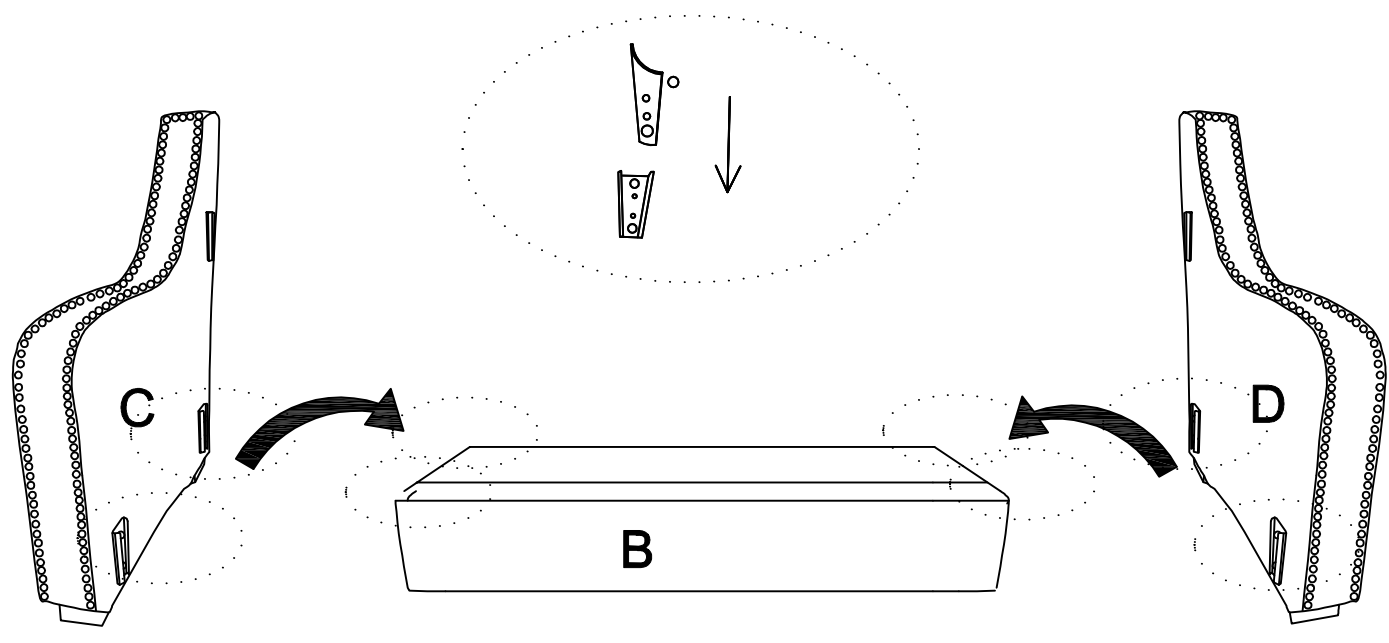
<b>A</b> BACK FRAME  1pc	<b>B</b> SEAT FRAME  1pc	<b>C</b> LEFT PANEL  1pc
<b>D</b> RIGHT PANEL  1pc	<b>E</b> SEAT CUSHION (Underneath the seat frame)  2pcs	<b>F</b> BACK CUSHION  2pcs

---

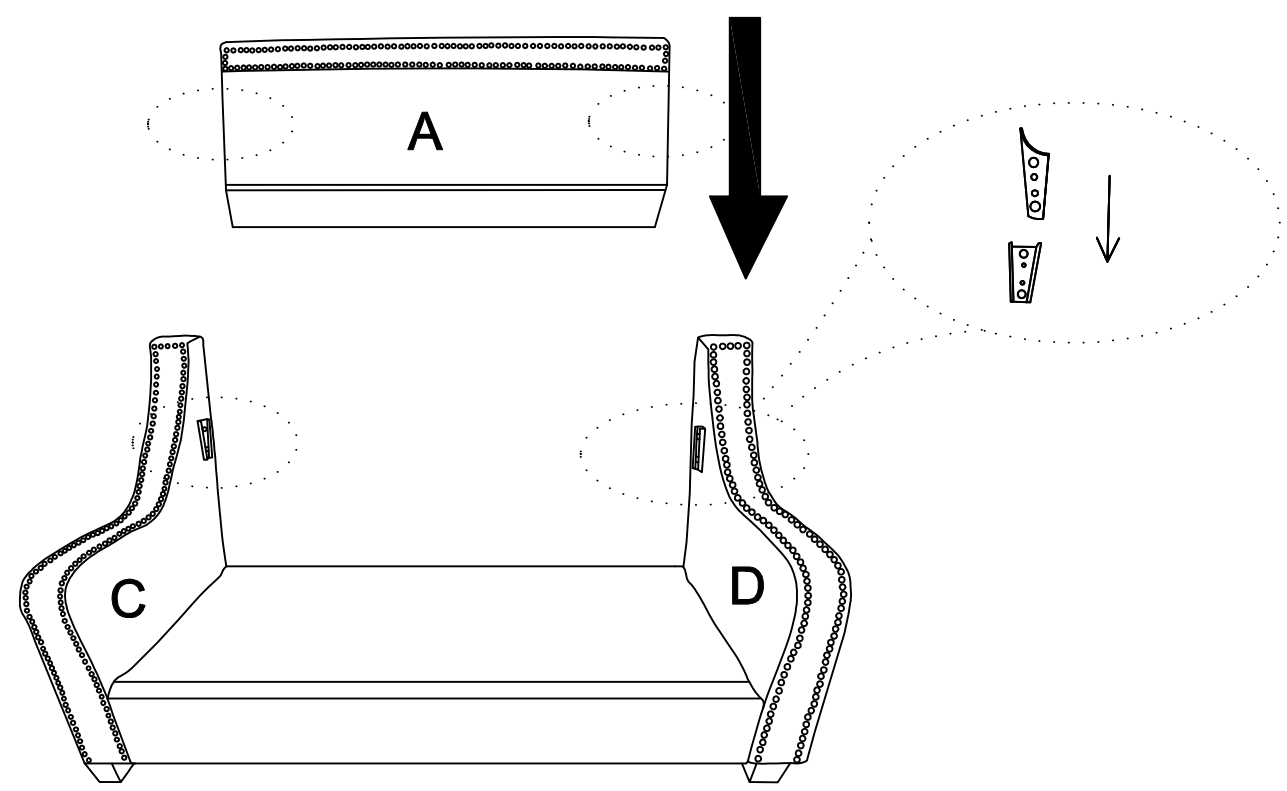


This page lists all the contents included in the box. As you unpack and prepare for assembly, place the contents on a carpeted or padded area to protect them from damage.

**1** Take out Seat Cushion (E) from Seat Frame (B) ,  
Hook on the Left Panel(C) & Right Panel(D) to the Seat  
Frame(B) properly .

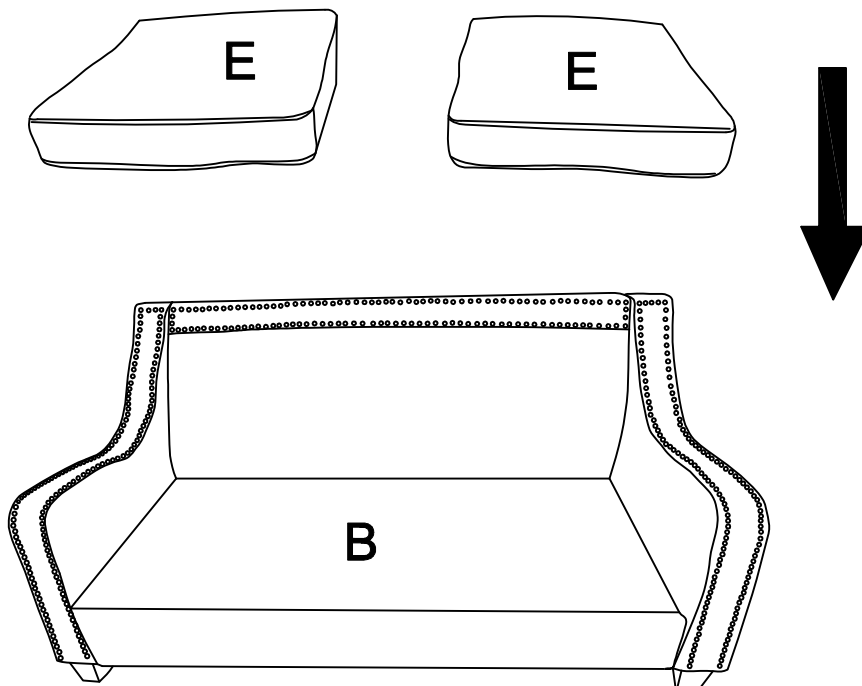


**2** Hook on the Back Frame(A) to the Left Panel(C) & Right  
Panel(D) properly .



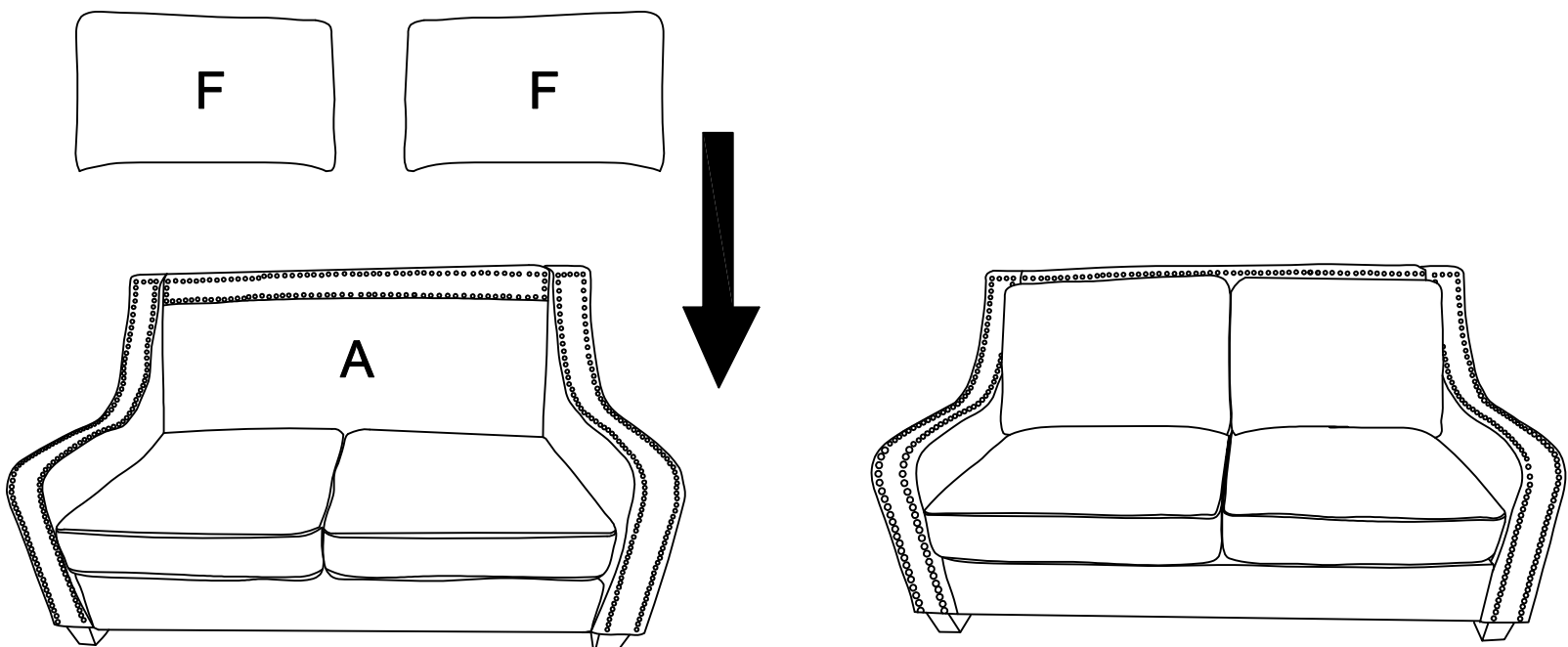
---

**3** Put the Seat cushion(E) on Seat Frame(B) .



---

**4** Put the Back Cushion(F) on Back Frame(A), the assembly is completed .



---

## Cleaning & Care

Treat surface with care, Surface is reslstant to scratches but is not scratch resistant, Clean surfaces with a dry or damp soft cloth. Do not use abraslvecleaners. Hardware may loosen over time. Periodlclally check that all connectlons are tlight .