

Features

- With overflow.
- Modern design.

Material

- Matte black ceramic bathroom sink.

Installation

- Wall mount installation.
- Vessel / above-counter installation.

Configurations

- Two Hole.
- Six Hole (8-inch centers).



Certifications/Codes

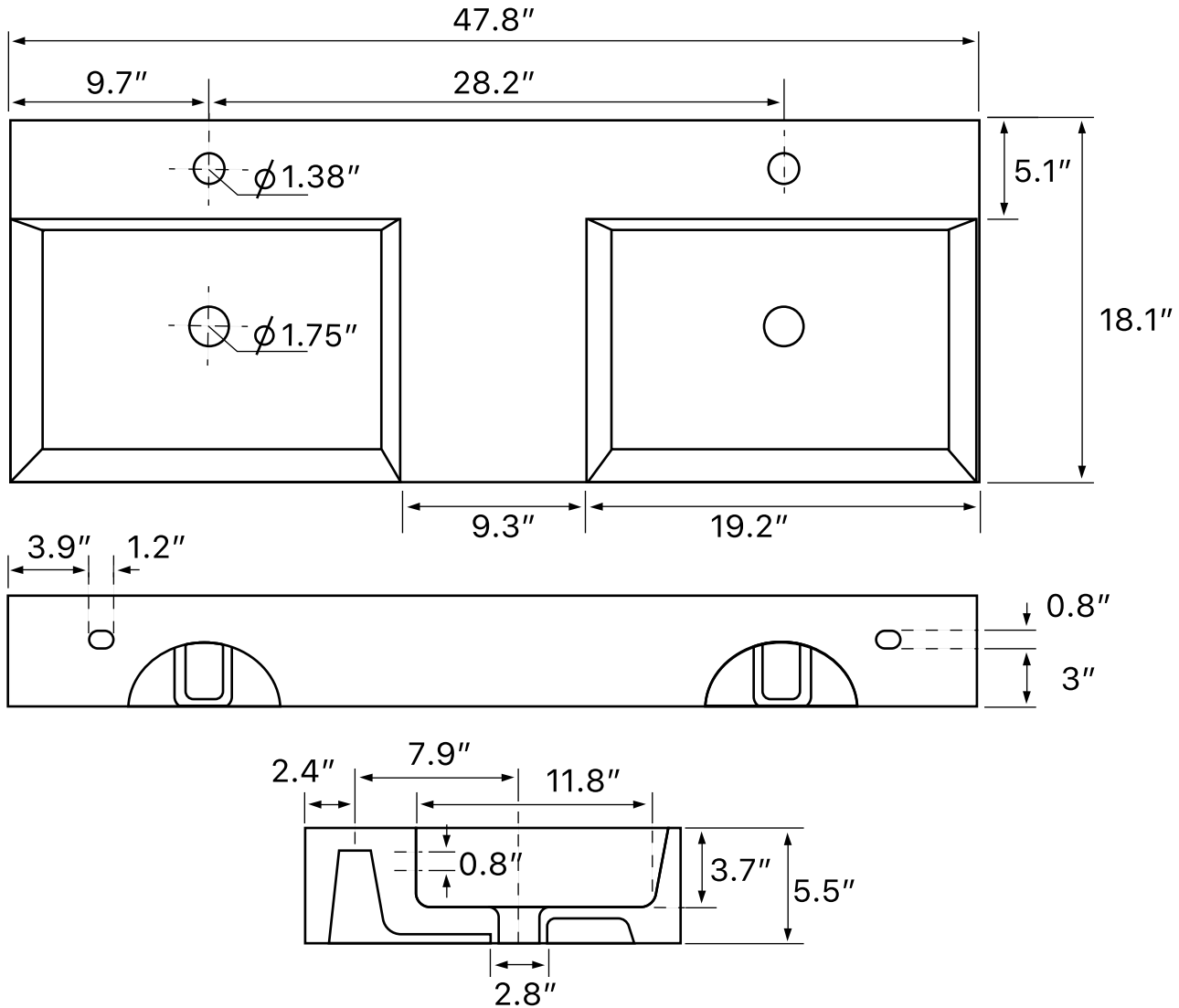
IAPMO Certified
US Standards Approved
Uniform Plumbing Code (UPC/cUPC)
National Plumbing Code of Canada
ASME A112.19.2-2018/CSA B45.1-18

Nameek's One-Year Limited Warranty

See website for warranty information details.

Color/Finish Details

Color	Code	Description
■	49	Matte black



Technical Information

Bowl type:	Double
Installation:	Wall mounted Vessel
Bowl dimensions:	Length: 19.2" Width: 13" Depth: 3.7"
Drain hole:	1.75"
Faucet hole:	1.38"
Hole configurations:	2, 6
Weight:	55 lbs

Notes

Install this product according to the installation instructions.

Includes mounting hardware.