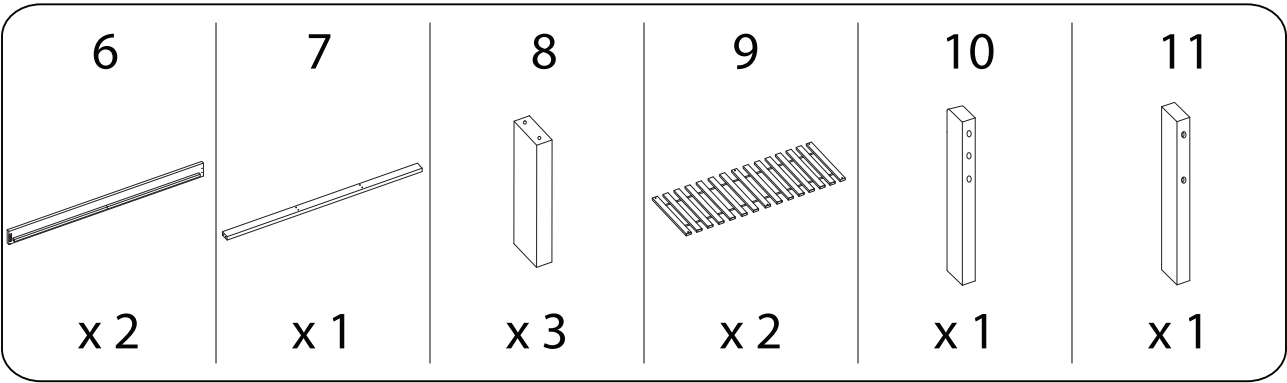
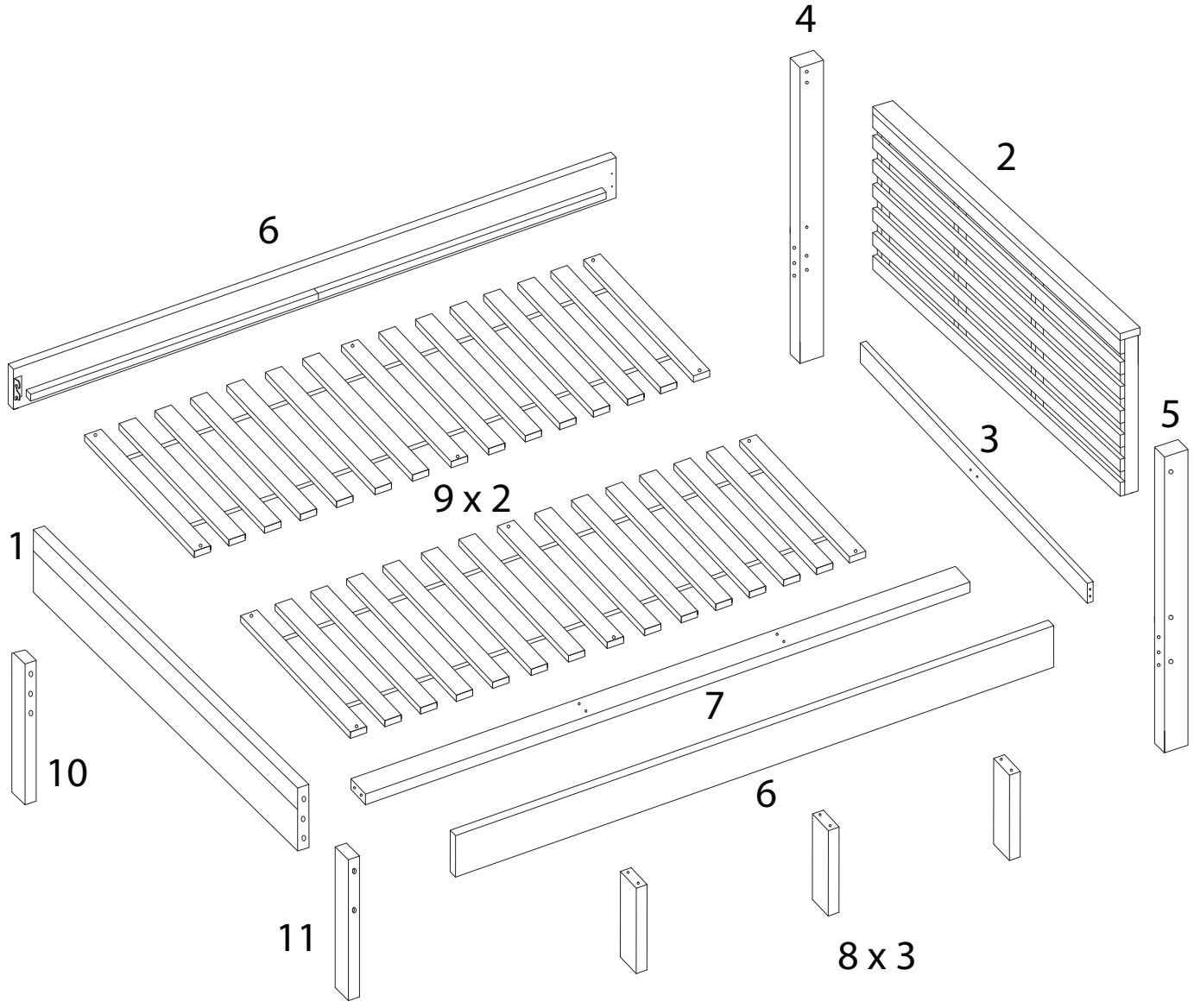
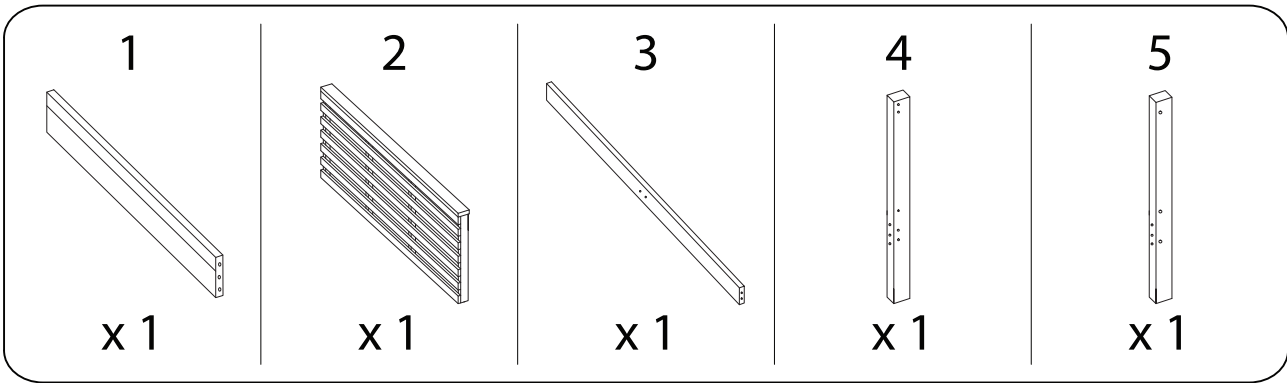
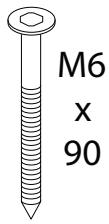

		60'
		2

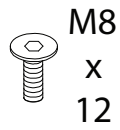


A



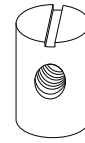
x 14

B



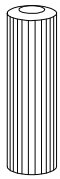
x 4

C



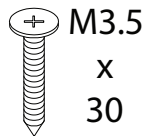
x 14

D



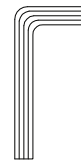
x 8

E



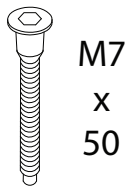
x 16

F



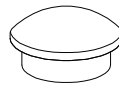
x 1

G



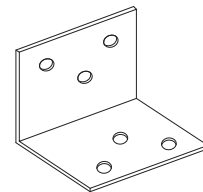
x 8

H



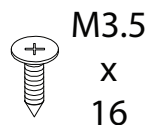
x 10

I



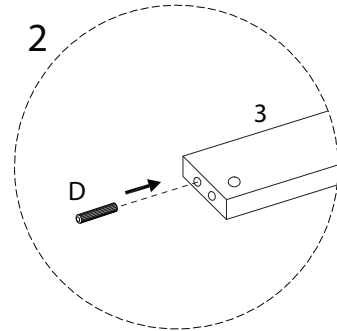
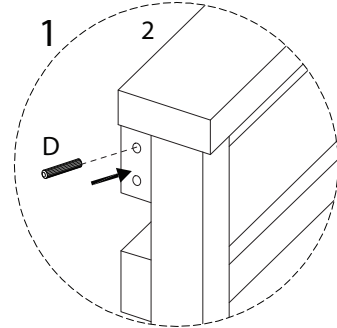
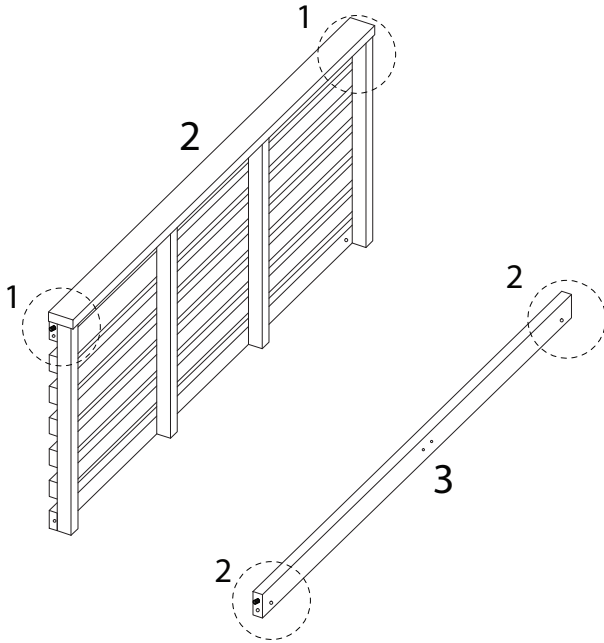
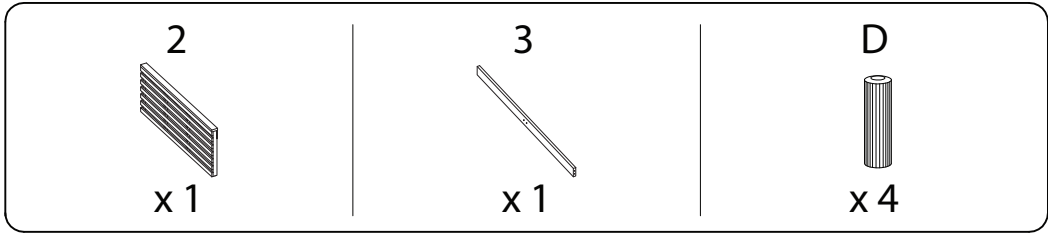
x 1

J

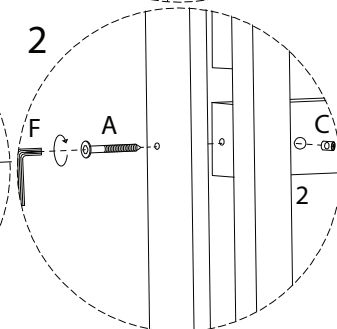
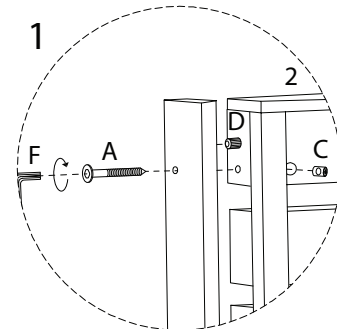
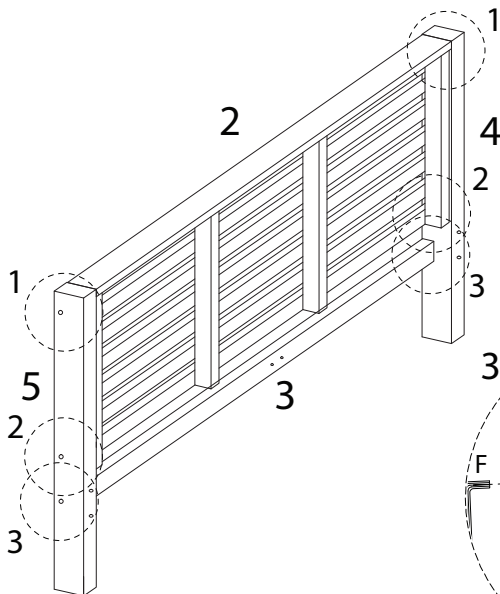
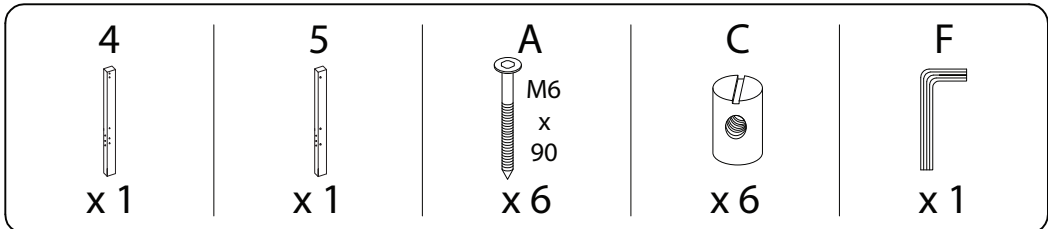


x 6

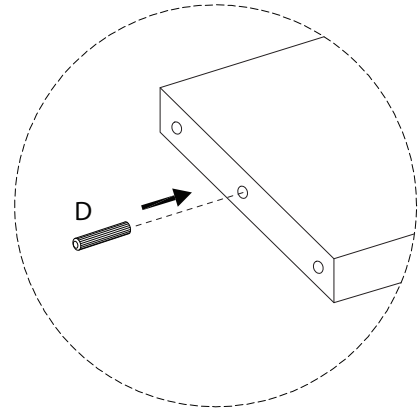
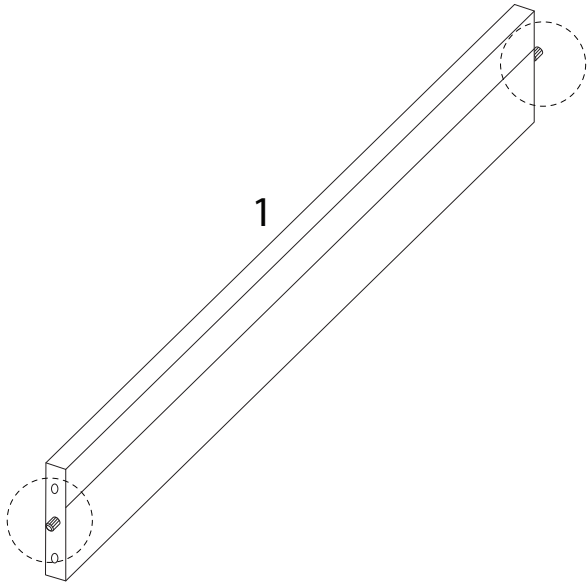
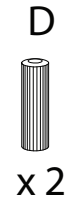
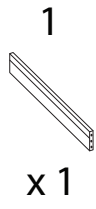
1



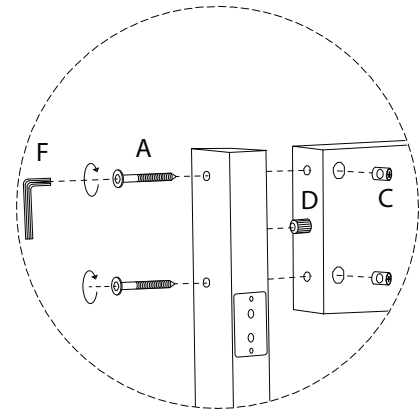
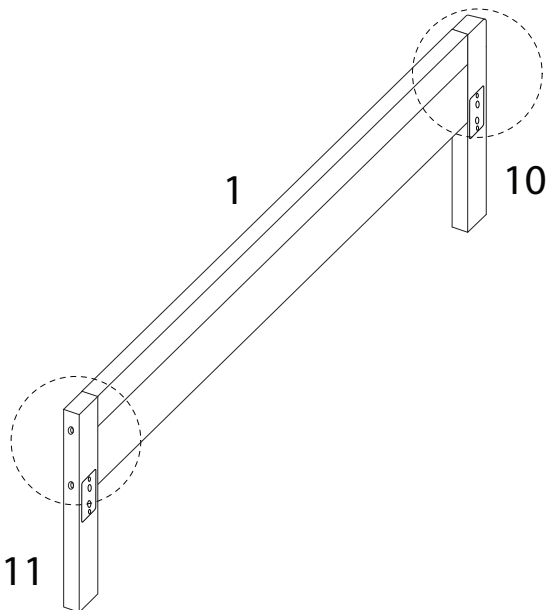
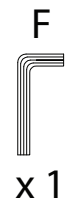
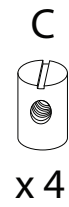
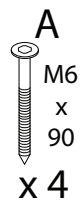
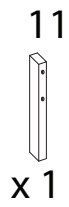
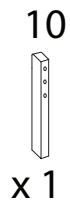
2



3

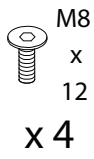


4

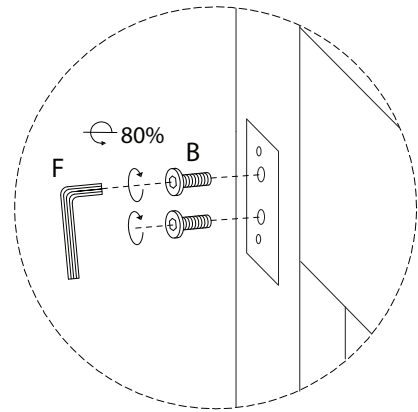
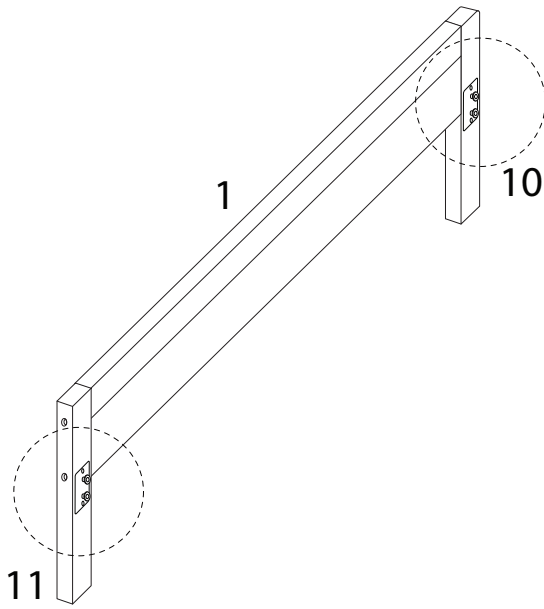


5

B

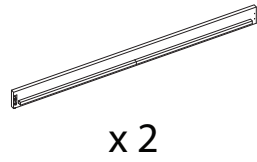


F

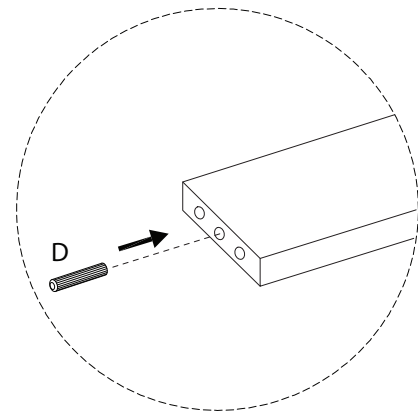
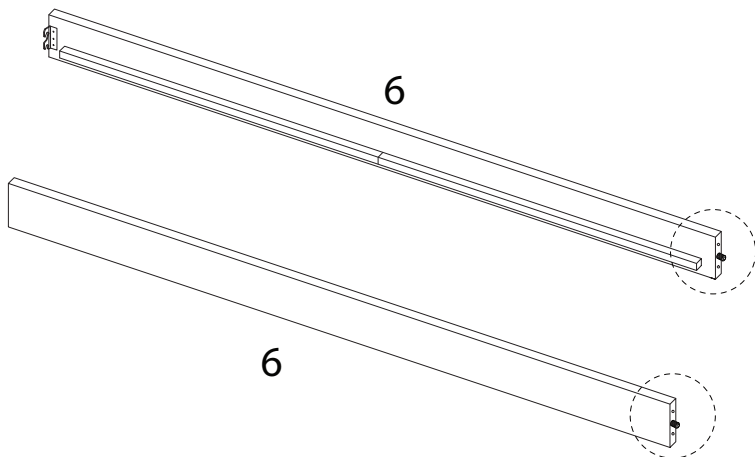
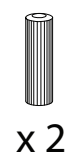


6

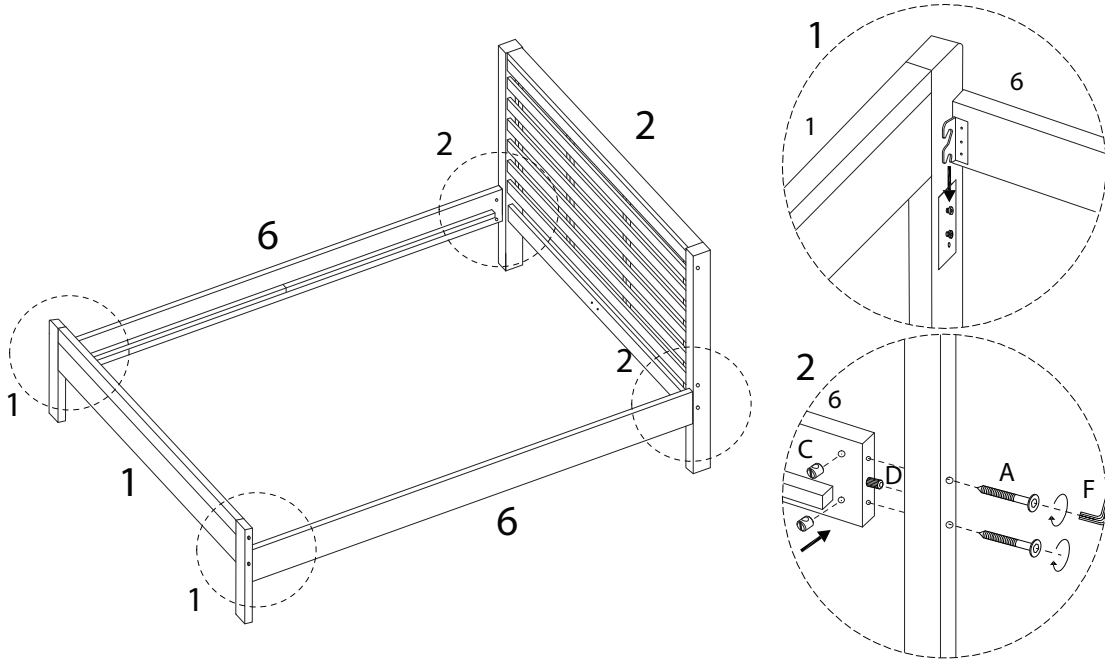
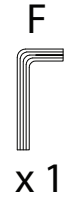
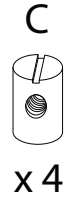
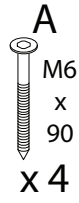
6



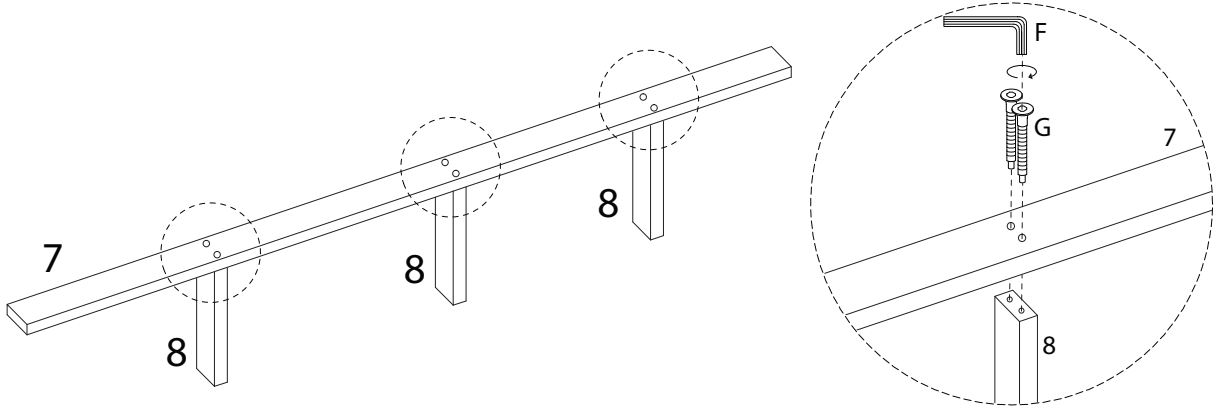
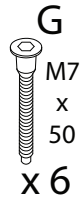
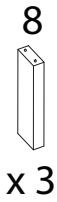
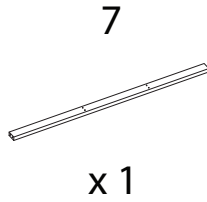
D



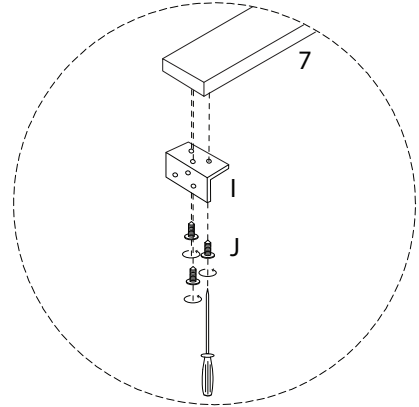
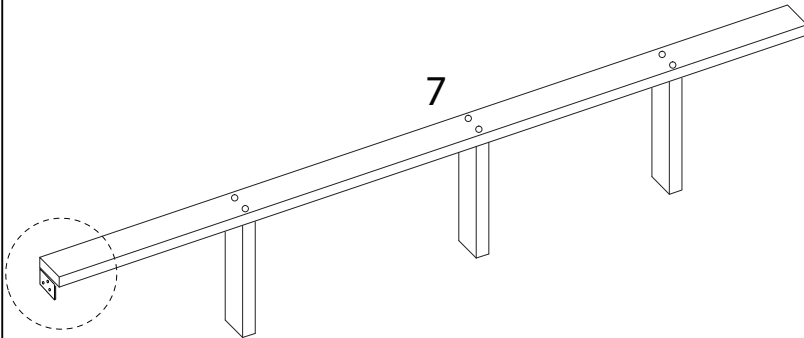
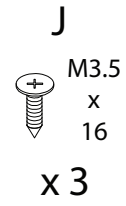
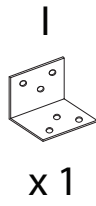
7



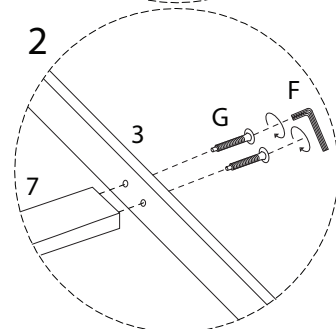
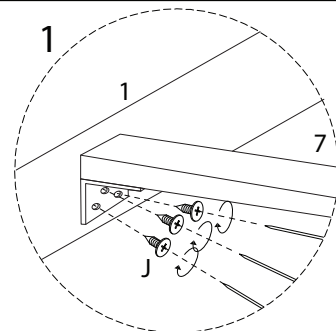
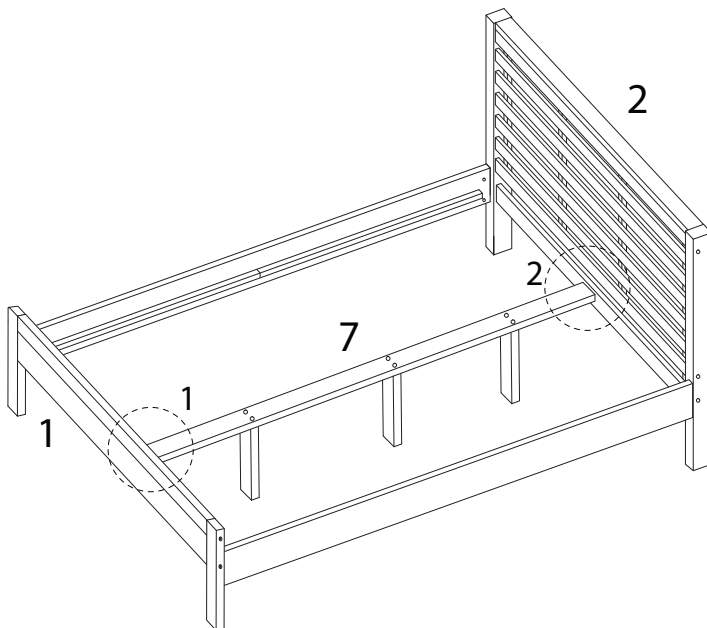
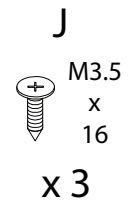
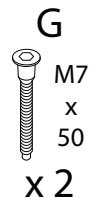
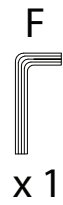
8



9

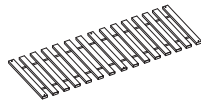


10



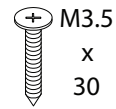
11

9



x 2

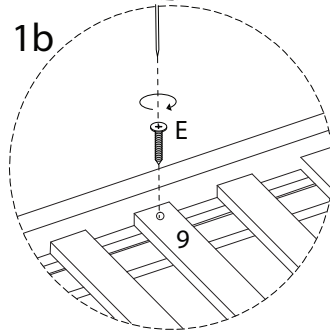
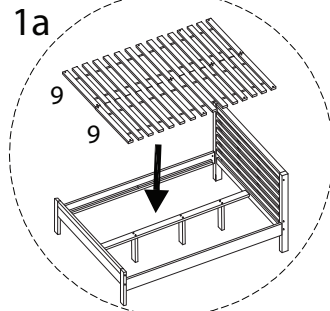
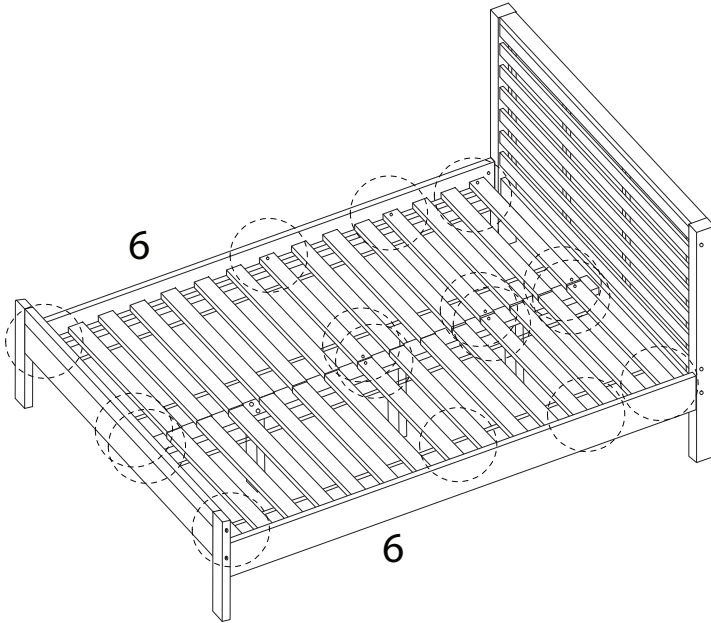
E



M3.5

x 30

x 16



12

H



x 10

