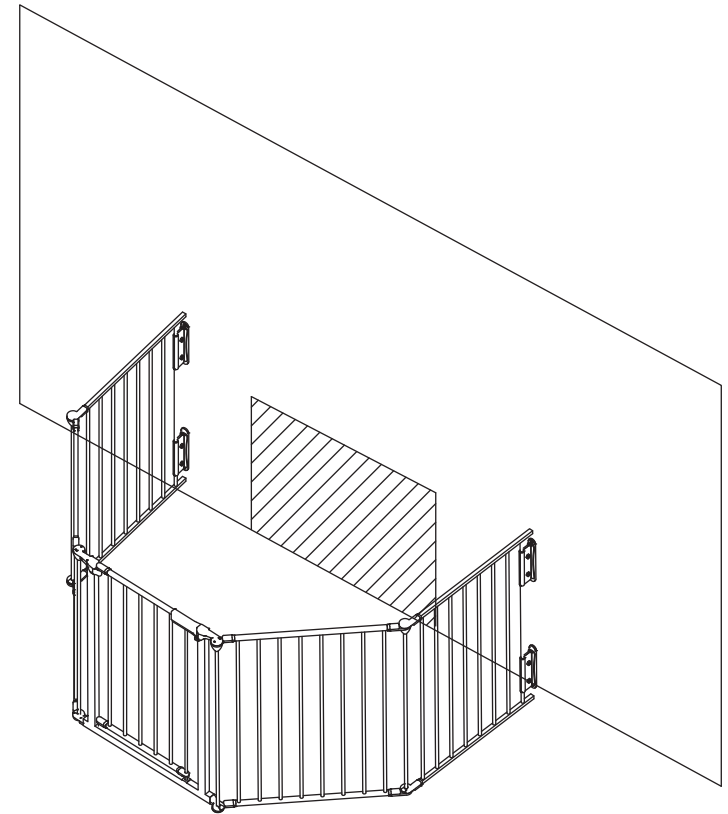

User Manual

JAXSUNNY



Model Number: HG61S0719

JAXSUNNY

Dear Customer,

Thank you for your purchase.
 JAXSUNNY is committed to providing affordable high-quality furniture worldwide.
 Each piece is made with the respect for human and the environment.
 Thousands of families use JAXSUNNY products as a home fashion.

When you receive the product, please make sure that all the parts are intact.
 Then please browse the entire installation manual before assembly.
 If problems occur unsatisfactorily as follows:

- a.The outer box is damaged.**
- b.The product is damaged / bent / cracked while you open the box.**
- c.The parts / accessories / assembly tools are missing.**
- d.The product is hard to assemble.**
- e.The instructions are not clear and can not be referred to.**
- f.The product has functional problems.**
- g.Other aspects that you are not satisfied with.**

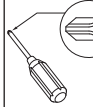
Please do not hesitate to contact us for help (Be sure to mark the **SKU NUMBER**, e.g., HG91S0320, and the **TRACKING NUMBER**).
 Our JAXSUNNY team with factory direct after-sales service will reply within 24 hours and will do our best to resolve the problem for you. Our services are available at any time.

Sincerely,
 JAXSUNNY Team

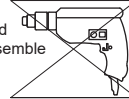


You need

1 Tools required

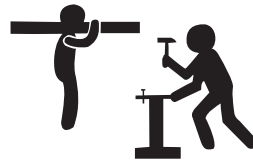


A Phillips head screwdriver is required for the assembly of this product. (not included)

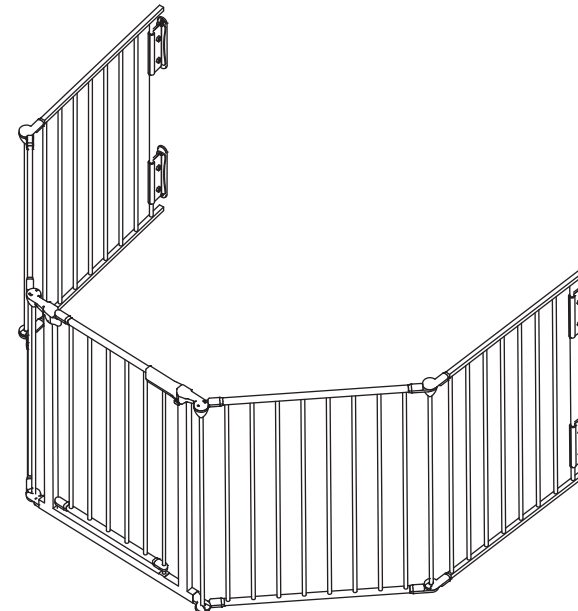


Power tools should not be used to assemble this product.

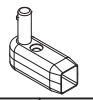
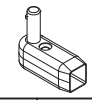
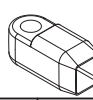
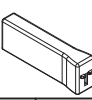
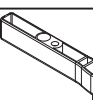
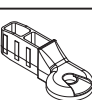
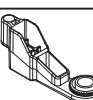
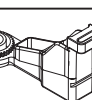
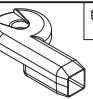
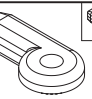
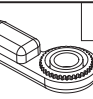
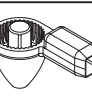
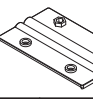
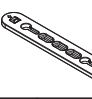
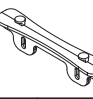


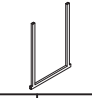

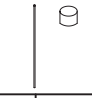
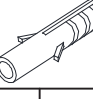
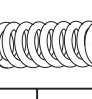
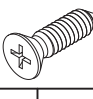
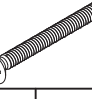
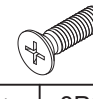
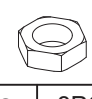
2 persons are needed



Technical Specifications	
Material	Metal + Plastic
Size	560*740*15mm



Hardware List

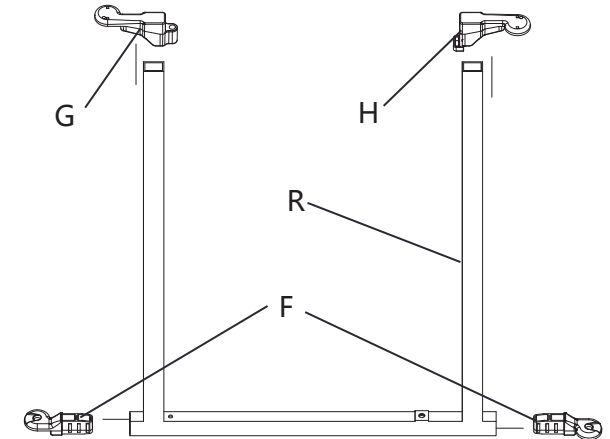
			
A 1PC	B 1PC	C 1PC	D 1PC
			
E 1PC	F 2PCS	G 1PC	H 1PC
			
I 2PCS	J 2PCS	K 4PCS	L 4PCS
			
M 4PCS	N 4PCS	O 4PCS	P 4PCS
			
Q 4PCS	R 1PC	S 1PC	T 1PC
			
U 8PCS	V 1PC	W1 16PCS	W2 8PCS
			
X1 8PCS	X2 8PCS		

PRODUCT ASSEMBLY

! Check the package contents before getting started !
All parts could be replaced if there is any damaged when you receive the package

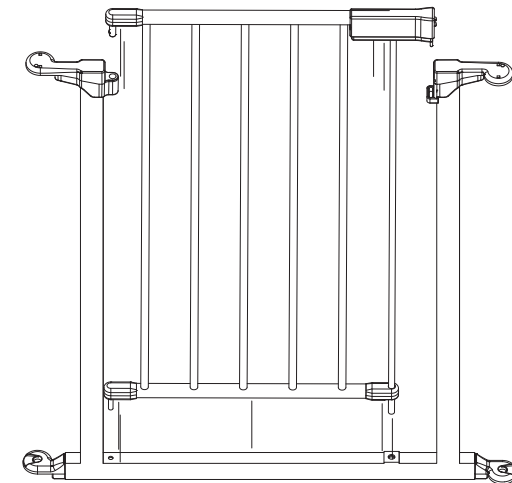
STEP 1

Door frame assembly as step 1

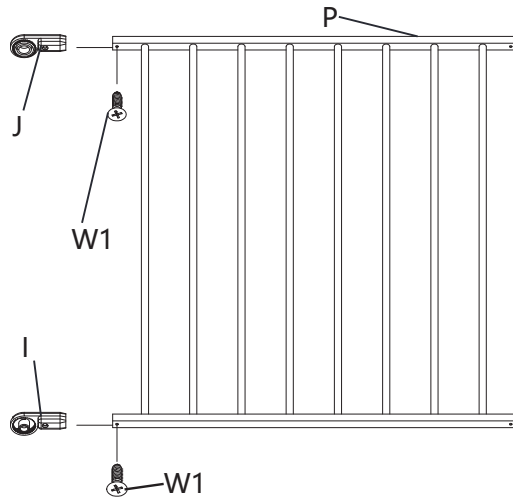


STEP 2

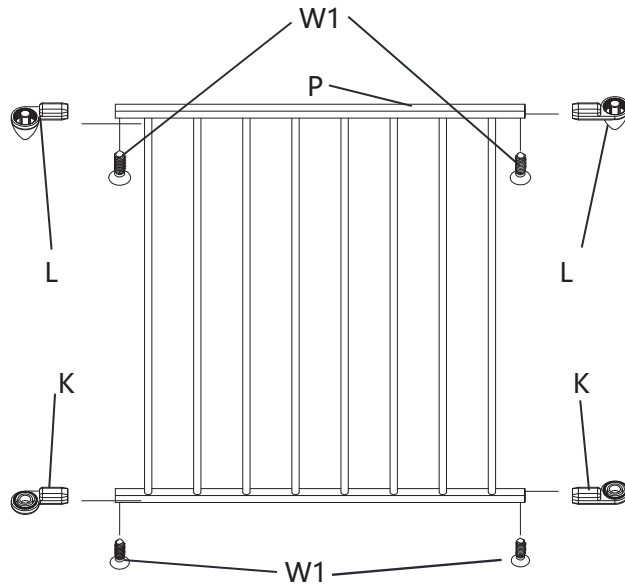
Align door and door frame with holes



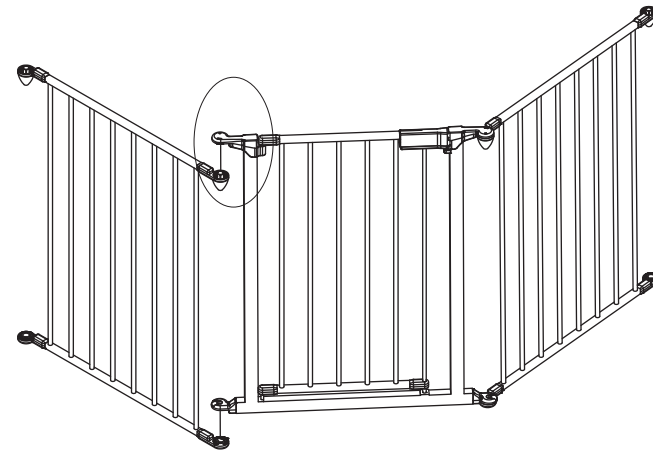
STEP 3



STEP 4 Align w1 with holes to fix J,I,L and part K

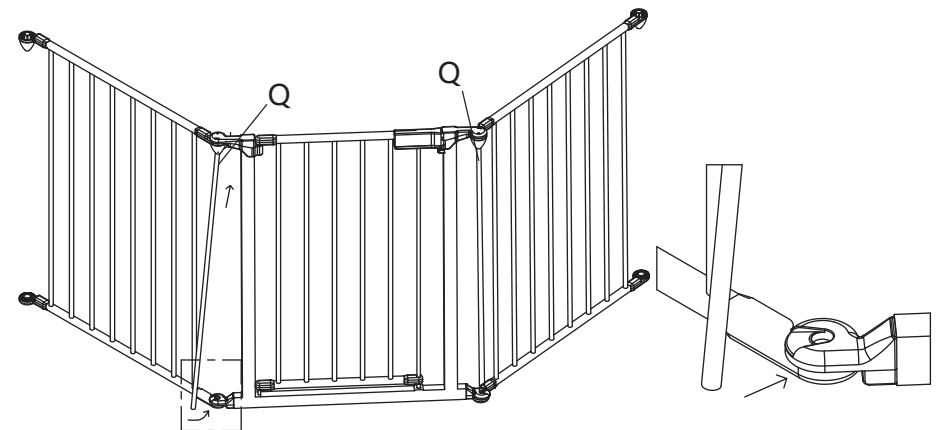


STEP 5



Connect door and panels as circled parts

STEP 6

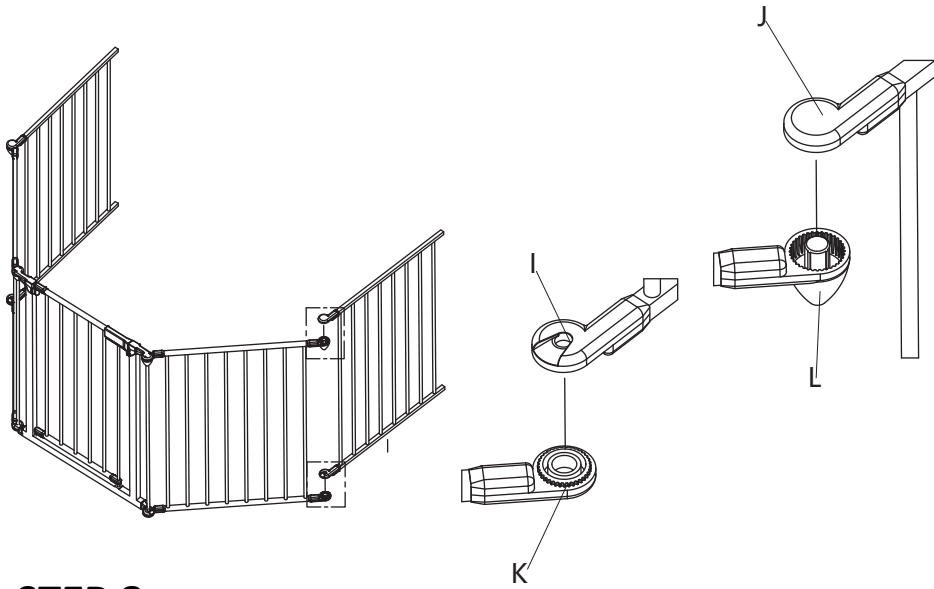


please adjust the angle before installing the steel bar

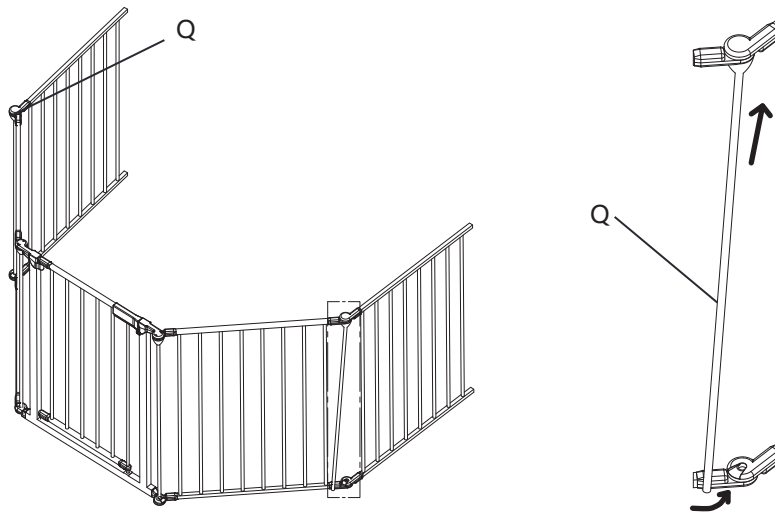
PRODUCT ASSEMBLY

STEP 7

connect panels with part J and part L,
connect panels with part I and part K as step7



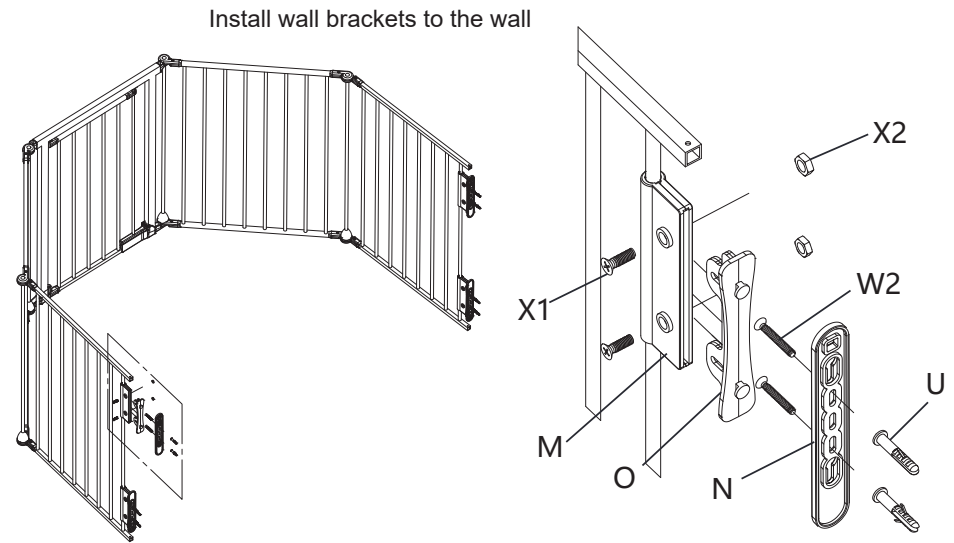
STEP 8



PRODUCT ASSEMBLY

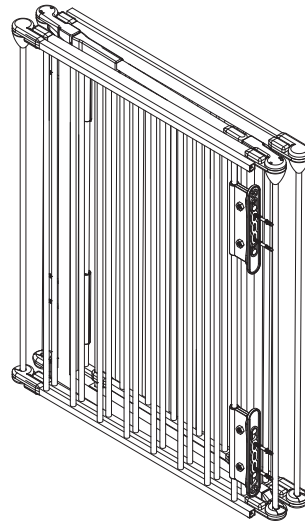
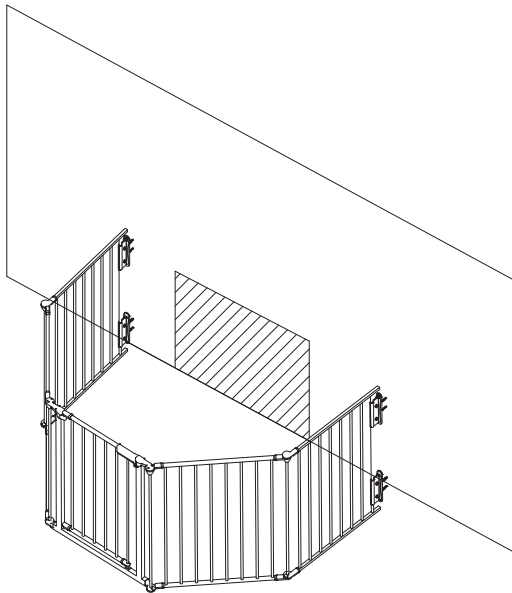
STEP 9

- U:8pcs
- X1:8pcs
- X2:8pcs
- W2:8pcs



STEP 10

U:8pcs
 X1:8pcs
 X2:8pcs
 W2:8pcs



Read the instruction carefully

! WARNING!

These instructions detail the safe use, assembly and maintenance of your product. Please read these instructions carefully and ensure that they are followed at all times. Failure to do so could result in serious injury or death.

! WARNING!

- Only use the fireplace gate with both wall fittings attached.
- Follow the manufacture's instructions.
- Mattresses are not to be placed into or used with this playpen.
- To prevent serious injury or death, securely install playpen and use according to manufacture's instruction.
- Never use with a child able to climb over or dislodge the playpen.
- Never leave a child unattended. this playpen is to be used with adult supervision at all times.
- Intended for use with children up to 18 months of age.
- Playpen should not be used as a substitute for adult supervision.
- Use only with all of the connectors securely engaged.
- Always keep your playpen in the locked and fully assembled.
- You should continue to regularly check the stability and fit of playpen during use and the operation.
- Do not use your playpen if parts become damaged or are missing.
- Only use replacement parts supplied by igc dorel pty ltd.



CHEKING HAZARD--Small parts, it is not for children under 3 years!