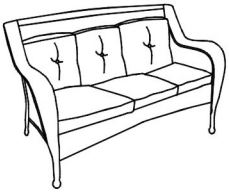
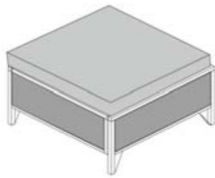


**5PC ALL WEATHER WICKER SET
SOFA & OTTOMAN**

ASSEMBLY INSTRUCTION



⚠ WARNING: Sofa is for sitting / lying purpose only. It is not to be used for standing purposes and will not function as a stool or step-ladder. Use on even surfaces only. Sofa tested for use at weight of 600 lb (272.7 kg). Improper use of this product or failure to use as directed may result in injury. Not intended for commercial use.



⚠ WARNING: Proper use of the ottoman is for single person to rest legs on while sitting in chair. The ottoman is not to be used for seating or standing purposes and will not function as a stool or step-ladder. Ottoman will support up to weight of 250 lb (113.4 kg). Improper use of this product or failure to use as directed may result in injury. Not intended for commercial use.

IMPORTANT:

Please read all the instructions and warnings before assembling. In order to make the whole product adjust to the best, please install all the screws on the product and tighten all the screws after adjusting the product which can stand on the floor even.

WARNING:

- Keep all children and pets away from assembly area. Children and pets should be supervised when they are in the area of the product construction.
- Keep assembly area at least 6 feet from any obstruction such as a fence, garage, house, overhanging branches, laundry line or electrical wires.
- Some parts may contain sharp edges. When assembling and using this product, basic safety precautions should always be followed to reduce the risk of personal injury and damage to the product. Please read all instructions before assembly and use.
- Check all bolts for tightness before use. IMPORTANT - check and tighten bolts often to keep them secure!
- The sofa and coffee table are not to be used for standing purposes and will not function as a stool or step-ladder. Use on even surfaces only.
- The sofa use at weight of 600lb (272.7kg). Improper use of this product or failure to use as directed may result in injury. Not intended for commercial use.

CARE & MAINTENANCE

STAIN RESISTANT CUSHIONS CARE — KEEP THE CUSHIONS IN STORAGE IN RAINING DAY.

SPILLS: Immediately wipe up the spill using a white damp cloth. Repeat process if necessary until stain is gone. Allow cushion to air dry.

FABRIC CARE: Hand wash cold, non-chlorine bleach when needed, lay flat to dry. Cool iron if necessary. Do not dry clean.

RESIN WICKER PRODUCT CARE

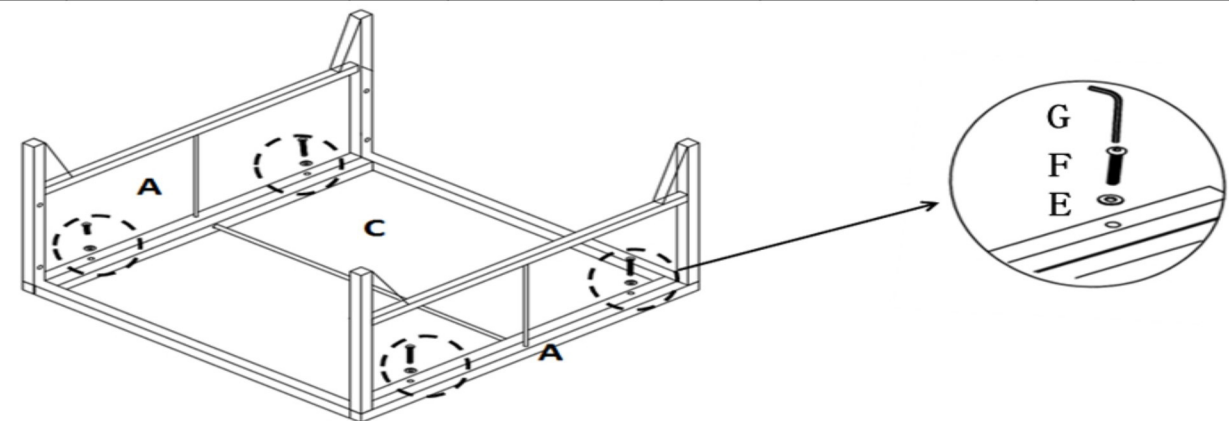
Before using, clean the product completely with a soft dry towel. When not in use, wipe free of any dirt or loose objects, wash with a mild solution of soap and water, rinse thoroughly and dry completely. Do not use strong detergent or abrasive cleaners. Over time nuts and bolts can loosen. Occasionally, check nuts and bolts on all chairs and tables, re-tighten if necessary.



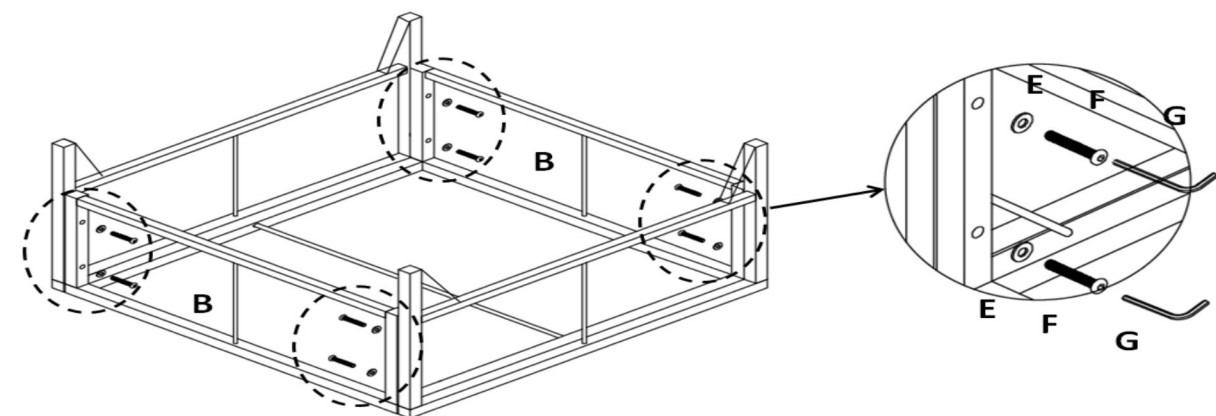
**5PC ALL WEATHER WICKER SET
OTTOMAN**

Parts List:

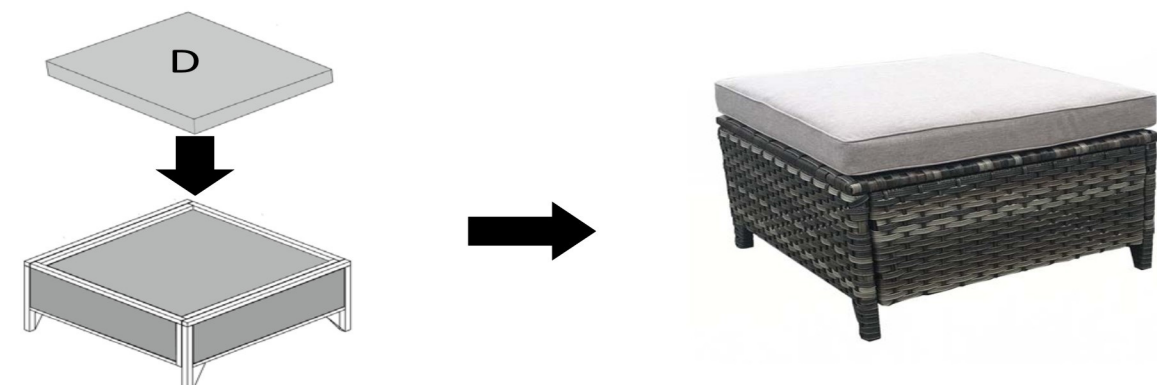
No.	Part	Qty	Image	No.	Part	Qty	Image
A	Ottoman Leg	2		B	Side Panel	2	
C	Top	1		D	Cushion	1	
E	Washer	12		F	Screw(φ6x30mm)	12	
G	Allen Wrench	1					



Step 1: Attached right and left Leg (A) to top (C) by using four screws (E) and four washers (D) with allen wrench (G). DO NOT TIGHTEN ALL BOLTS NOW.



Step 2: Attached side panel (B) to right and left legs (A) by using four screws (E) and four washers (D) with allen wrench (G). DO NOT TIGHTEN ALL BOLTS NOW.



Step 3: Place the ottoman upside down and fully tighten all bolts after making sure it is stable. Then put cushion on it. Finished!