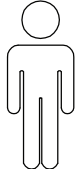
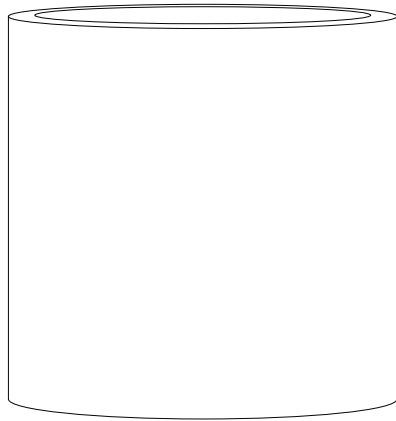
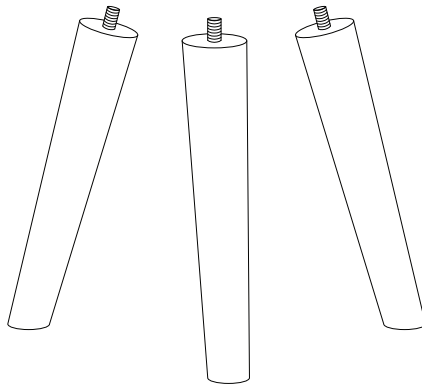
	<p>5'</p>  <p>1</p>

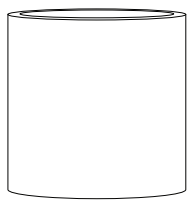
A



B x 3



A



x 1

B



x 3

1

