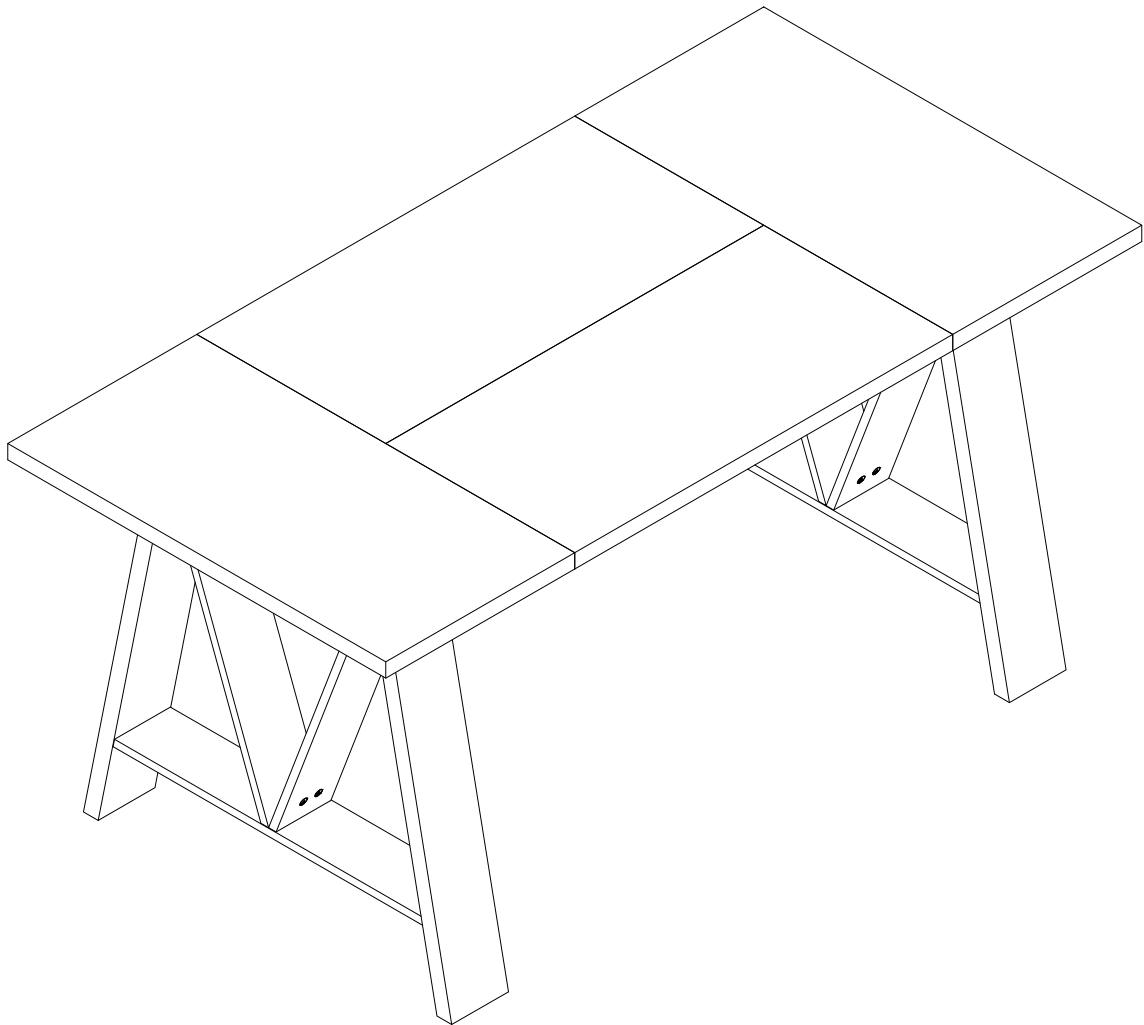


# Assembly Instructions



---

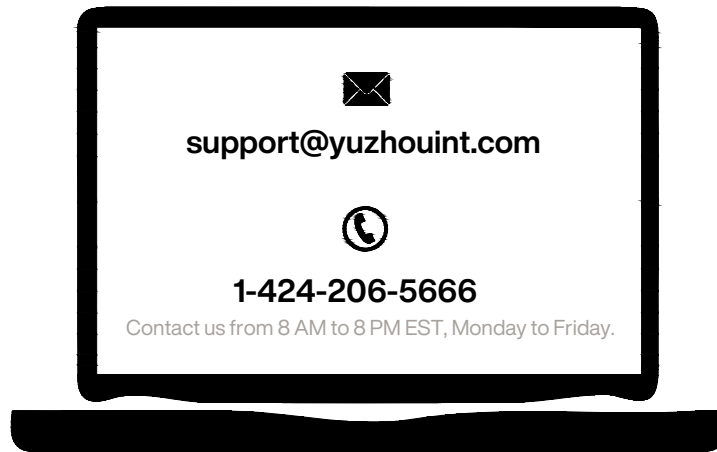
**Dining Table**

Model No.  
**HOGA-RY0310**

---

# Contact Us

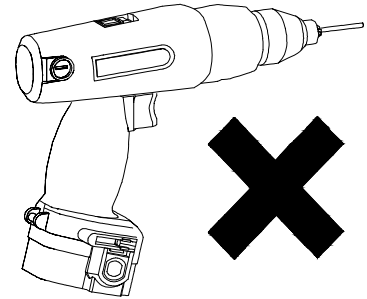
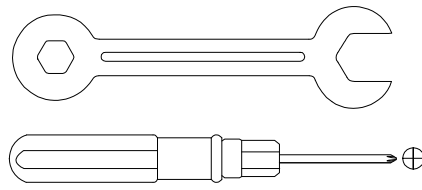
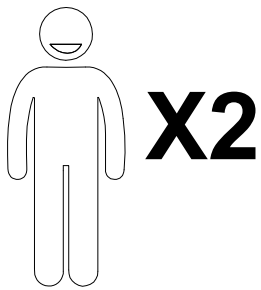
## We're here to help you.



Your satisfaction is our top priority. If you encounter any issues with this product, such as missing or damaged parts, we're here to help. Please retain the original packaging and take photos of the packaging and the product, then contact us as soon as possible.

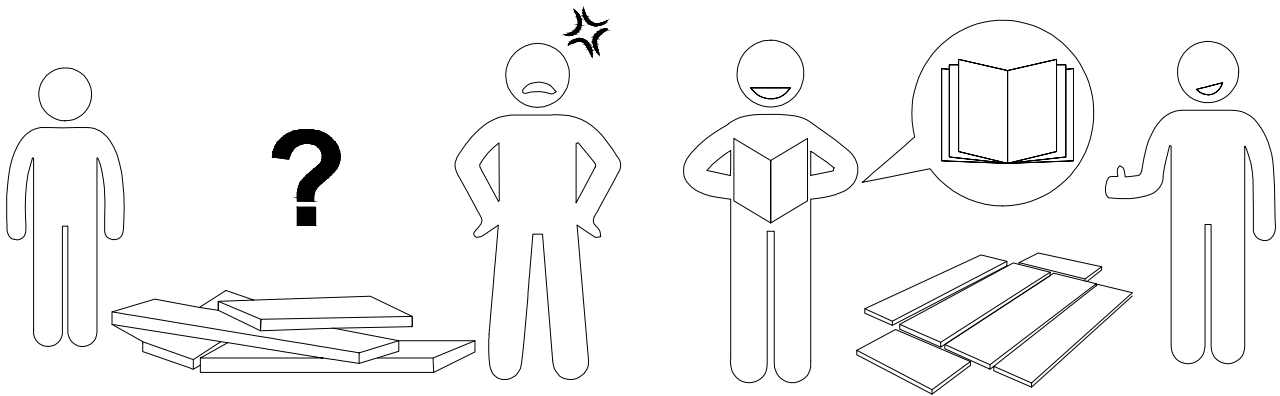
### Warm Tips

1. Carefully read these instructions and keep them for future reference.
2. Check the parts list and confirm everything's there before starting assembly.
3. When assembling, put all parts on a soft, smooth surface like a carpet to avoid scratches.
4. Don't fully tighten screws until all parts are confirmed in place to avoid misalignment.



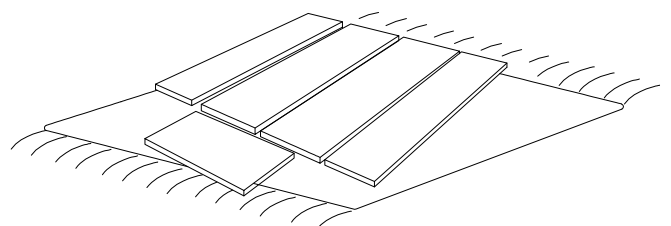
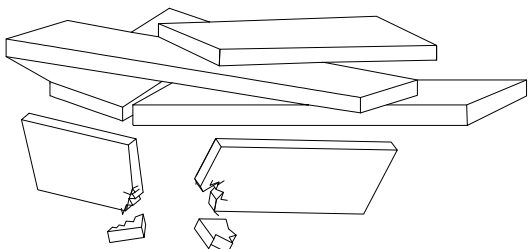
We recommend using hand tools for assembly.

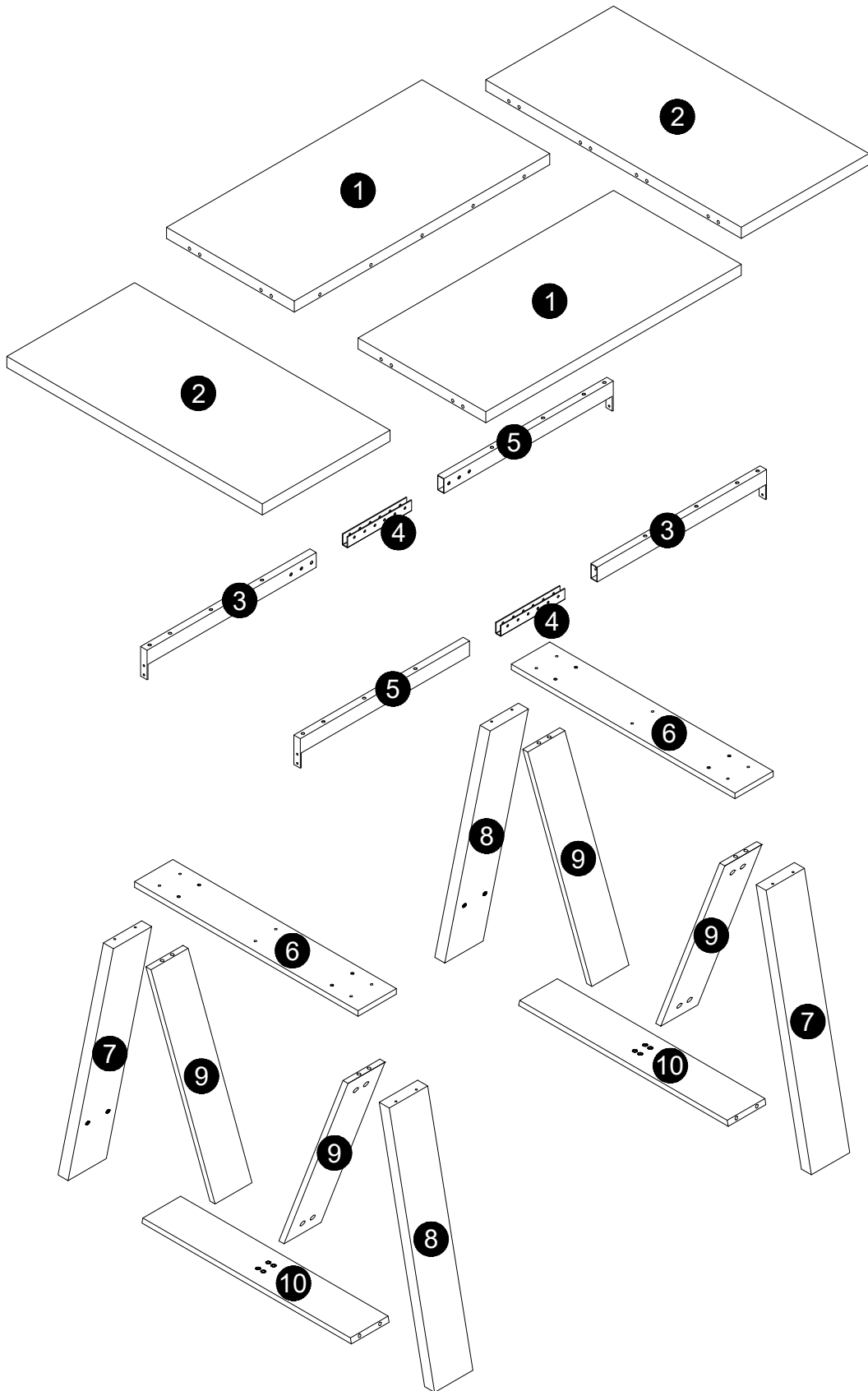
If an electric screwdriver is used, reduce power and torque to avoid damage to the product.



## AVOID SCRATCHES

In order to avoid scratching, this furniture should be assembled on a soft surface, such as a rug.

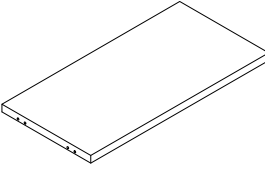
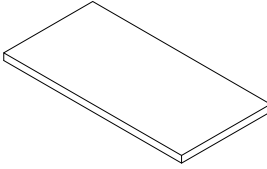
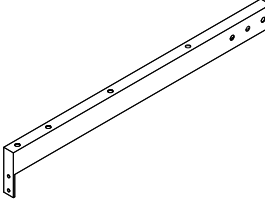
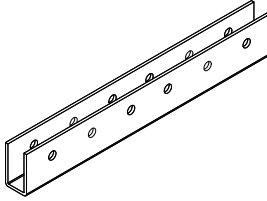
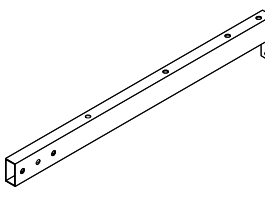
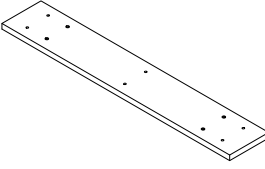
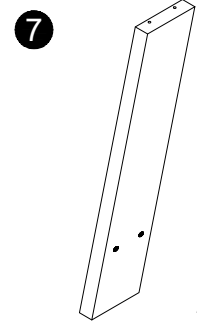
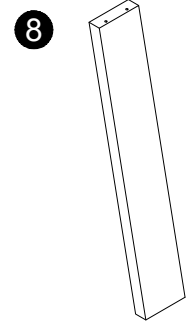
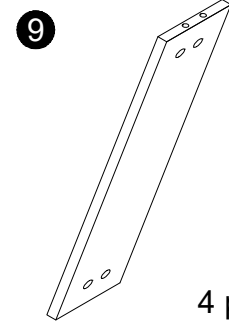
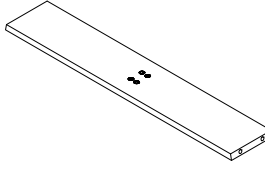




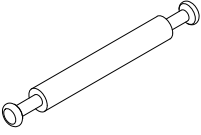
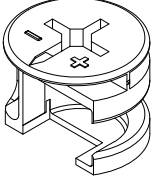
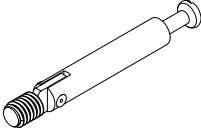
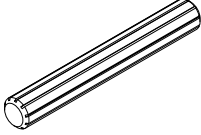
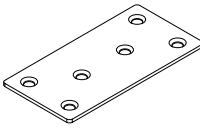
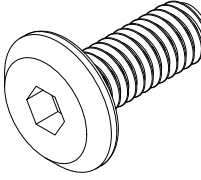
**⚠ Caution**

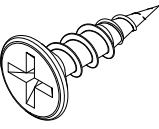
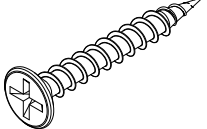
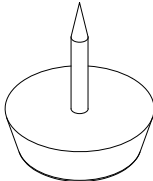
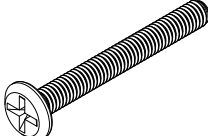
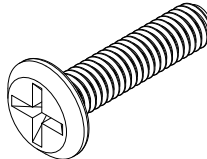
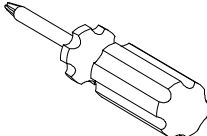
Make sure all parts are included. Most board parts are labeled or stamped on the raw edge. Contact us for a free replacement if you encounter any damaged or missing parts.

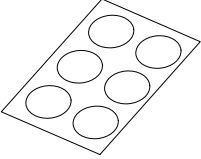
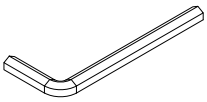
# Parts List

<p><b>1</b></p>  <p>2 pcs</p>	<p><b>2</b></p>  <p>2 pcs</p>	<p><b>3</b></p>  <p>2 pcs</p>	<p><b>4</b></p>  <p>2 pcs</p>	<p><b>5</b></p>  <p>2 pcs</p>
<p><b>6</b></p>  <p>2 pcs</p>	<p><b>7</b></p>  <p>2 pcs</p>	<p><b>8</b></p>  <p>2 pcs</p>	<p><b>9</b></p>  <p>4 pcs</p>	<p><b>10</b></p>  <p>2 pcs</p>

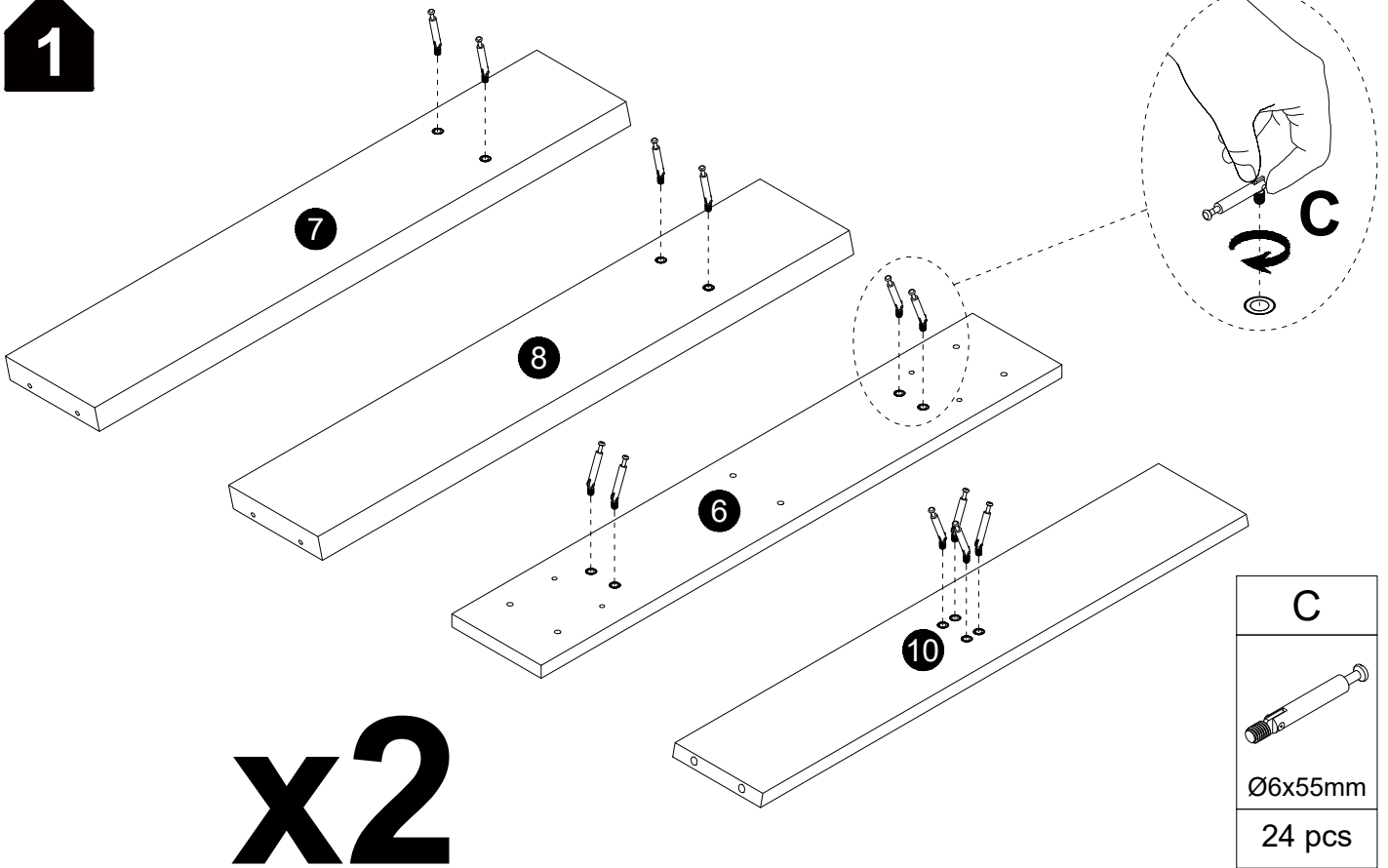
# Hardware List

A	B	C	D	E	F
					
Ø5x65mm	Ø15x12mm	Ø6x55mm	Ø8x60mm	100x50mm	M6x15mm
10 pcs	44 pcs	24 pcs	11 pcs	2 pcs	24 pcs

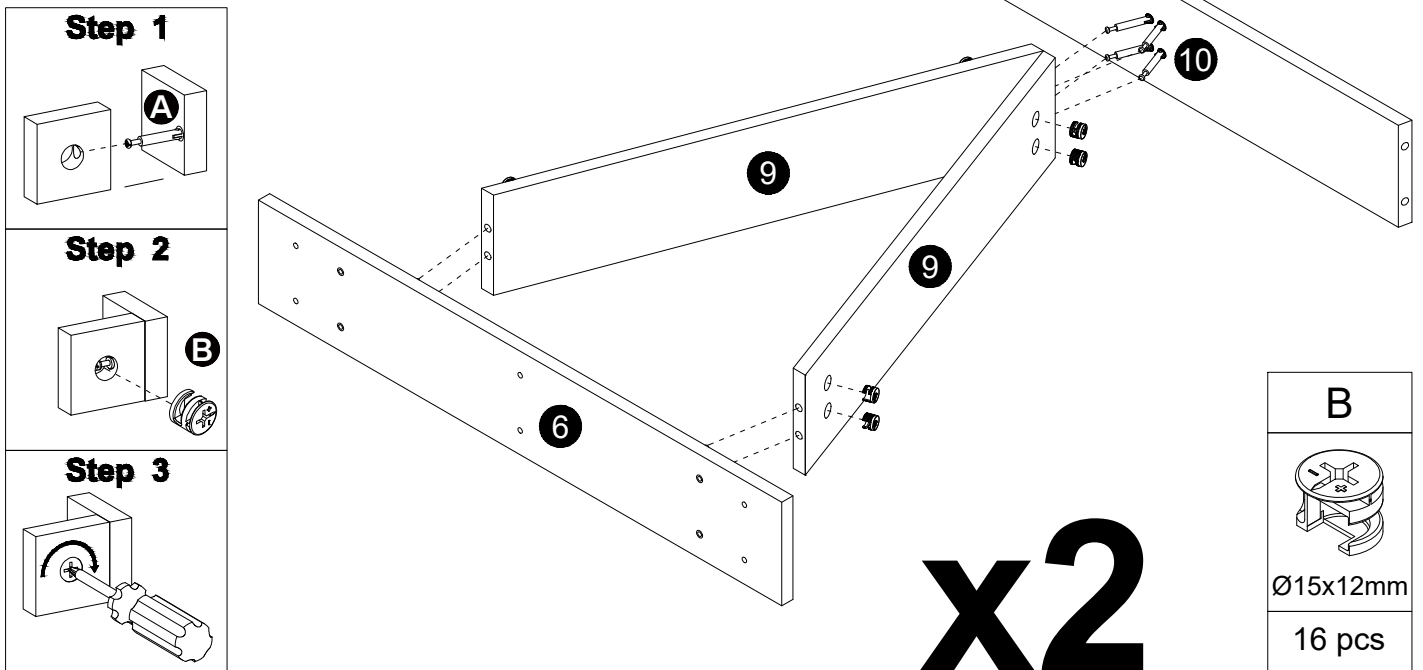
G	H	I	J	K	L
					
4x20mm	4x40mm	Ø12x5mm	M6x50mm	M6x25mm	80mm
16 pcs	8 pcs	8 pcs	16 pcs	12 pcs	1 pc

M	N				
					
Ø21MM	M4				
8 pcs	1 pc				

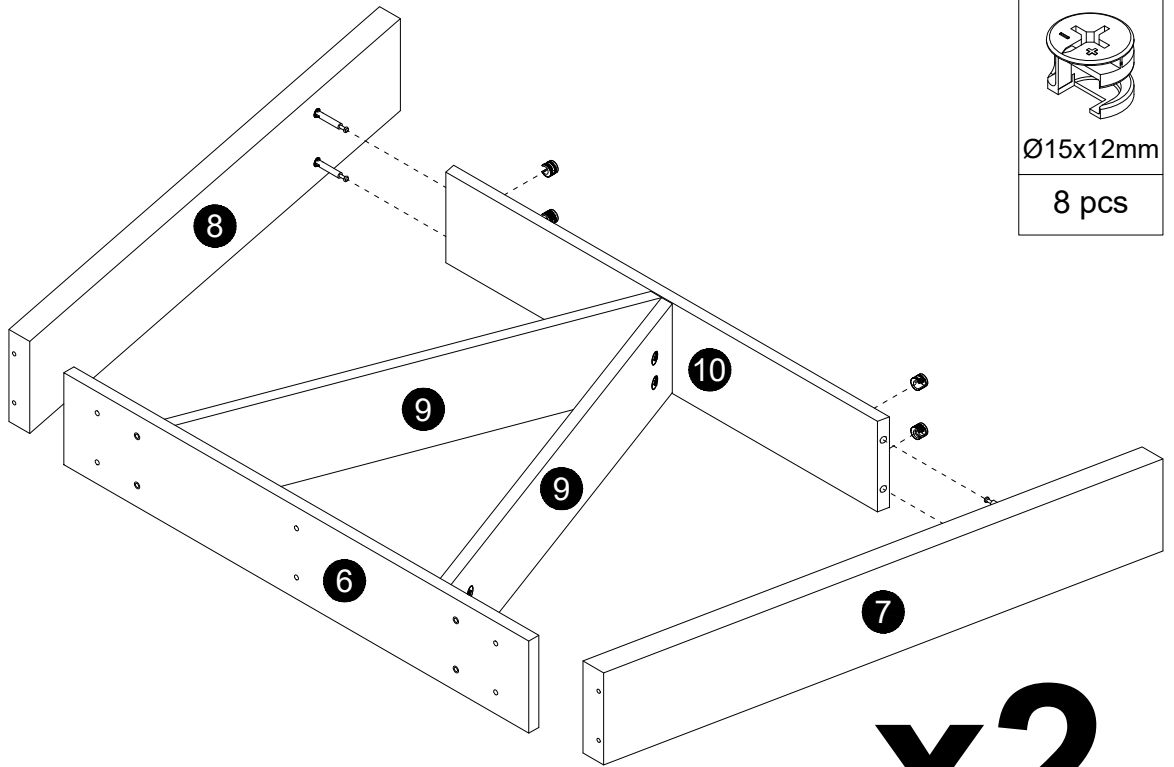
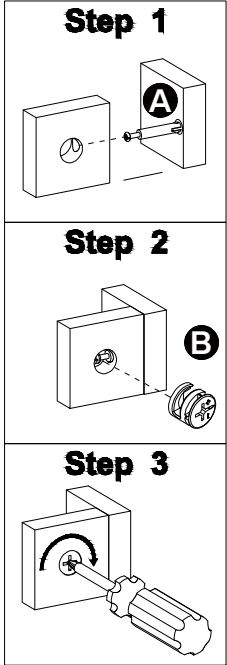
1

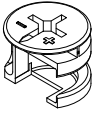


2

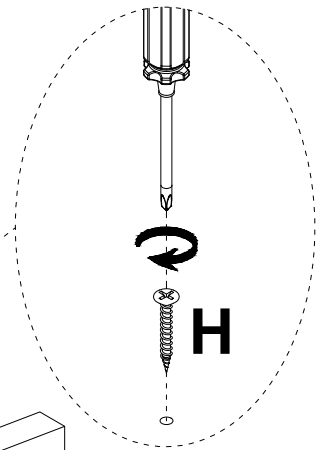
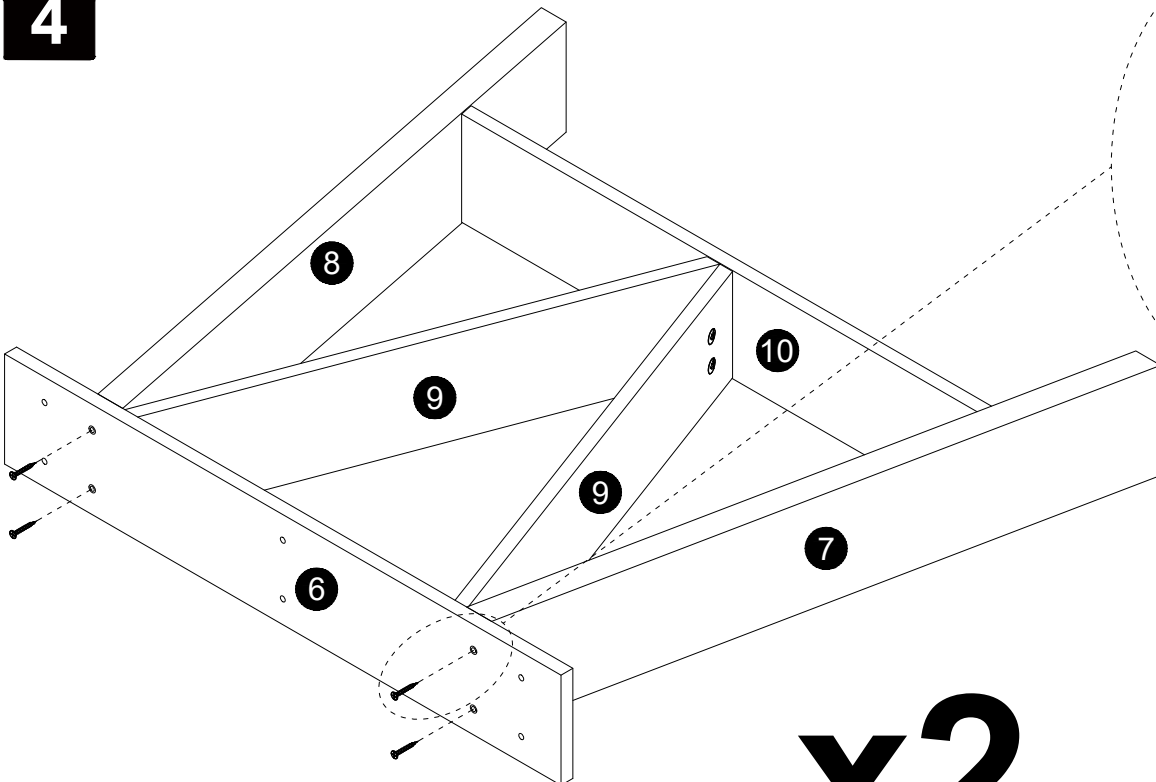


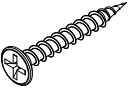
**3**



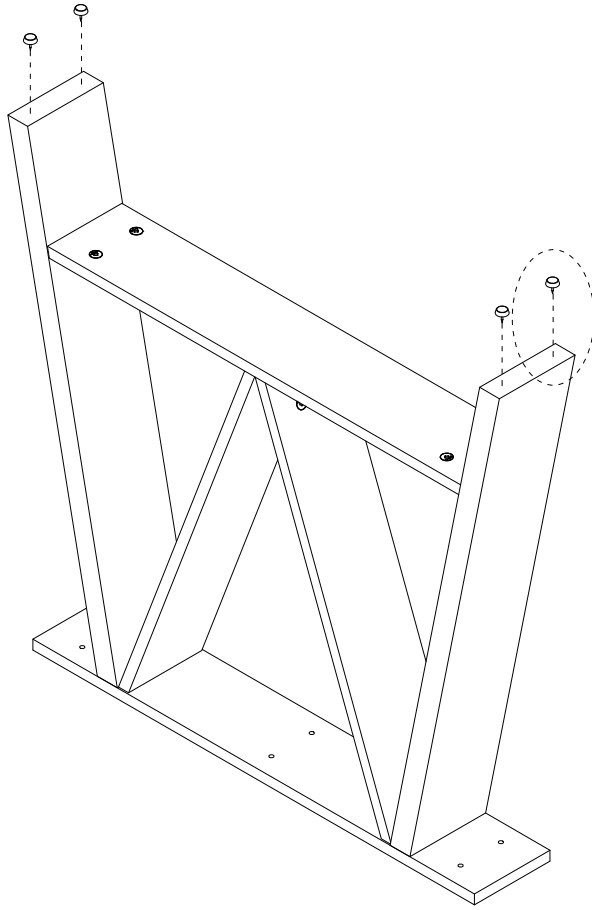
<b>B</b>

Ø15x12mm
8 pcs

**4**



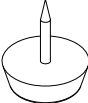
<b>H</b>

4x40mm
8 pcs

5

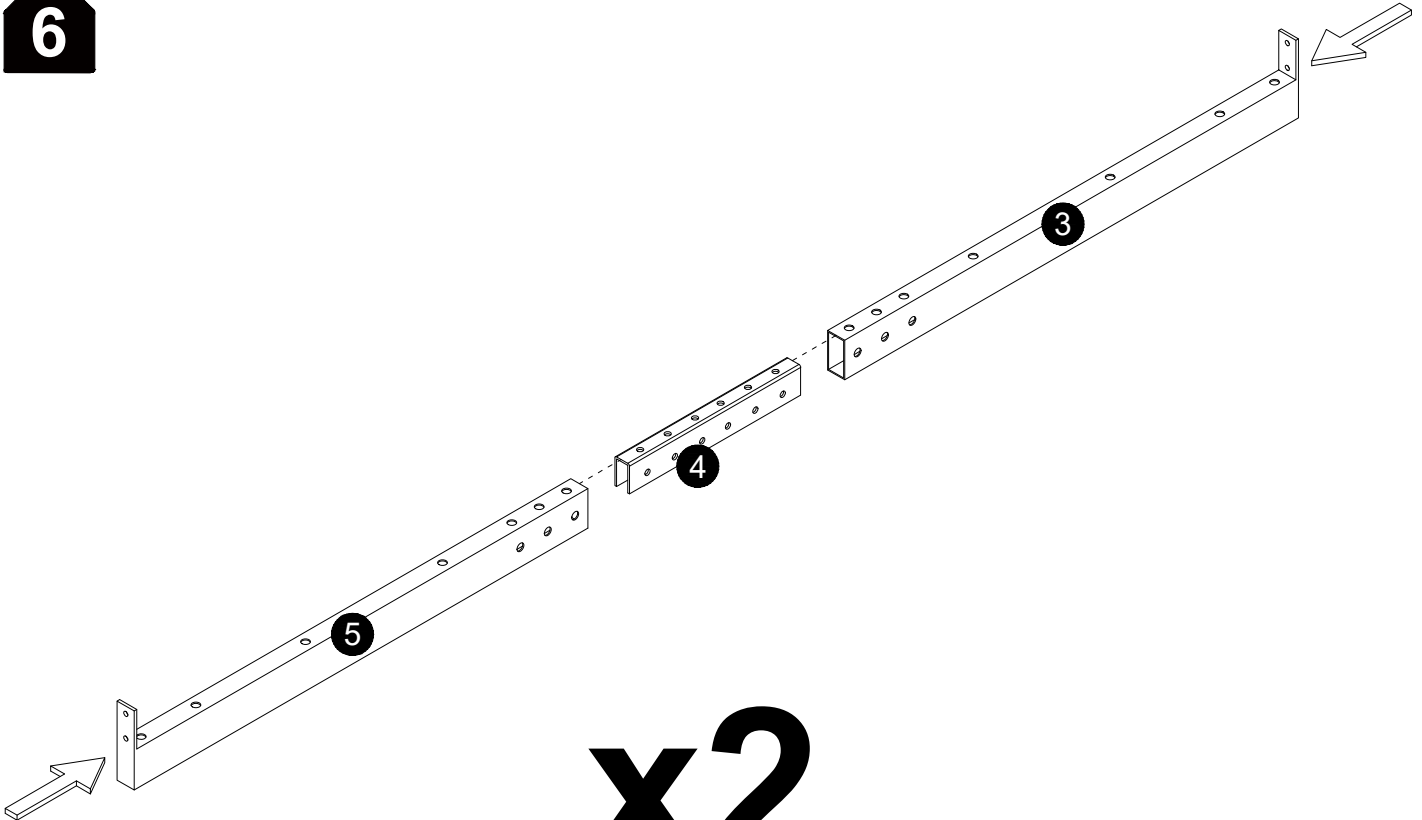


**⚠ Caution! Tap lightly**

**x2**

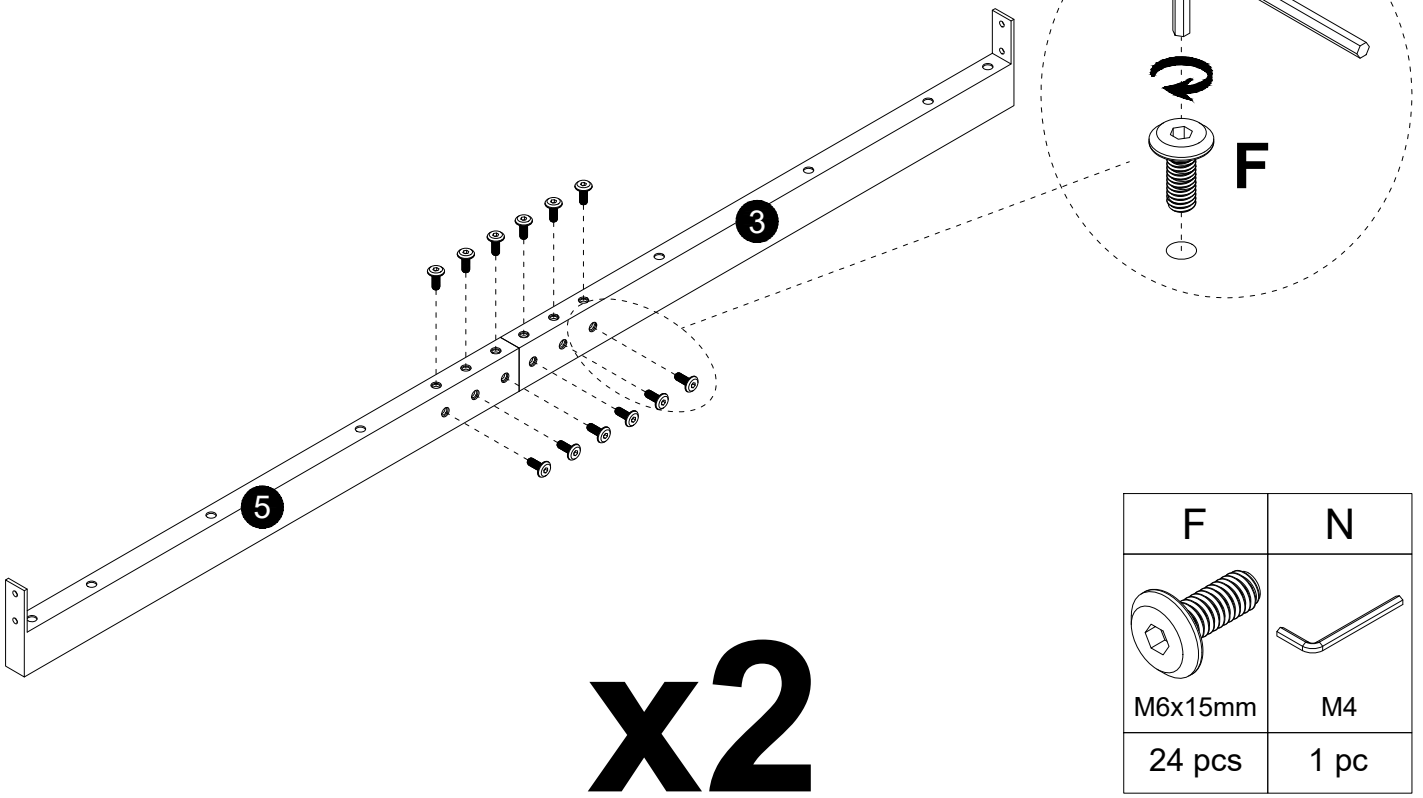
I

Ø12x5mm
8 pcs

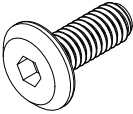

6



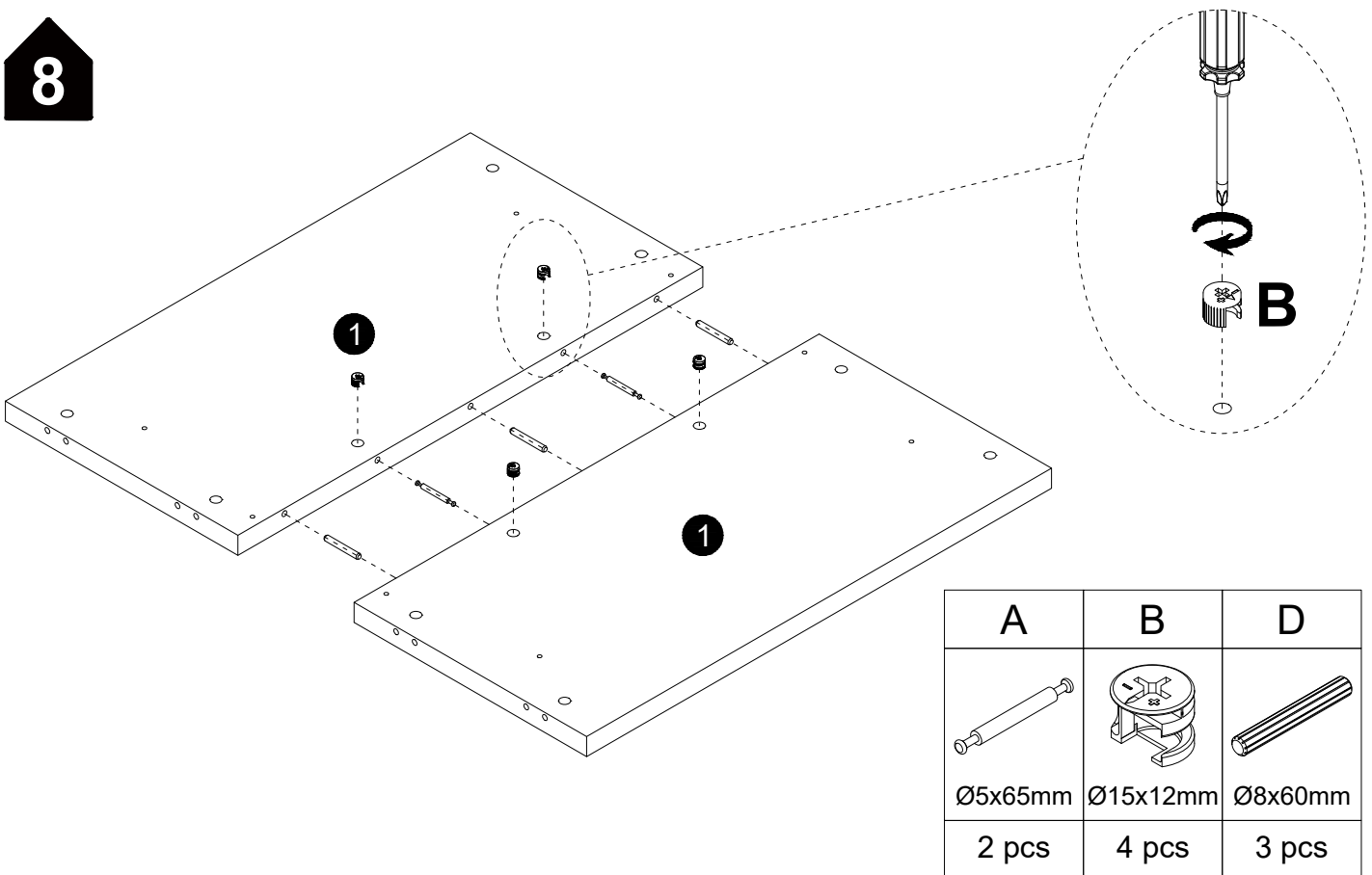
**x2**

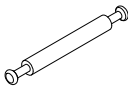
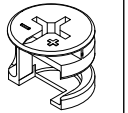

**7**



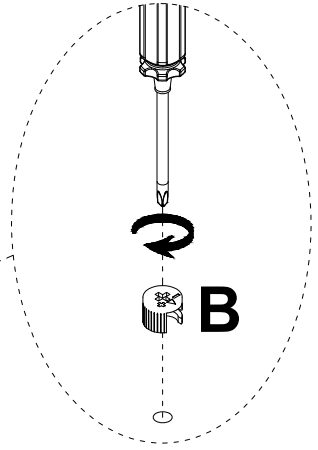
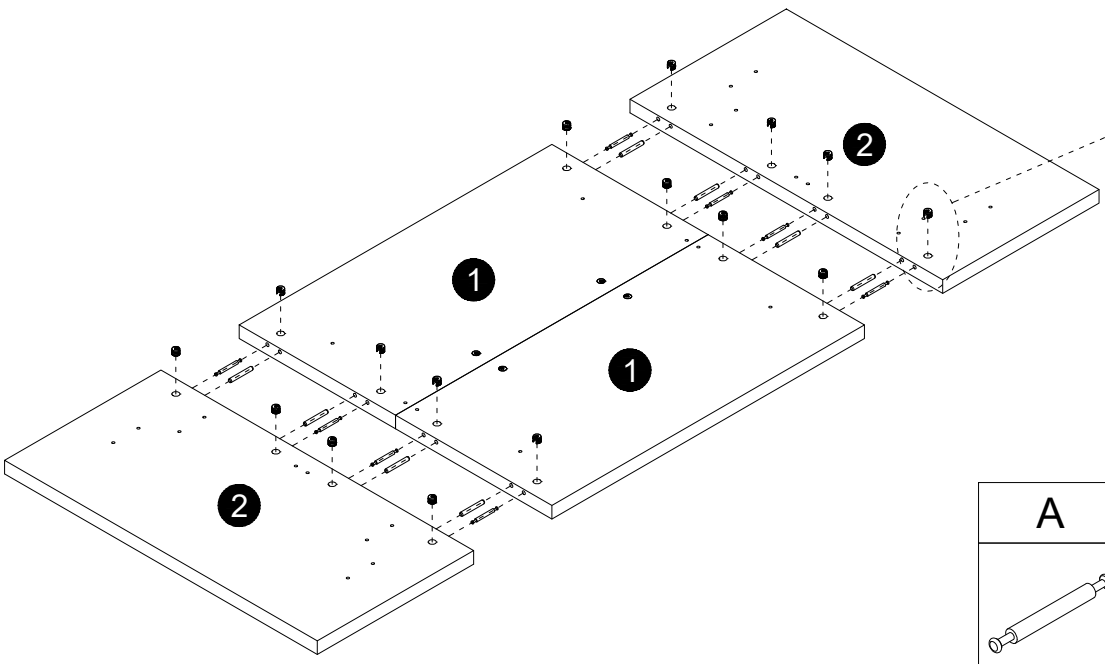
F	N
	
M6x15mm	M4
24 pcs	1 pc

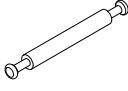
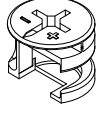

**8**



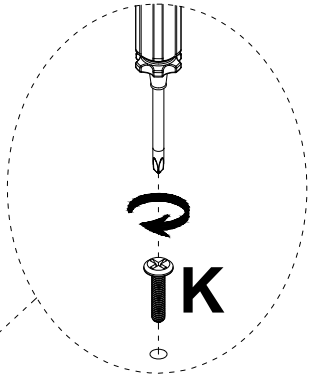
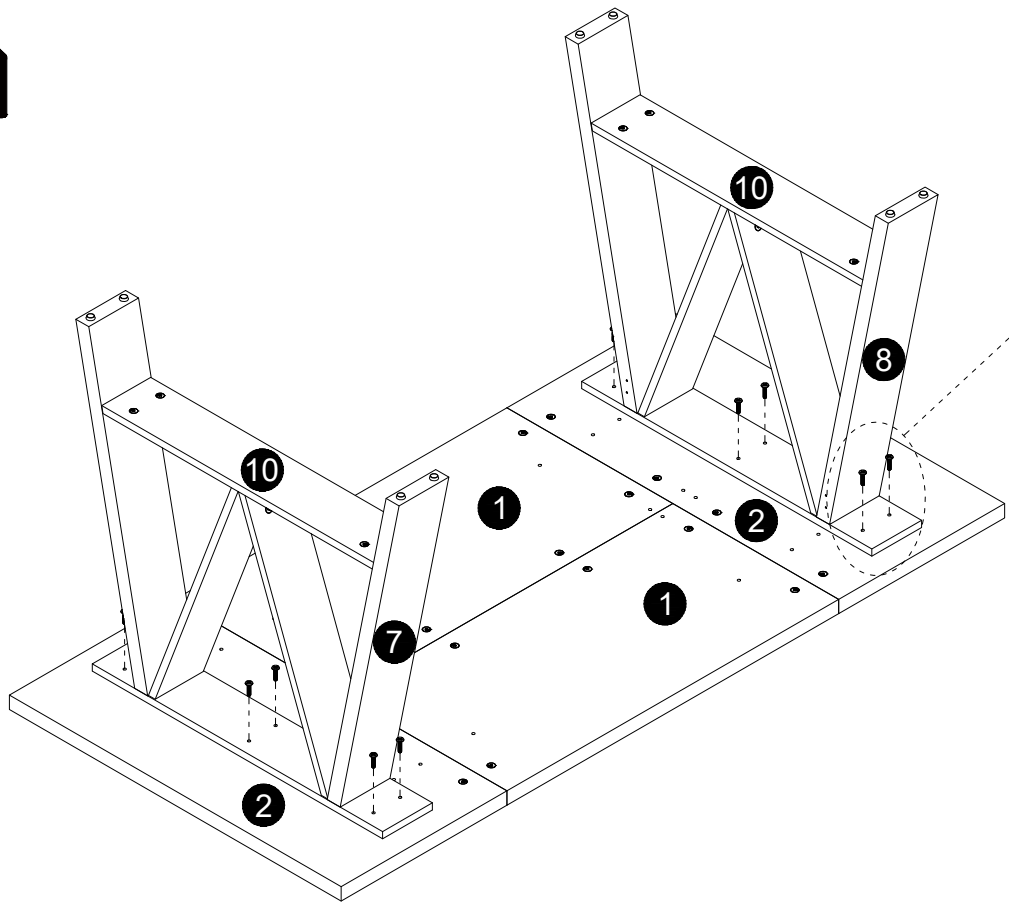
A	B	D
		
Ø5x65mm	Ø15x12mm	Ø8x60mm
2 pcs	4 pcs	3 pcs

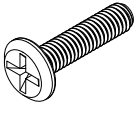
9



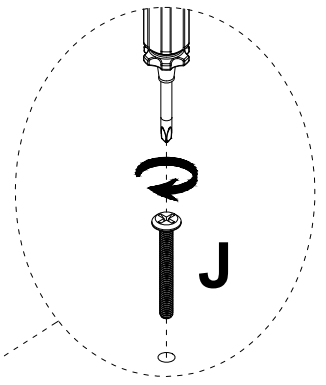
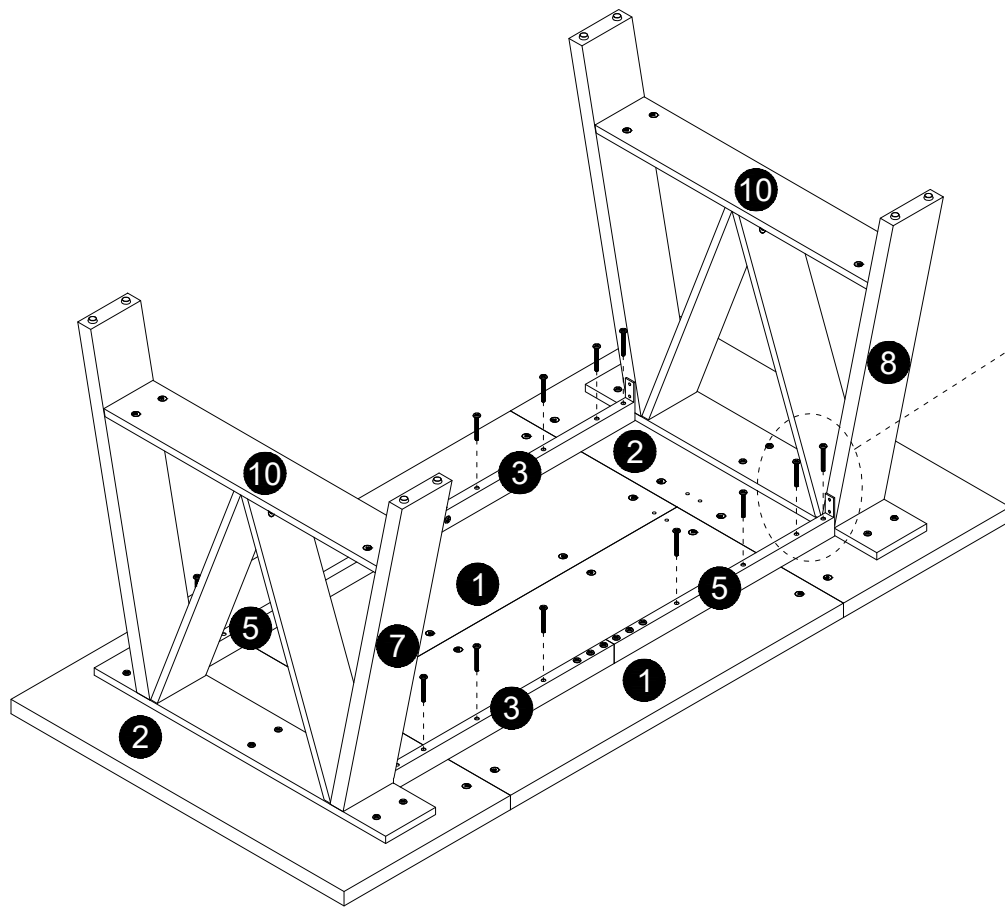
A	B	D
		
Ø5x65mm	Ø15x12mm	Ø8x60mm
8 pcs	16 pcs	8 pcs

10



K

M6x25mm
12 pcs

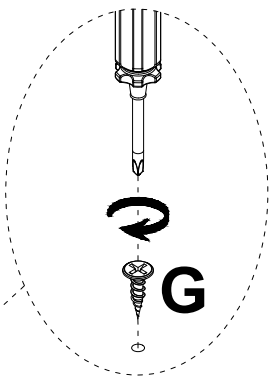
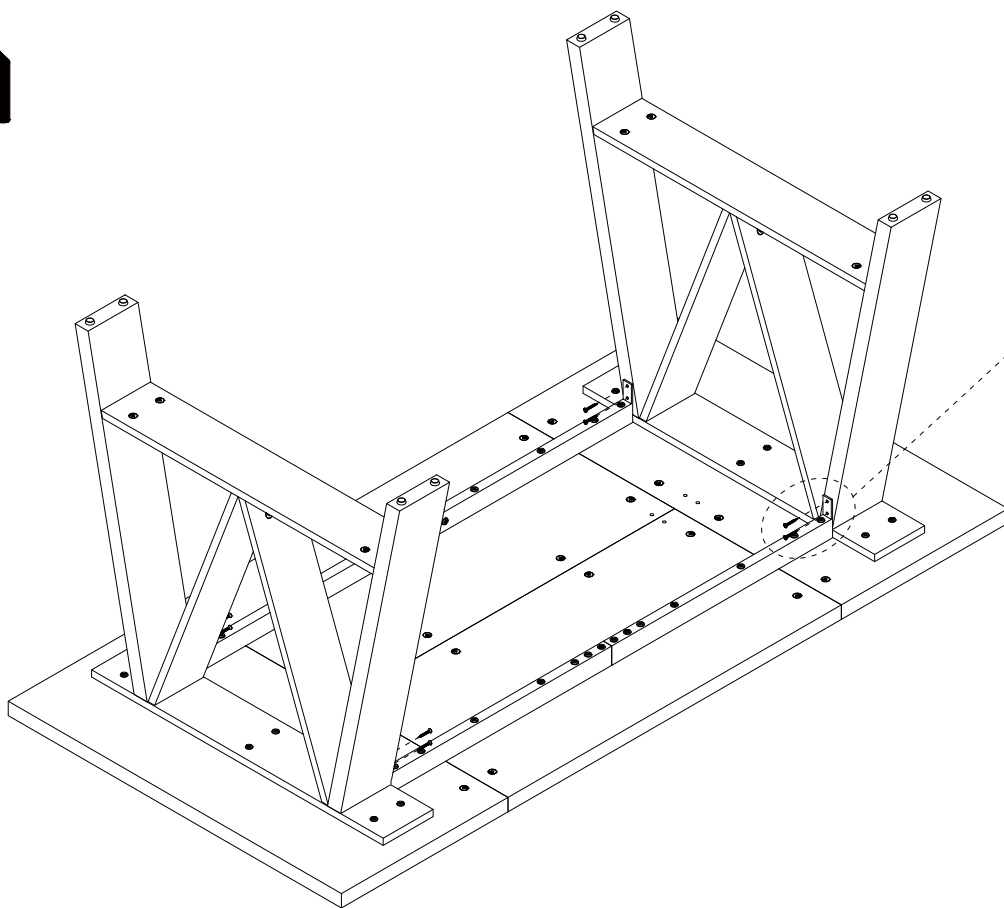
11

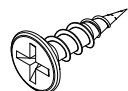


J

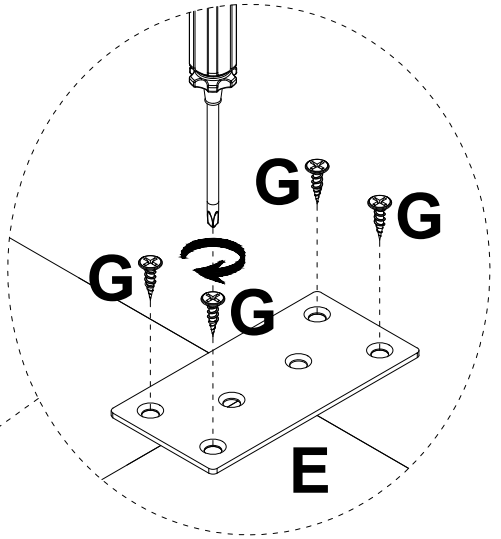
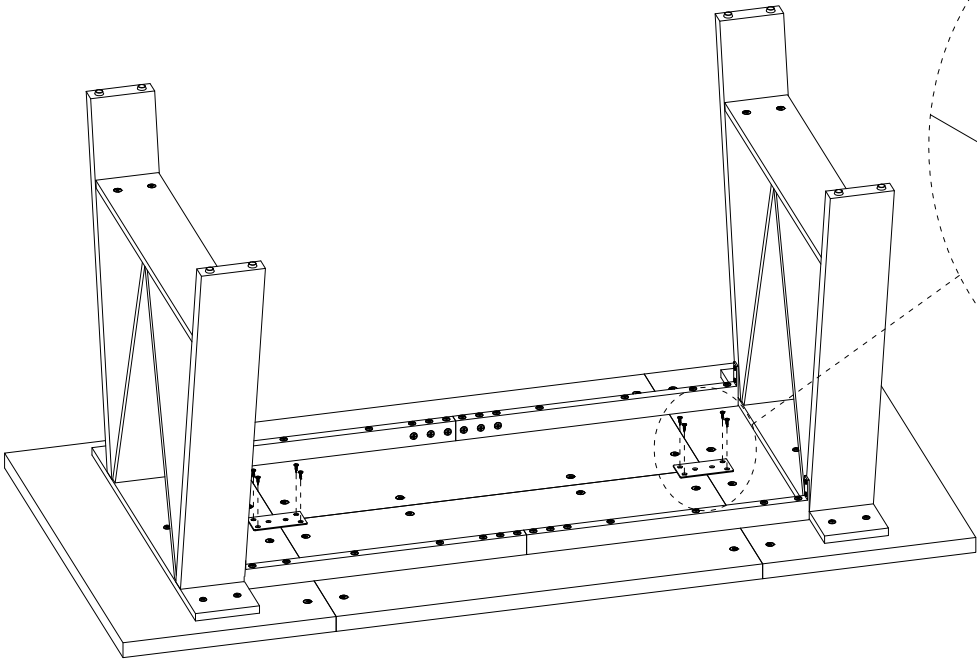
M6x50mm
16 pcs

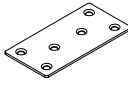
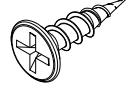
12



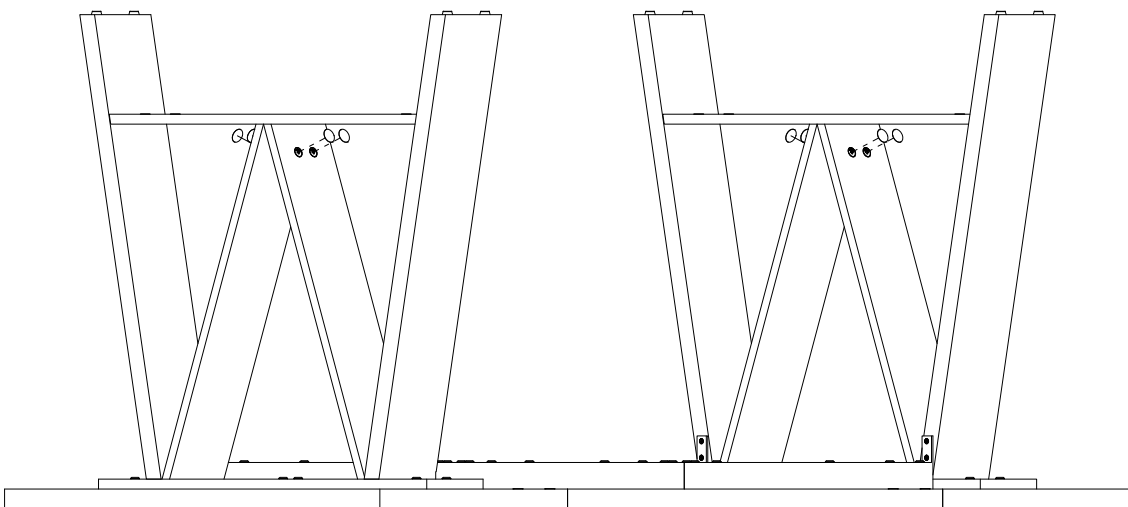
G

4x20mm
8 pcs

**13**

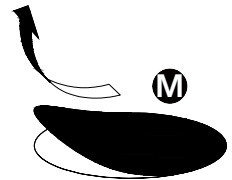


E	G
	
100x50mm	4x20mm
2 pcs	8 pcs

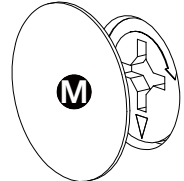
**14**



**Step 1**



**Step 2**



M

Ø21MM
8 pcs

**Thank you for your support!**

