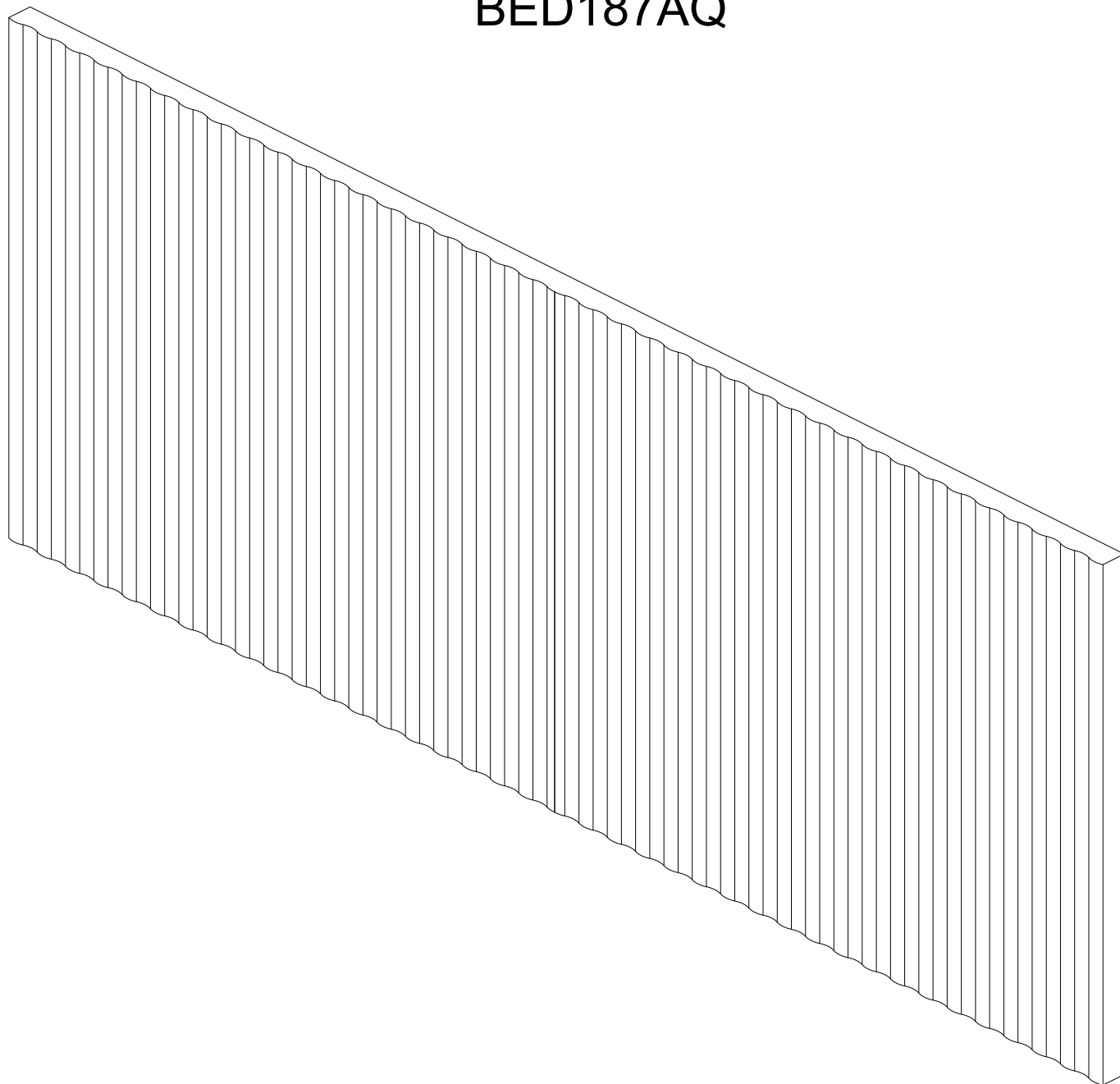
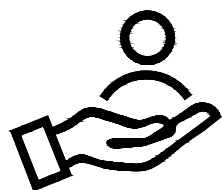


Assembly instruction

BED187AQ



“



Warm Reminder

If you experience any issues with our product (including missing parts, damage, installation issues, or not meeting expectations), please contact us. We'll ensure satisfactory assistance within 24 hours.

”

Notice


1. Please read the following instructions carefully and use the product as directed

2. Avoid allowing any sharp objects to touch or rub against the surface of the product.

3. Before beginning assembly, ensure all parts are present and correct.

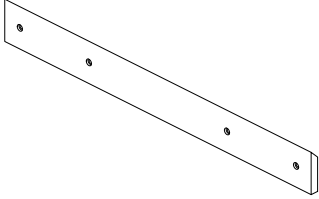
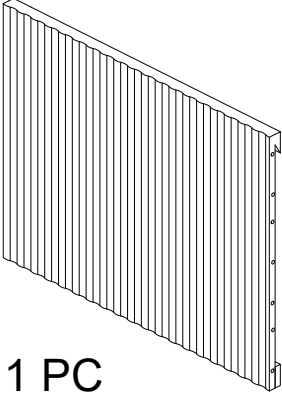
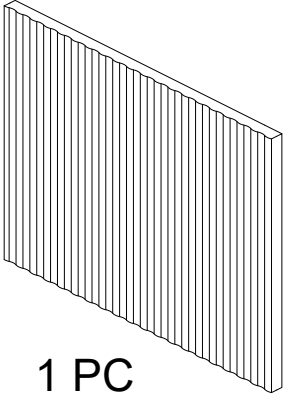
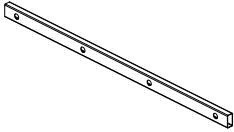
4. Please ensure holes are aligned during installation to prevent cracking. Do not fully tighten any bolts or screws until the entire unit is assembled.

Completely tighten all screws after all holes have been successfully filled with screws.

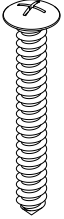
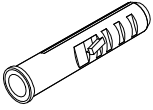

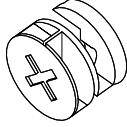
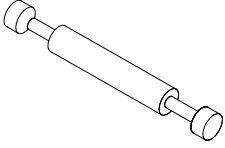
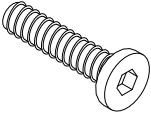
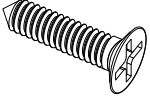
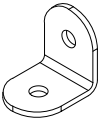
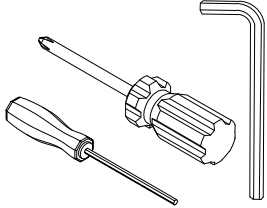
5.  Please use the power drill with great care during installation to prevent any potential injuries.

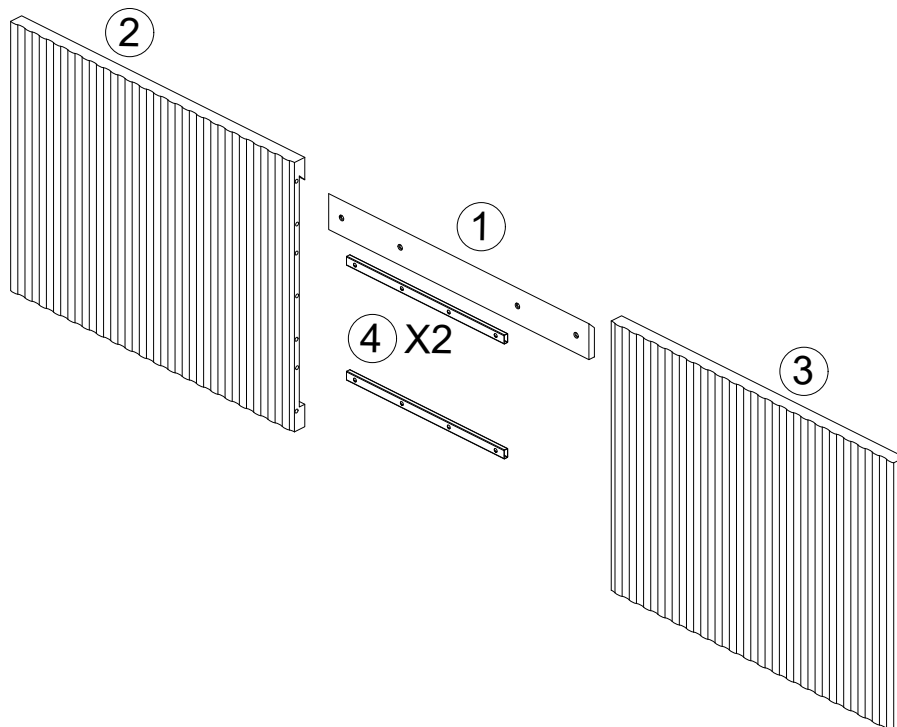
6. This manual may not cover every detail and variation of the assembly steps. Please contact us for further information or assistance if needed.

Part list

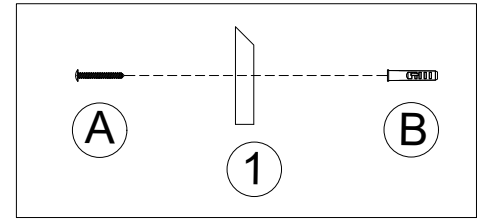
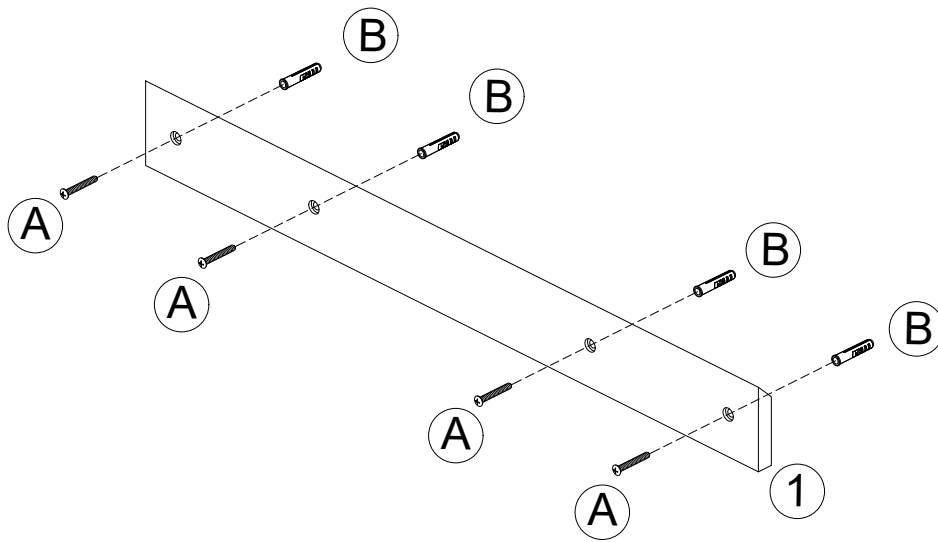
<p>①</p>  <p>1 PC</p>	<p>②</p>  <p>1 PC</p>	<p>③</p>  <p>1 PC</p>	<p>④</p>  <p>2 PCS</p>
---	--	---	---

Hardware list

<p>Ⓐ</p>  <p>P5X40mm</p> <p>6 PCS(Extra 1)</p>	<p>Ⓑ</p>  <p>8X30mm</p> <p>4 PCS(Extra 1)</p>	<p>Ⓒ</p>  <p>8X30mm</p> <p>4 PCS(Extra 1)</p>	<p>Ⓓ</p>  <p>6 PCS(Extra 1)</p>	<p>Ⓔ</p>  <p>3 PCS(Extra 1)</p>
<p>Ⓕ</p>  <p>M6X20mm</p> <p>8 PCS(Extra 1)</p>	<p>Ⓖ</p>  <p>3.5x14mm</p> <p>2 PCS(Extra 1)</p>	<p>Ⓗ</p>  <p>2 PCS(Extra 1)</p>	<p>Ⓘ</p>  <p>1 PC</p>	
<p>Tools Required: Phillips Screwdriver, Hammer, Handheld drill.</p>				

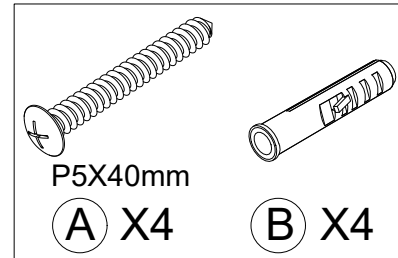


Step 1:

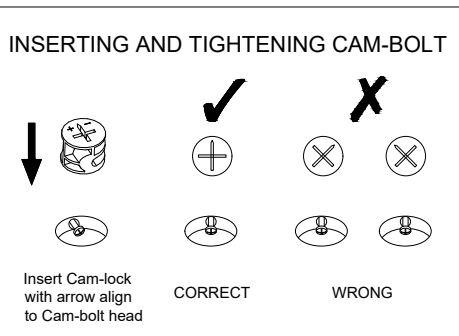


Measure the distance between the holes.
 Mark four holes in the wall and keep them horizontal.
 Drill small guide holes with your handheld drill at the mark place.
 Insert the Anchors into the wall with your hammer.
 Attach the wooden planks to the wall using screws as shown.

A drill with a diameter of 8mm(5/16 in).
The hole depth is 40mm (1 37/64in).

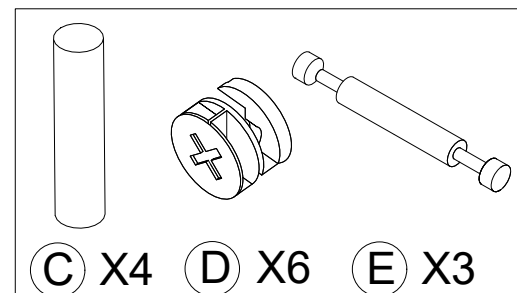
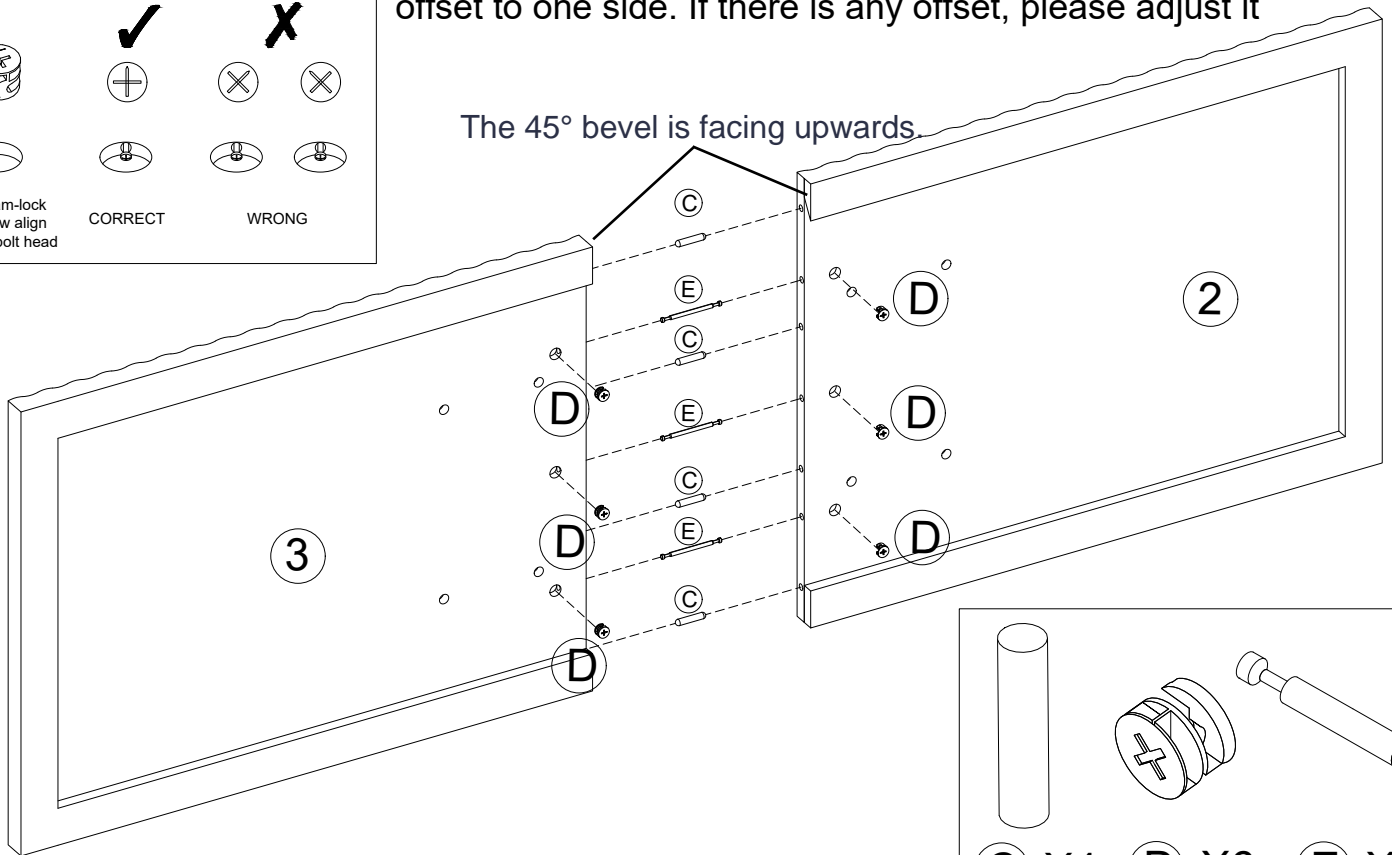


Step 2:

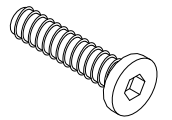
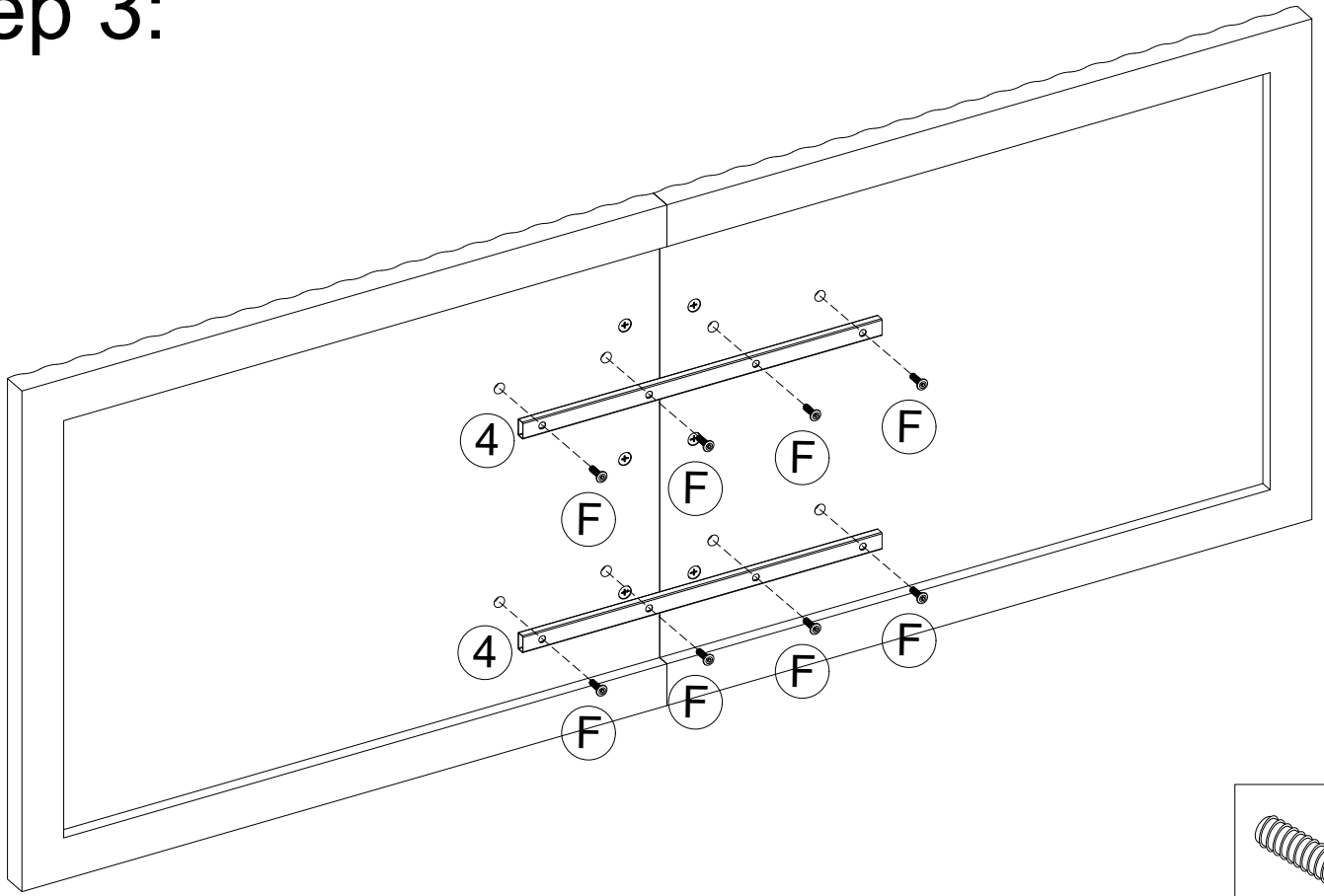


Attention!!! After locking part D on one side, part E may be offset to one side. If there is any offset, please adjust it

The 45° bevel is facing upwards.



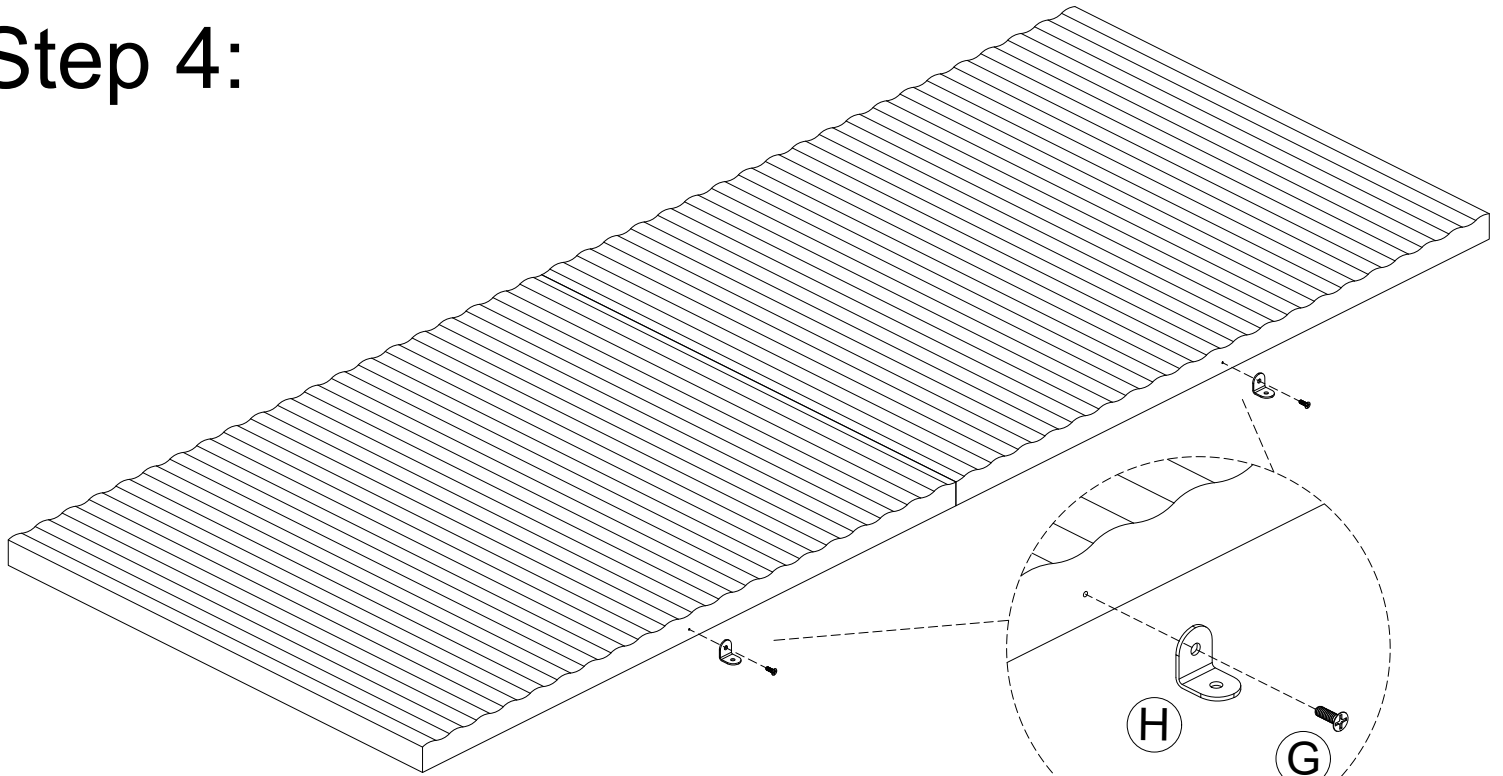
Step 3:



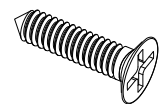
M6X20mm

(F) X8

Step 4:

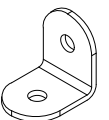


When installing Part H, ensure that its flat surface aligns with the flat section (not the corrugated section) of the wooden plank.



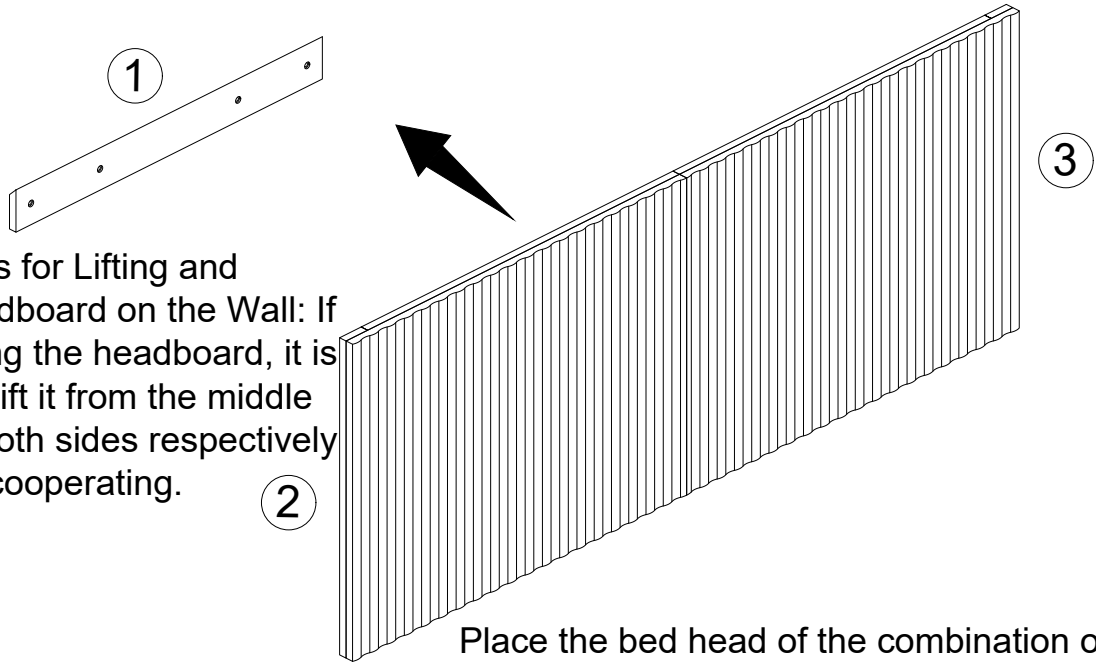
3.5X14mm

(G) X2



(H) X2

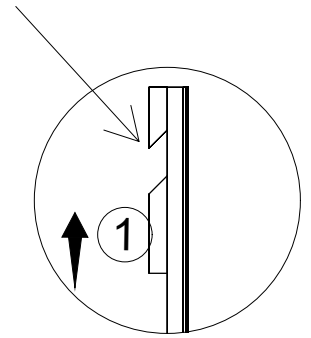
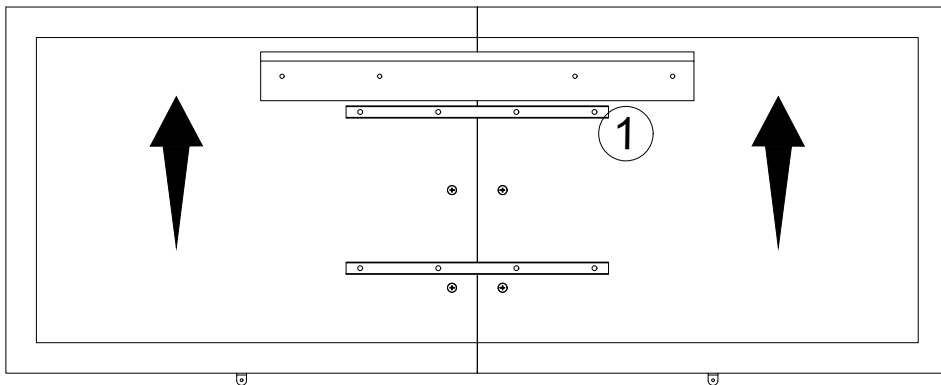
Step 5:



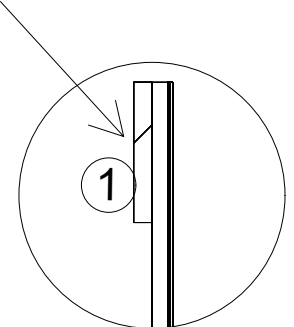
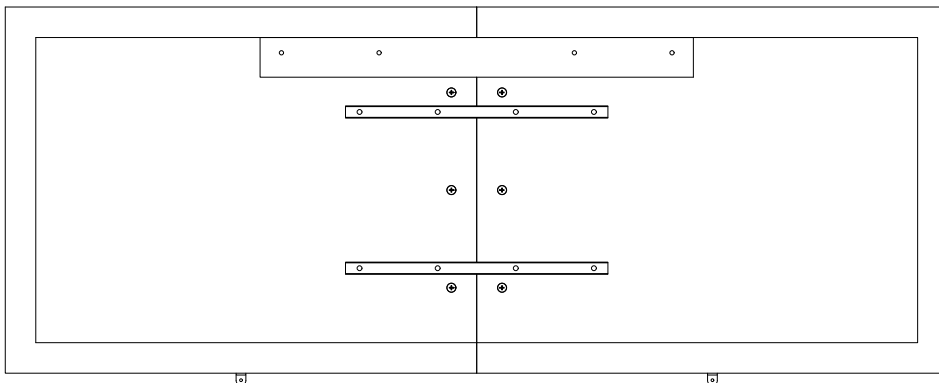
Recommendations for Lifting and Mounting the Headboard on the Wall: If one person is lifting the headboard, it is recommended to lift it from the middle section; lift from both sides respectively if two people are cooperating.

Place the bed head of the combination of No. 2 and No. 3 into the oblique slot of No. 1 board, ensuring alignment with the card slot position.

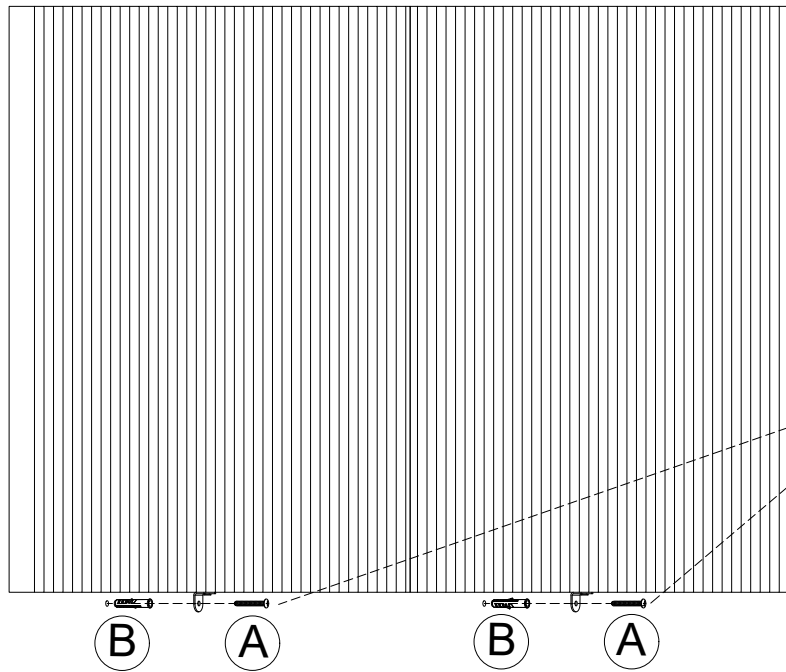
Pay attention to the direction of the card slot and do not place it upside down



Align the card slot and snap it in place to complete the assembly



Step 6:



Measure the distance between the holes.

Mark the corresponding holes in the wall and keep them horizontal.

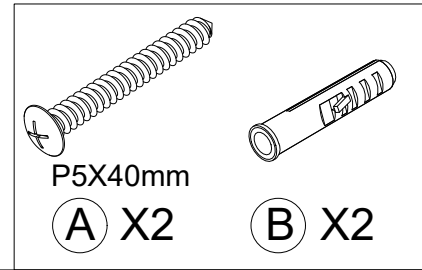
Drill small guide holes with your handheld drill at the mark place.

Insert the Anchors into the wall with your hammer.

Attach the wooden planks to the wall using screws as shown.

A drill with a diameter of 8mm (5/16 in).

The hole depth is 40mm (1 37/64 in).



Complete

