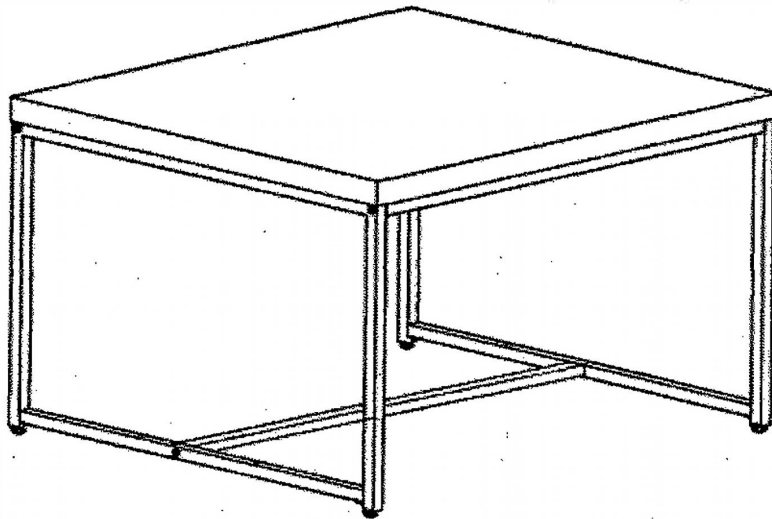
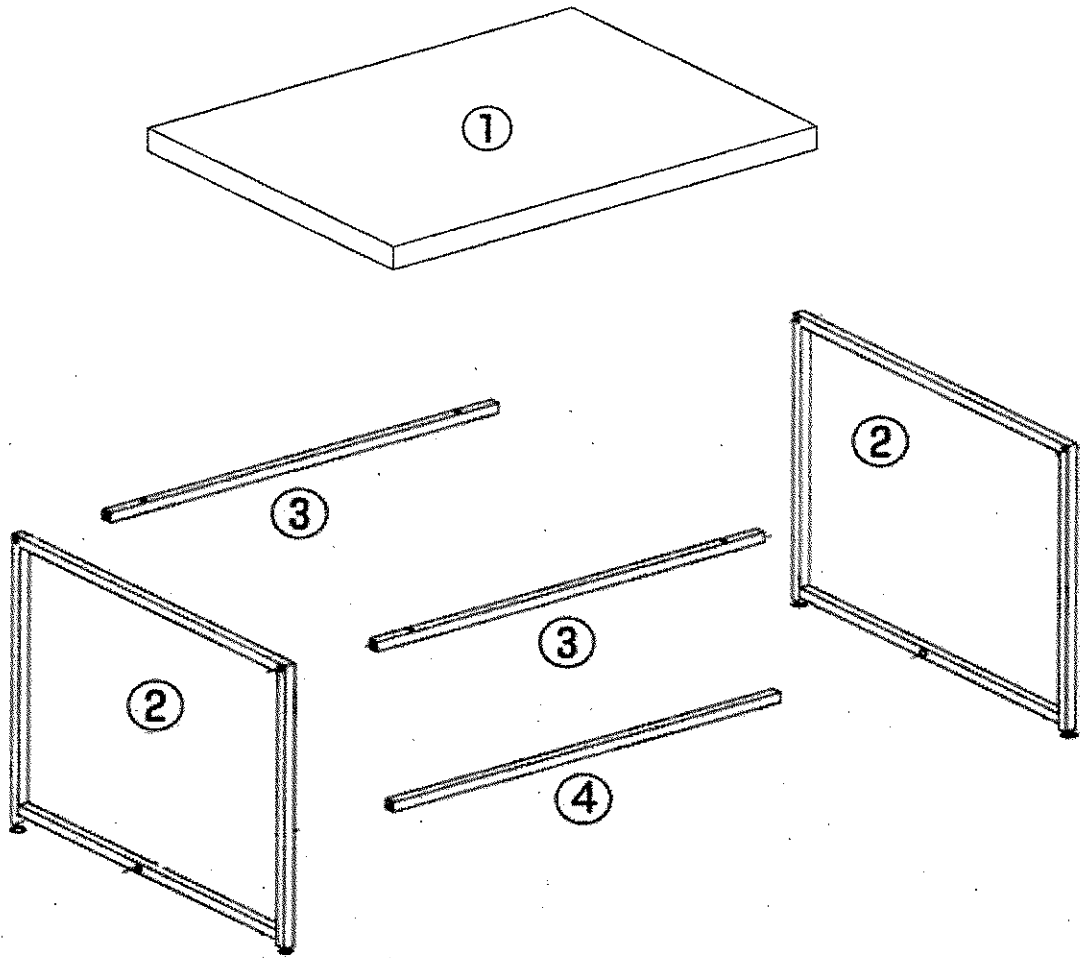


ASSEMBLY INSTRUCTIONS



Size: 560x480x508mmH

PARTS

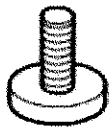


(A)



x10

(B)



x4

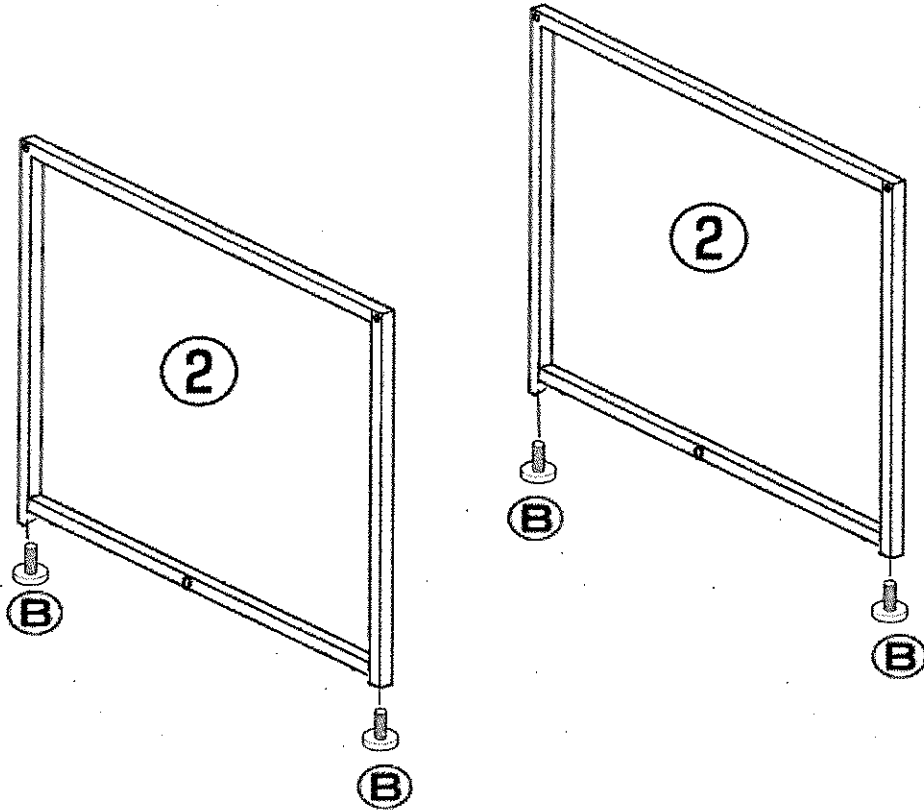
(C)



x1

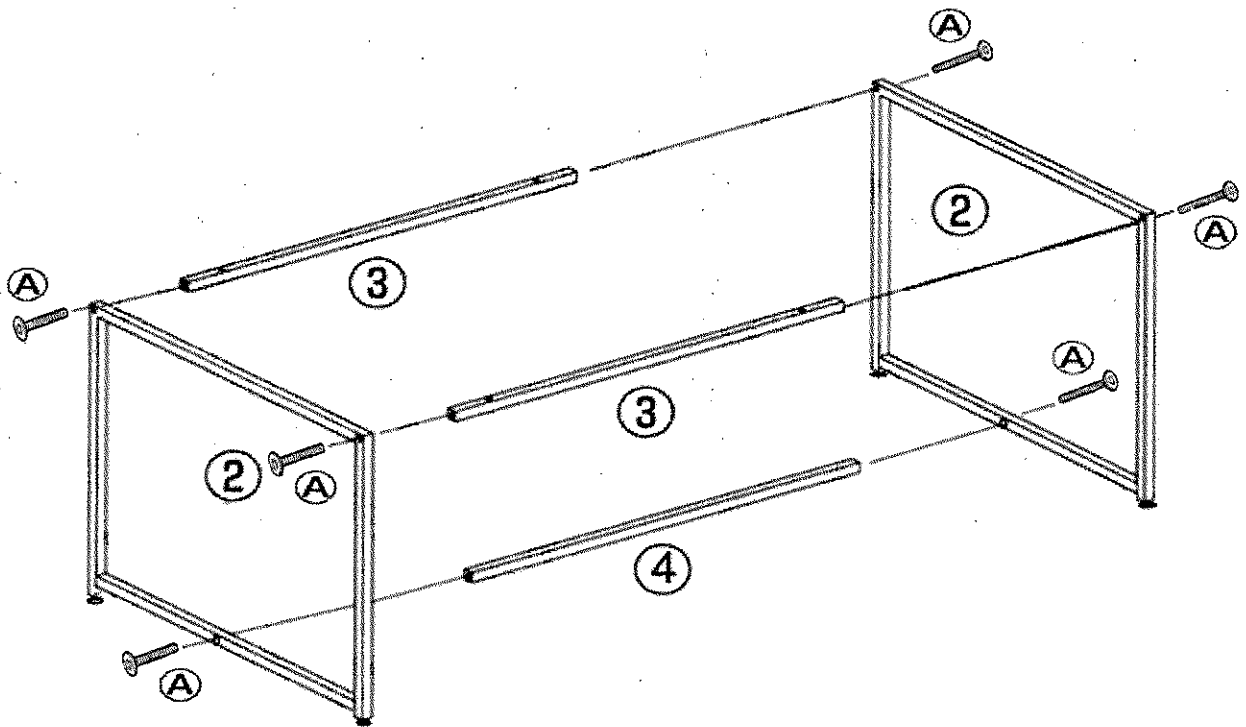
1

 B x 4

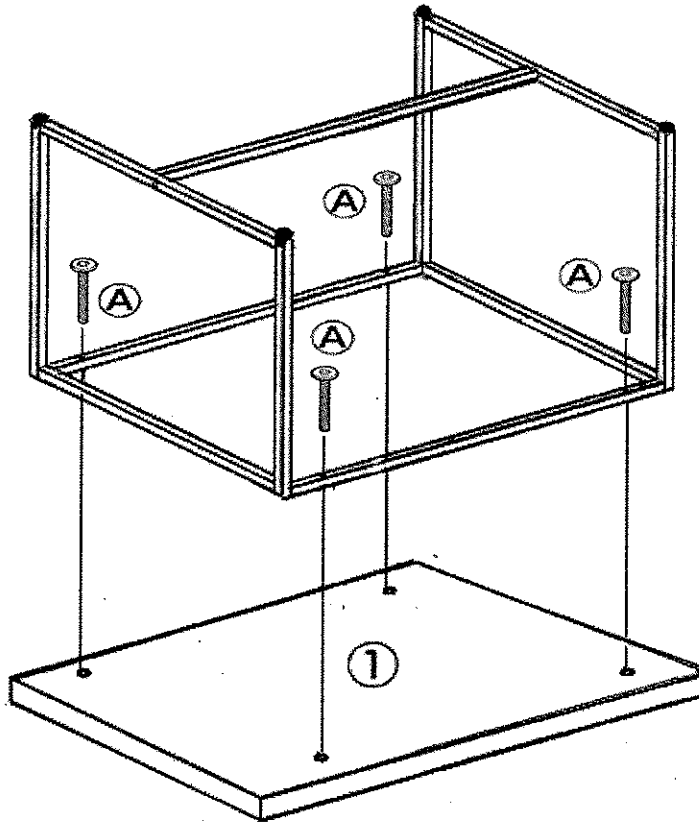
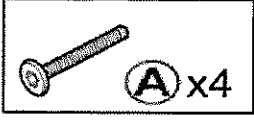


2

 A x 6



3



4

