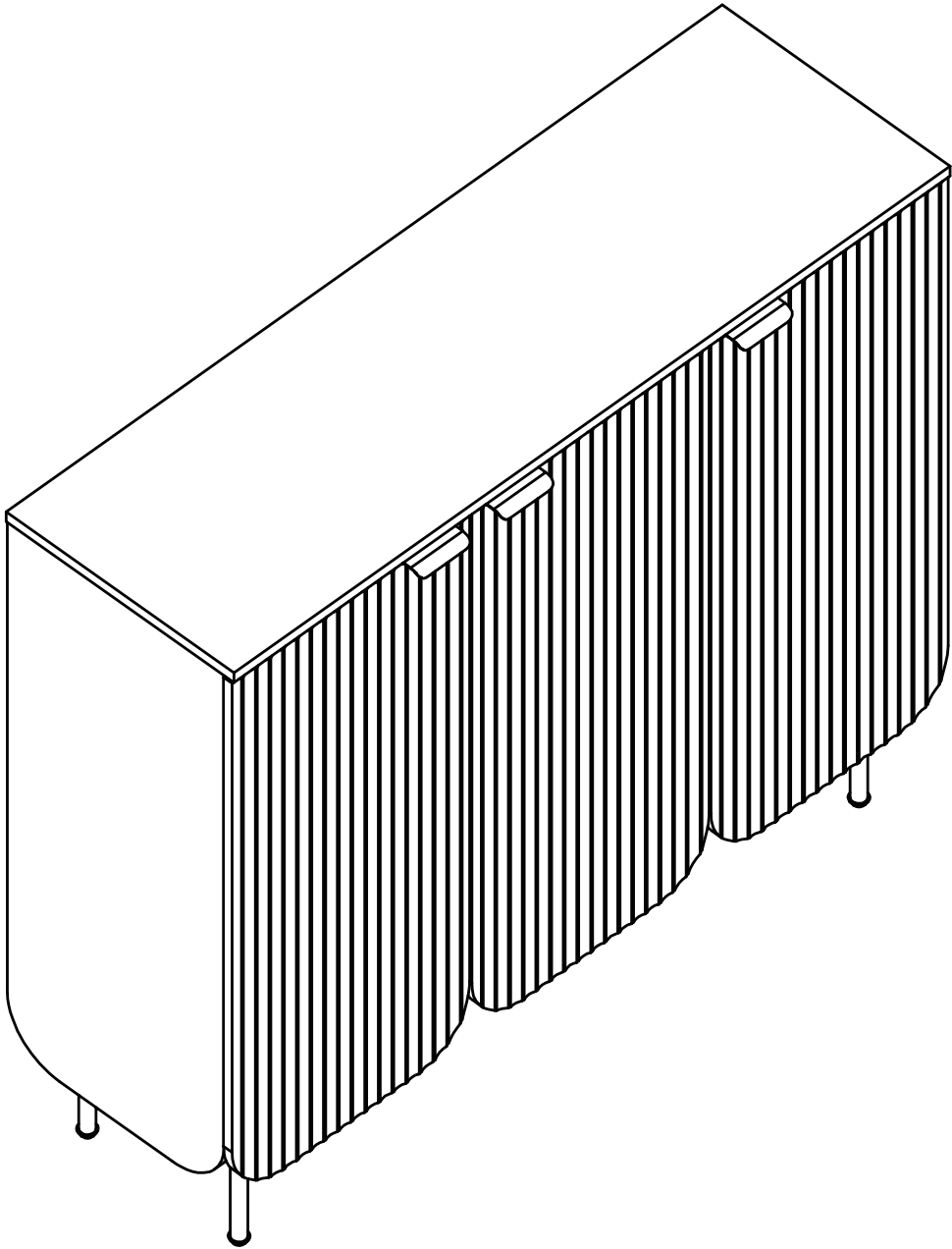
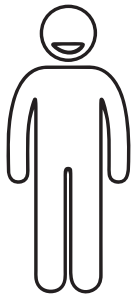
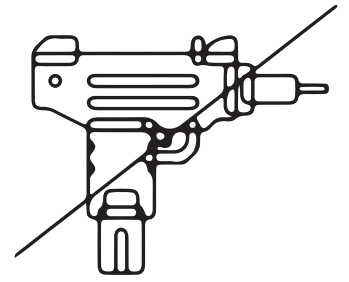
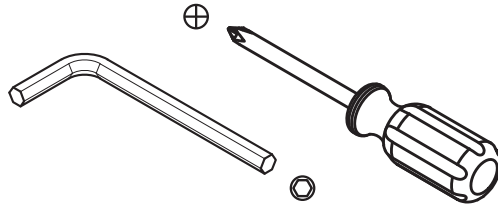


ASSEMBLY INSTRUCTION





× 2



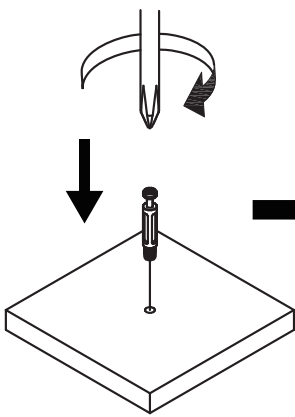
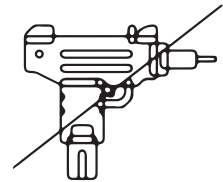
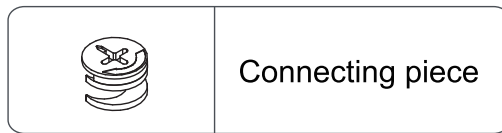
Before You Begin

Two people are recommended for the assembly.

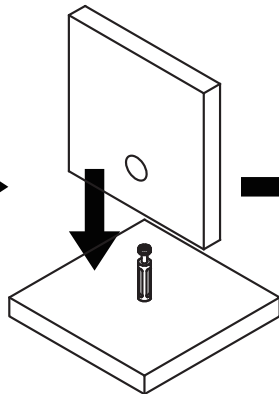
Use the included tools.

If using a power tool, use low power and torque.

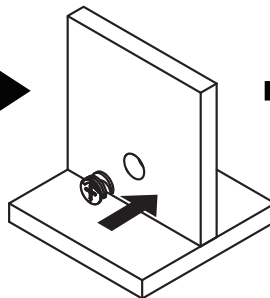
Installation of Eccentric Unit



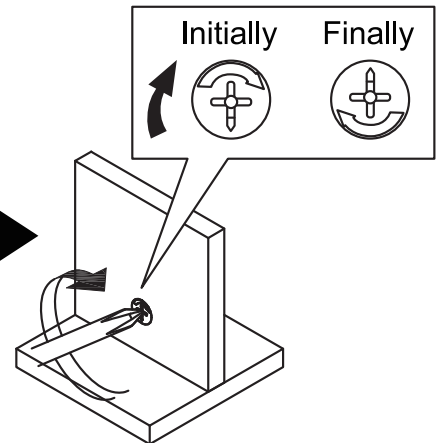
1



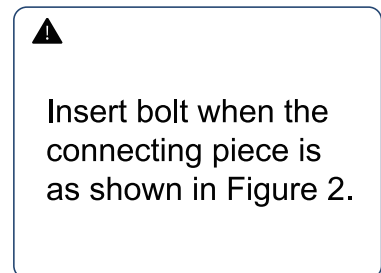
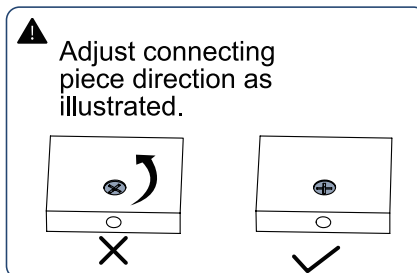
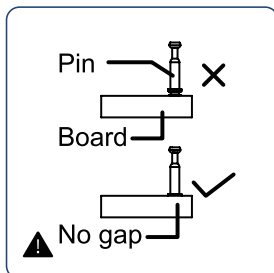
2

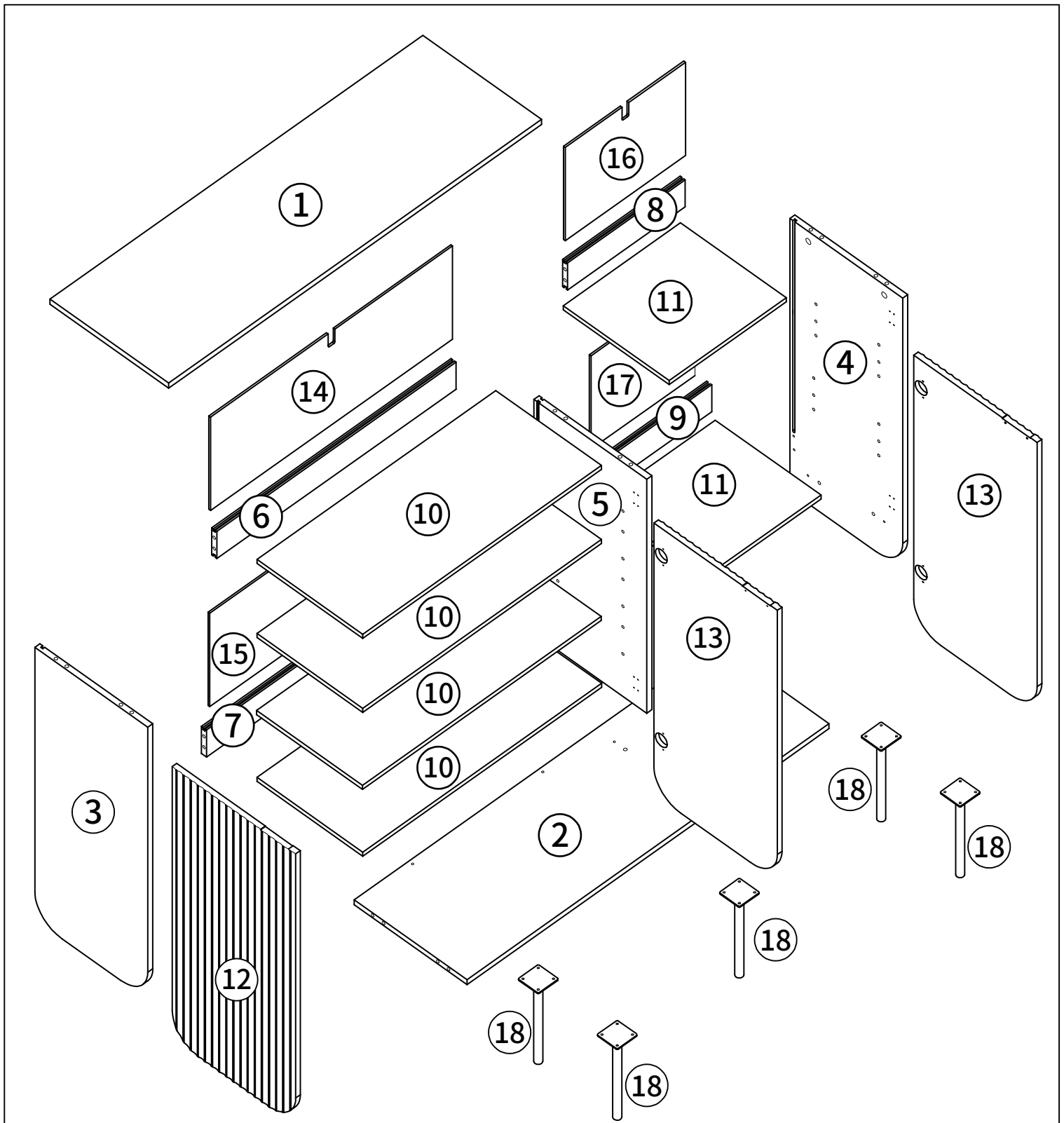


3



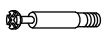





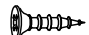


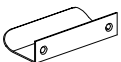
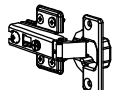
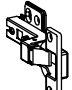


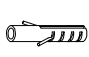
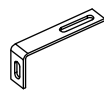
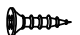
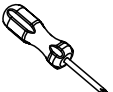
4



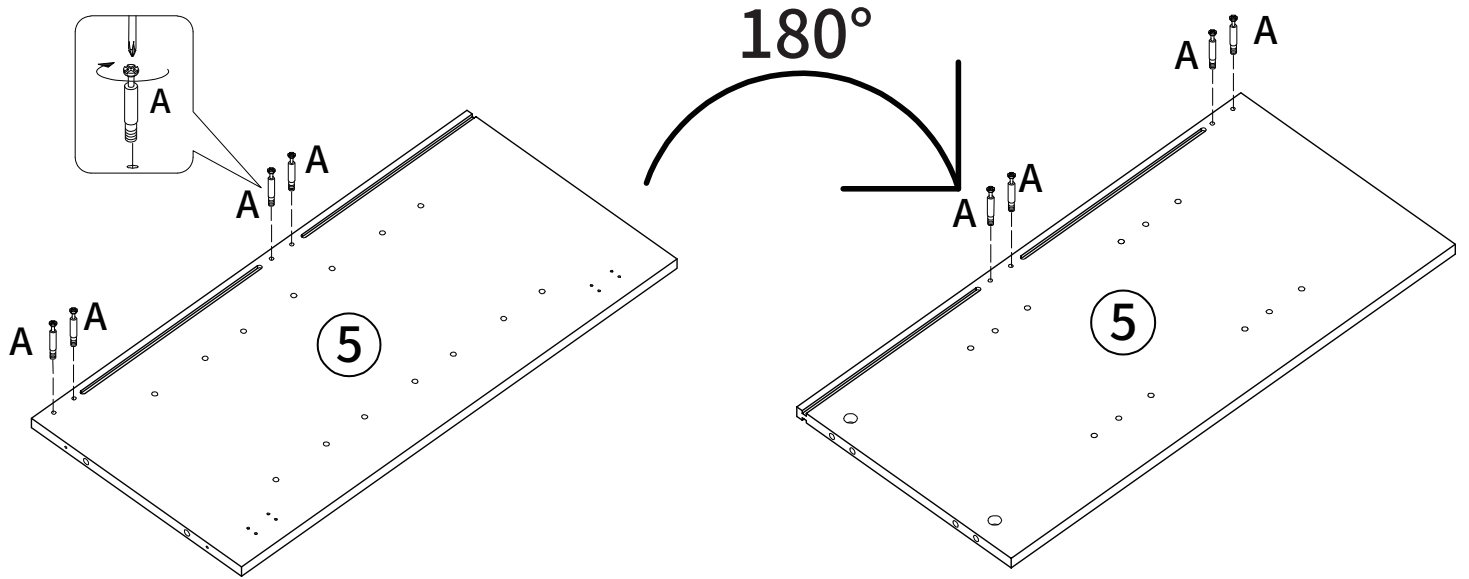


Package Contents: Hardware

Please count and verify all parts before assembly.

A × 29	B × 29	C × 12	D × 2	E × 16	F × 24	G × 52	H × 5	I × 6
								
M6x35mm	Φ15mm	Φ8x30mm	M5x50mm			M3.5x14mm		Ø 20
J × 3	K × 4	L × 2	M × 22	N × 2	O × 2	P × 2	Q × 6	
								
			M4x14mm	M4x35mm			M3.5x14mm	

1

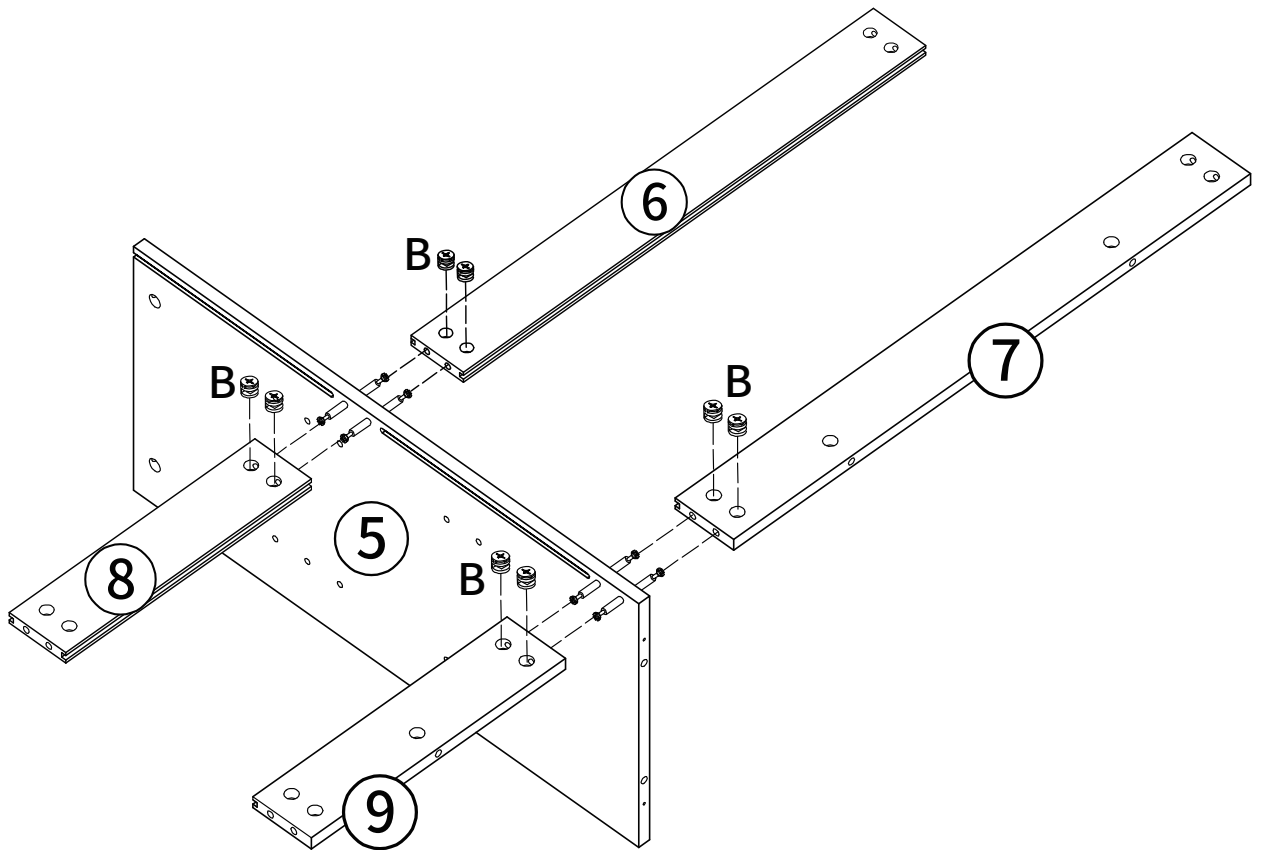


A × 8



Screw (A) into the holes on both sides of panel (5).

2

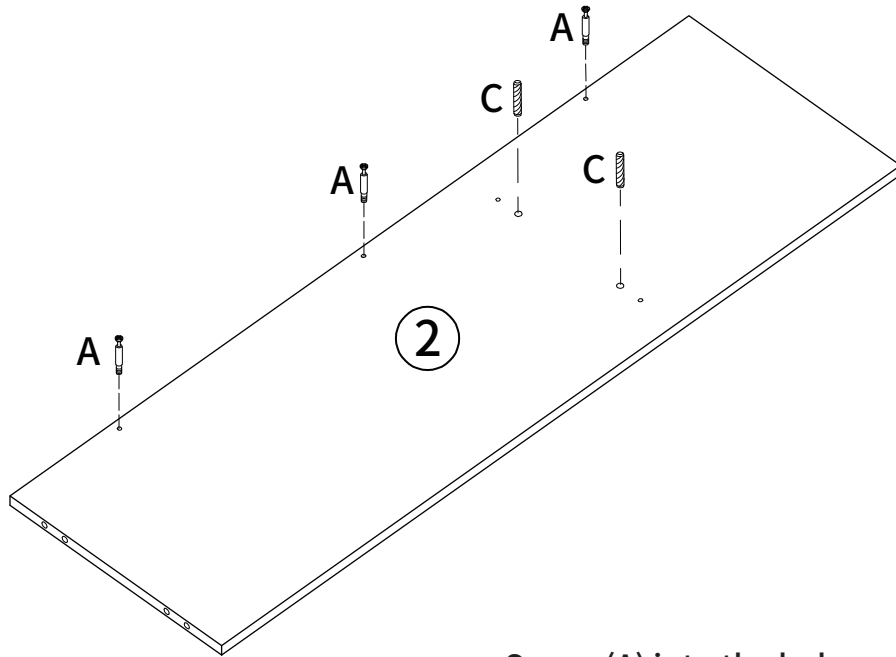


B × 8



Connect panels (6) (7) (8) and (9) to panel (5), then tighten with (B).

3



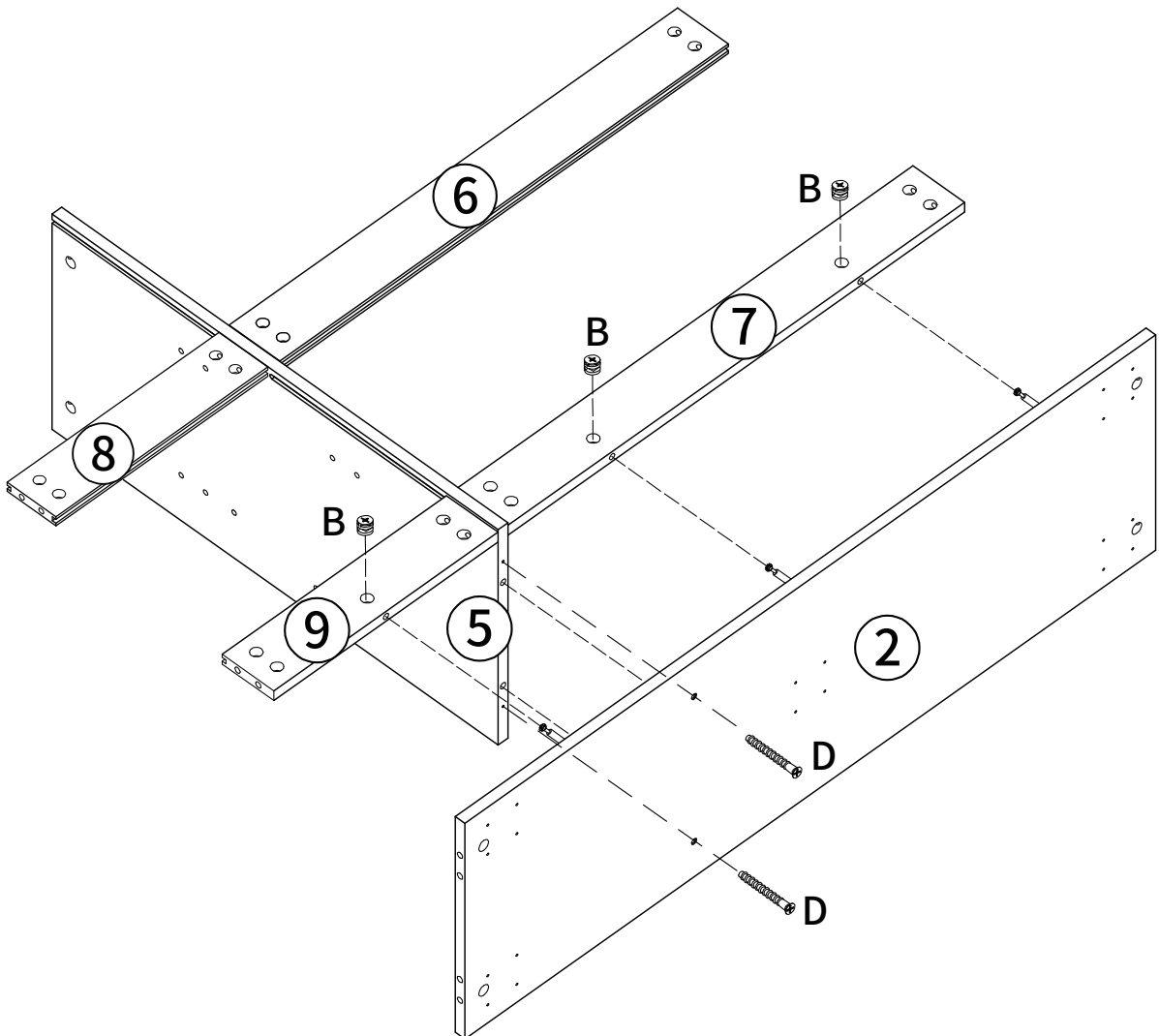
A × 3

C × 2



Screw (A) into the holes on panel (2).
Insert (C) into the holes on panel (2).

4



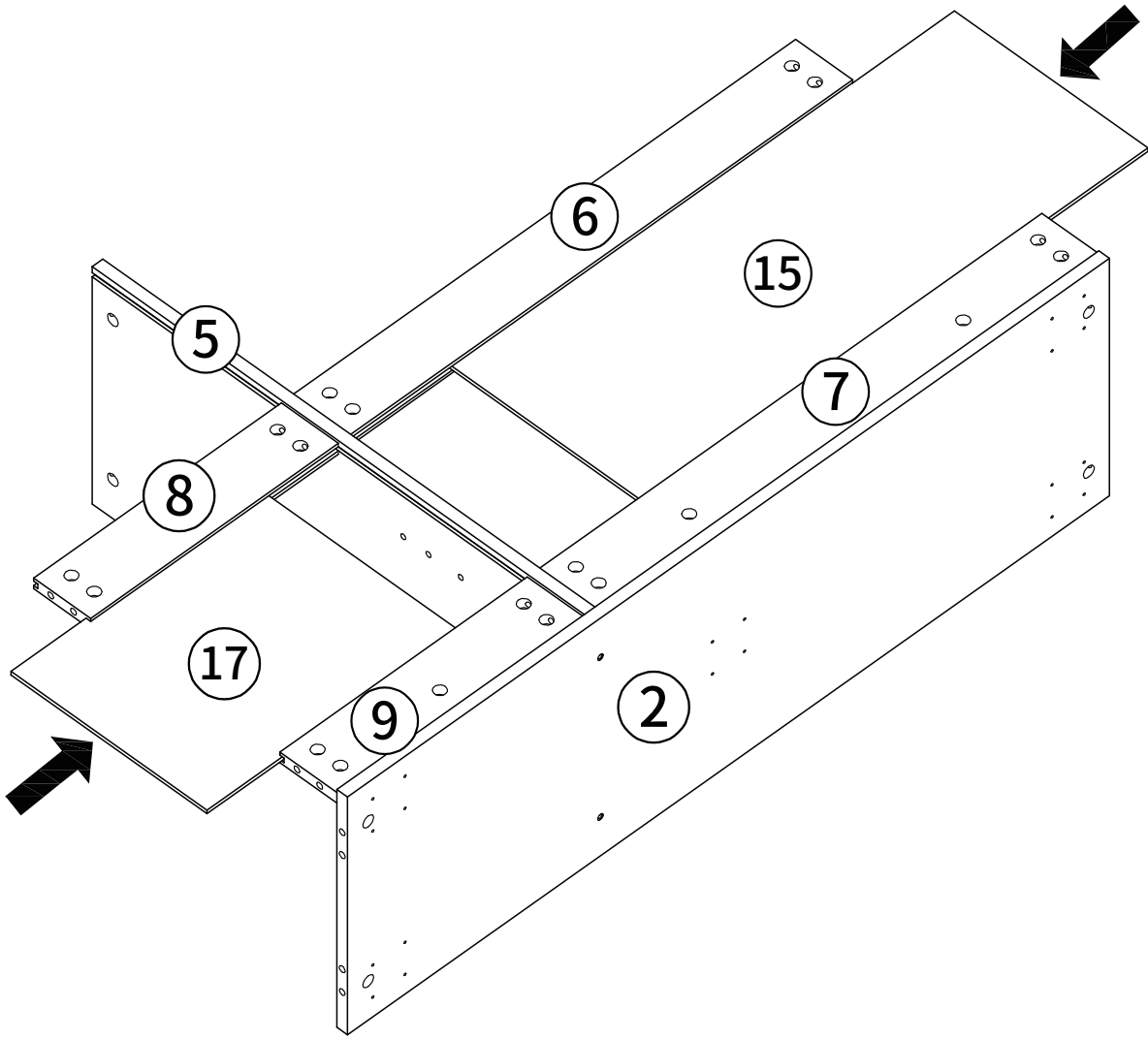
B × 3

D × 2



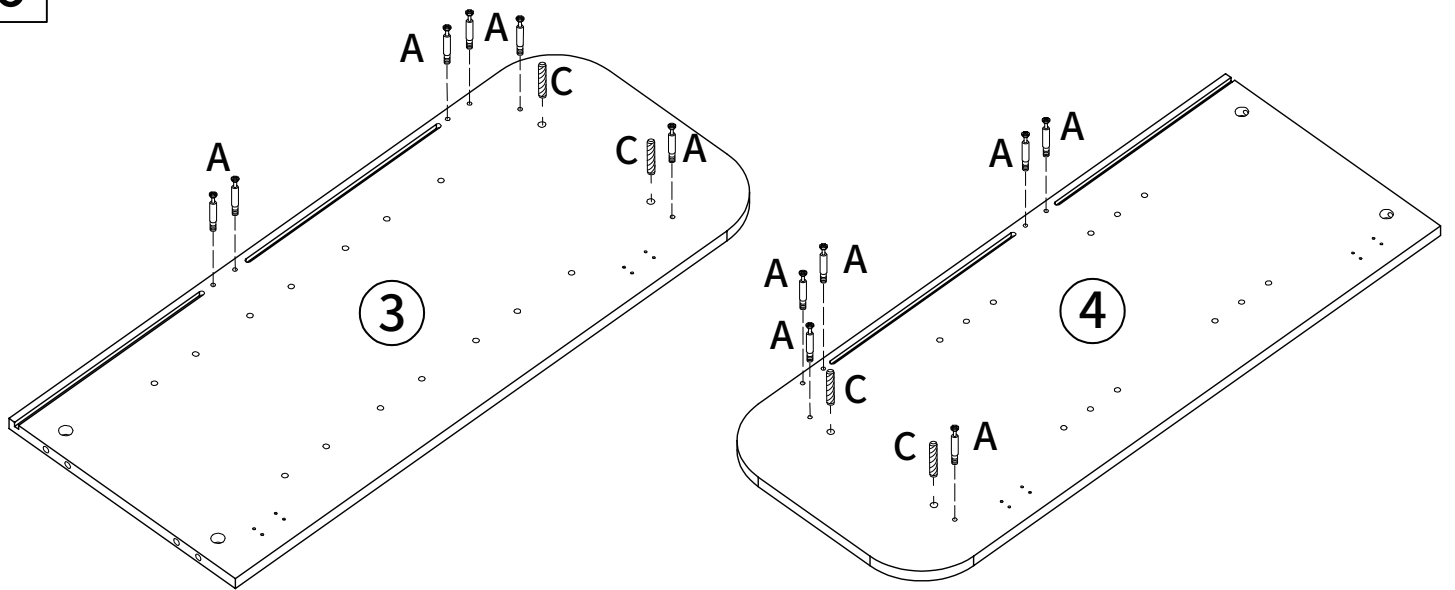
Connect panel (2) to panels (7) and (9), and tighten with (B).
Screw (D) through panel (2) into panel (5).

5



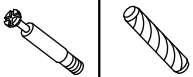
Slide panels (15) and (17) into the grooves of panels (5) (6) (7) (8) and (9).

6

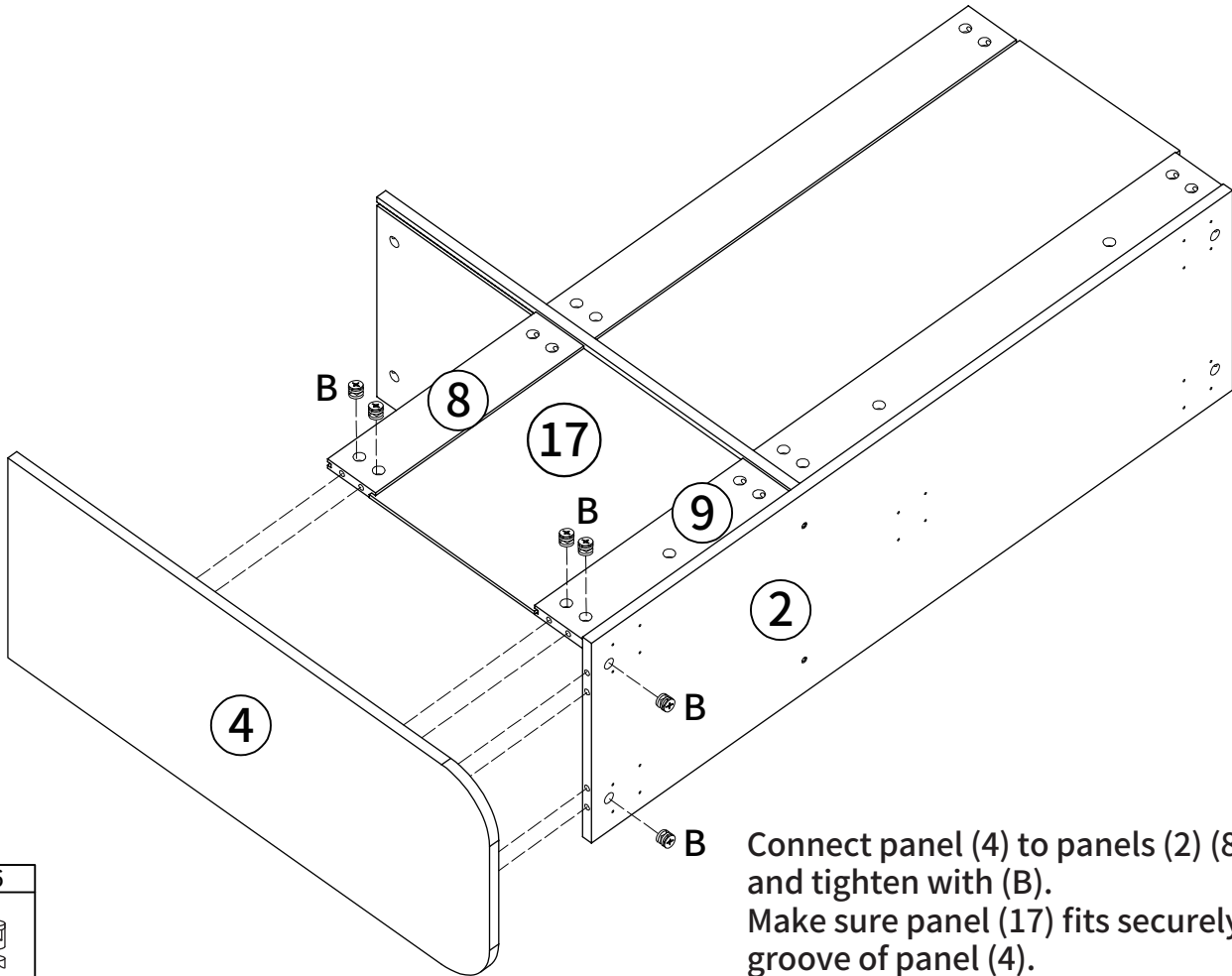


Screw (A) into the holes of panels (3) and (4).
Insert (C) into the holes of panels (3) and (4).

A × 12 C × 4



7

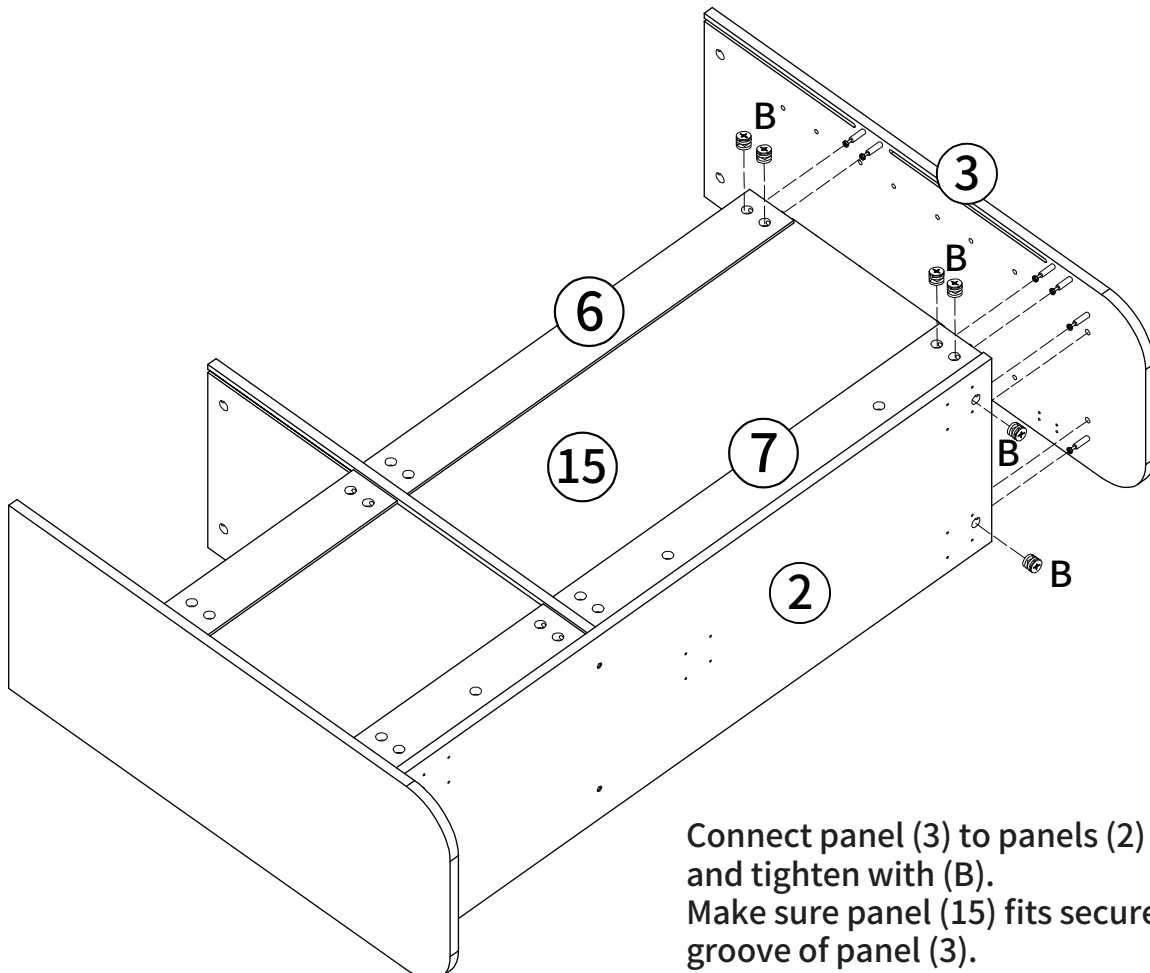


B × 6



Connect panel (4) to panels (2) (8) and (9), and tighten with (B).
Make sure panel (17) fits securely into the groove of panel (4).

8

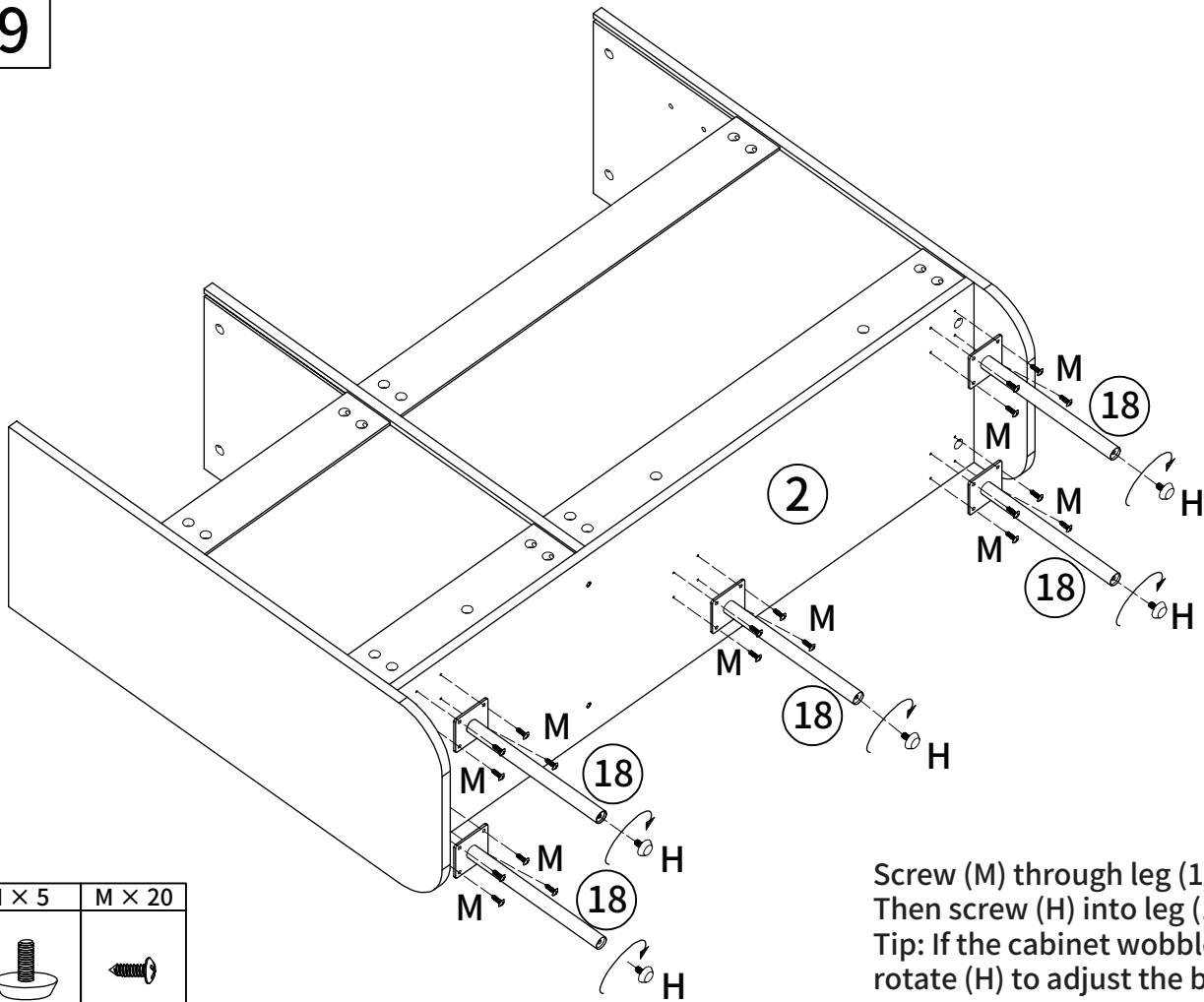


B × 6



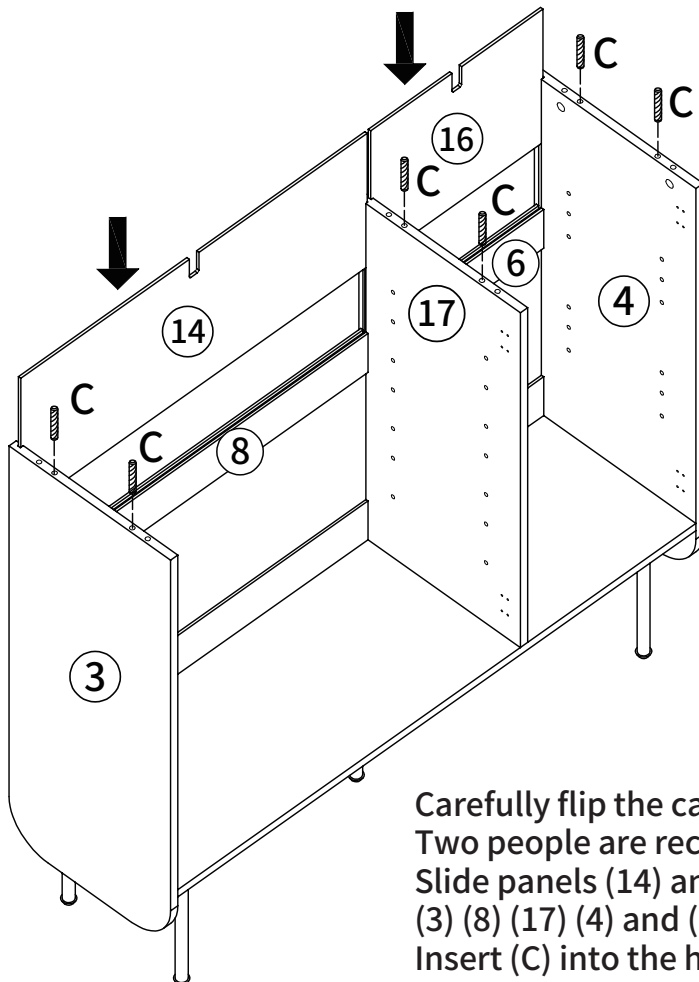
Connect panel (3) to panels (2) (6) and (7), and tighten with (B).
Make sure panel (15) fits securely into the groove of panel (3).

9



Screw (M) through leg (18) into panel (2).
Then screw (H) into leg (18).
Tip: If the cabinet wobbles or is uneven,
rotate (H) to adjust the balance.

10

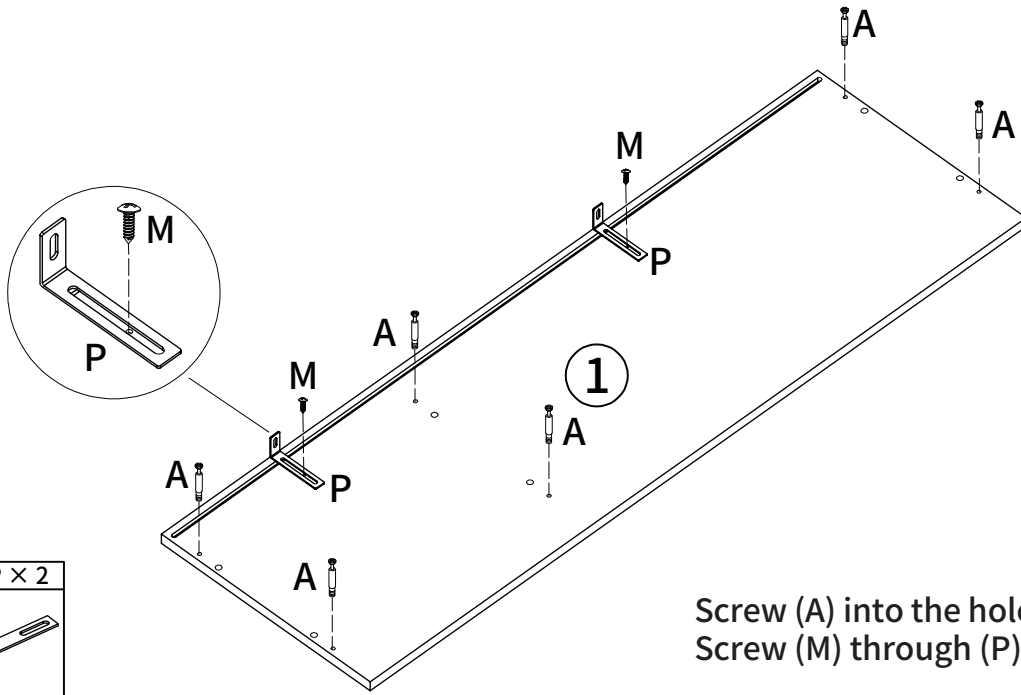





Carefully flip the cabinet upright.
Two people are recommended to lift it to avoid leg damage.
Slide panels (14) and (16) into the grooves of panels
(3) (8) (17) (4) and (6).
Insert (C) into the holes of panels (3) (4) and (17).

C × 4



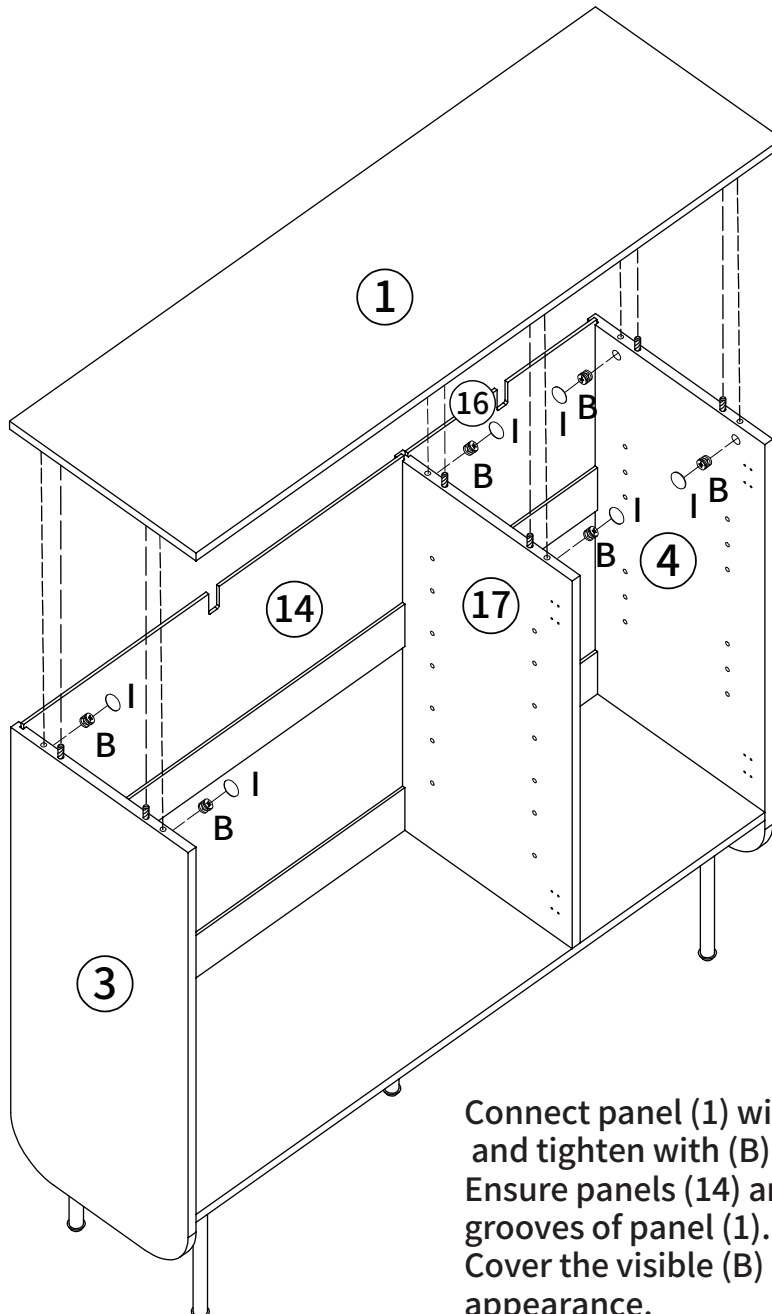
11





A × 6	M × 2	P × 2
		

Screw (A) into the holes of panel (1).
Screw (M) through (P) into panel (1).

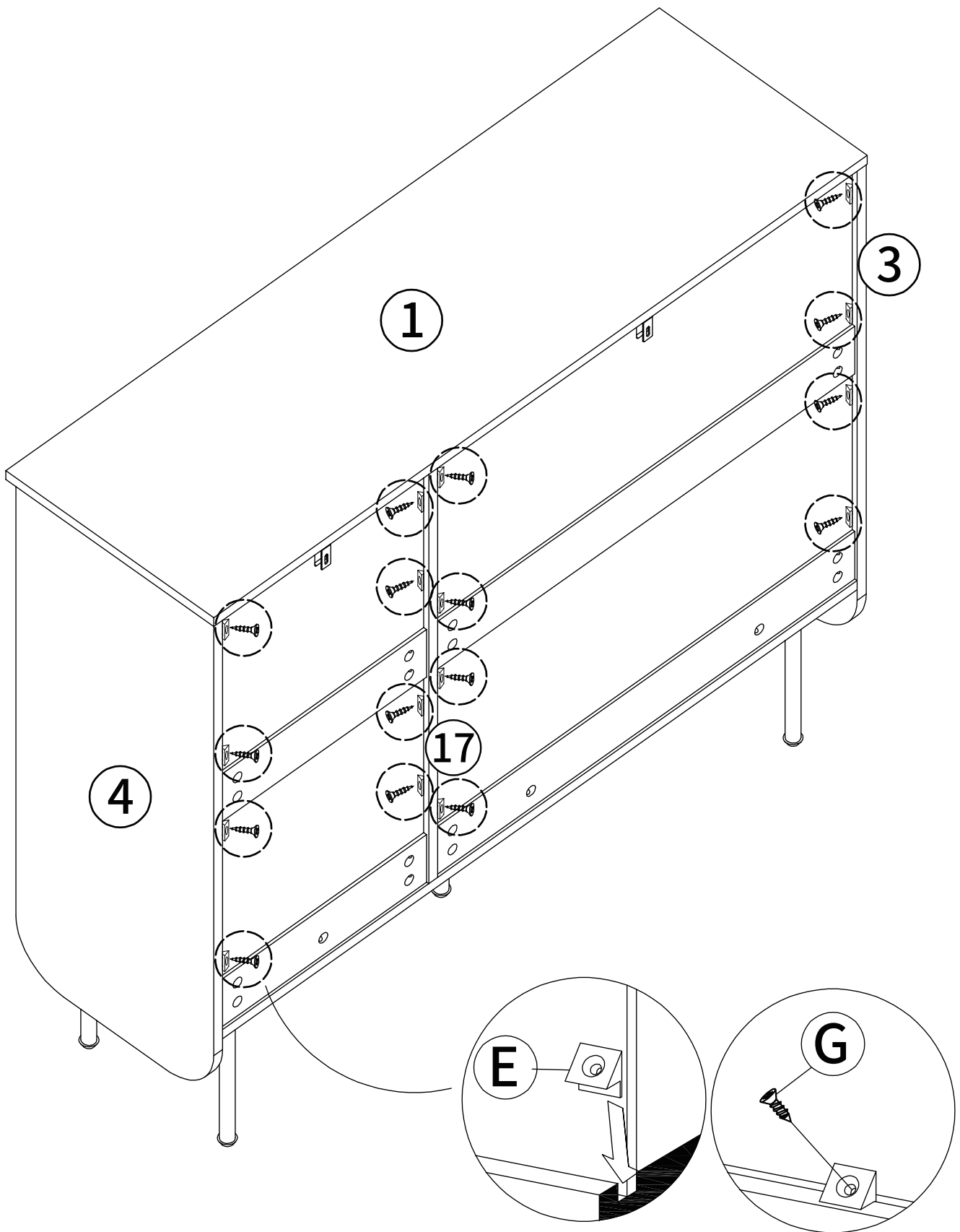
12



B × 6	I × 6
	

Connect panel (1) with panels (3) (4) and (17),
and tighten with (B).
Ensure panels (14) and (16) fit securely into the
grooves of panel (1).
Cover the visible (B) screws with (I) for a neat
appearance.

13

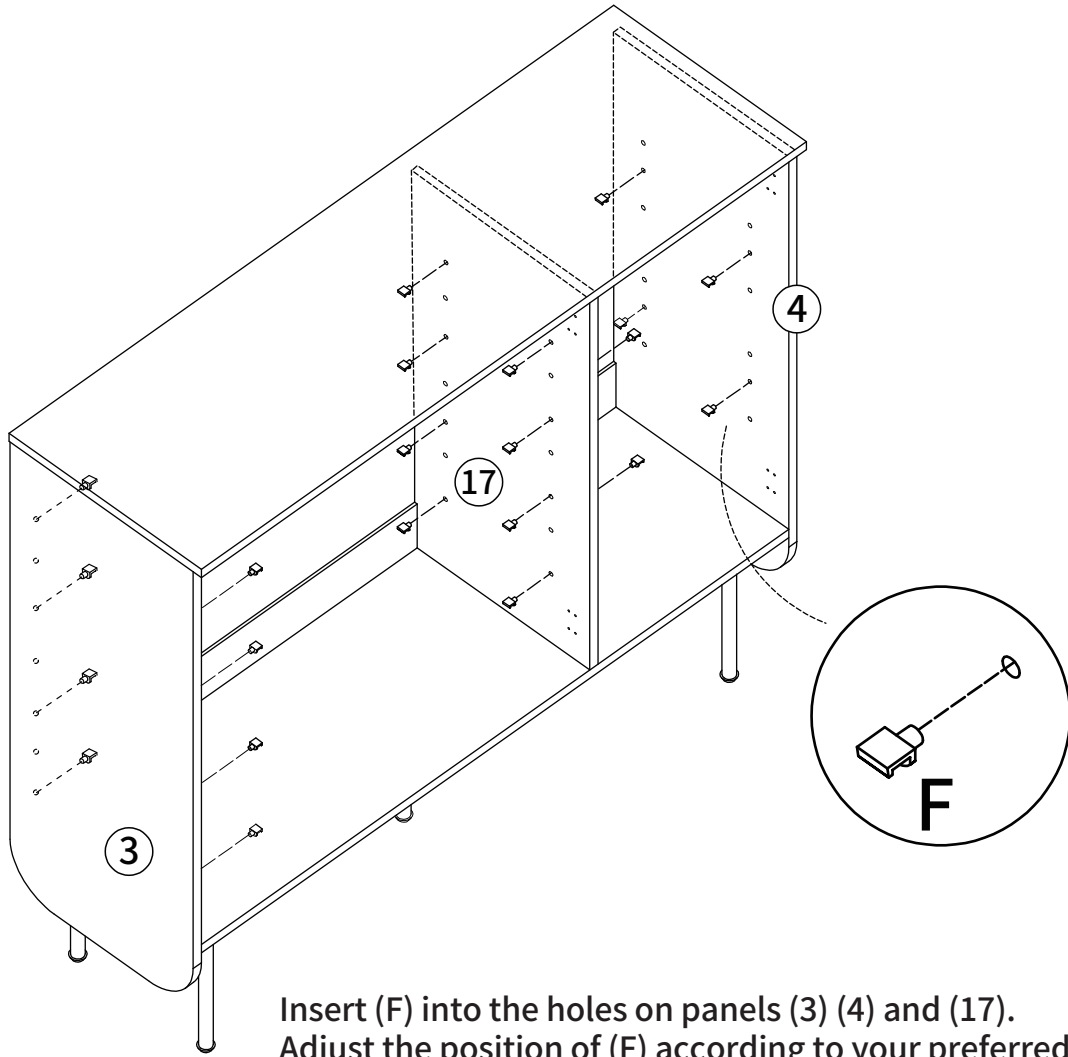


E × 16 G × 16



Insert (E) into the gaps between panels (3) (4) and (17).
Screw (G) into (E) to fix and reinforce the cabinet.

14

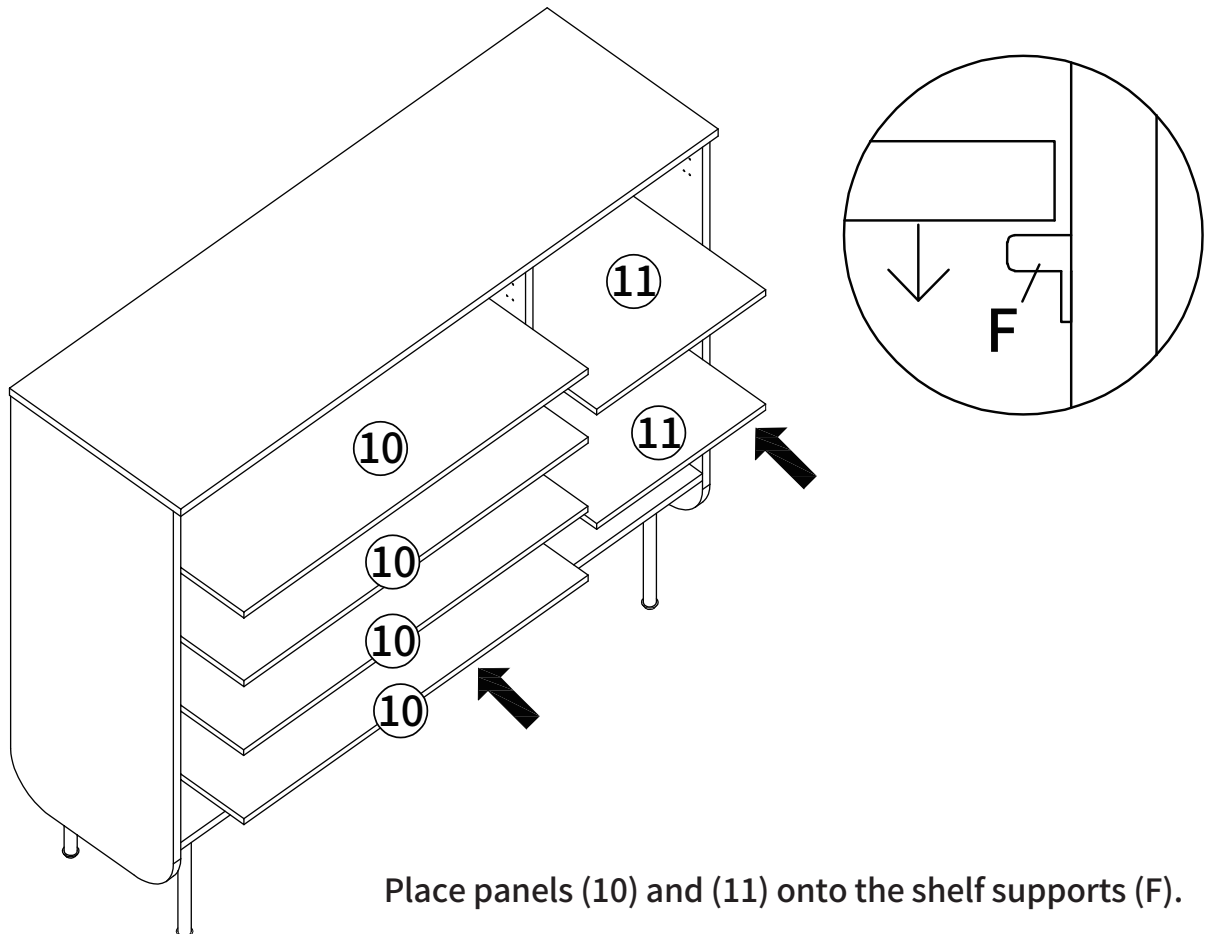


Insert (F) into the holes on panels (3) (4) and (17).
Adjust the position of (F) according to your preferred shelf height.

F × 24

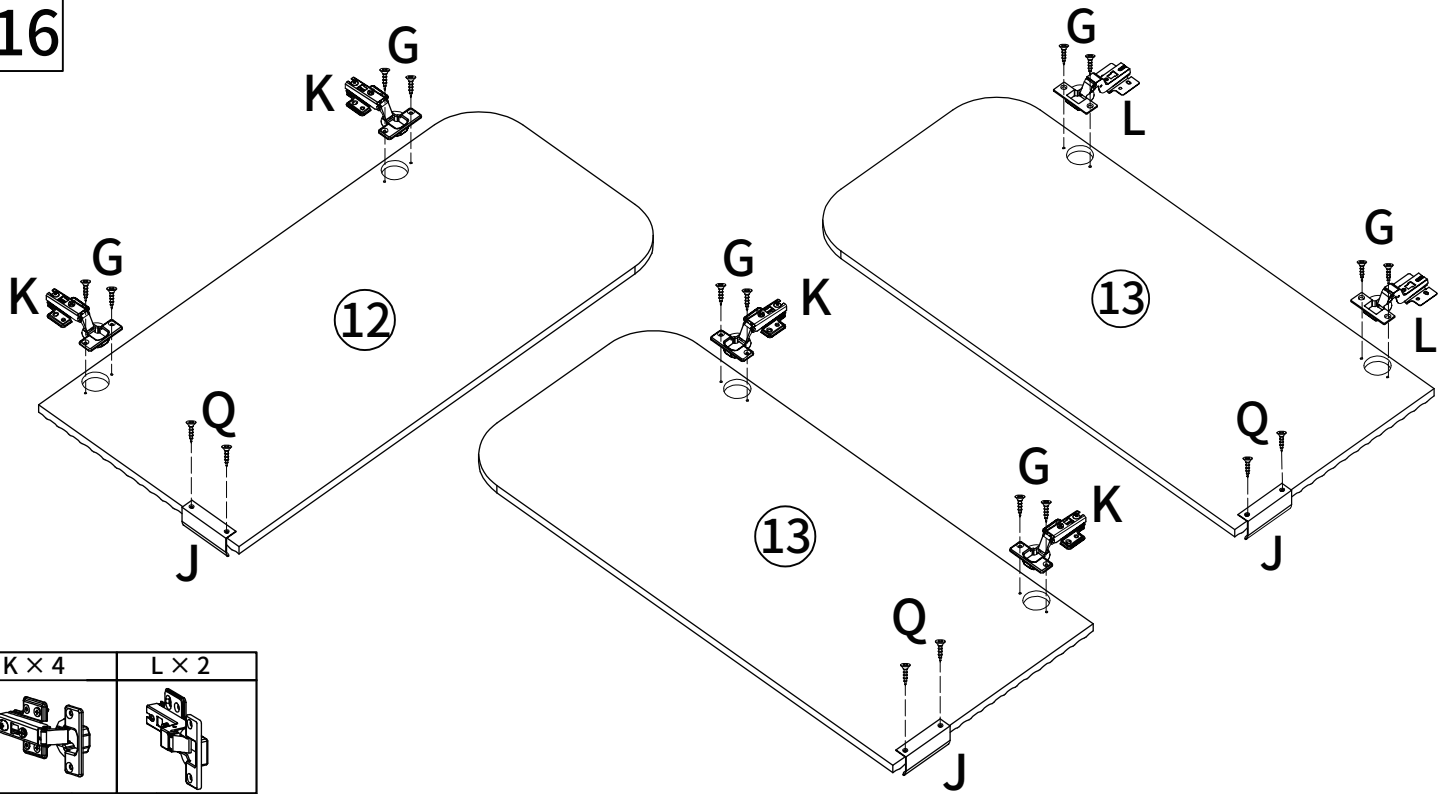


15



Place panels (10) and (11) onto the shelf supports (F).

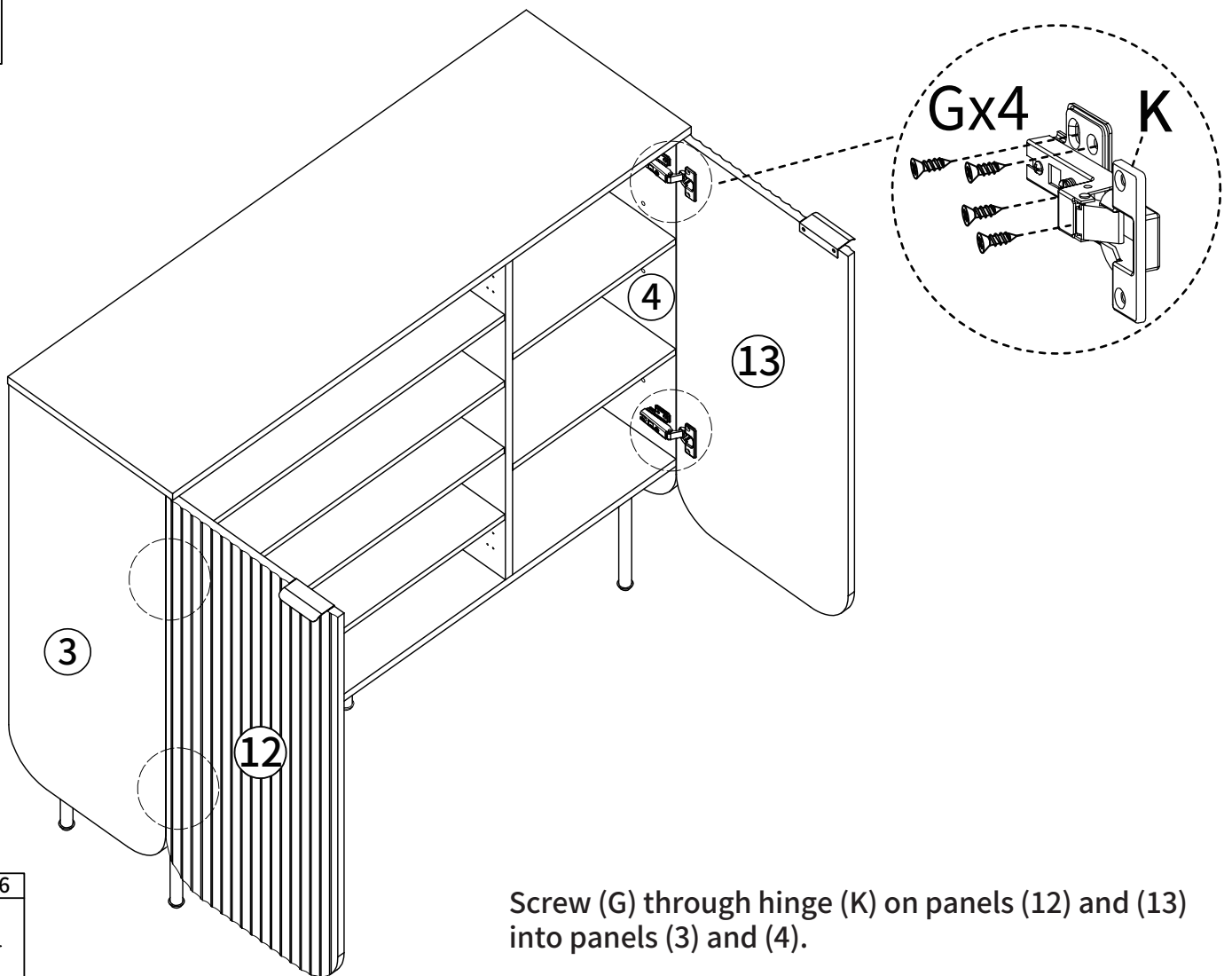
16



K × 4	L × 2	
Q × 6	G × 8	J × 3

Screw (Q) through (J) into panel (12) and both panels (13).
 Screw (G) through (K) into panel (12) and one panel (13).
 Screw (G) through (L) into the other panel (13).

17

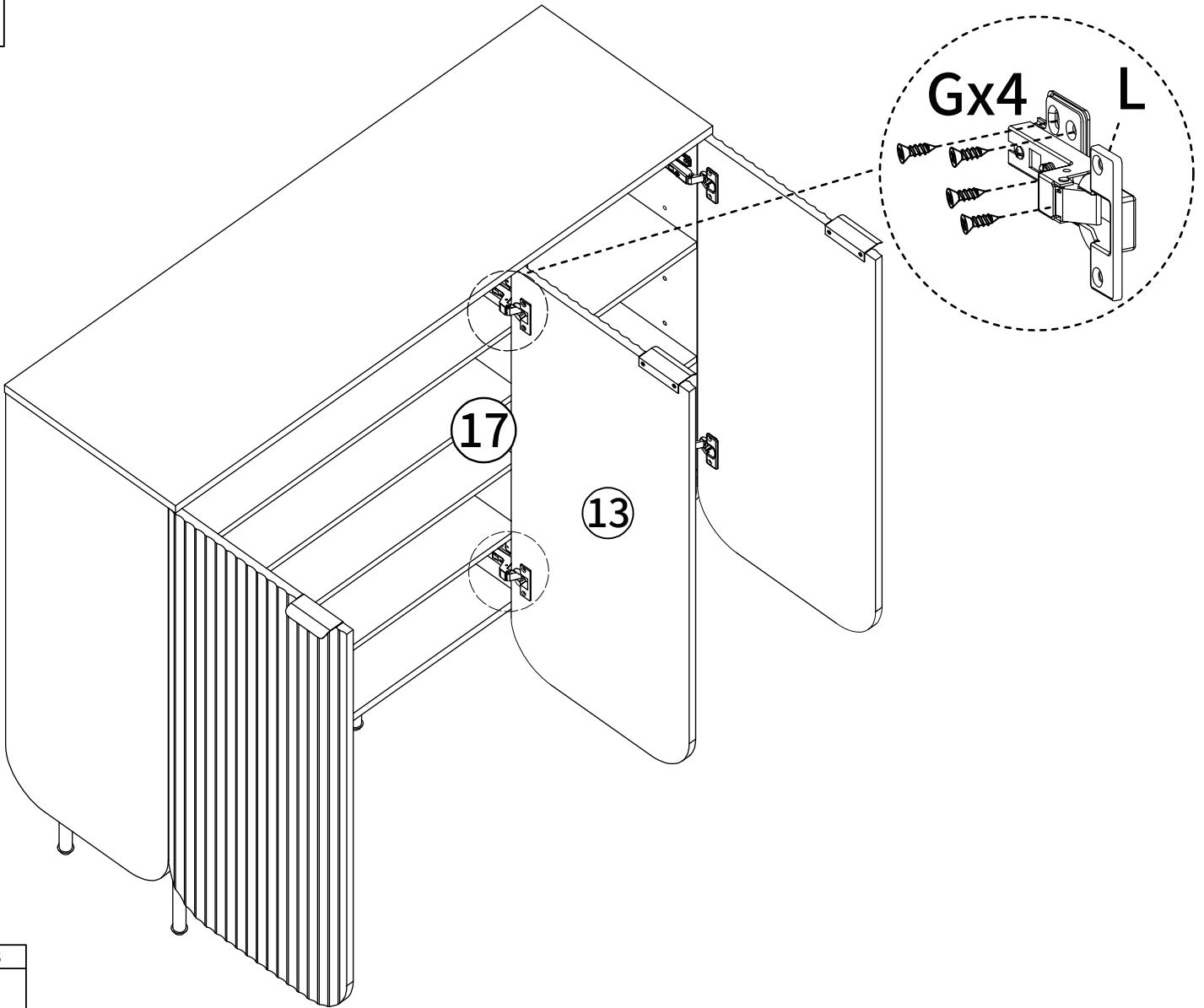


G × 16



Screw (G) through hinge (K) on panels (12) and (13) into panels (3) and (4).

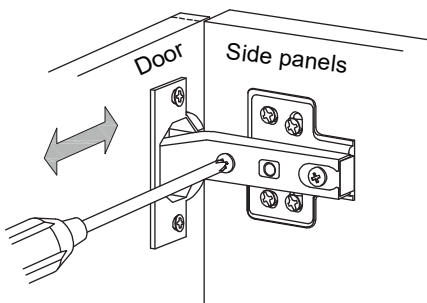
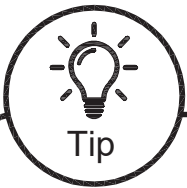
18



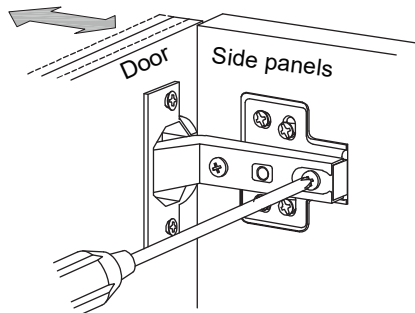
G x 8



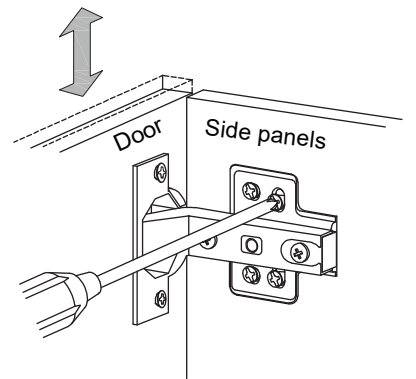
Screw (G) through hinge (L) on panel (13) into panel (17).



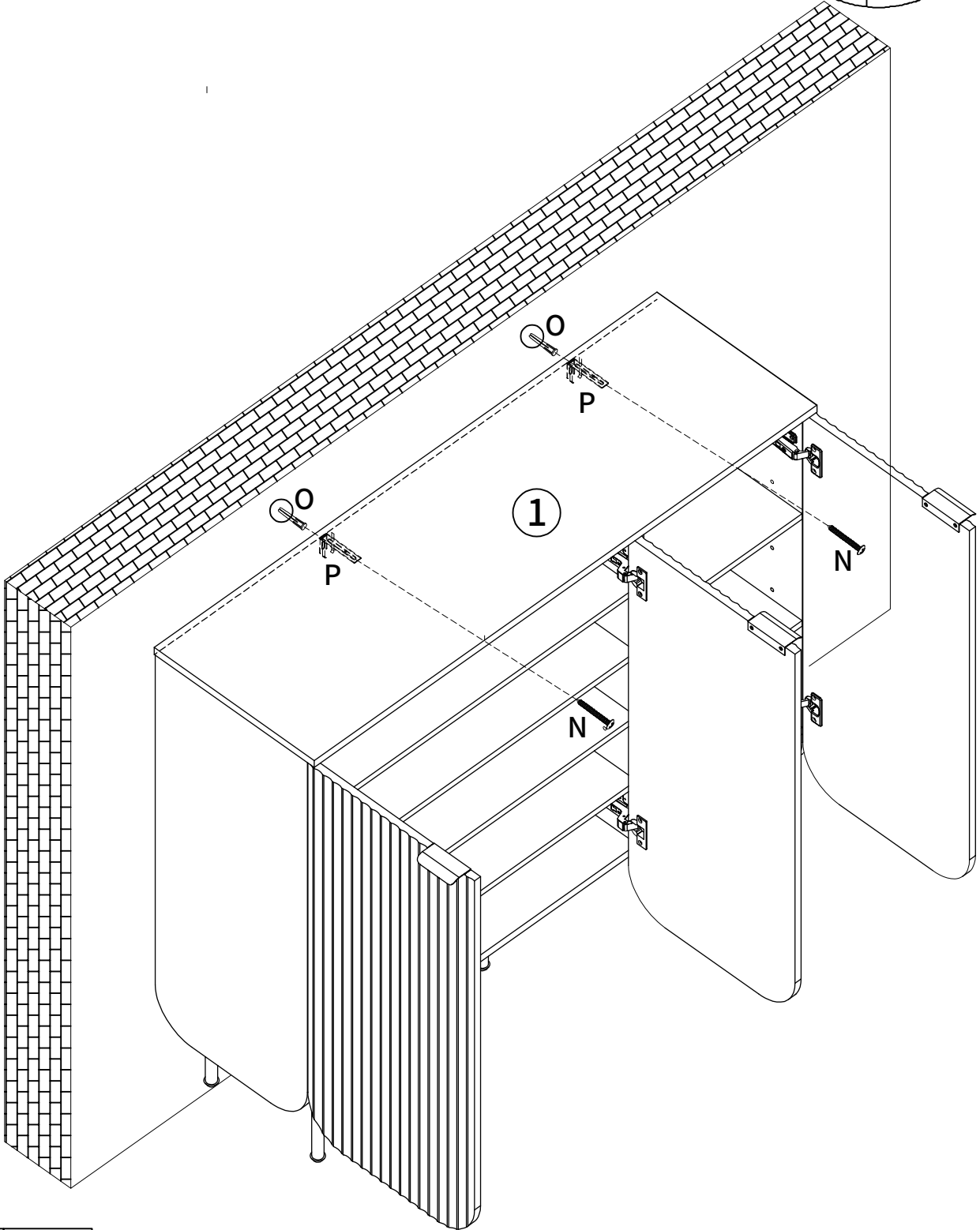
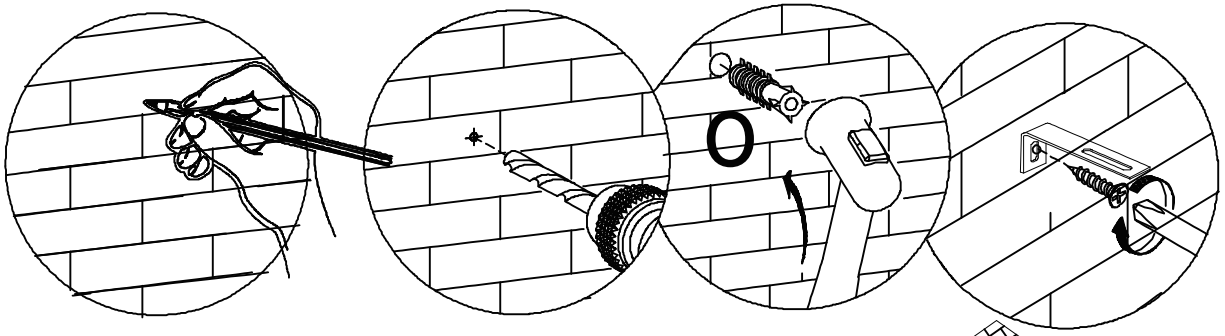
Adjust horizontal width with this screw.



Adjust depth position by loosening the hinge arm mounting screw.



Adjust vertical height via the screws in the mounting plate.

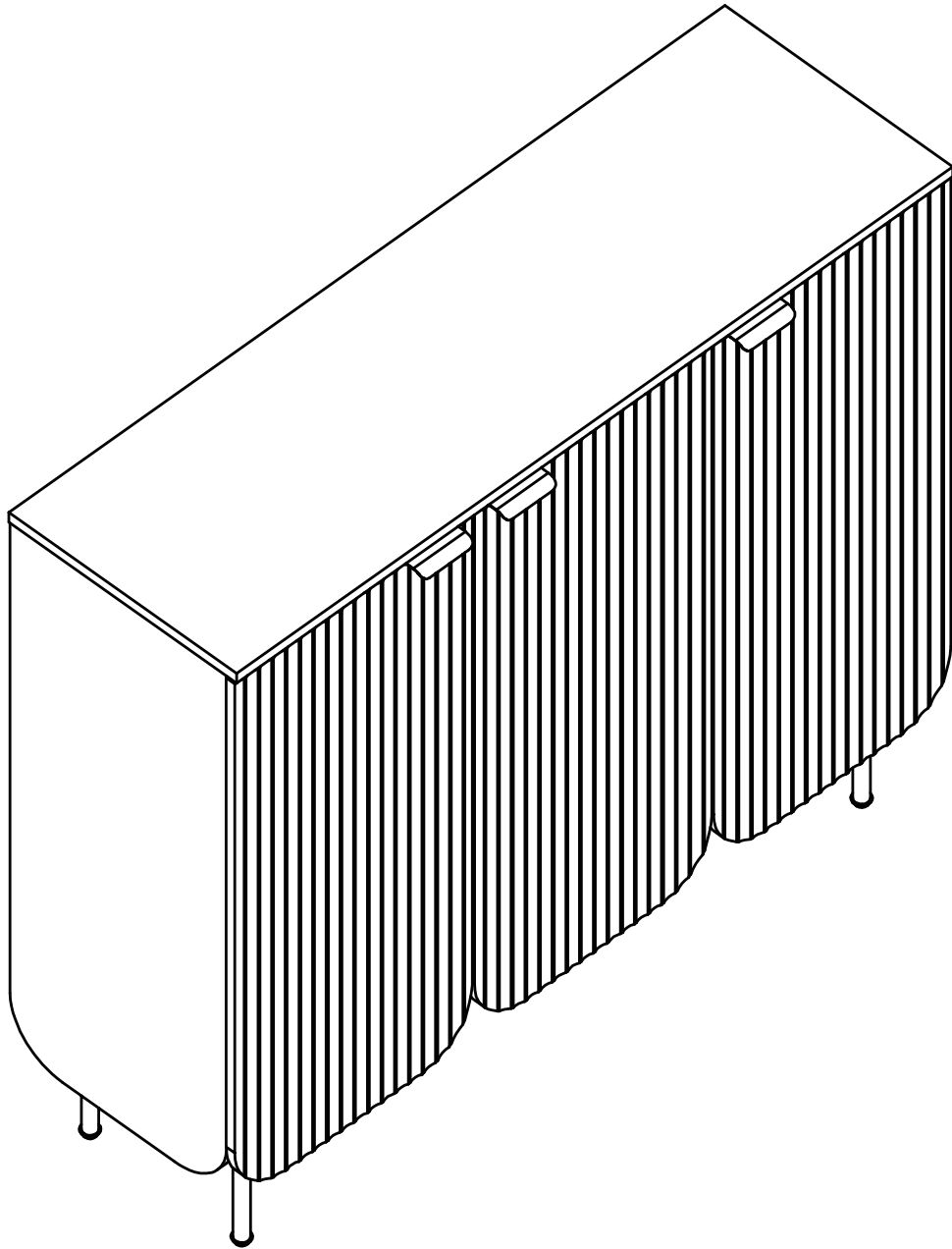


N x 2

O x 2



Mark the drilling positions on the wall. Drill two holes and insert (O).
Screw (N) through (P) into (O) to secure the cabinet to the wall.



Assembly complete!