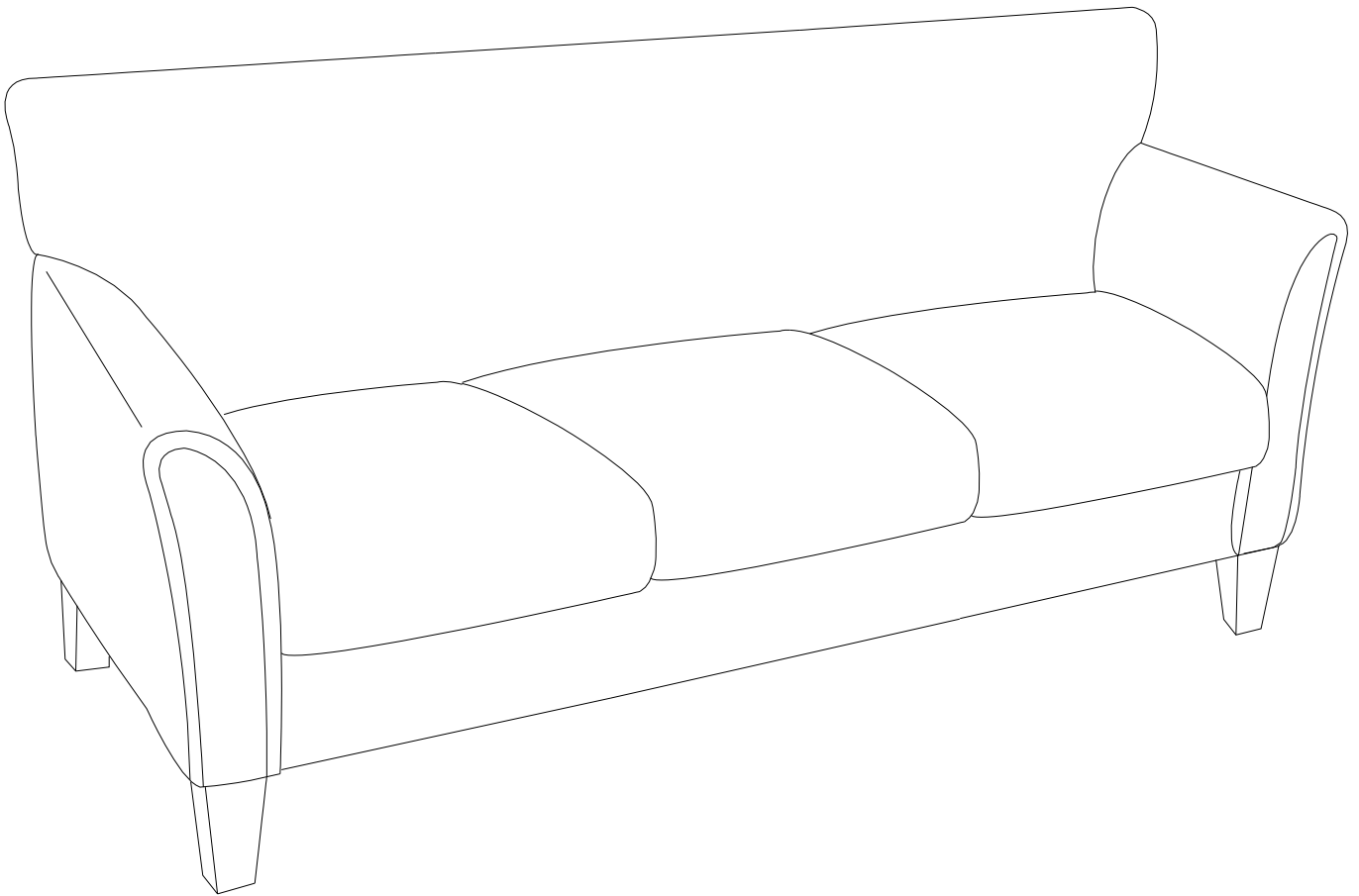


SOFA

NOTE: Do not use power tools for assembly. Power tools increases the risk of over tightening which leads to splitting or cracking of the wood



CONGRATULATIONS! - you've purchased a fine furniture item

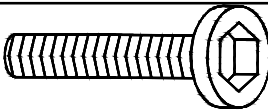




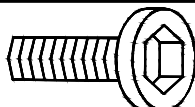
We have designed our furniture with you, the guest in mind. Our clear, easy to follow, step by step instructions will guide you through the project from start to finish. Feel confident that this will be a fun and rewarding project. The final product will be a quality piece of furniture that will go together smoothly and give years of enjoyment.

Hardware & Parts Identification

For ease of identification please organize all hardware for each step of the assembly instruction

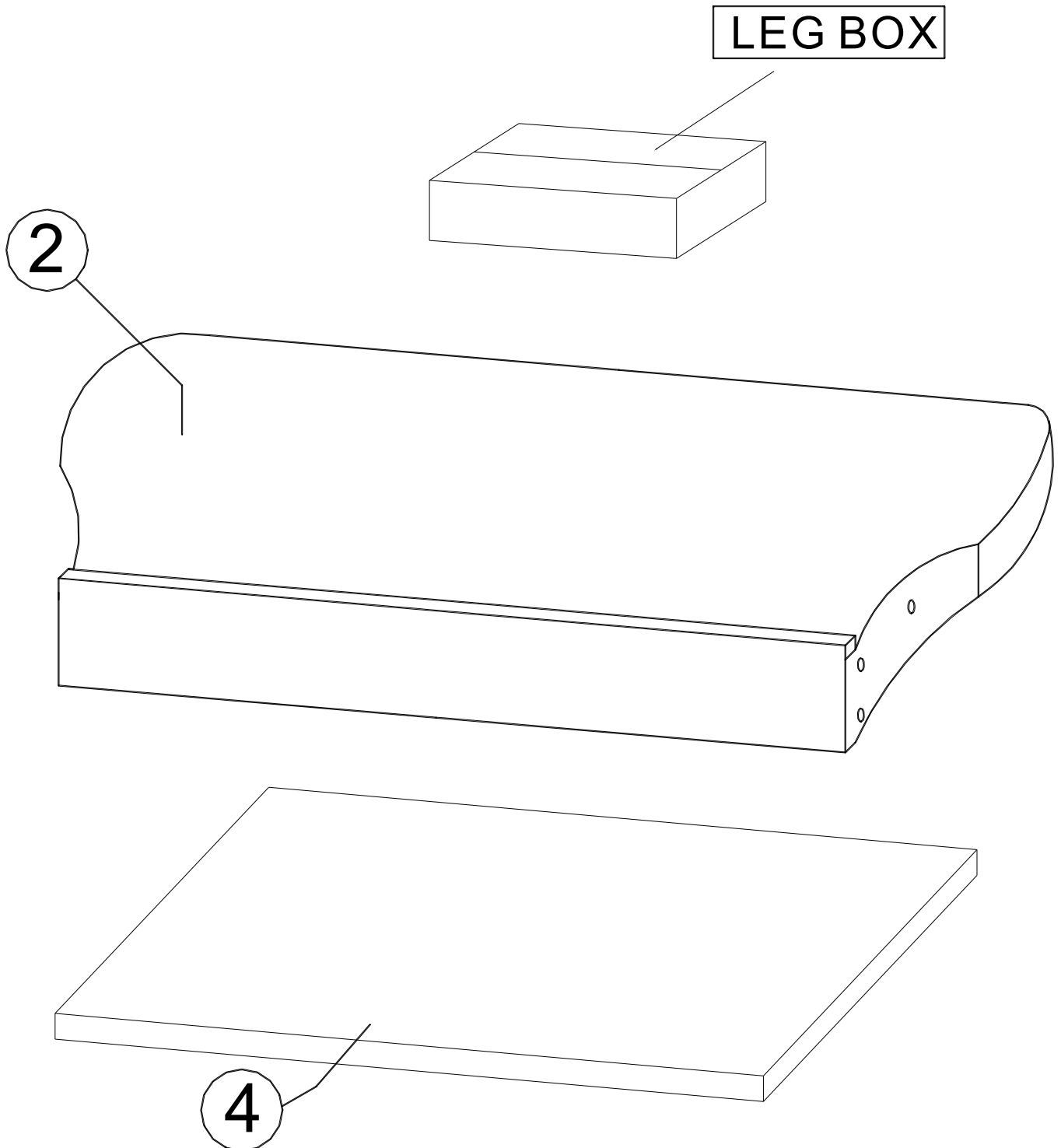
NOTE: Please verify all parts are complete before begin assembly

ITEM	PARTS LIST	QTY
①	ARM	2
②	BACK CUSHION	1
③	STRETCHER	1
④	SEAT PANEL	1
⑤	SEAT CUSHION	2
⑥	LEG	4

ITEM	HARDWARE LIST	QTY
A	5/16"x 2" 	6
B		10
C		10
D		10
E		1
F	5/16"x 1" 	4

STEP 1:

Please place all parts on a clean cloth for assembly



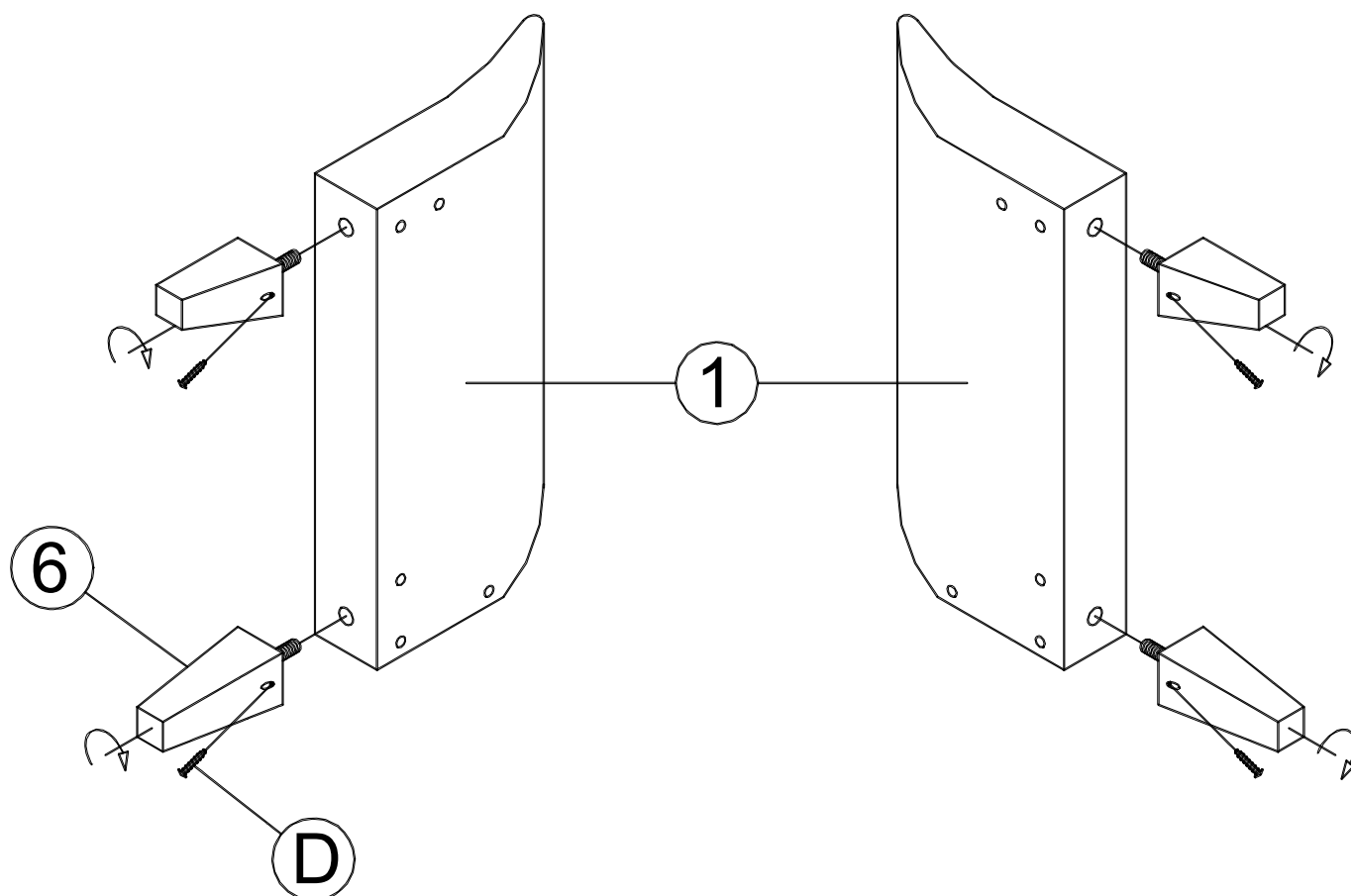
STEP 2: STEP 2A: Start assembly legs into left and right arm.

STEP 2B: Turn legs clockwise until tight.

**NOTE: SCREWS HOLES IN LEGS MUST BE FACING TOWARD
INSIDE OF CHAIR.**

STEP 2C: Insert wood screws into designated holes and turn clockwise
with screw driver (NOT INCLUDED) until tight.

NOTE: DO NOT OVER TIGHTEN THE SCREWS

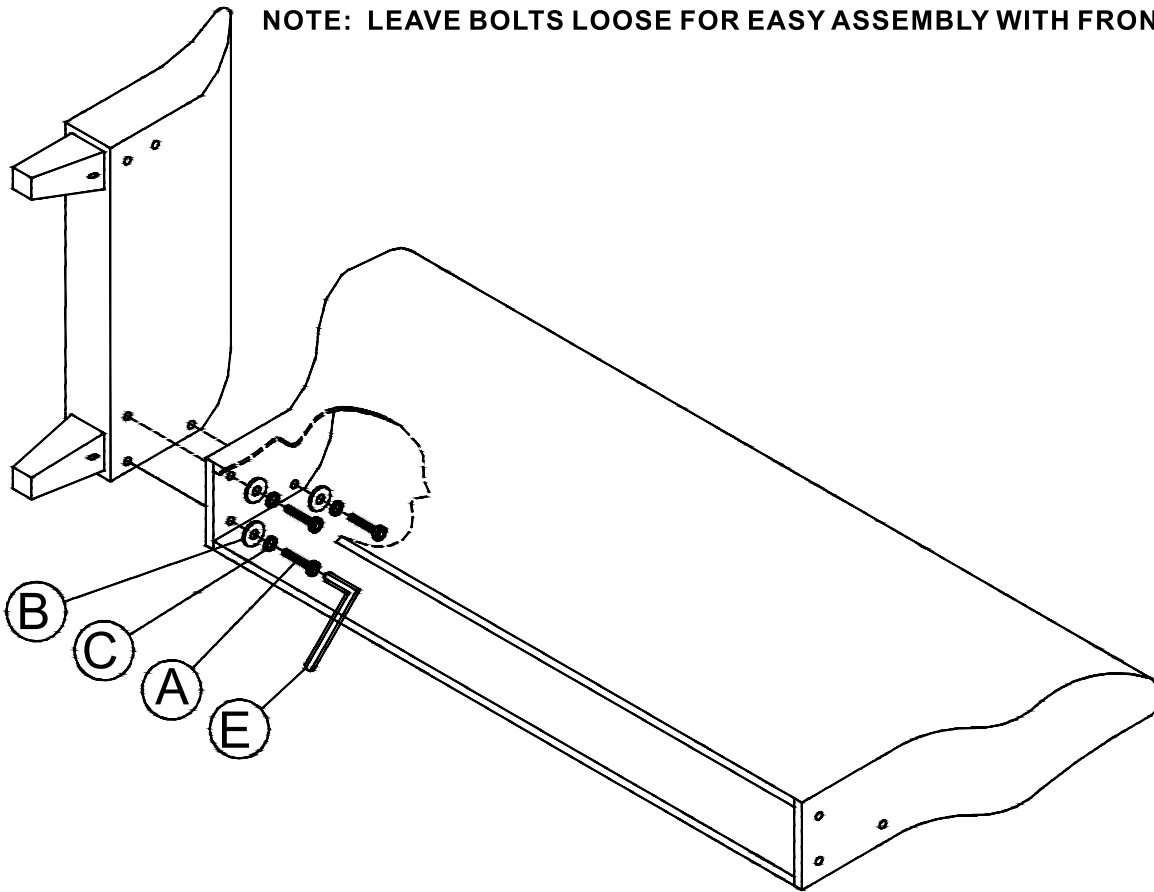


STEP 3:

3A: Attach cushion back with left side facing arm with bolts (A) with spring washer(C) and washer(B).

3B: Then turn clockwise with allen wrench until 80% tight

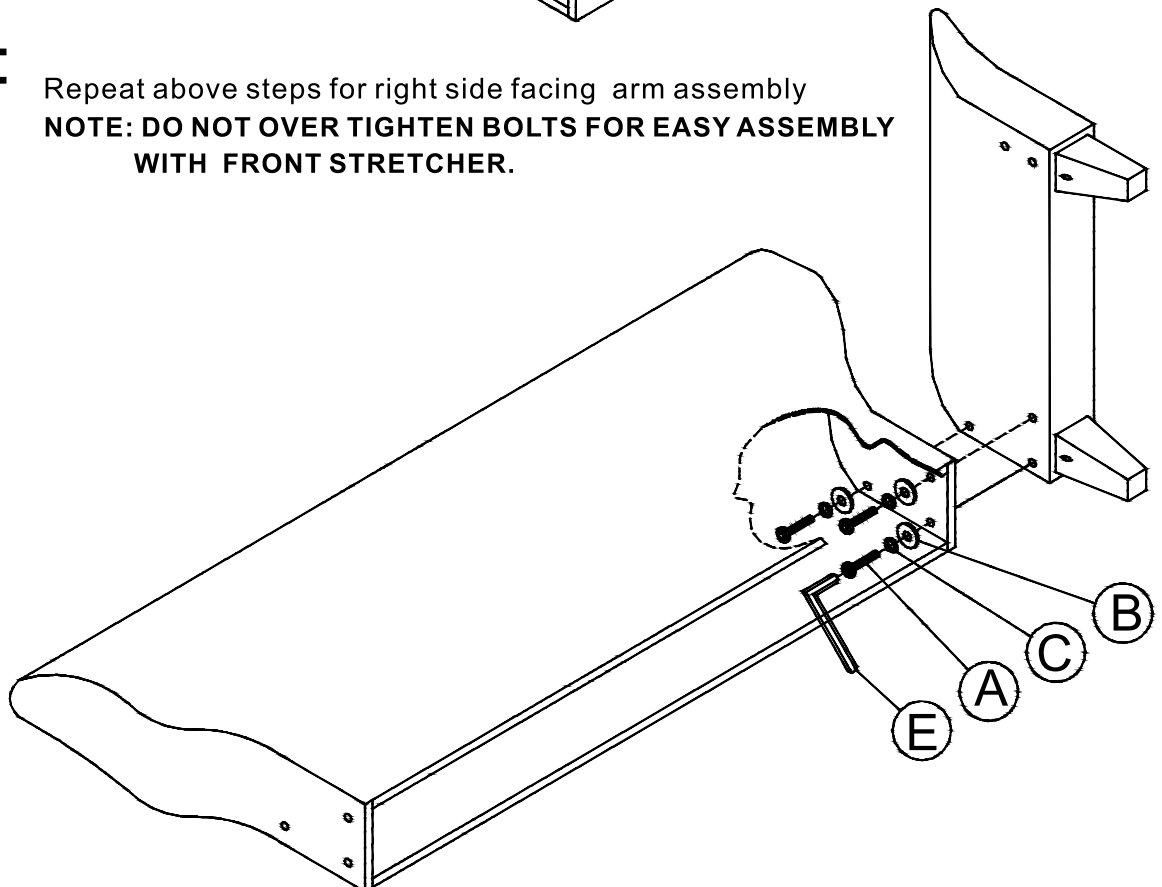
NOTE: LEAVE BOLTS LOOSE FOR EASY ASSEMBLY WITH FRONT STRETCHER.



STEP 4:

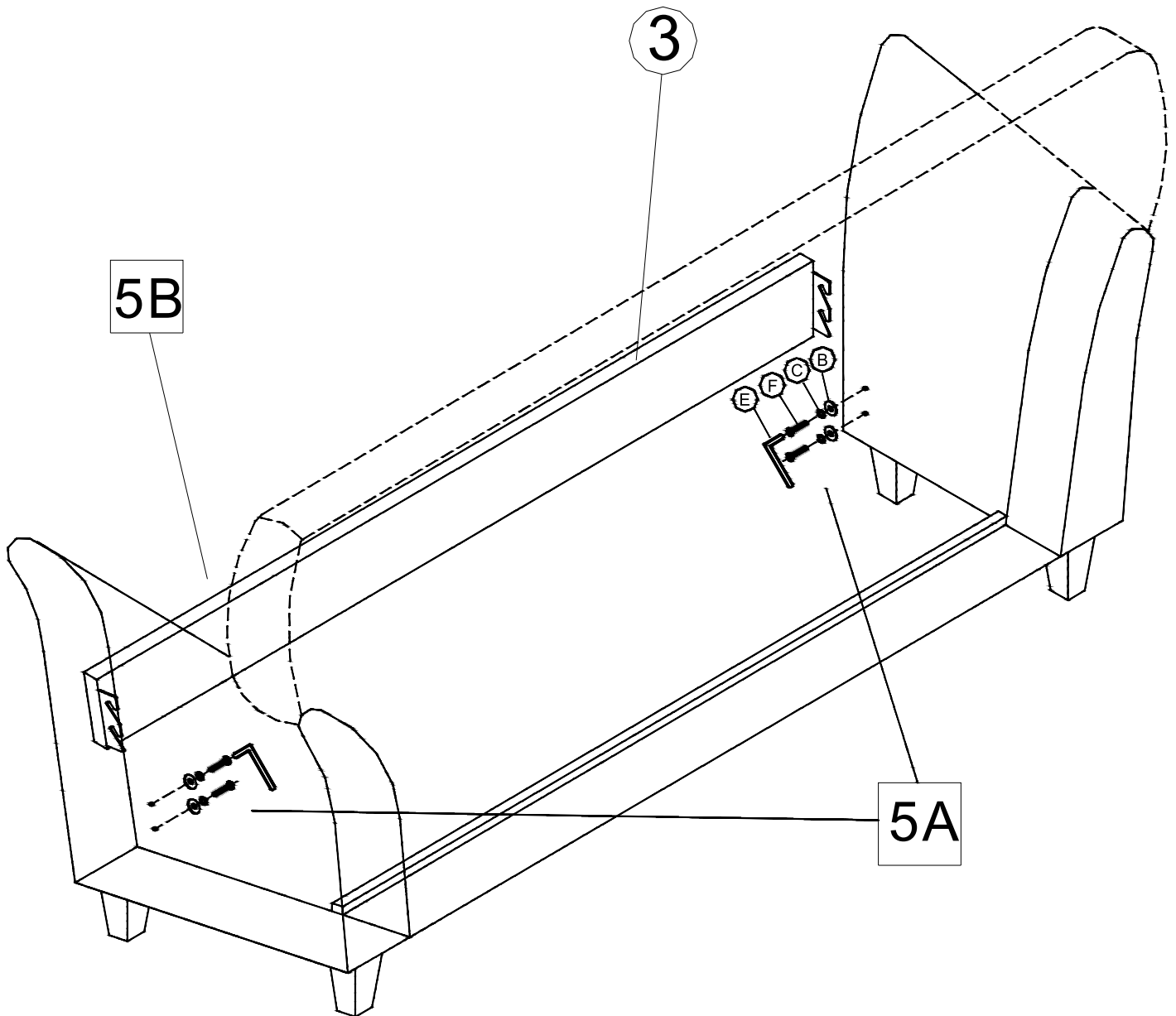
Repeat above steps for right side facing arm assembly

NOTE: DO NOT OVER TIGHTEN BOLTS FOR EASY ASSEMBLY WITH FRONT STRETCHER.



STEP 5:

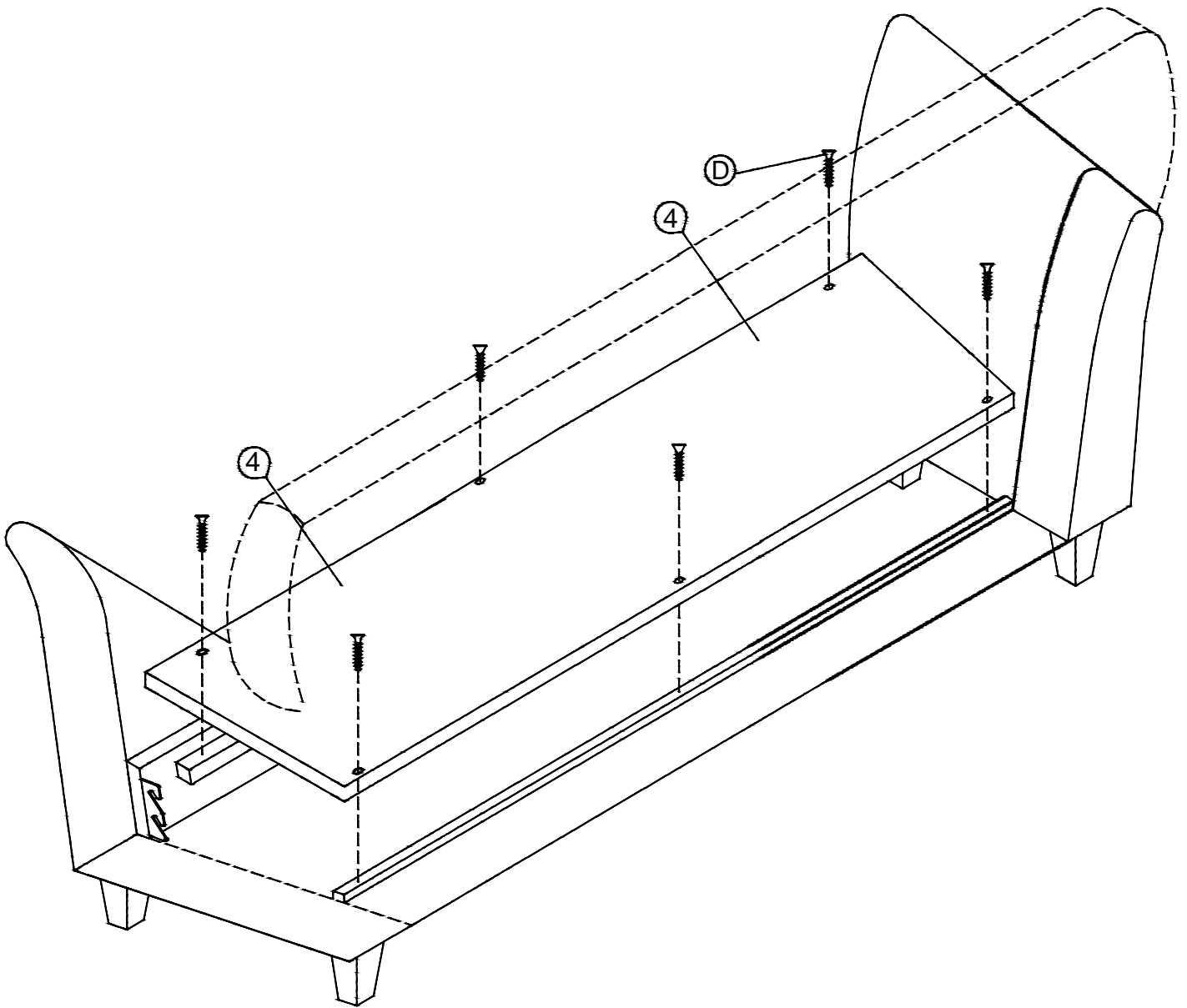
- 5A: Insert bolt (F) with spring washer (C) and washer (B) then turn \ clockwise with allen wrench until 80% tightened.
- 5B: Carefully position stretcher over bolts as shown.
- 5C: Then tighten all stretcher and seat back bolts



STEP 6:

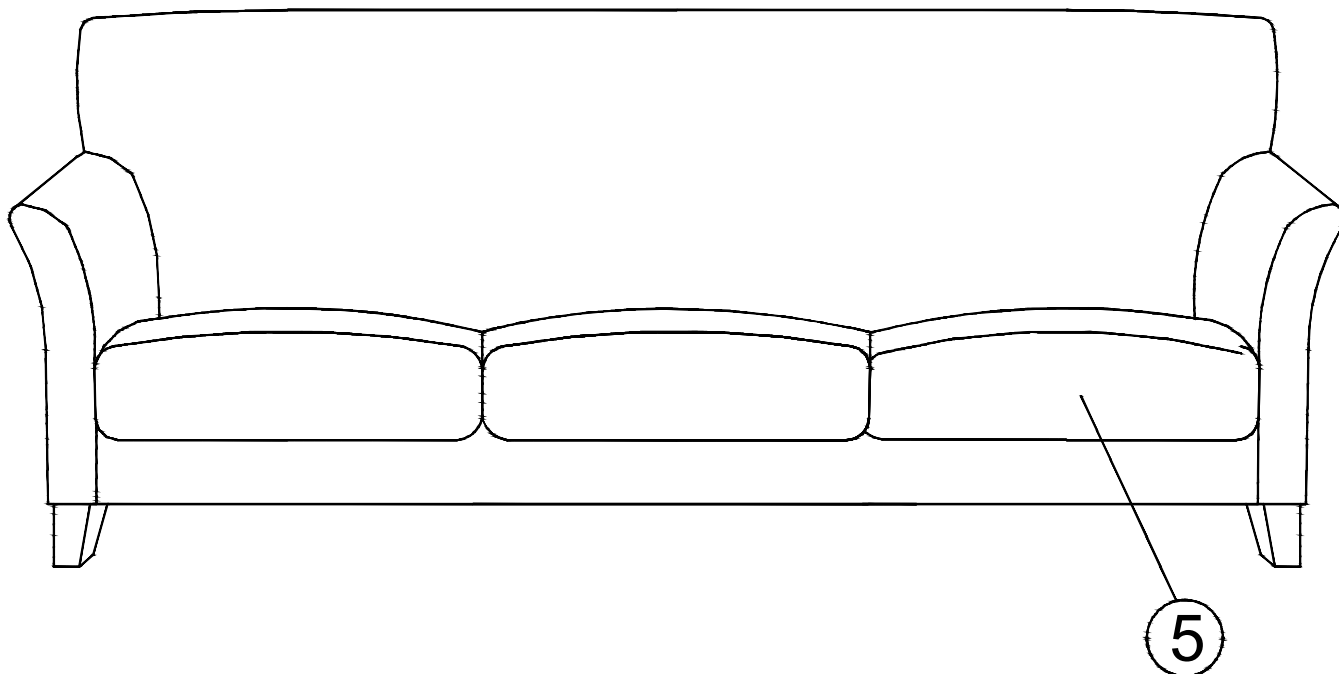
6A: Secure the Seat Panel to the Love Seat frame using the screw "D" into pre-drilled holes

NOTE: (6) PRE-DRILLED HOLES HAVE BEEN COVERED BY BLACK CLOTH FOR APPEARANCE PURPOSES. LOCATE THE HOLES INDENTATIONS AND INSERT THE (6) SCREWS.



STEP 7: Place seat cushion

*ENJOY METROPOLITAN SOFA



CARE INSTRUCTION:

*Remove stains using mild soap and lukewarm water. Rub gently in a circular motion with a sponge or soft brush.

Pat the area dry after cleaning.

*When the microfiber is completely dry, brush it lightly in the direction of the nap.

*Brushing is recommended on a regular basis.