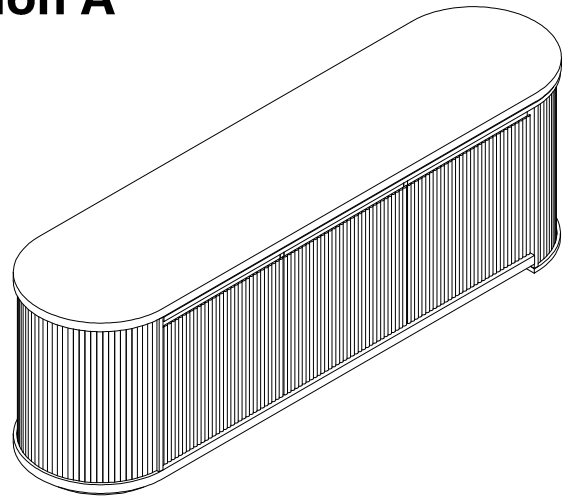
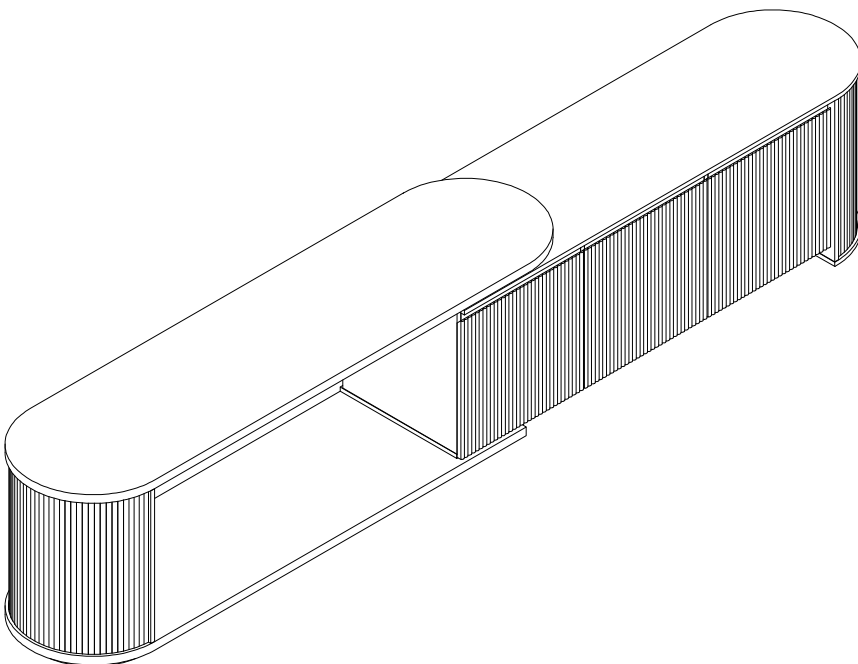


Assembly Instructions

Option A



Option B

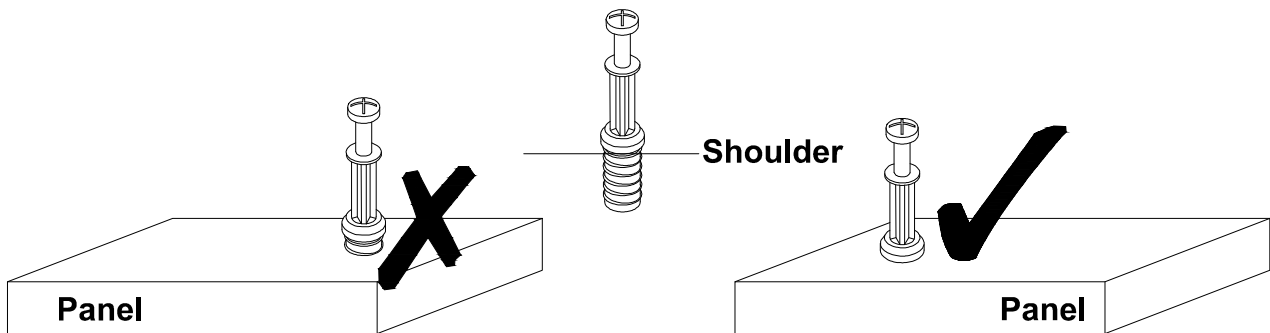


Before Assembly

Tips Before Your Start:

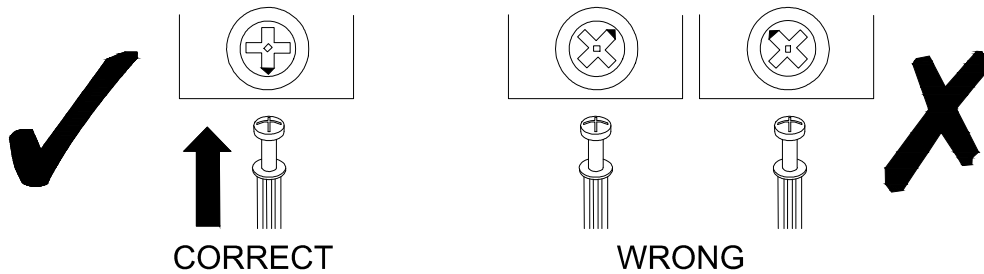
- Remove all wrapping material, including staples & packing straps before you start to assemble.
- DO NOT tighten all screws and bolts until the assembly is completely assembled.
- Keep all hardware parts out of reach of children.

QUICKFIT



Tighten quickfit until shoulder is flush with panel. Do not overtighten or undertighten.

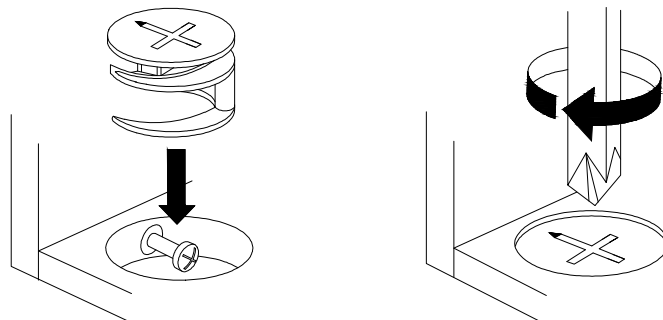
CAM LOCK



When fitting a cam lock, ensure the starting position is correct before inserting the connecting QUI CKFIT




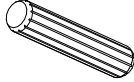
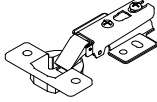
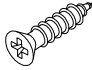
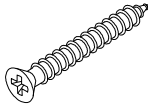


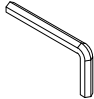
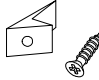
Quickfit head should be in the centre of the cam lock when the two panels are joined.

Cam lock should be inserted before quickfit.

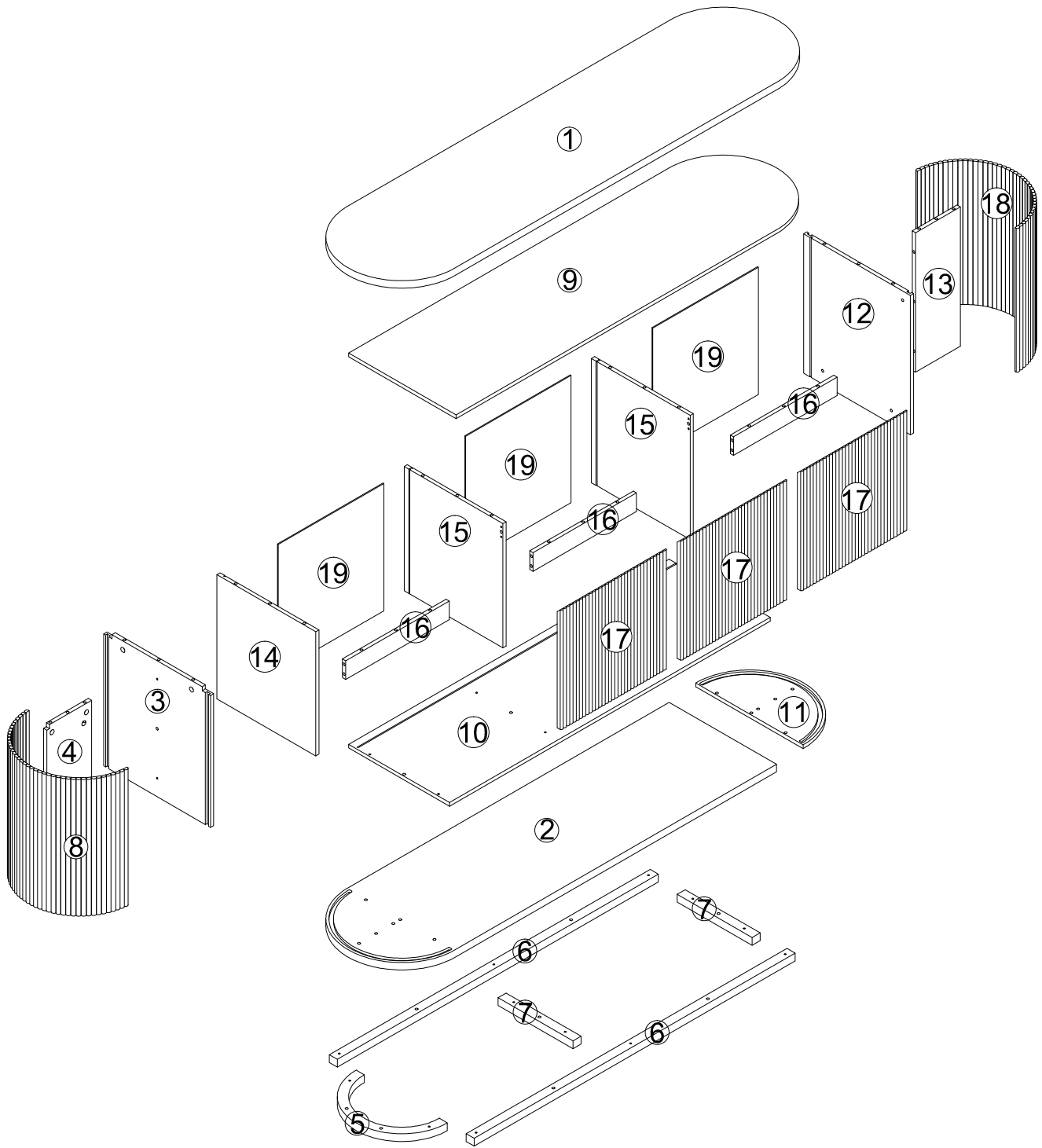


Turn cam lock clockwise to tighten.

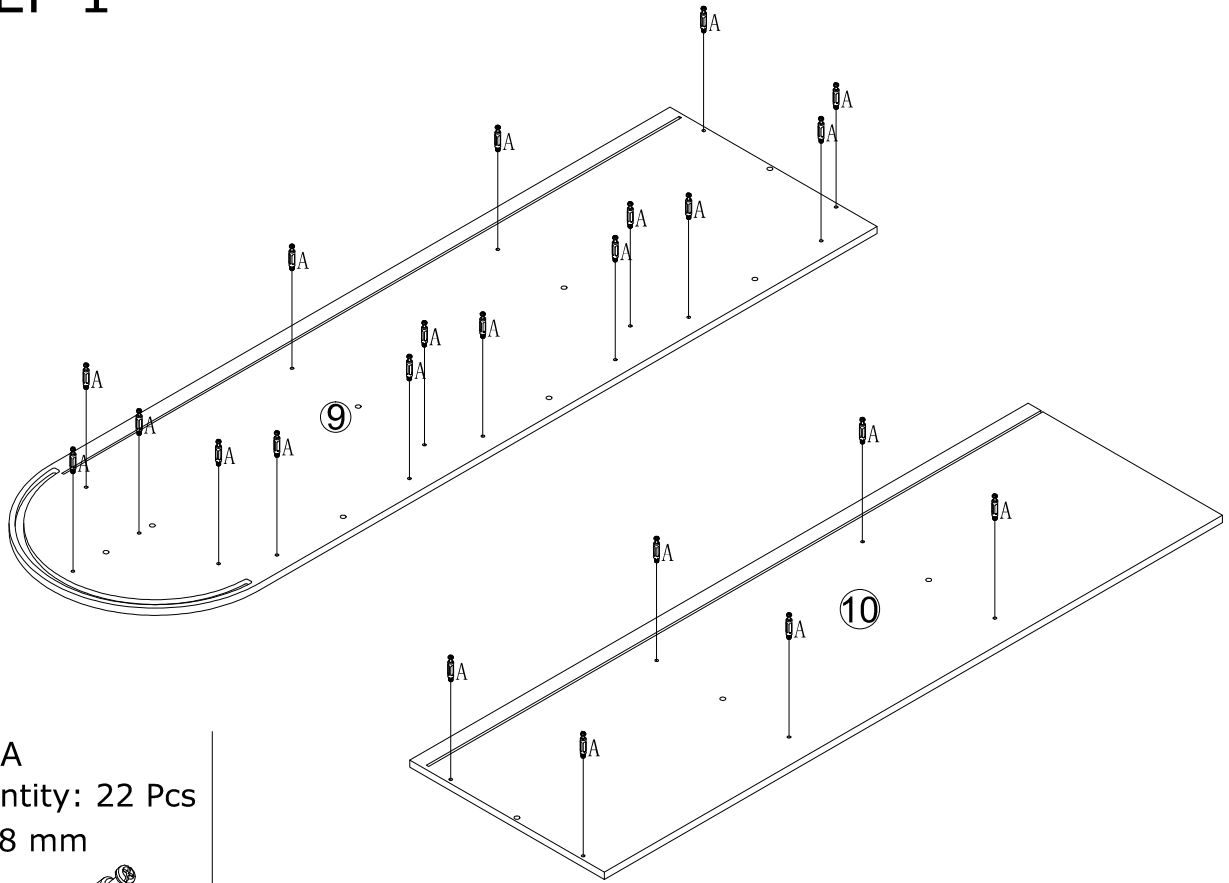
Part List

<p>No. A Quantity:36 Pcs Cam Lock Dowel 8*28mm</p> 	<p>No. B Quantity:36 Pcs Cam φ15</p> 	<p>No. C Quantity:36 Pcs Sticker Ø20</p> 	<p>No. D Quantity:27 Pcs Dowel 8*30mm</p> 
<p>No. E Quantity:6 Pcs Hinge</p> 	<p>No. F Quantity:36 Pcs Screw M3.5*12mm</p> 	<p>No. G Quantity:12 Pcs Screw M4*40mm</p> 	<p>No. H Quantity:13 Pcs Screw M6*40mm</p> 
<p>No. I Quantity:10 Pcs Foot Pad Ø15*5</p> 	<p>No. J Quantity:1 Pcs Allen Key 4#</p> 	<p>No. K Quantity:12 Sets Plastic Wedge</p> 	

Product structure



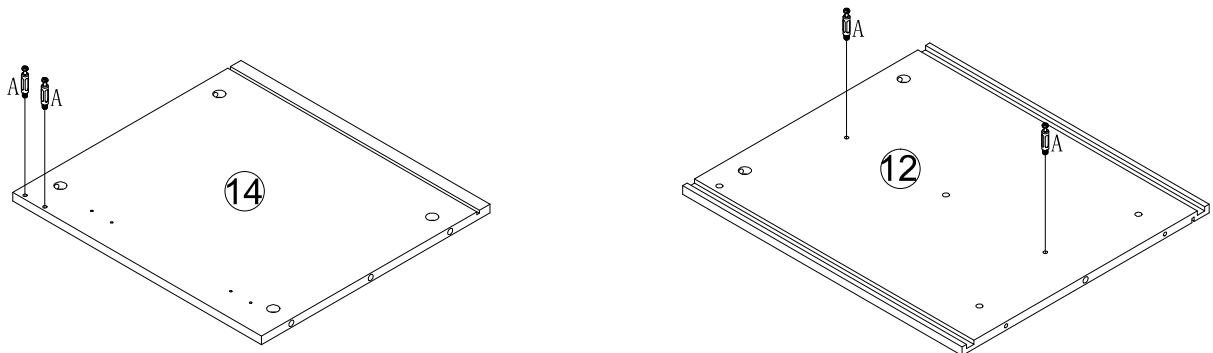
STEP 1



No. A
Quantity: 22 Pcs
8*28 mm



STEP 2



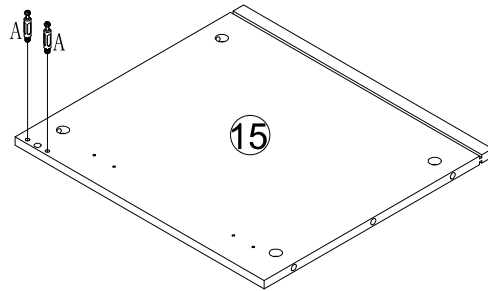
No. A
Quantity: 4 Pcs
8*28 mm



STEP 3



Note that both sides have holes, and the hardware should be locked on the side with the guide holes.

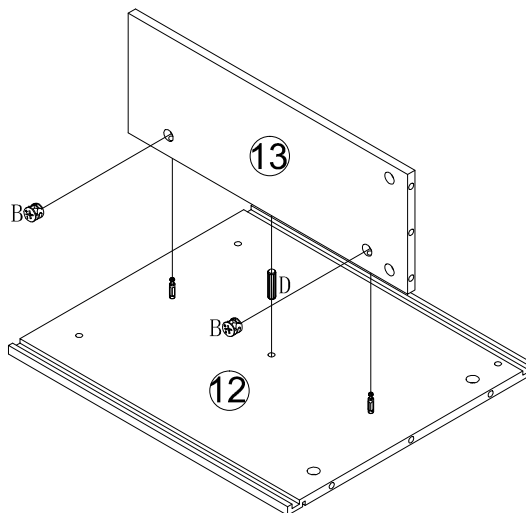


No. A
Quantity: 4 Pcs
8*28 mm



x2

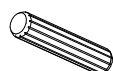
STEP 4



No. B
Quantity: 2 Pcs
Ø15



No. D
Quantity: 1 Pcs
8*30mm



STEP 5

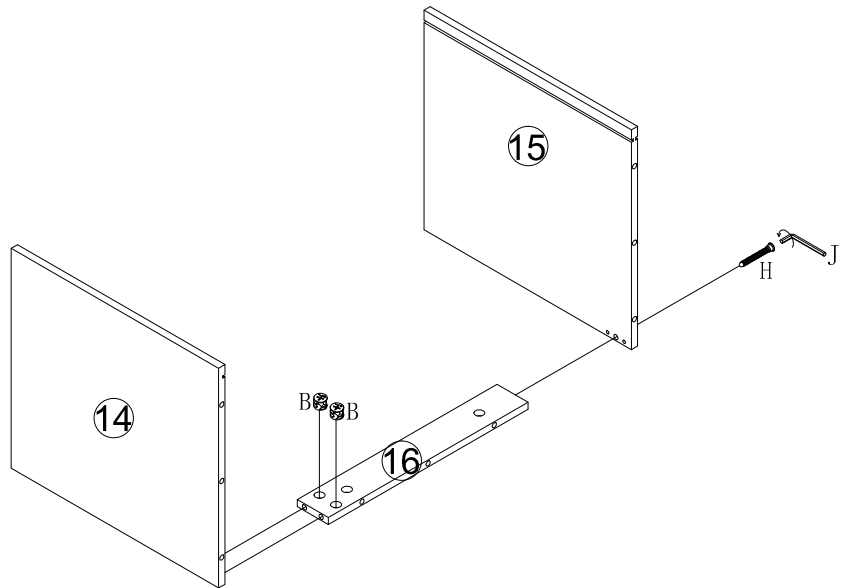
No. B
Quantity: 2 Pcs
Ø15



No. H
Quantity: 1 Pcs
M6*40mm



No. J
Quantity: 1 Pcs
4#



STEP 6

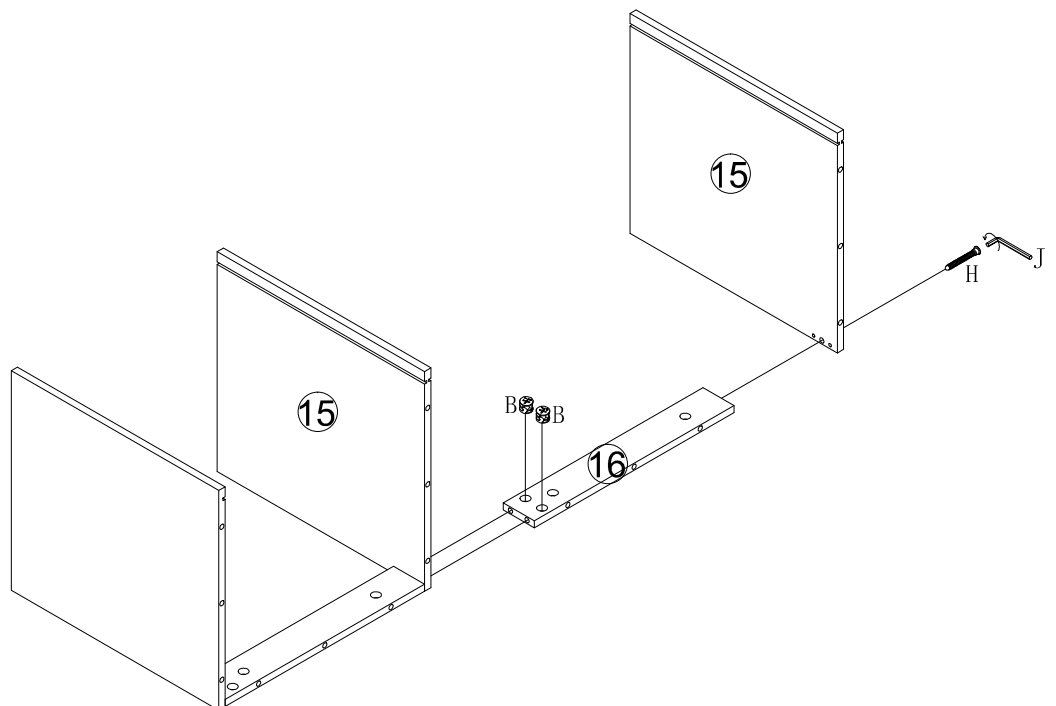
No. B
Quantity: 2 Pcs
Ø15



No. H
Quantity: 1 Pcs
M6*40mm



No. J
Quantity: 1 Pcs
4#



STEP 7

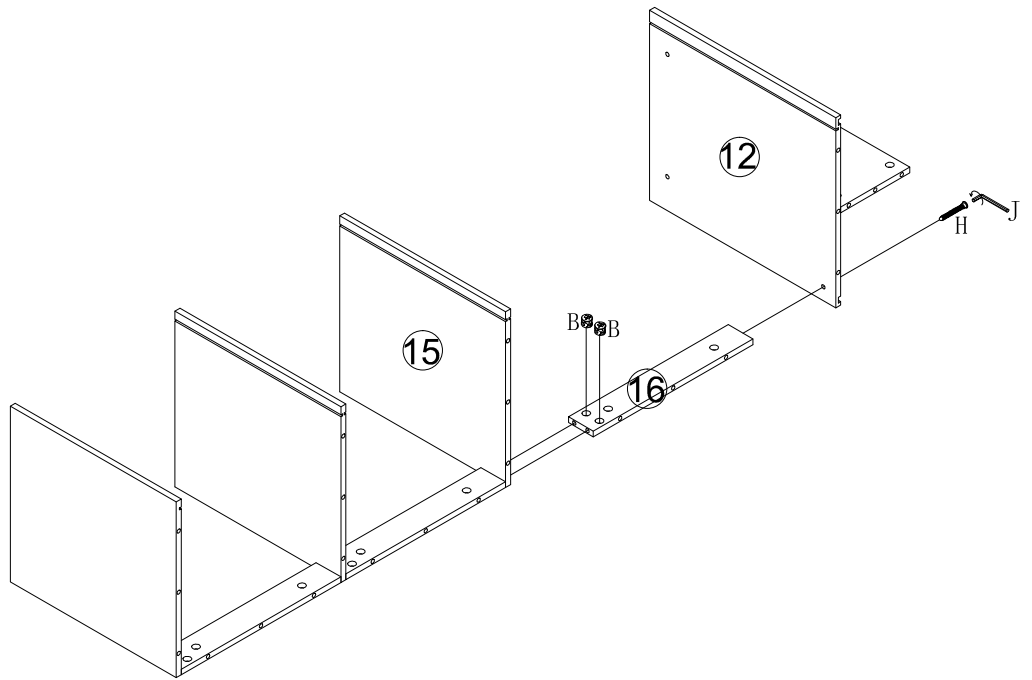
No. B
Quantity: 2 Pcs
Ø15



No. H
Quantity: 1 Pcs
M6*40mm



No. J
Quantity: 1 Pcs
4#

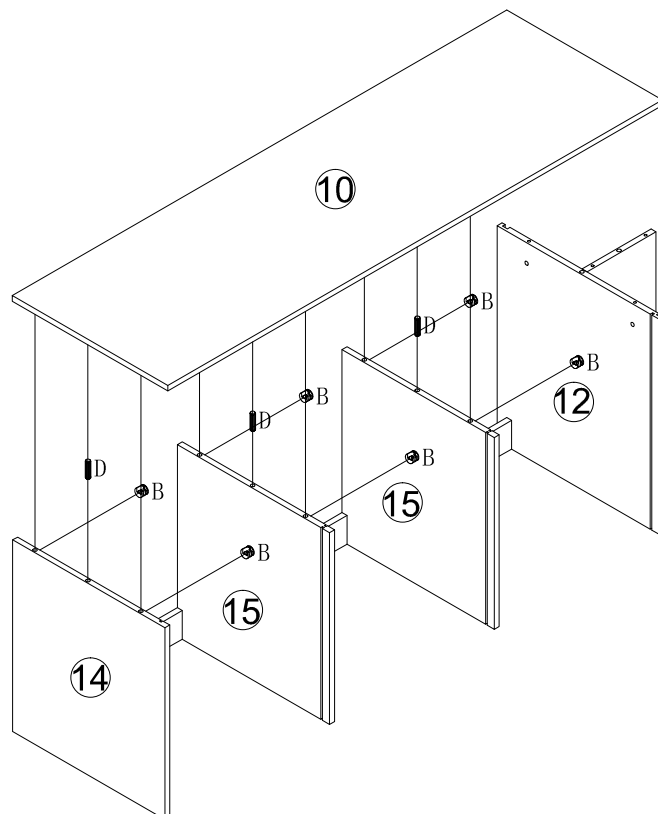
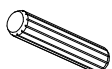


STEP 8

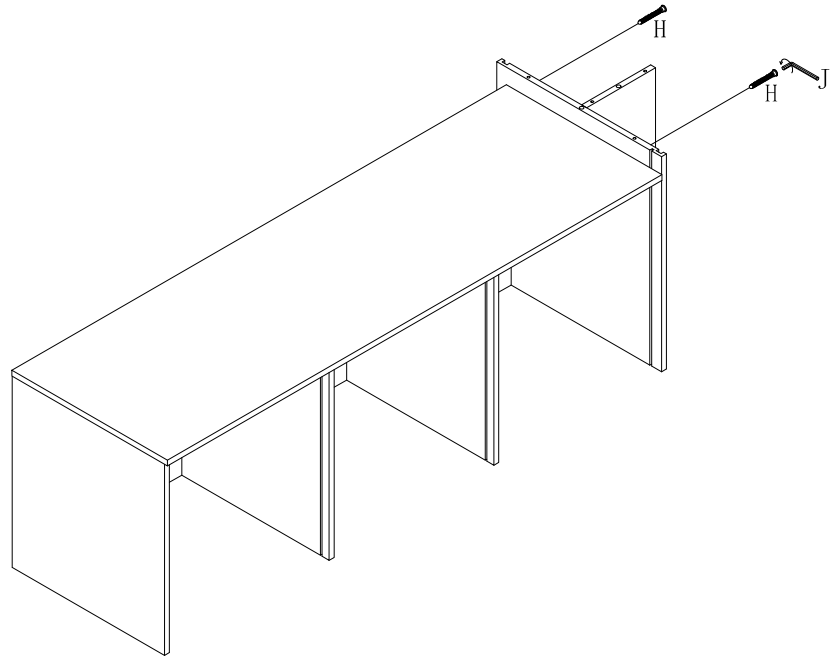
No. B
Quantity: 6 Pcs
Ø15



No. D
Quantity: 3 Pcs
8*30mm



STEP 9



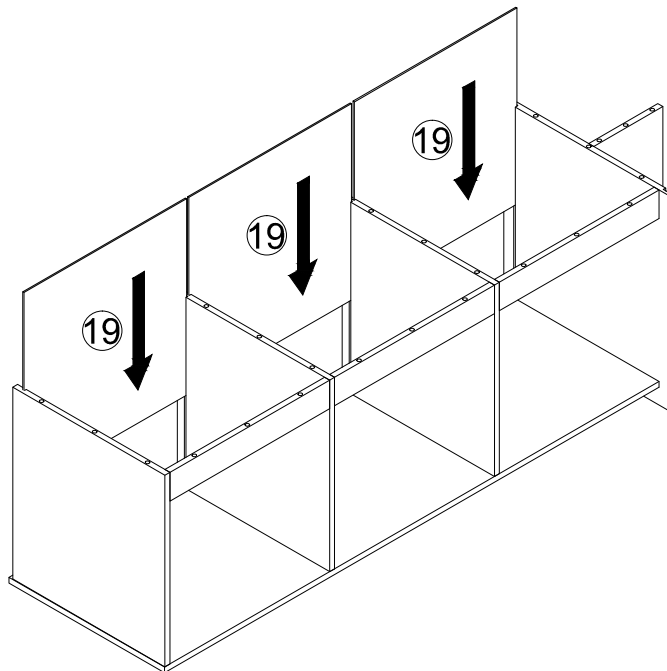
No. H
Quantity: 2 Pcs
M6*40mm



No. J
Quantity: 1 Pcs
4#



STEP 10

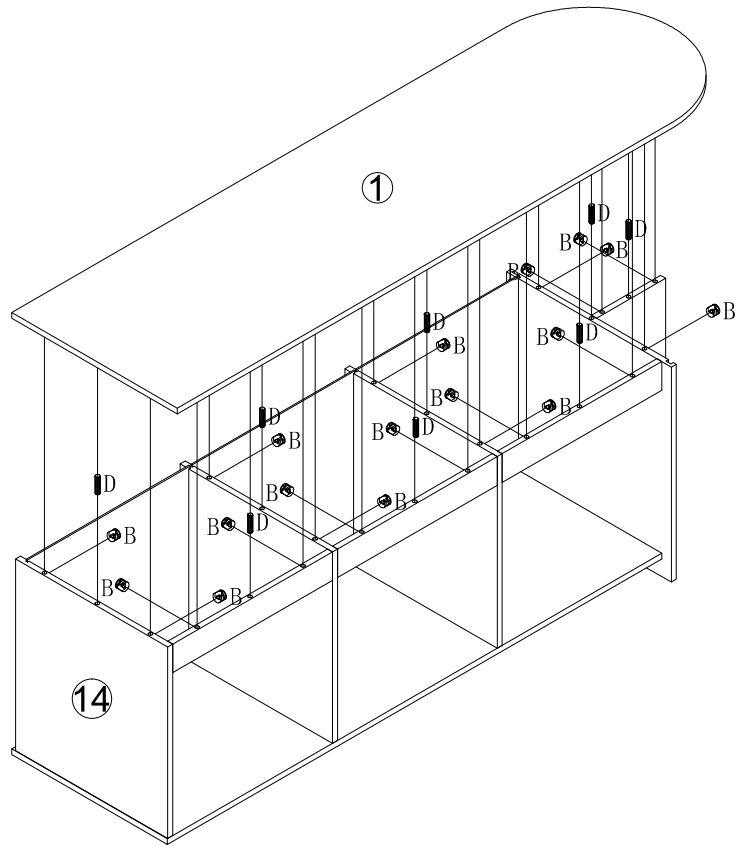
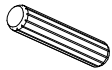


STEP 11

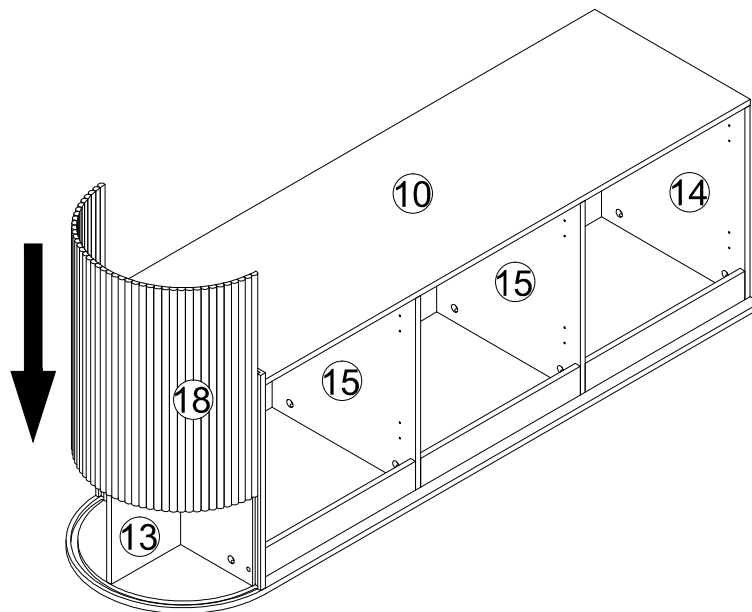
No. B
Quantity: 16 Pcs
Ø15



No. D
Quantity: 8 Pcs
8*30mm

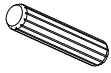


STEP 12



STEP 13

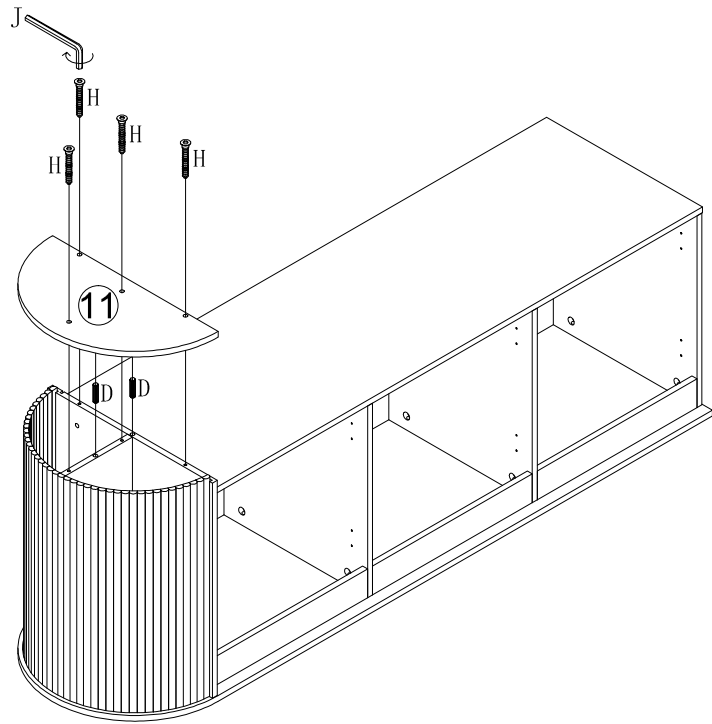
No. D
Quantity: 2 Pcs
8*30mm



No. H
Quantity: 4 Pcs
M6*40mm

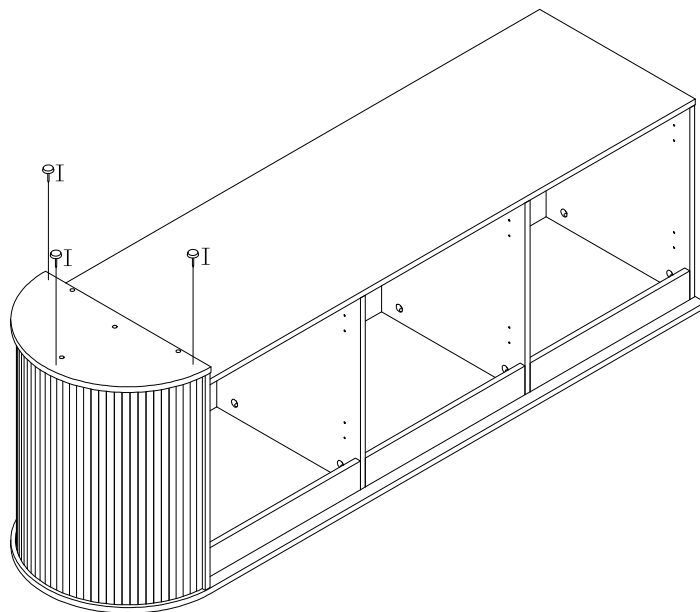


No. J
Quantity: 1 Pcs
4#

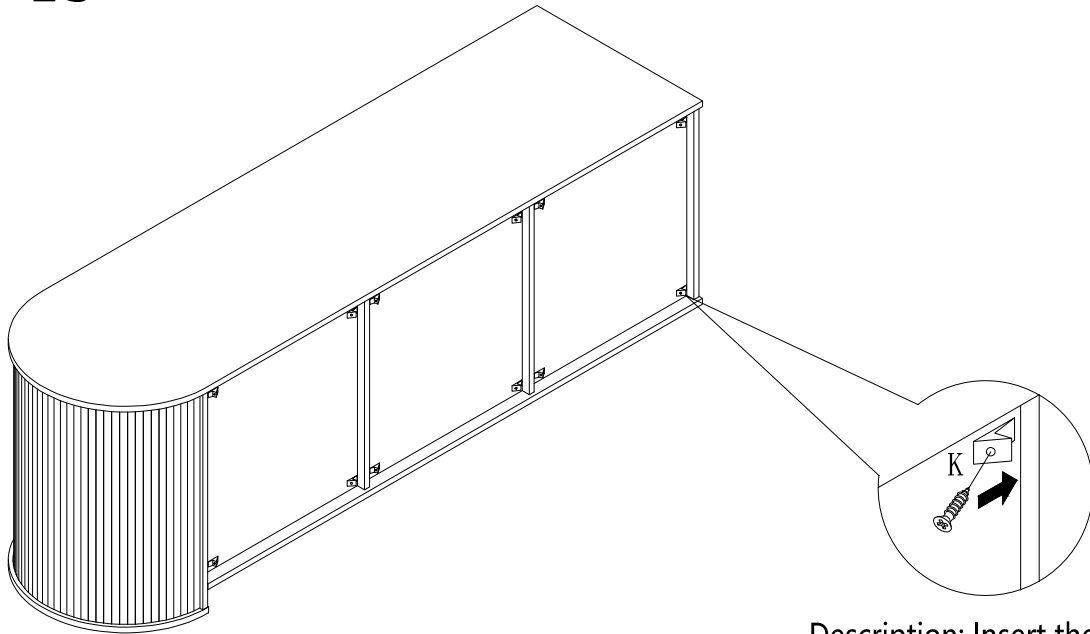


STEP 14

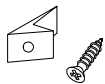
No. I
Quantity: 3 Pcs
Ø15



STEP 15

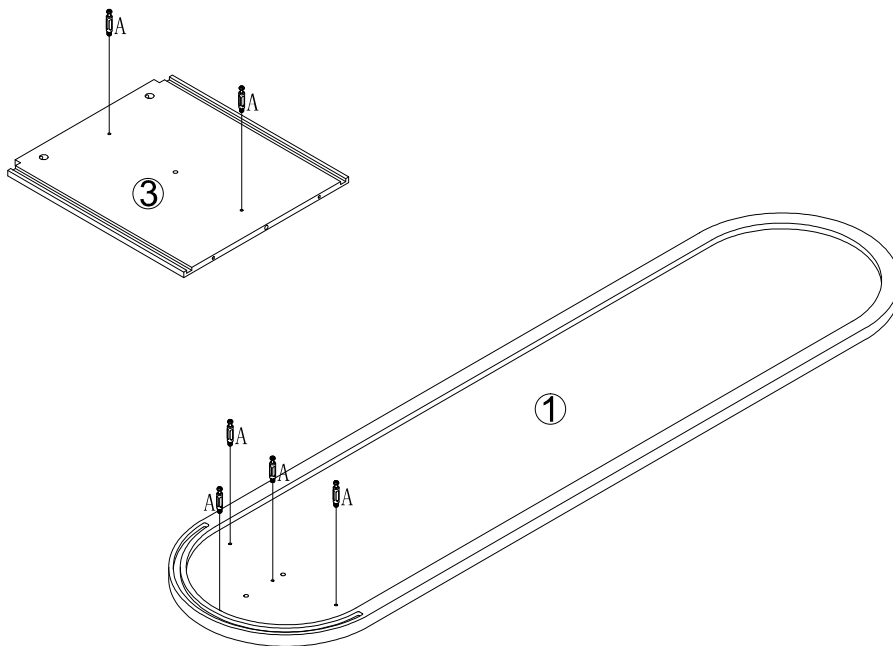


No. K
Quantity: 12 Sets



Description: Insert the thinner end of the reinforcement into the gap in this back panel, then tighten the screws. This will make the cabinet more stable.

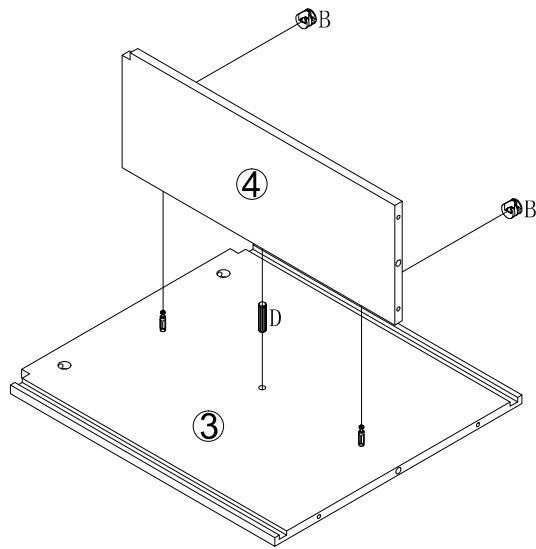
STEP 16



No. A
Quantity: 6 Pcs
8*28 mm



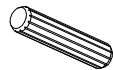
STEP 17



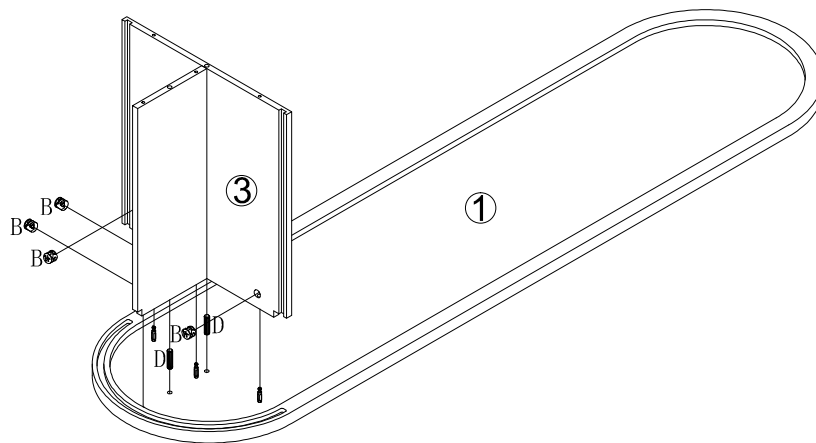
No. B
Quantity: 2 Pcs
Ø15



No. D
Quantity: 1 Pcs
8*30mm



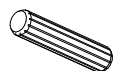
STEP 18



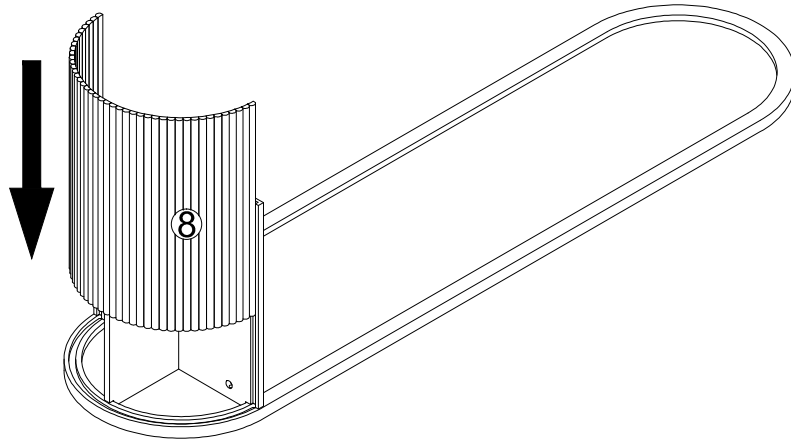
No. B
Quantity: 4 Pcs
Ø15



No. D
Quantity: 2 Pcs
8*30mm



STEP 19

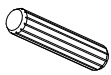


STEP 20



Note: This step requires two people to cooperate to complete the installation, as one person may damage parts during the installation process.

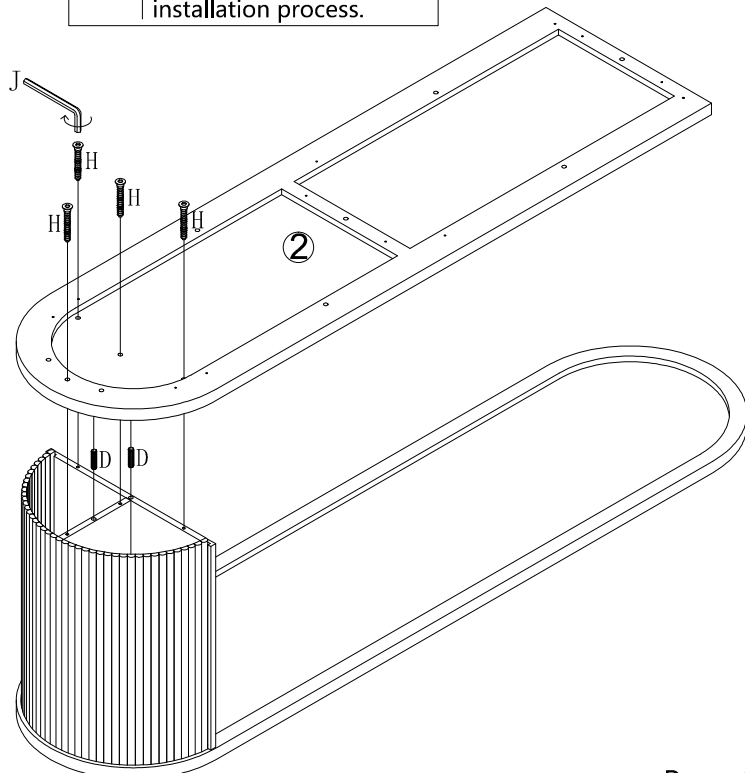
No. D
Quantity: 2 Pcs
8*30mm



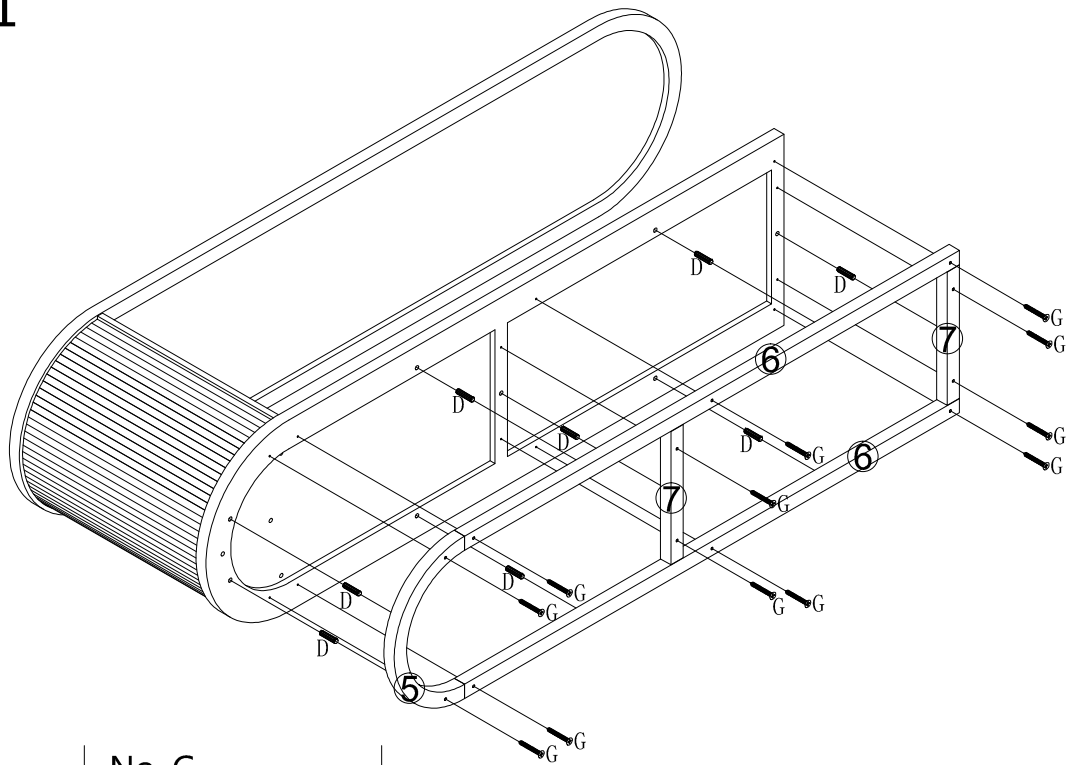
No. H
Quantity: 4 Pcs
M6*40mm



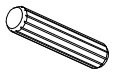
No. J
Quantity: 1 Pcs
4#



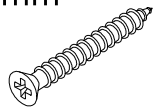
STEP 21



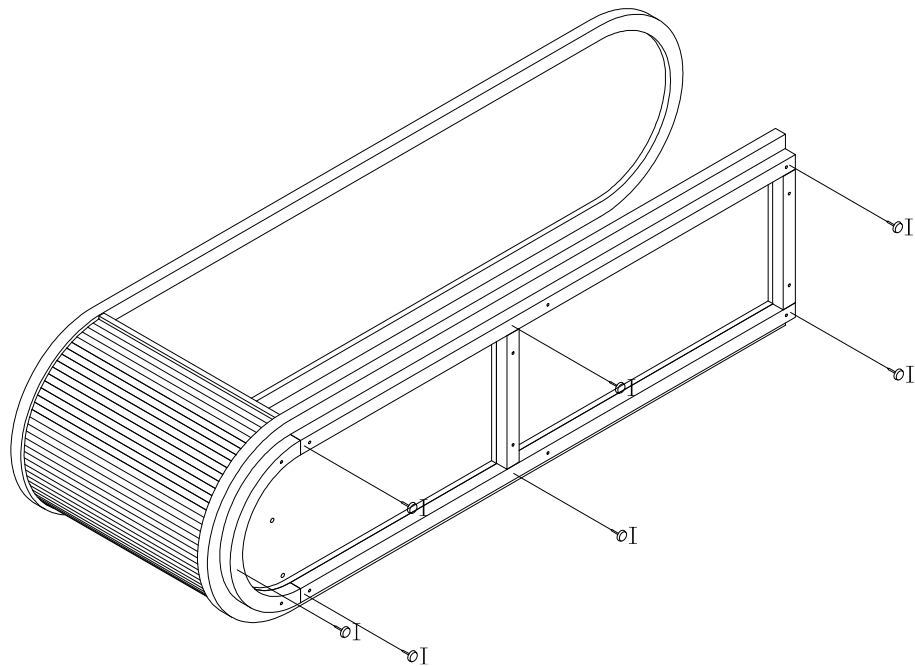
No. D
Quantity: 8 Pcs
8*30mm



No. G
Quantity: 12 Pcs
M4*40mm



STEP 22



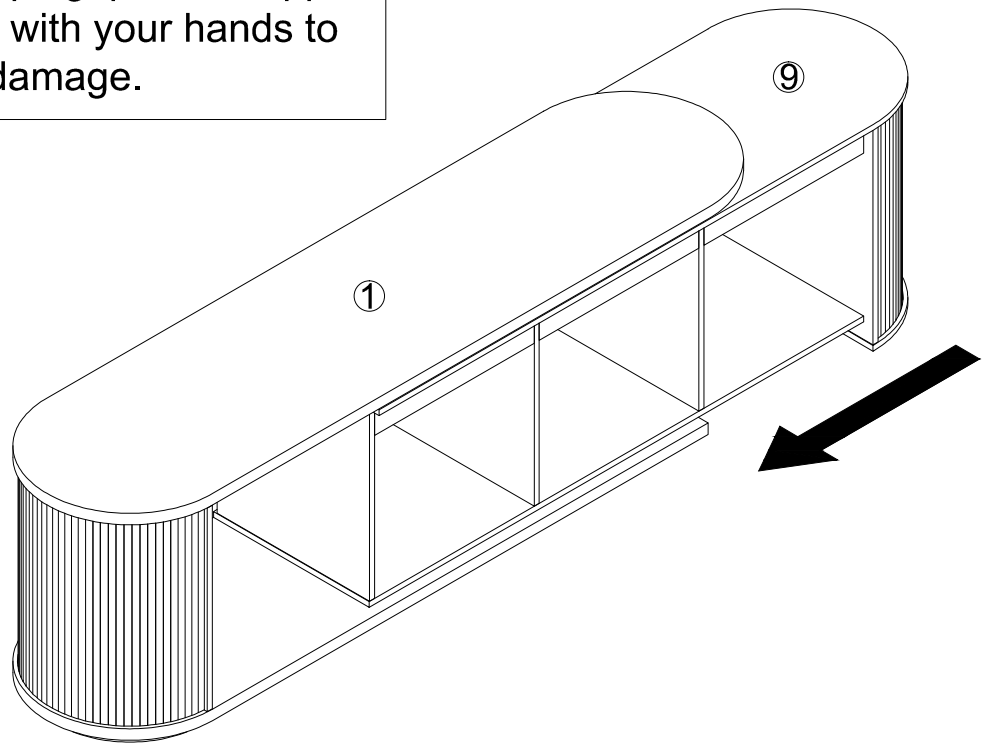
No. I
Quantity: 7 Pcs
Ø15



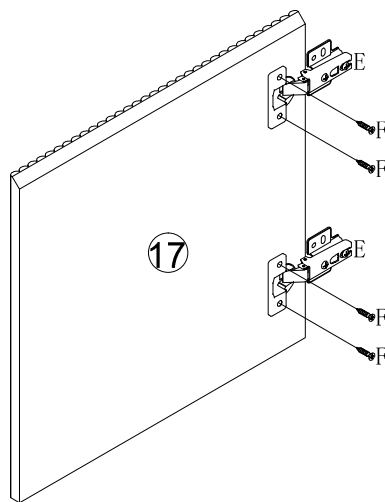
STEP 23



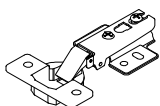
When flipping, please support board #1 with your hands to prevent damage.



STEP 24



No. E
Quantity: 6 Pcs

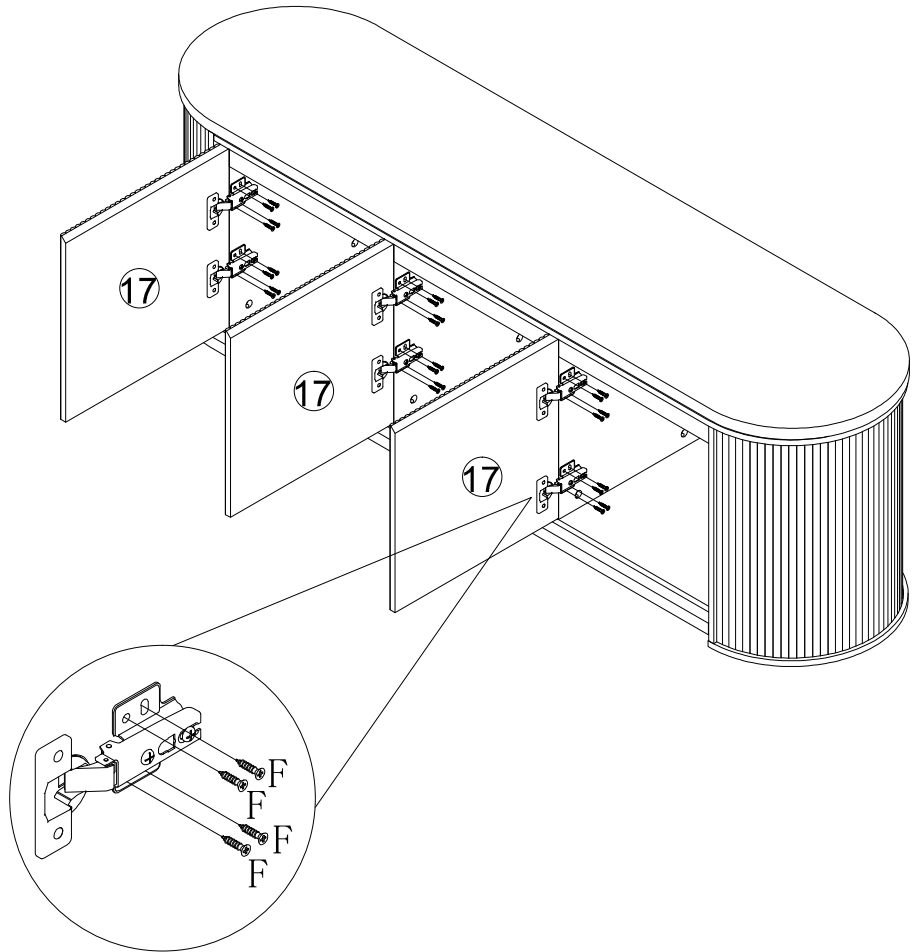
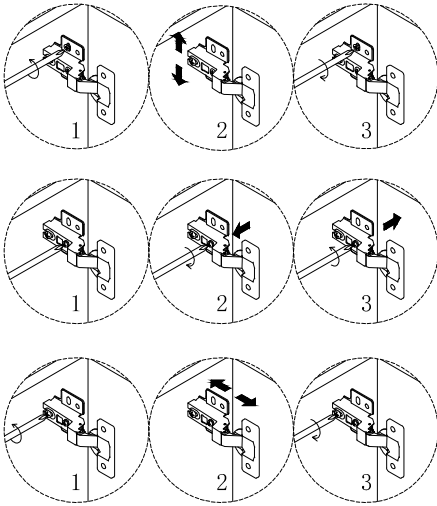


No. F
Quantity: 12 Pcs
M3.5*12mm



× 3

STEP 25

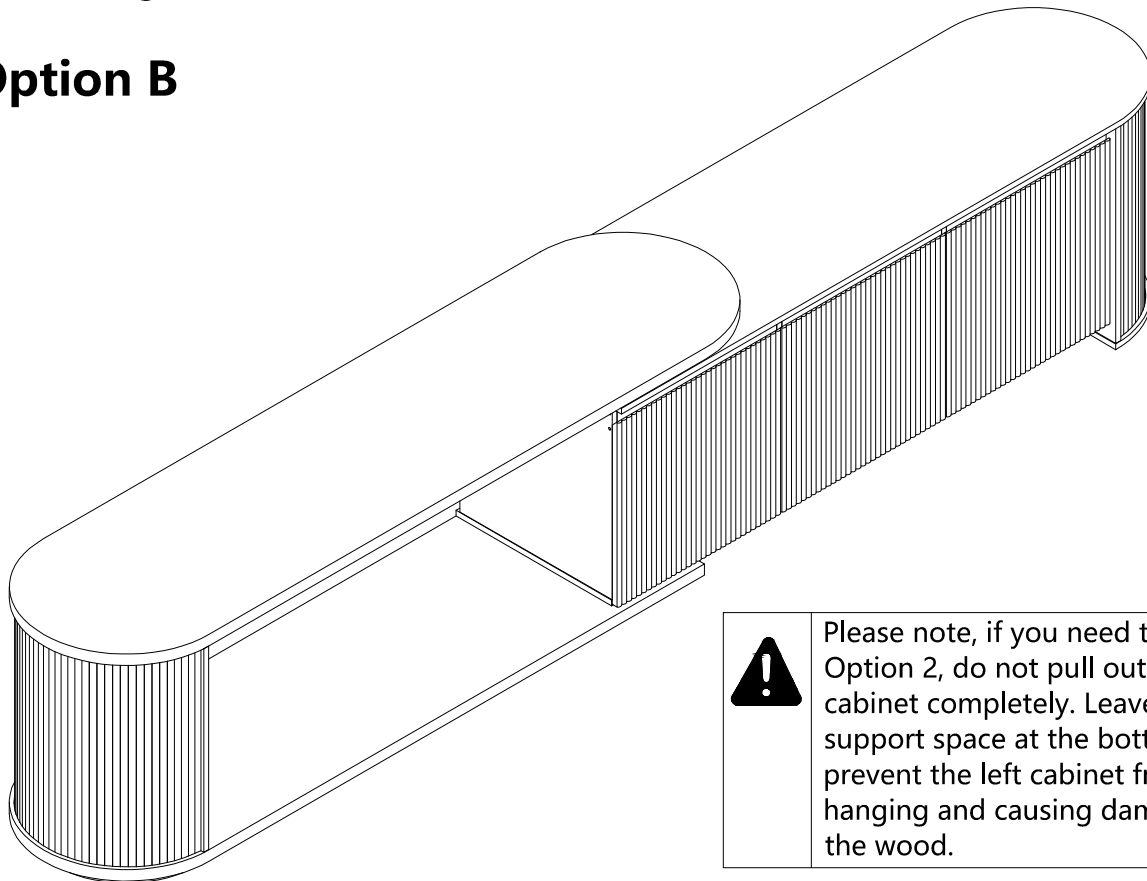


No. F
Quantity: 24 Pcs
M3.5*12mm



STEP 26

Option B



Please note, if you need to use Option 2, do not pull out the right cabinet completely. Leave some support space at the bottom to prevent the left cabinet from hanging and causing damage to the wood.