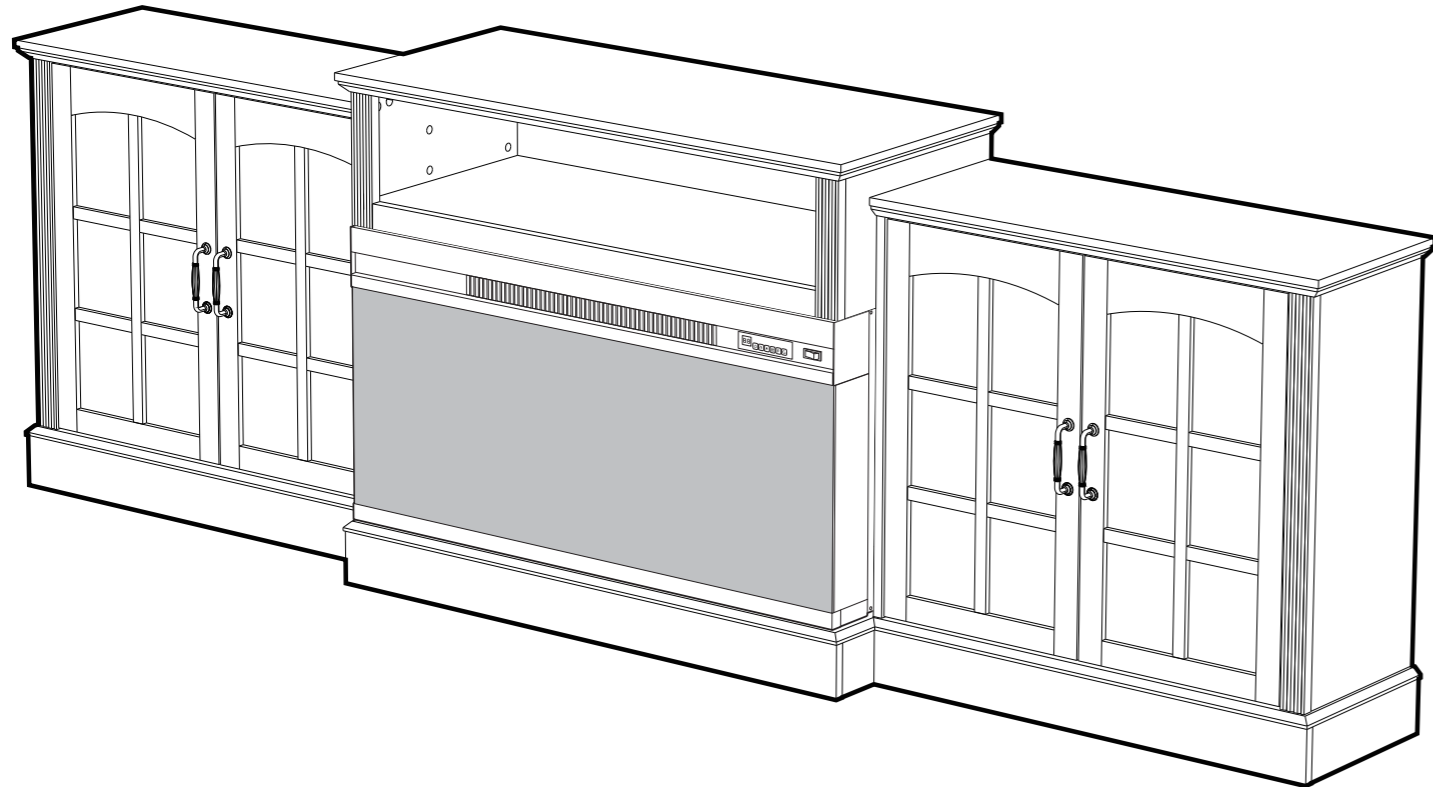


TV STAND

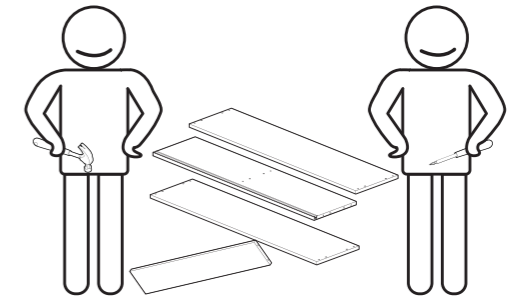
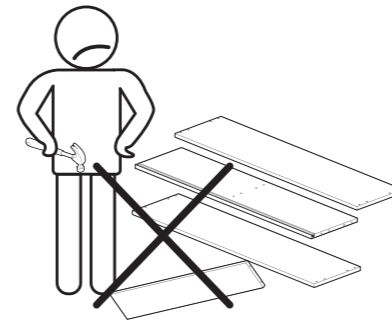
ASSEMBLY INSTRUCTIONS



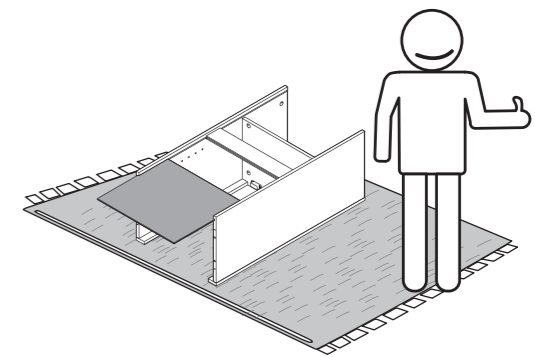
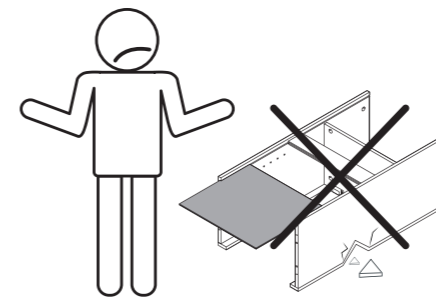
WARNING

Children have died from furniture tipover. To reduce the risk of furniture tipover:

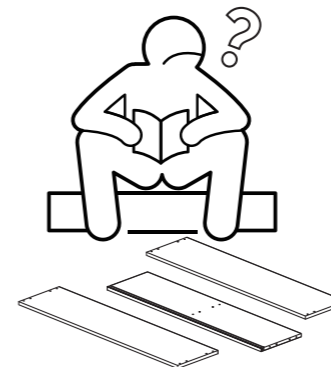
- ALWAYS install tipover restraint provided.
- NEVER allow children to stand, climb or hang on drawers, doors, or shelves.
- NEVER open more than one drawer at a time.
- Place heaviest items in the lowest drawer.



We recommend at least 2 people for the assembly.



To prevent any damage during assembly, place a mat under the pieces.

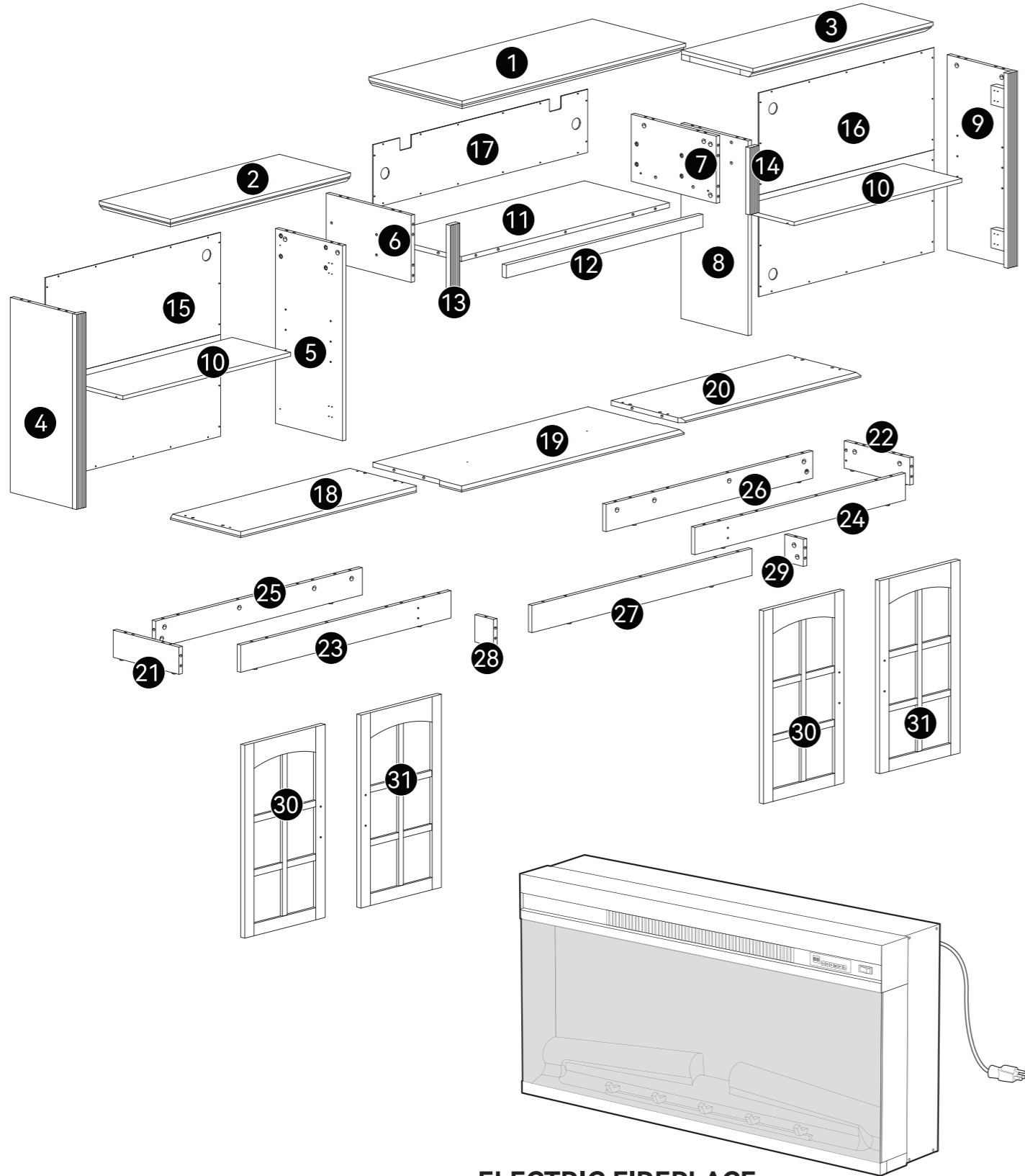


Any questions concerning assembly, contact us

PARTS DIAGRAM



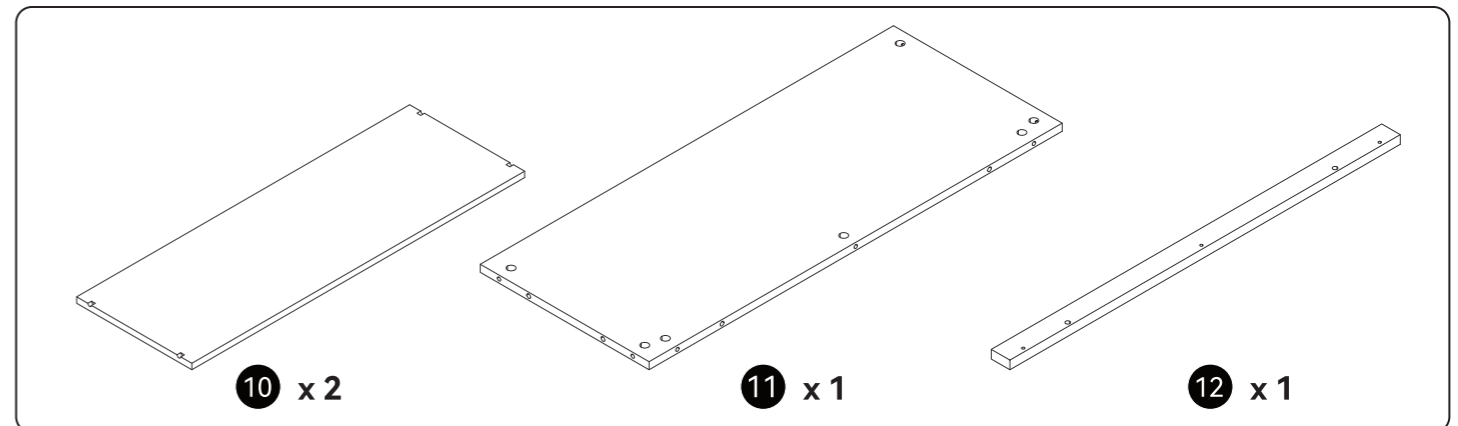
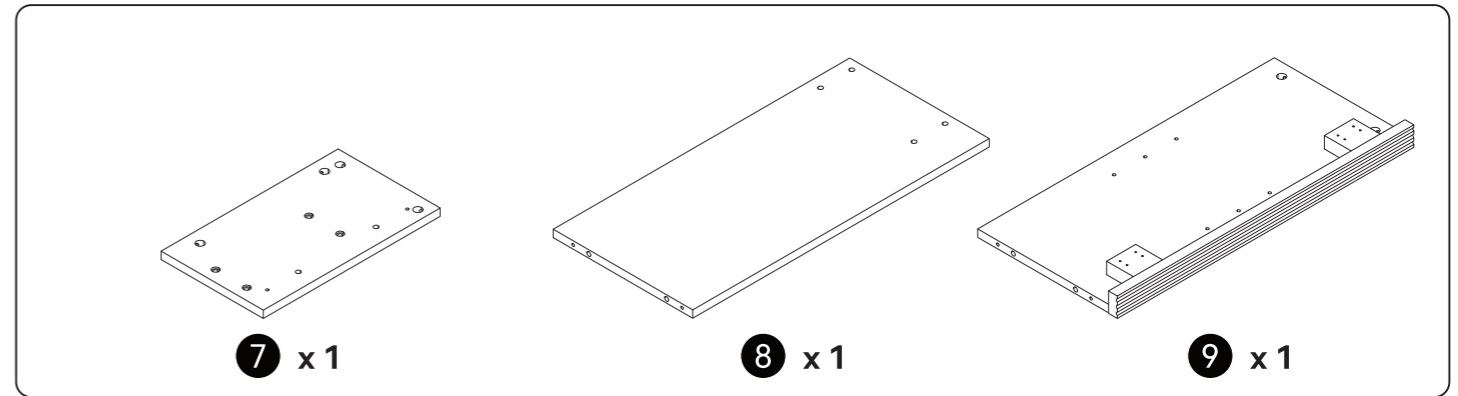
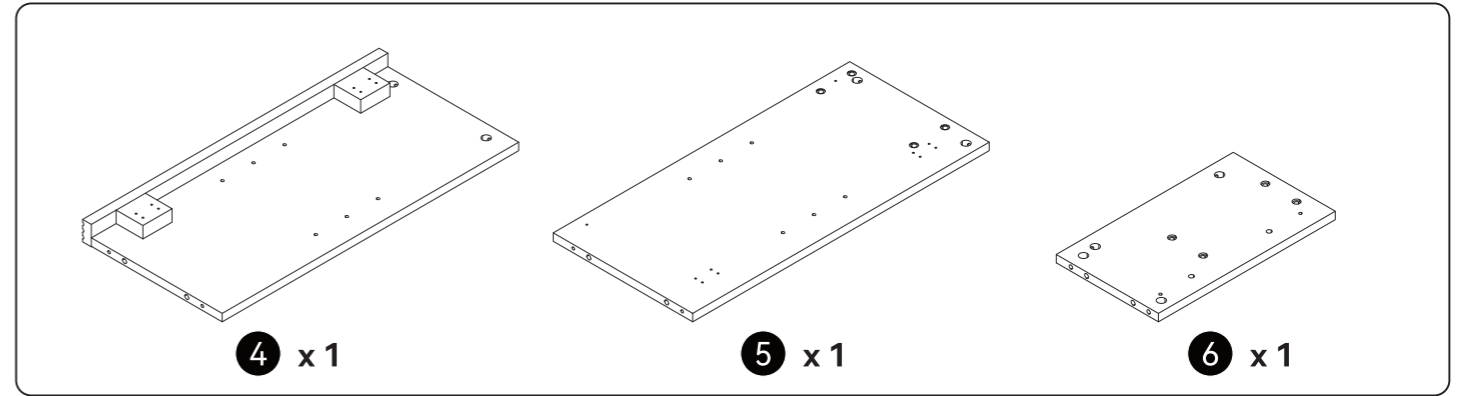
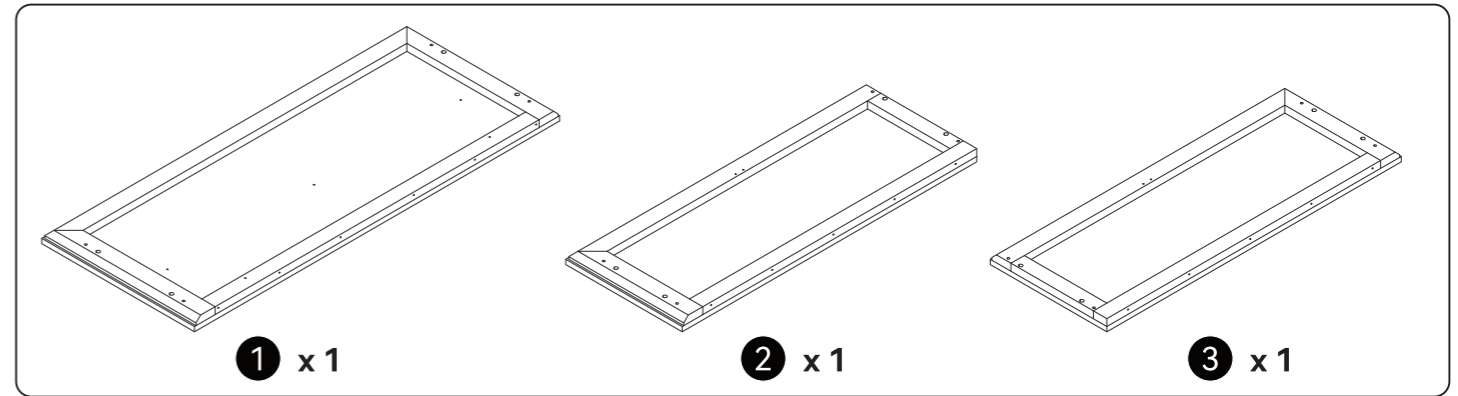
Check if all parts and hardwares are included. Contact us if there is any part missing or damaged.



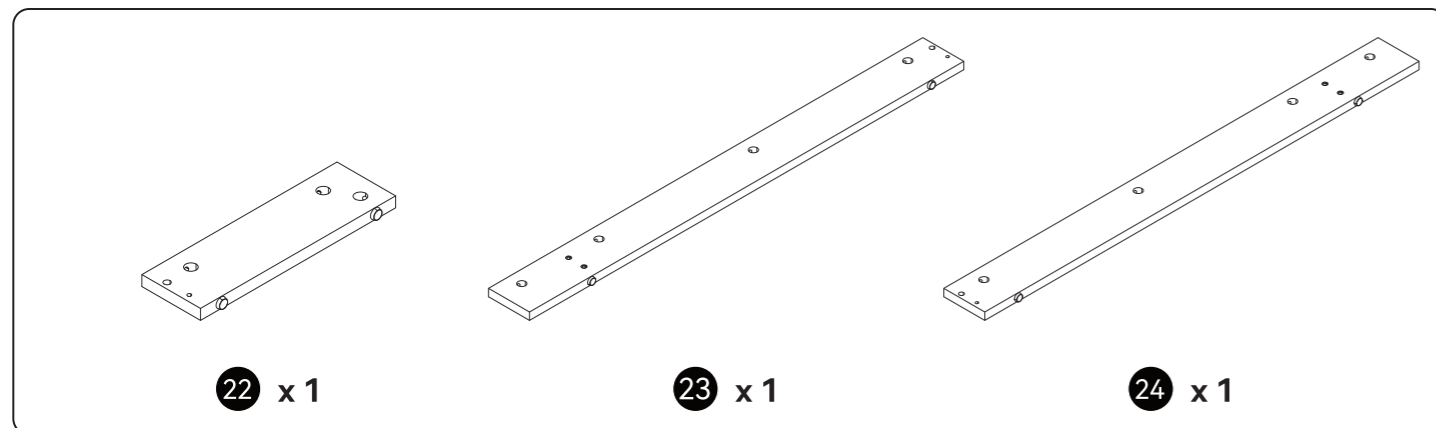
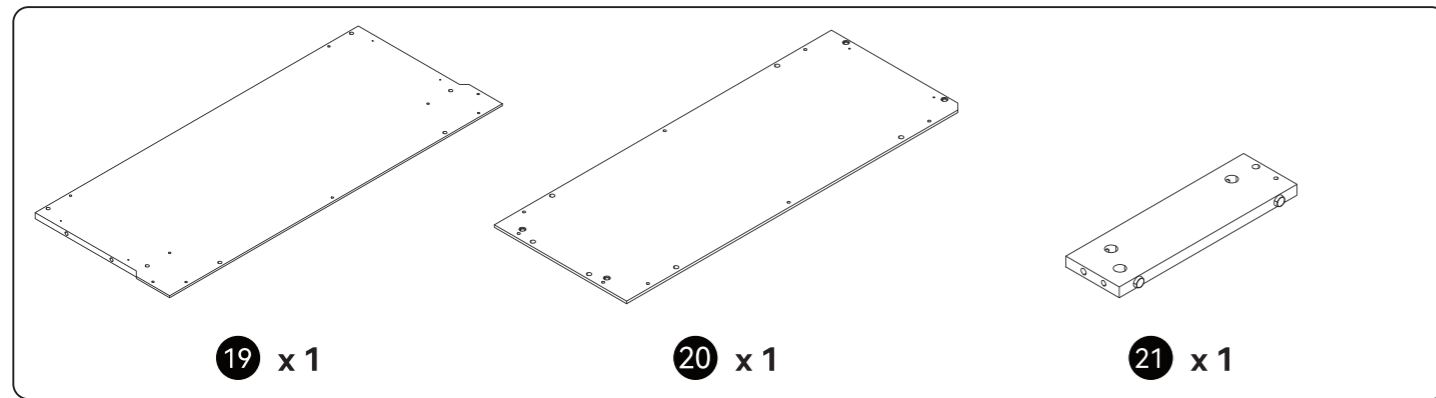
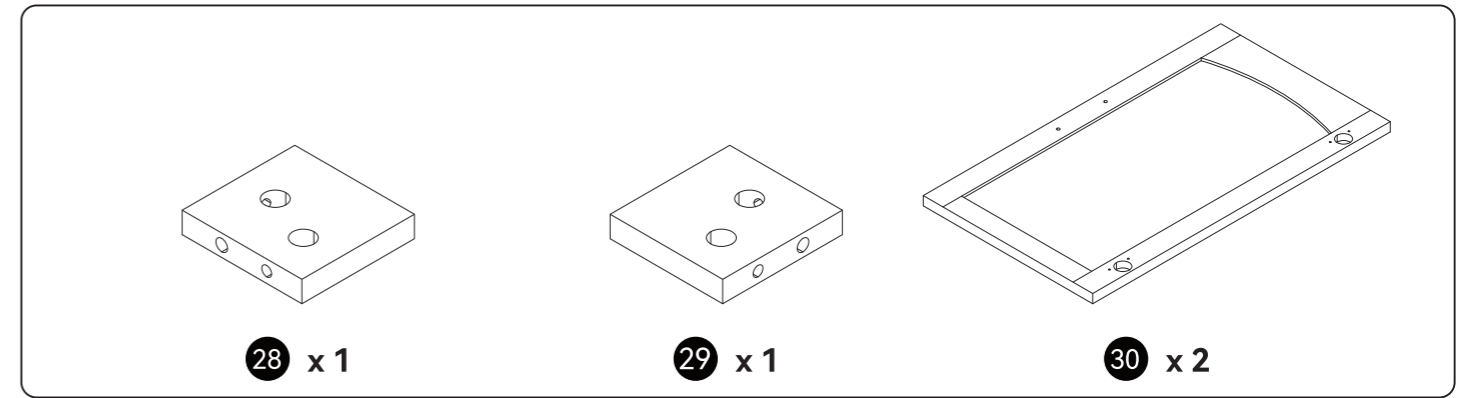
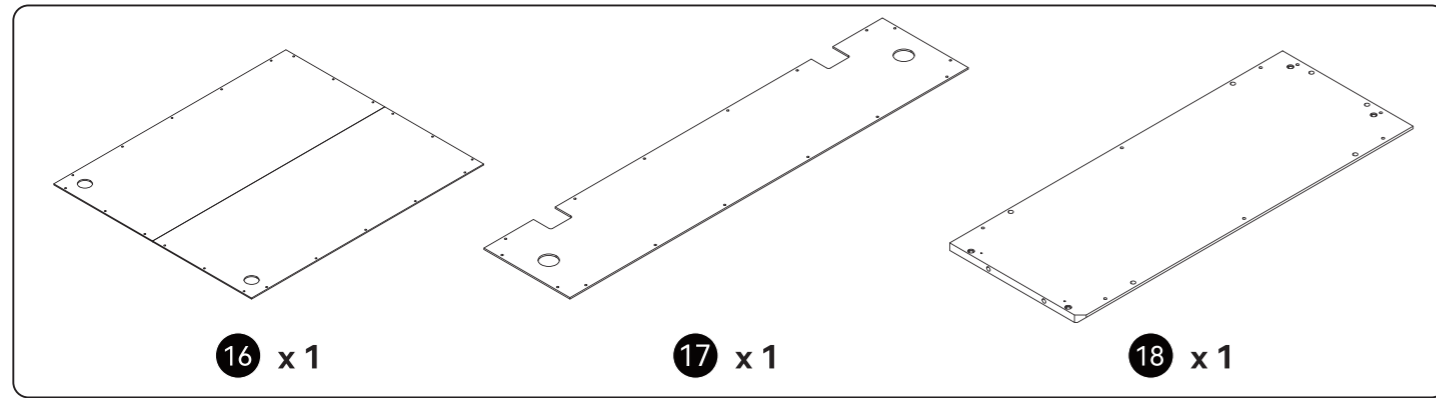
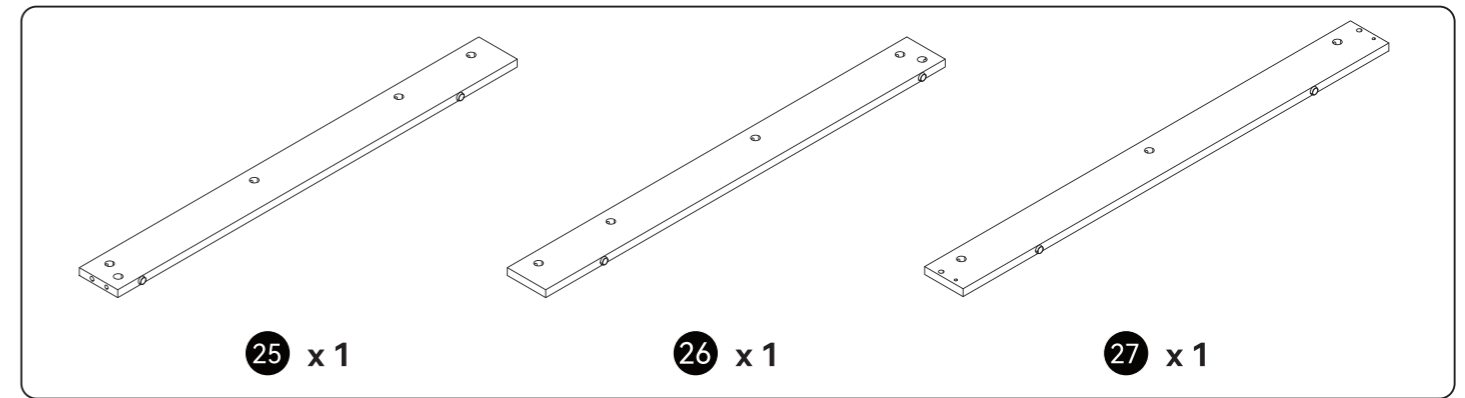
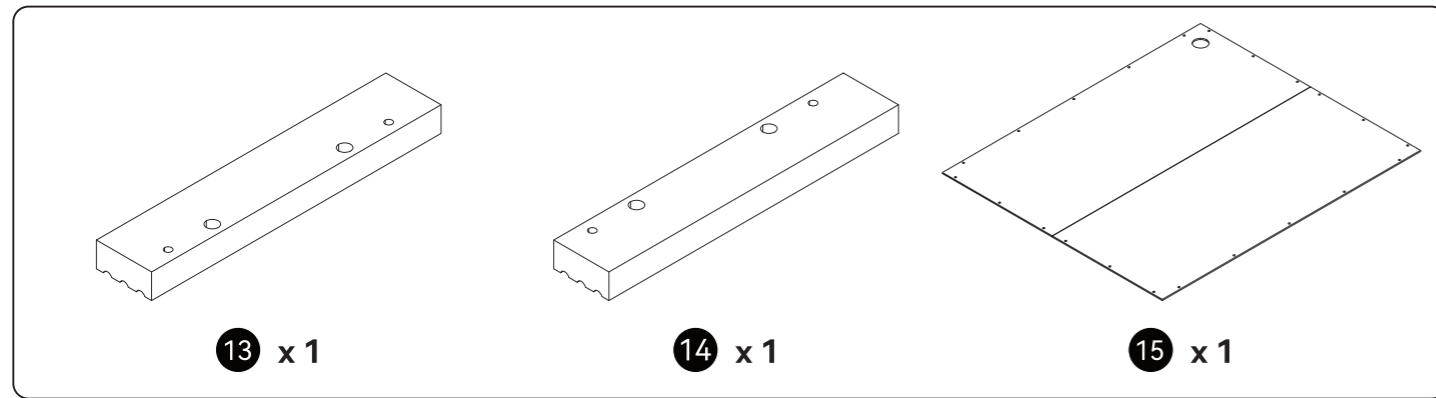
ELECTRIC FIREPLACE

The fireplace is delivered in a separate carton (Box 1). Wait patiently for two cartons to be arrived before assembling.

PARTS LIST



PARTS LIST



HARDWARES

SPARE PARTS

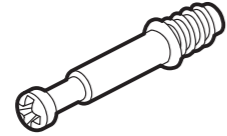


The spare parts are the additional parts provided in case of missing or damaged ones. Keep the spare parts and tools for future use.



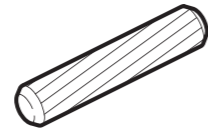
Ø15x11mm

A x 54



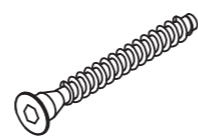
Ø6.5x35mm

B x 54



Ø8x30mm

C x 58



Ø6.3x50mm

D x 8



Ø3.5x14mm

E x 48



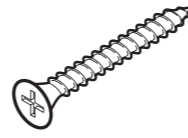
Ø4x14mm

F x 8



Ø3x14mm

G x 64



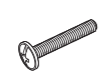
Ø4x40mm

H x 4



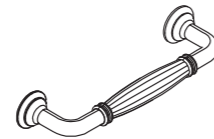
M6x25mm

I x 8

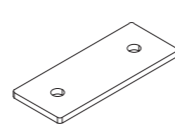


M4x22mm

J x 8

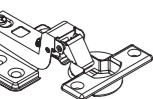


K x 4



50x20x2mm

L x 4



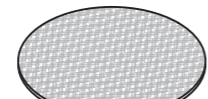
Ø25mm

M x 8



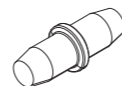
4x65mm

N x 1



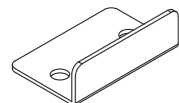
Ø21mm

O x 30



Ø5x17mm

P x 8



30x20x10mm

Q x 2



x2

Ø4x40mm



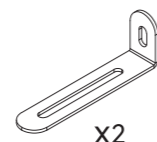
x2

Ø4x14mm



x2

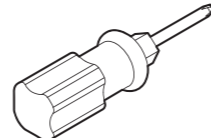
Ø8x29mm



x2

73x15x24mm

R

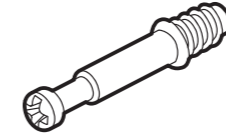


S x 1



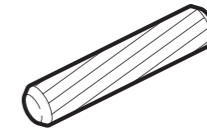
Ø15x11mm

A x 3



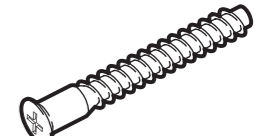
Ø6.5x35mm

B x 3



Ø8x30mm

C x 3



Ø6.3x50mm

D x 1



Ø3.5x14mm

E x 3



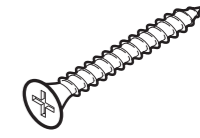
Ø4x14mm

F x 1



Ø3x14mm

G x 3



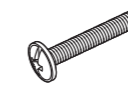
Ø4x40mm

H x 1



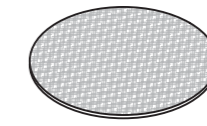
M6x25mm

I x 1



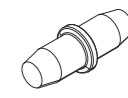
M4x22mm

J x 1



Ø21mm

O x 2




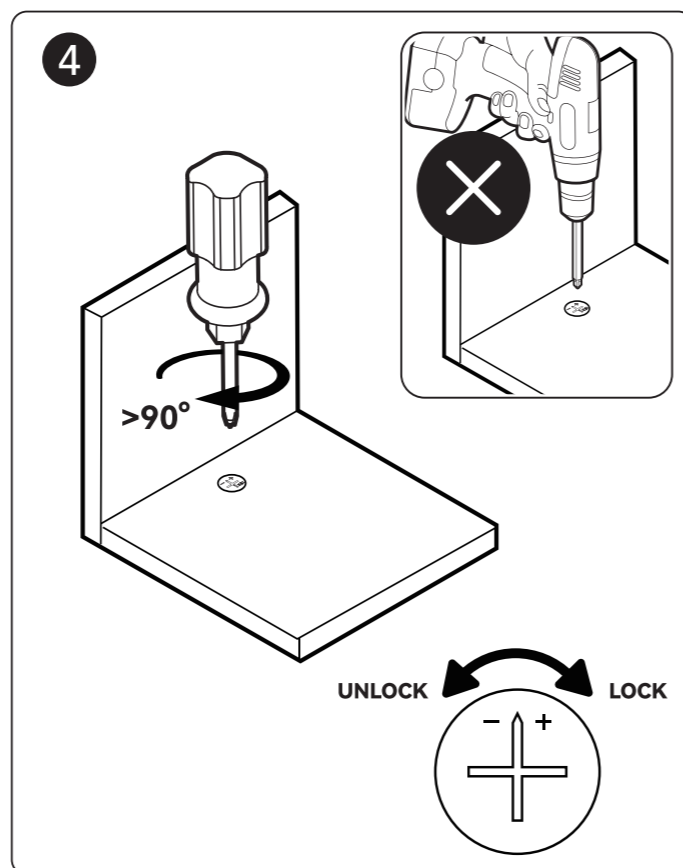
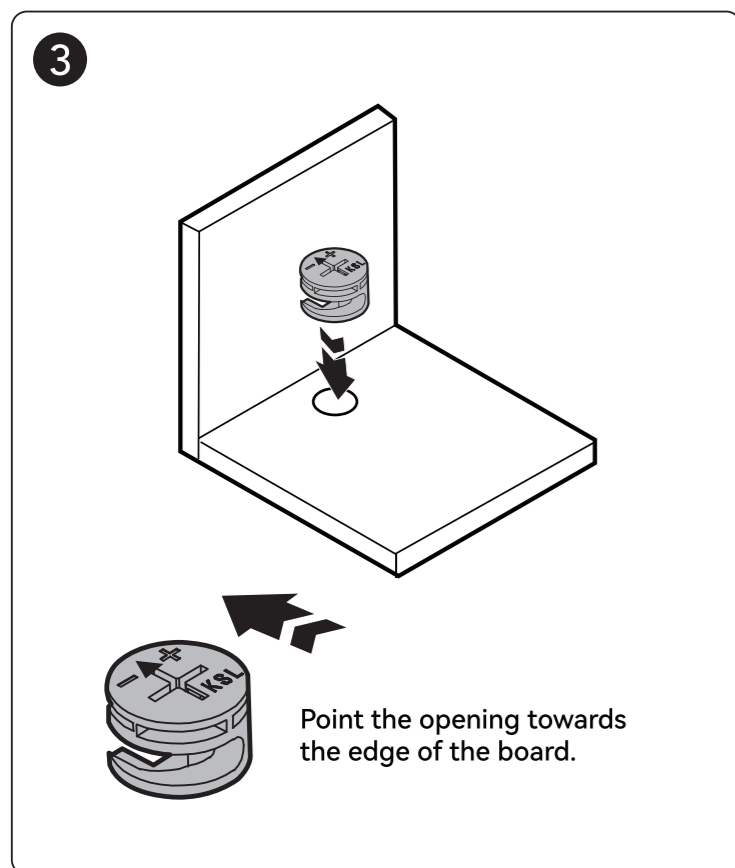
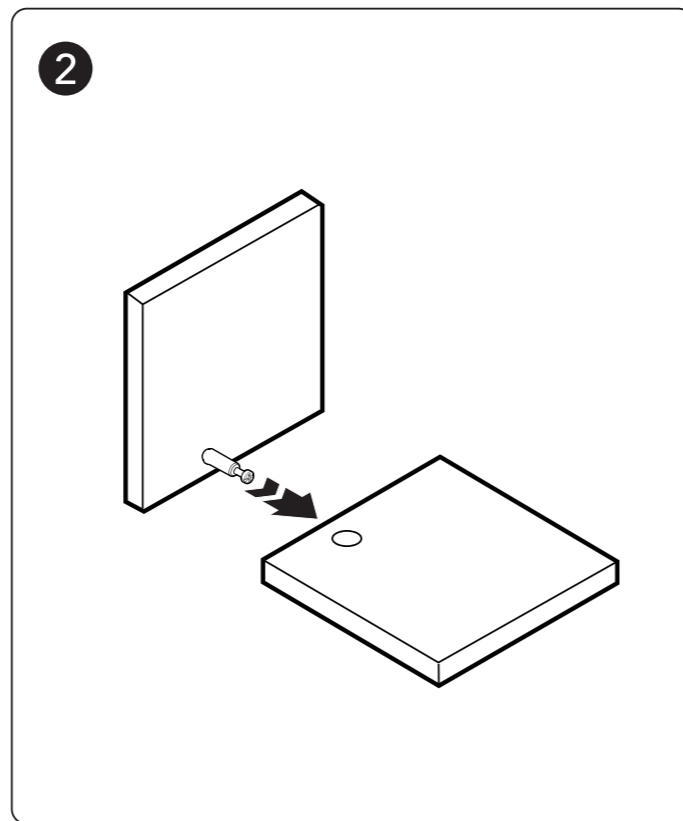
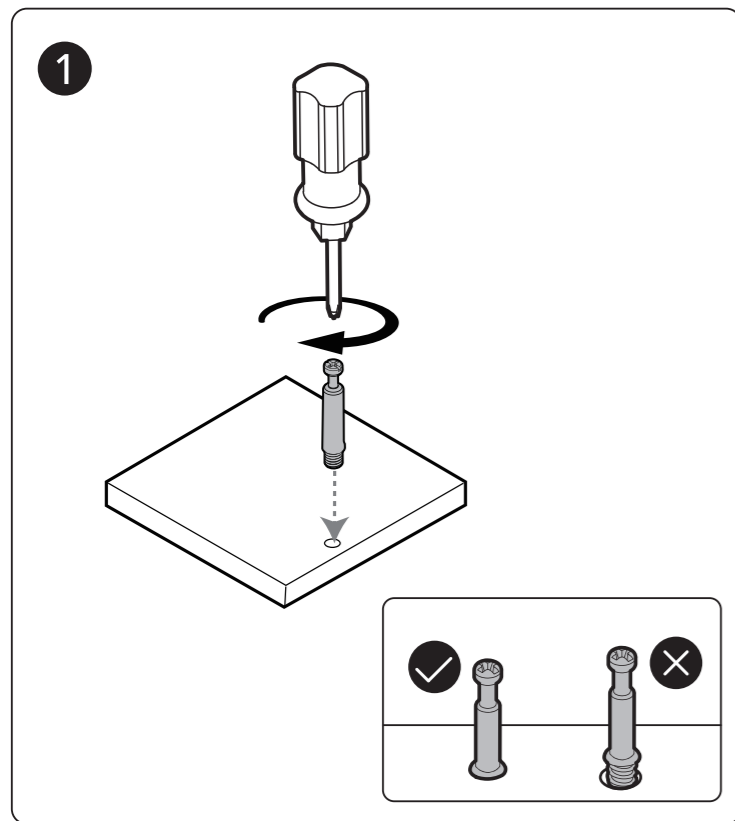
Ø5x17mm

P x 1

CAM LOCK FASTEN SYSTEM

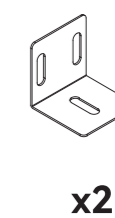
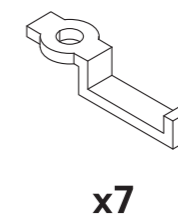
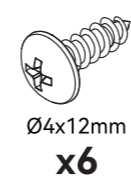
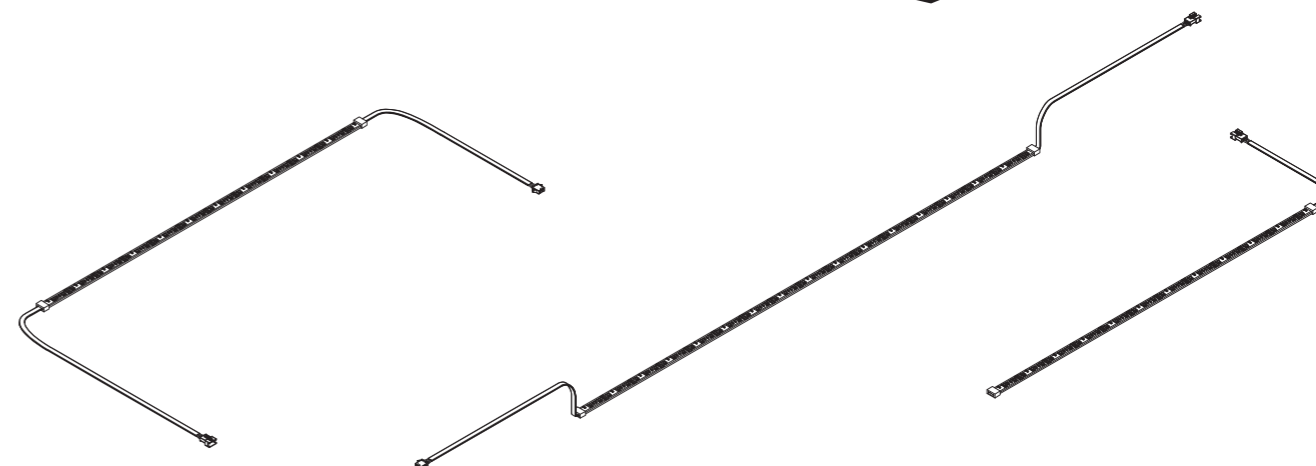
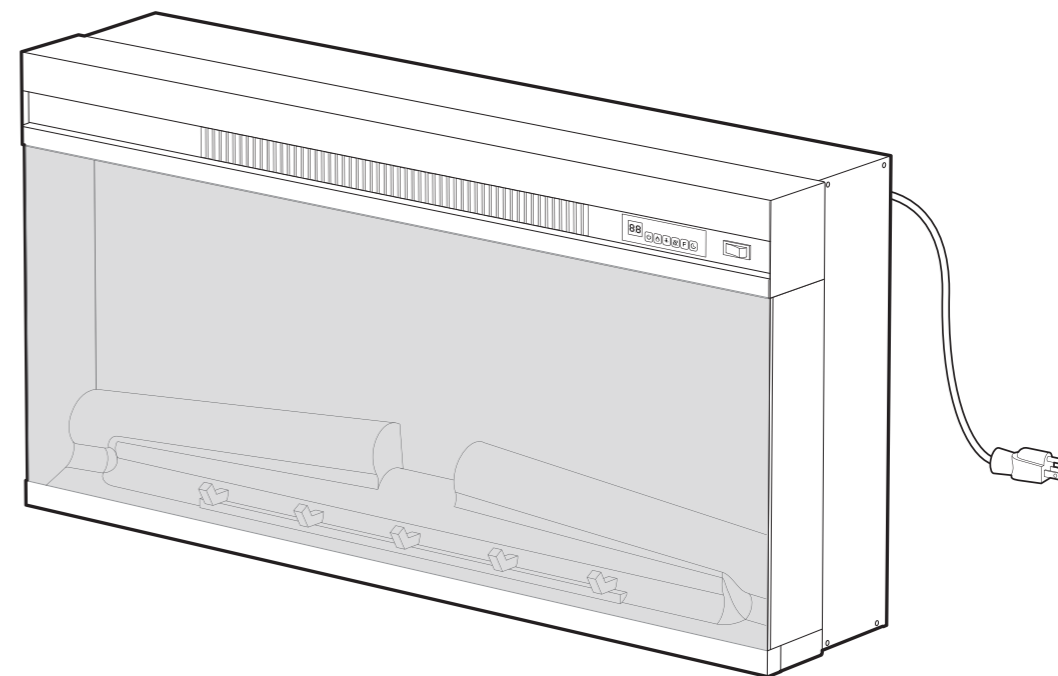
ASSEMBLY

 Insert the cam bolt into the hole, then insert the cam lock and tighten.

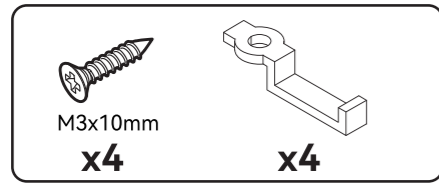


1

Unpack box 1 for the fireplace and accessories.
Set aside for later use.



2

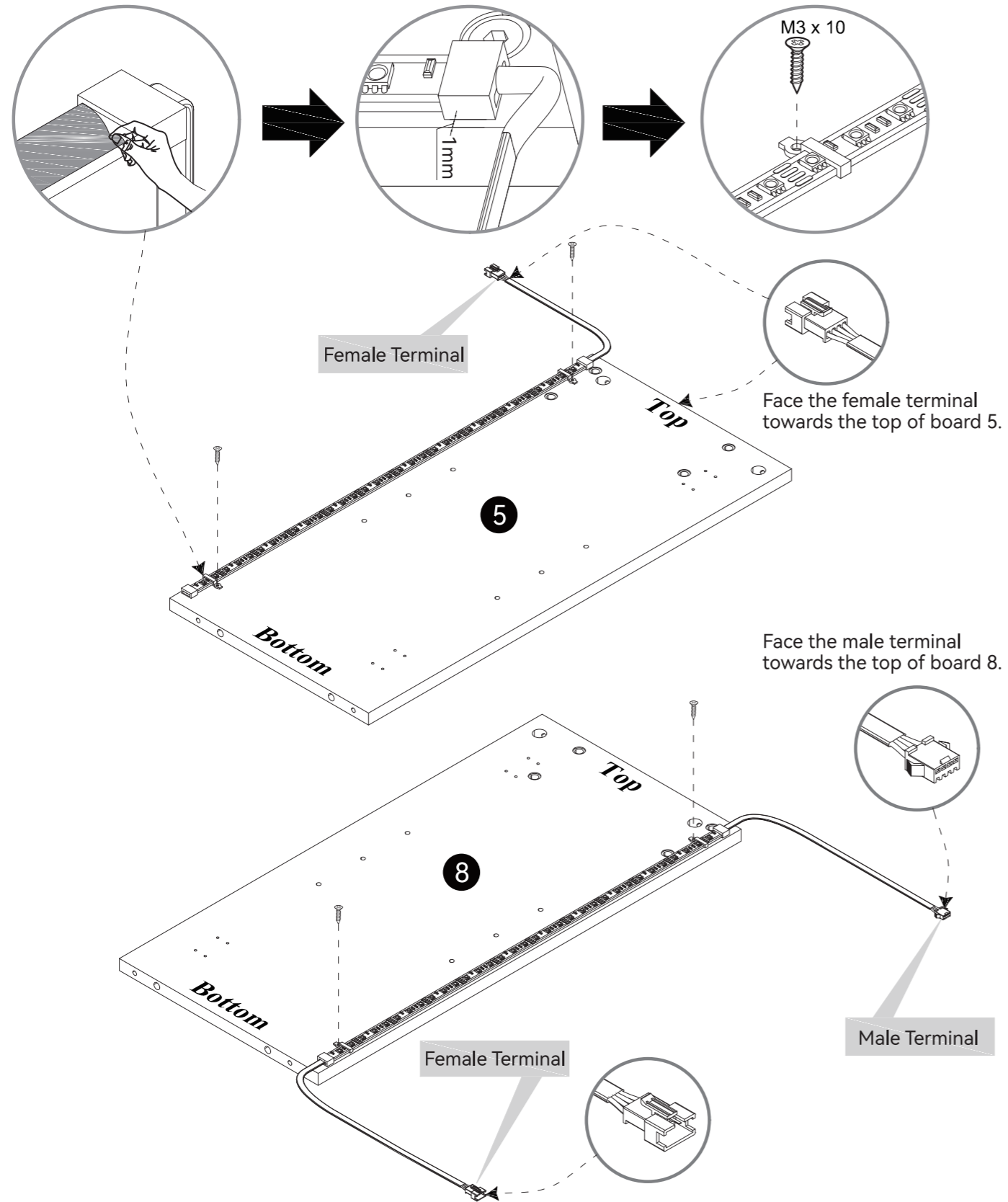


! Strictly follow the steps in the exact order as illustrated.

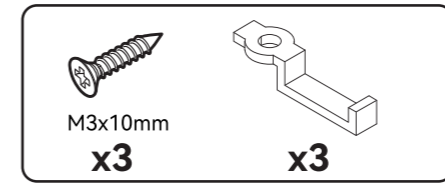
Peel off 3M adhesive backing from strip light.

Apply the strip light centered along the back edge, 1mm from the border. Ensure equal spacing at both ends.

Secure the strip light with clips and screws (M3*10).



3

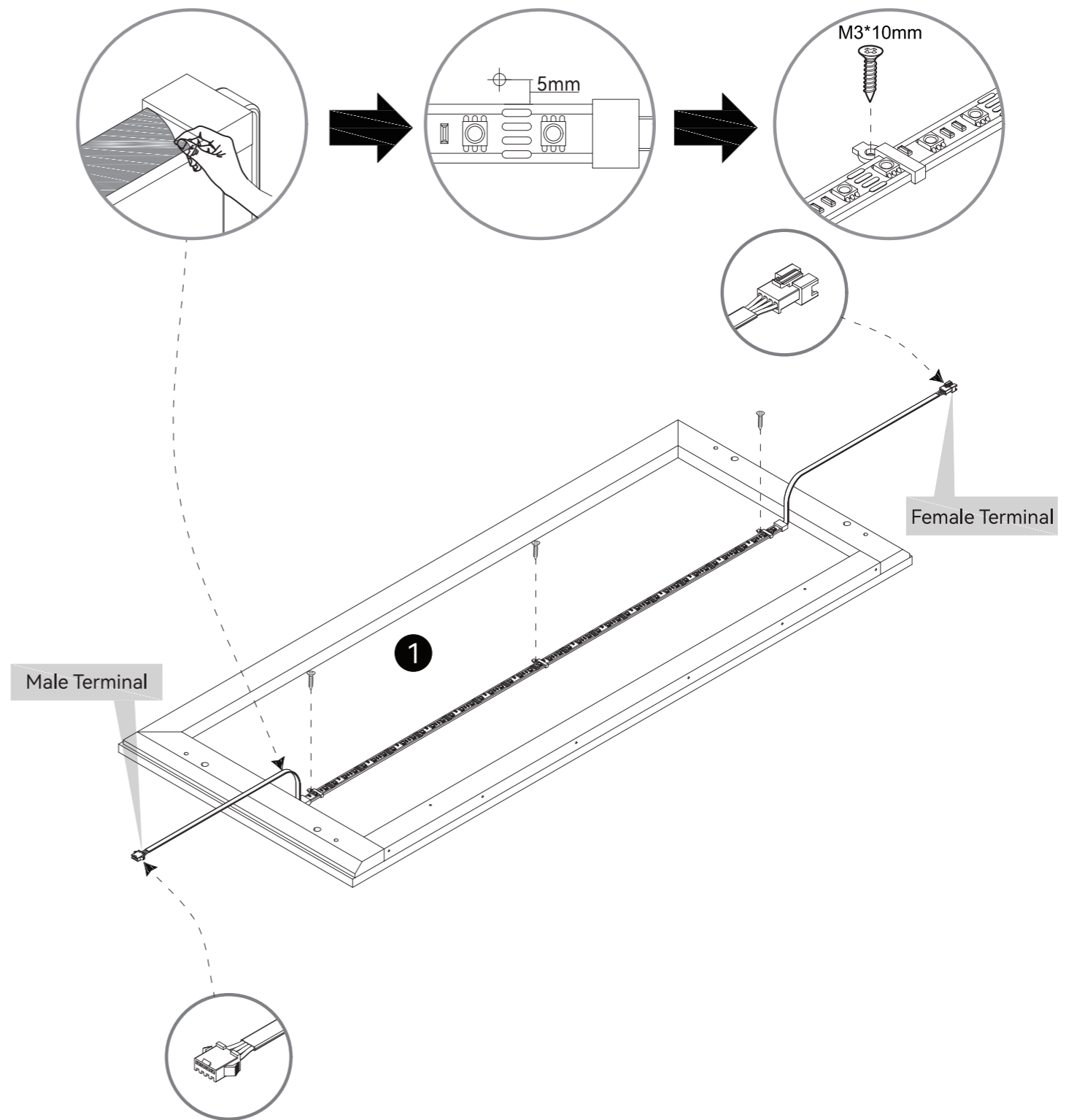


! Strictly follow the steps in the exact order as illustrated.

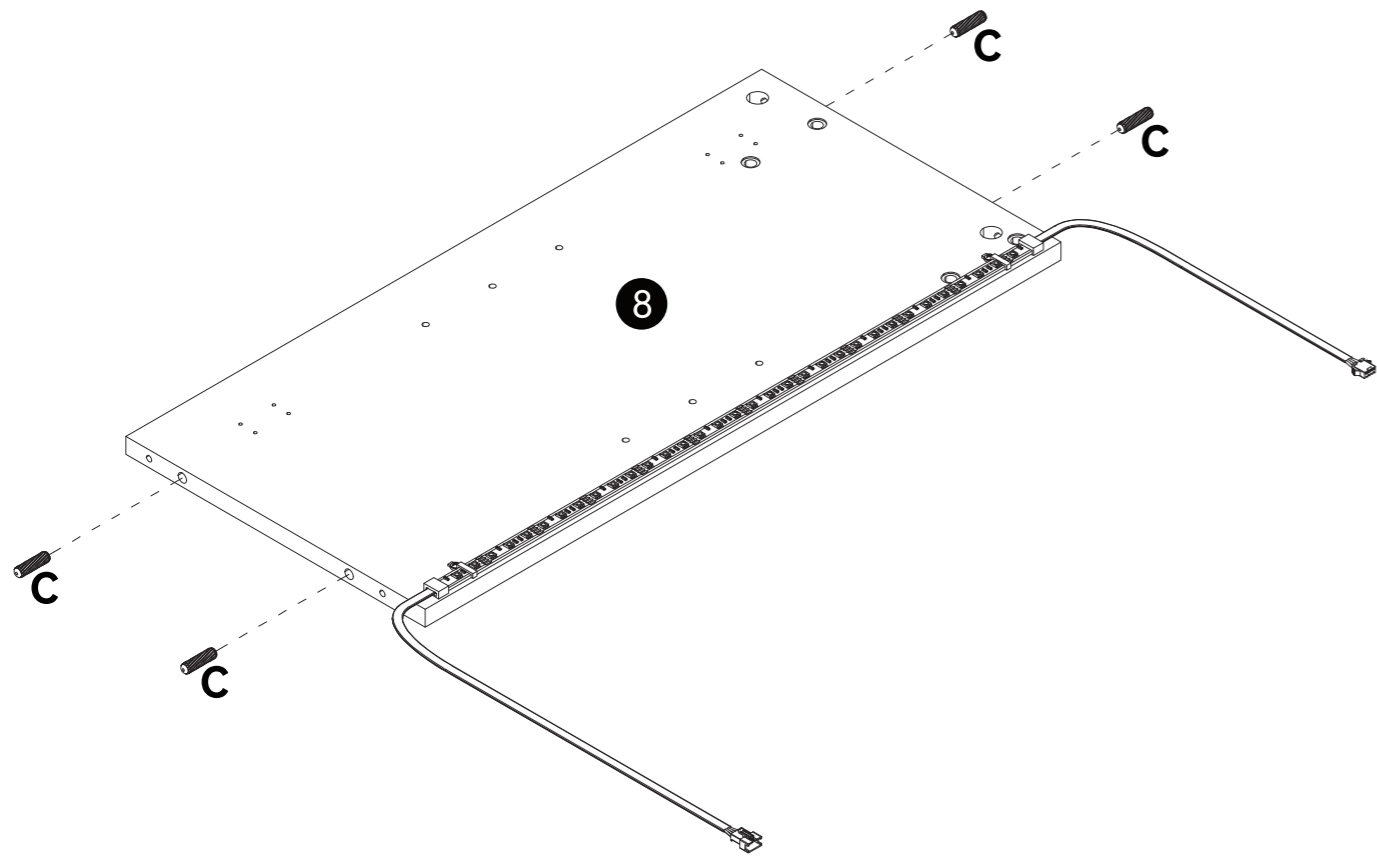
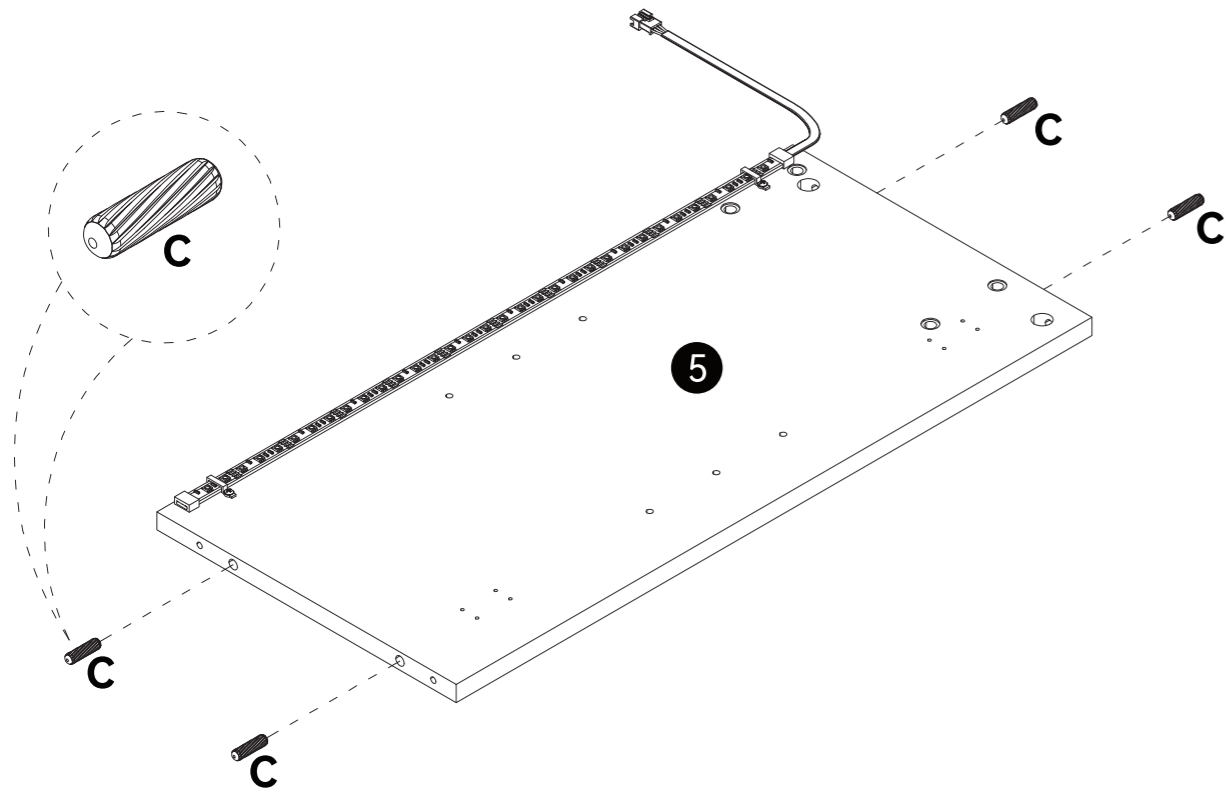
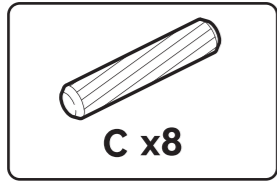
Peel off 3M adhesive backing from strip light.

Apply the strip light 5mm from the hole center. Ensure equal spacing at both ends.

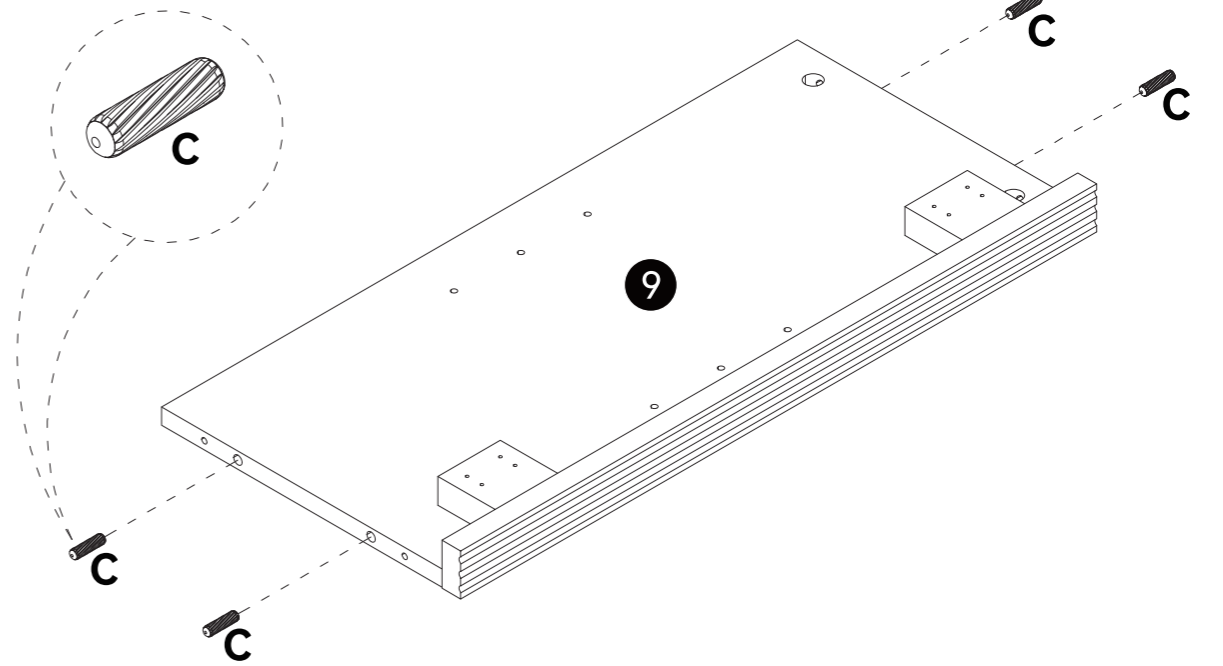
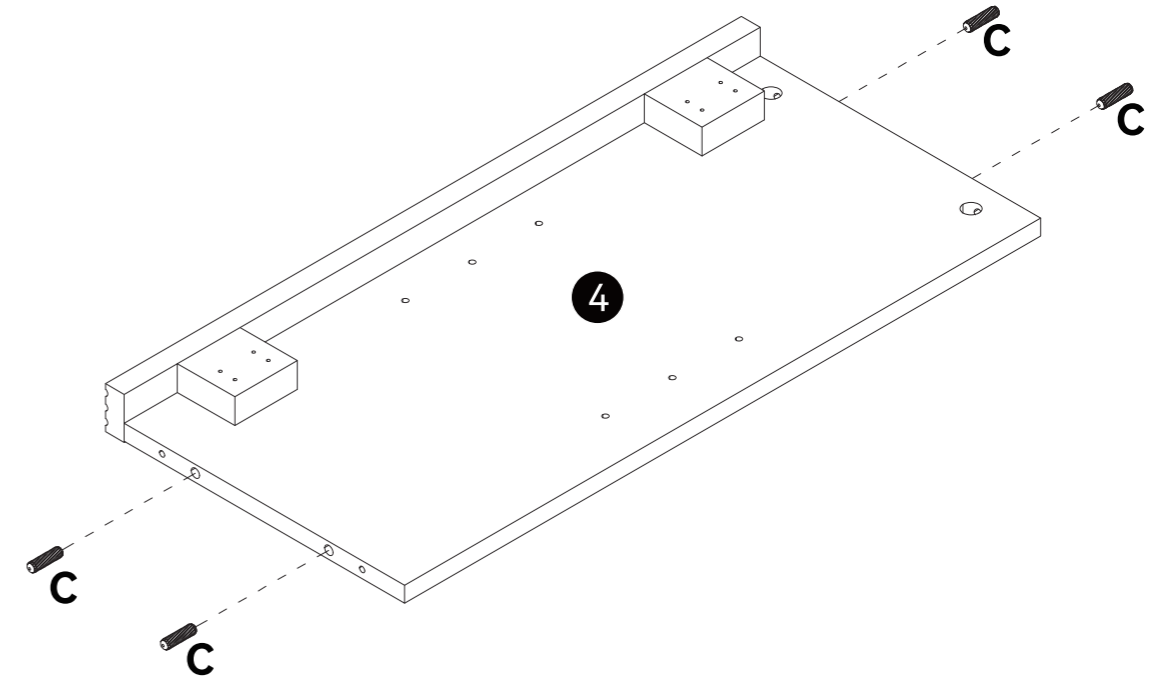
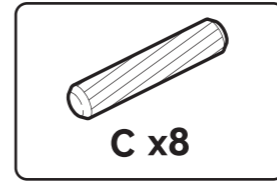
Secure the strip light with clips and screws (M3*10).



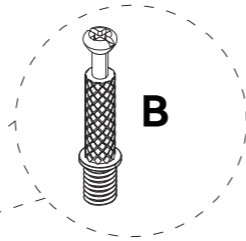
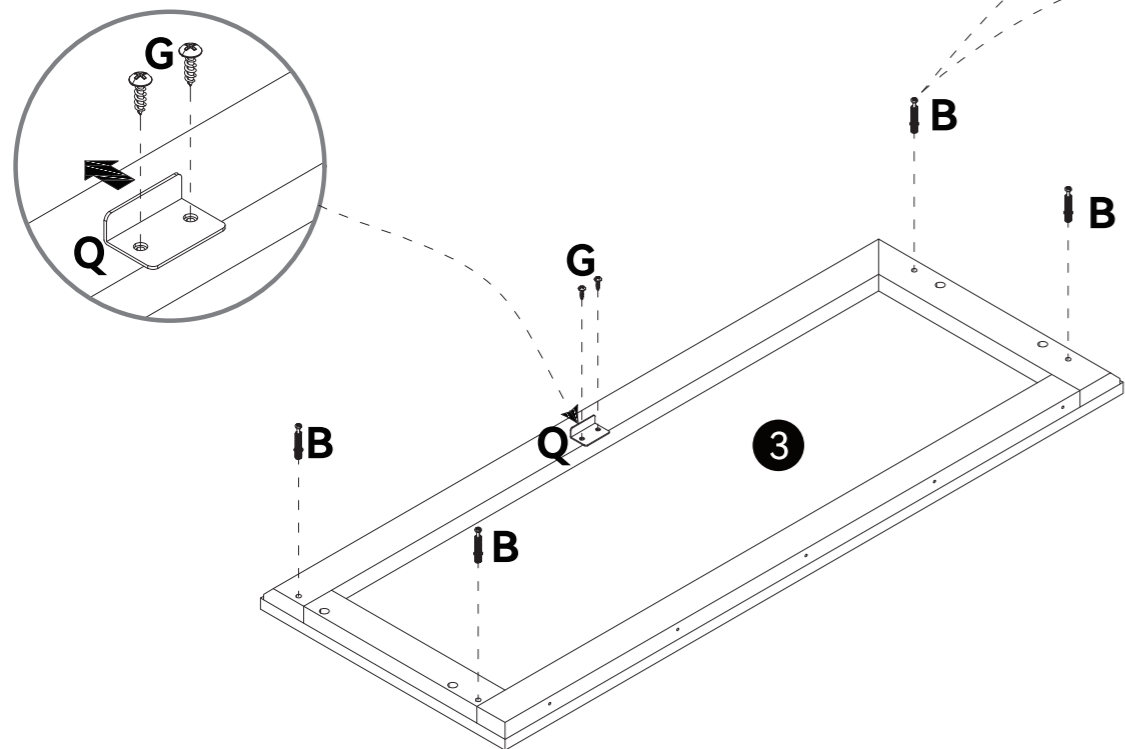
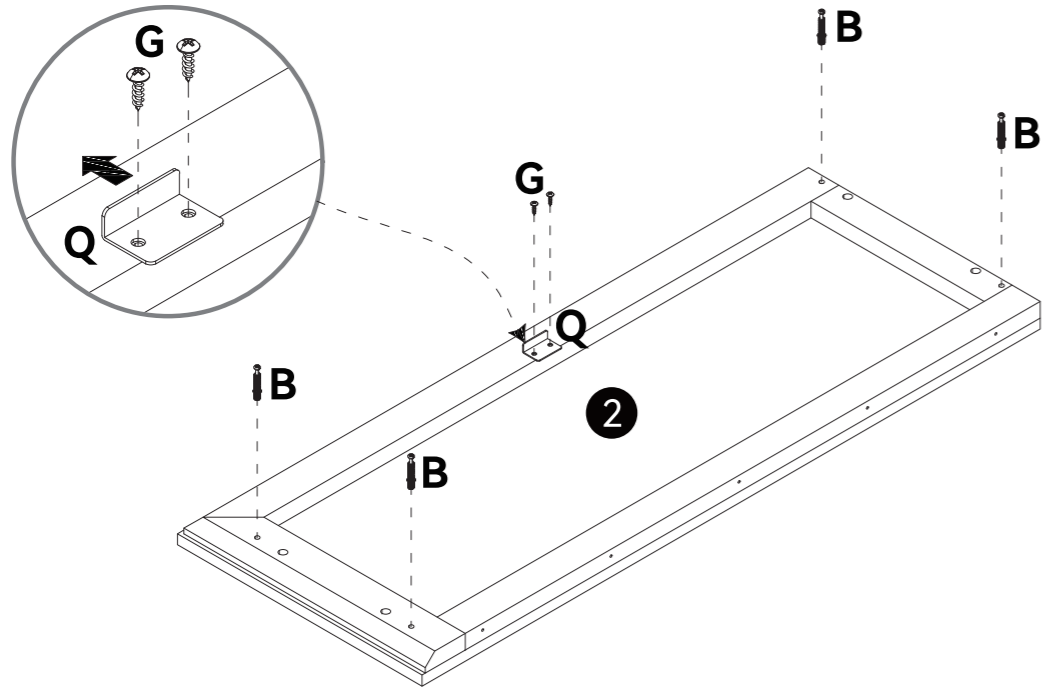
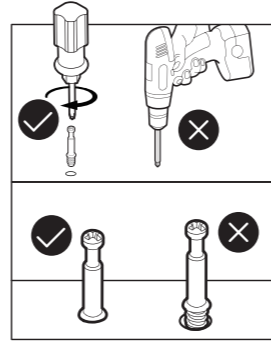
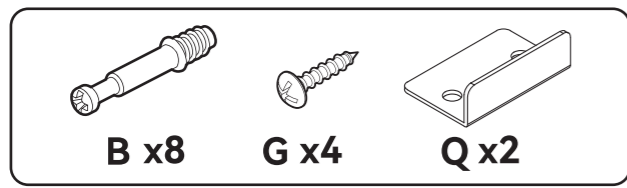
4



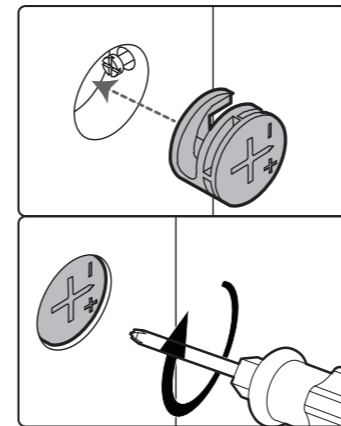
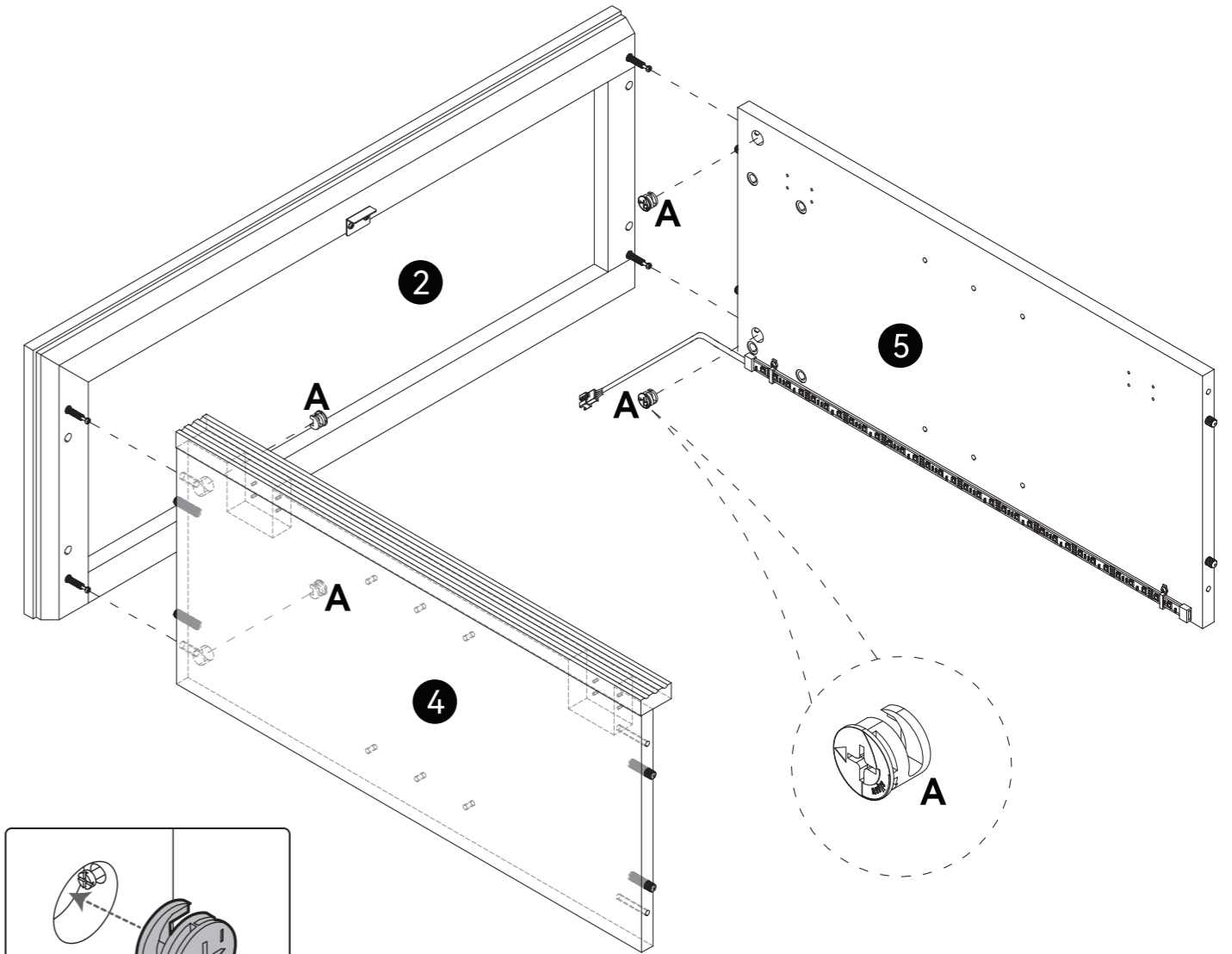
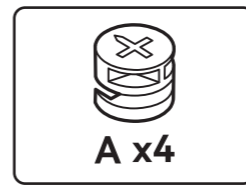
5



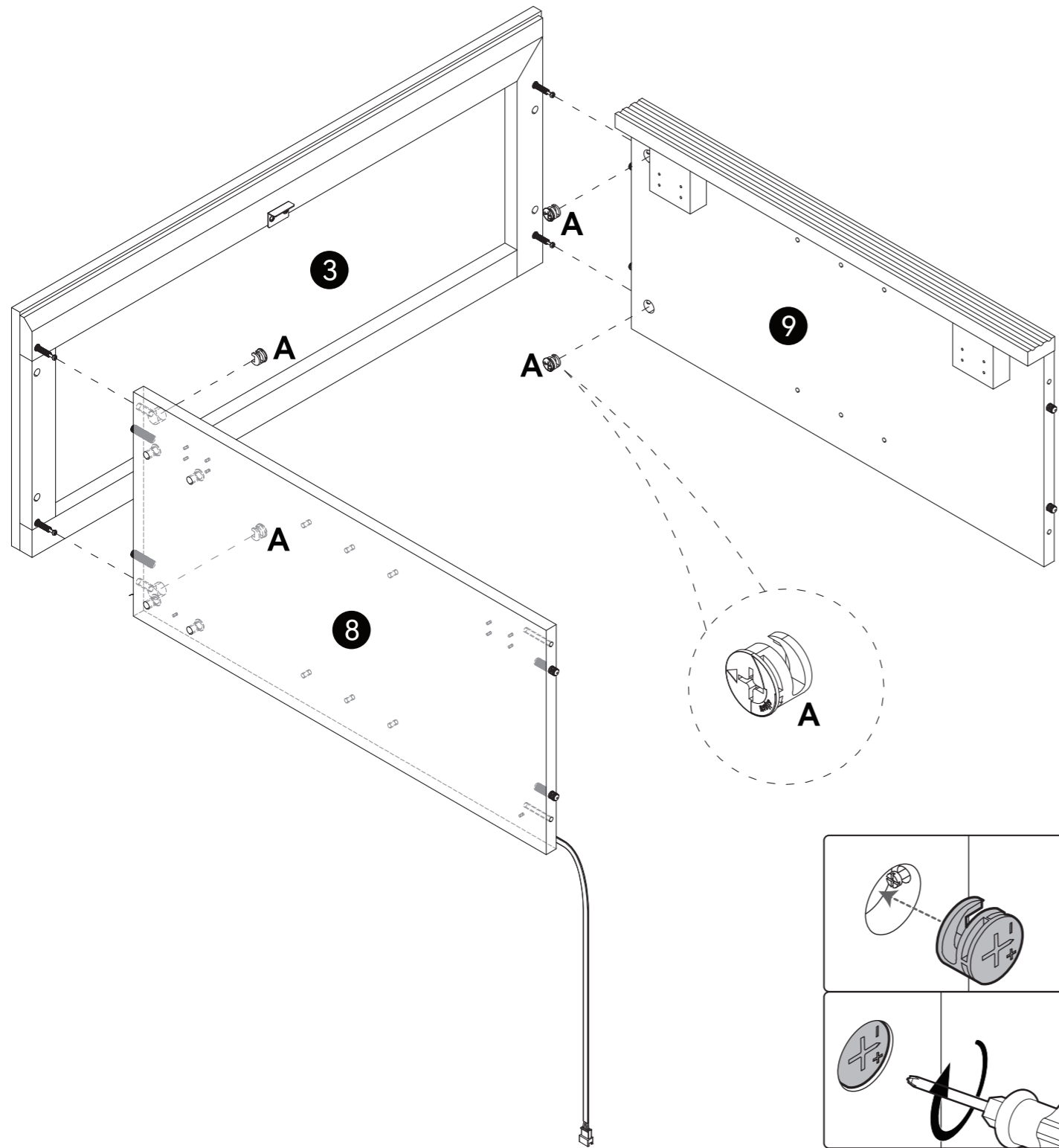
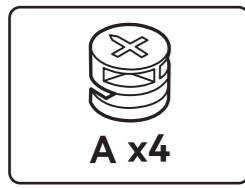
6



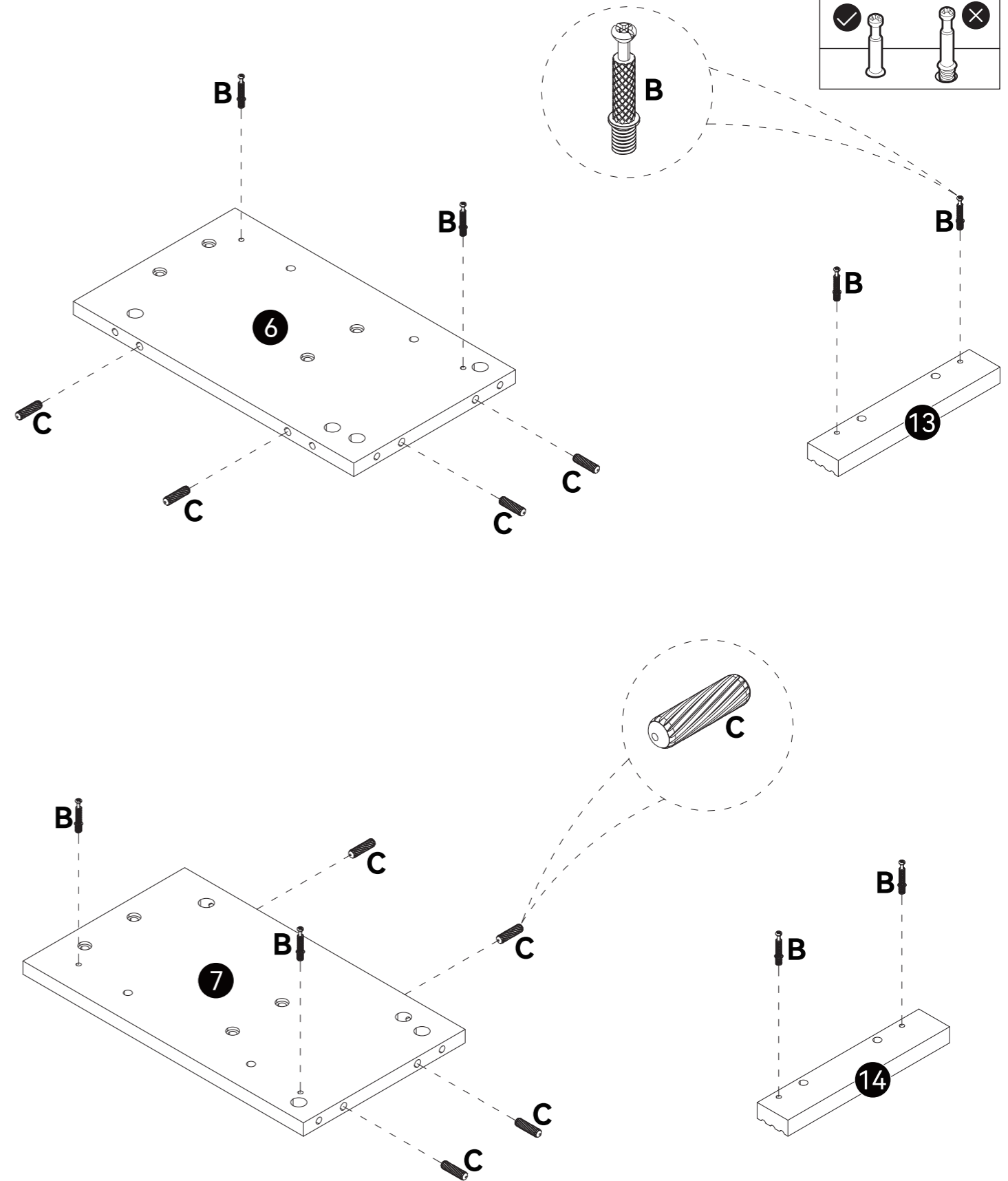
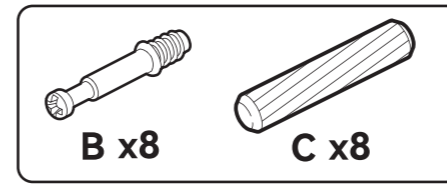
7



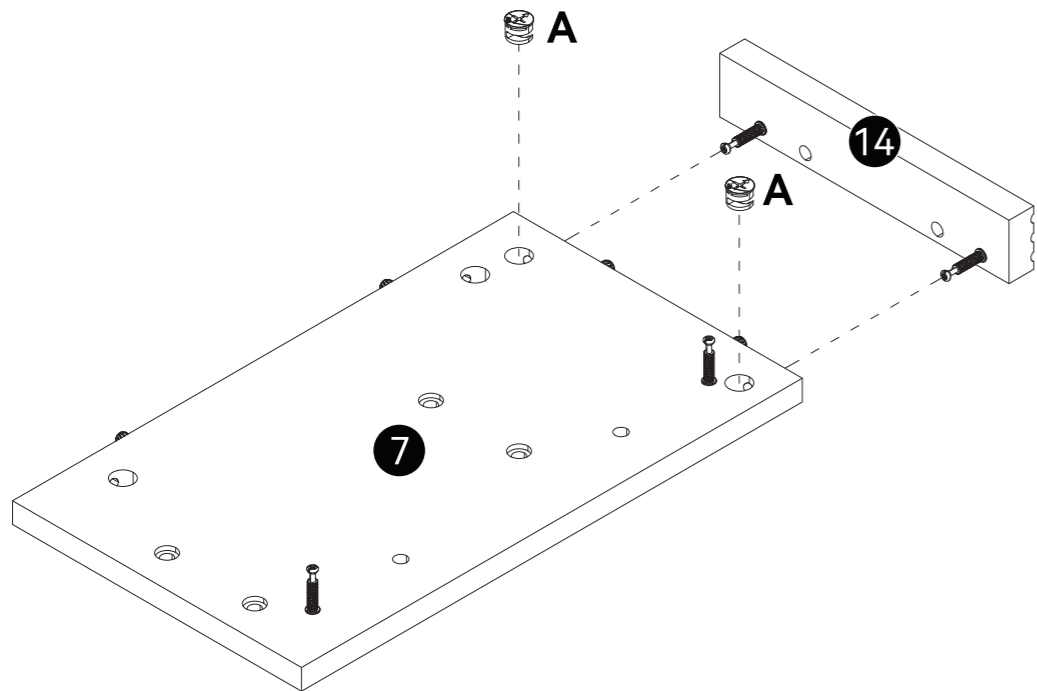
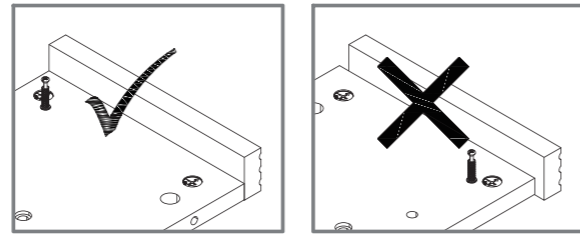
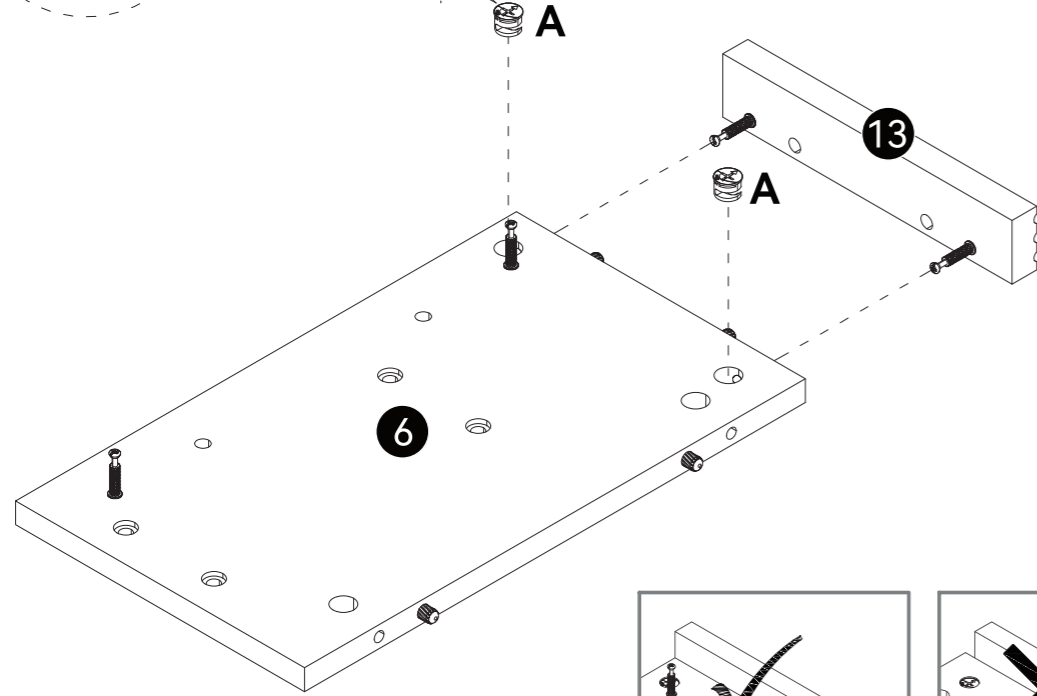
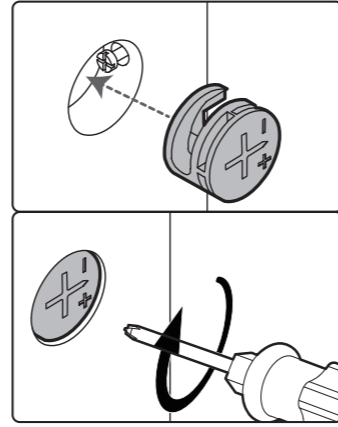
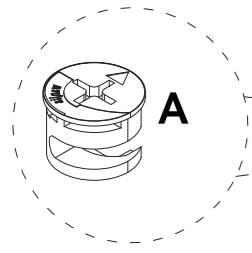
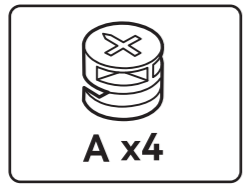
8



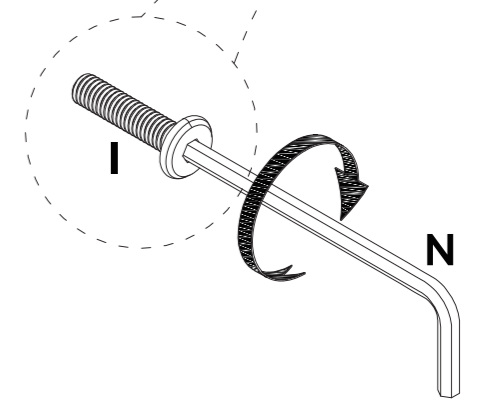
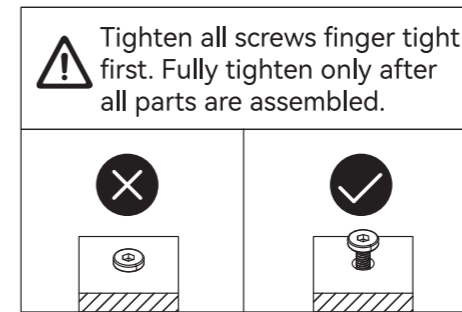
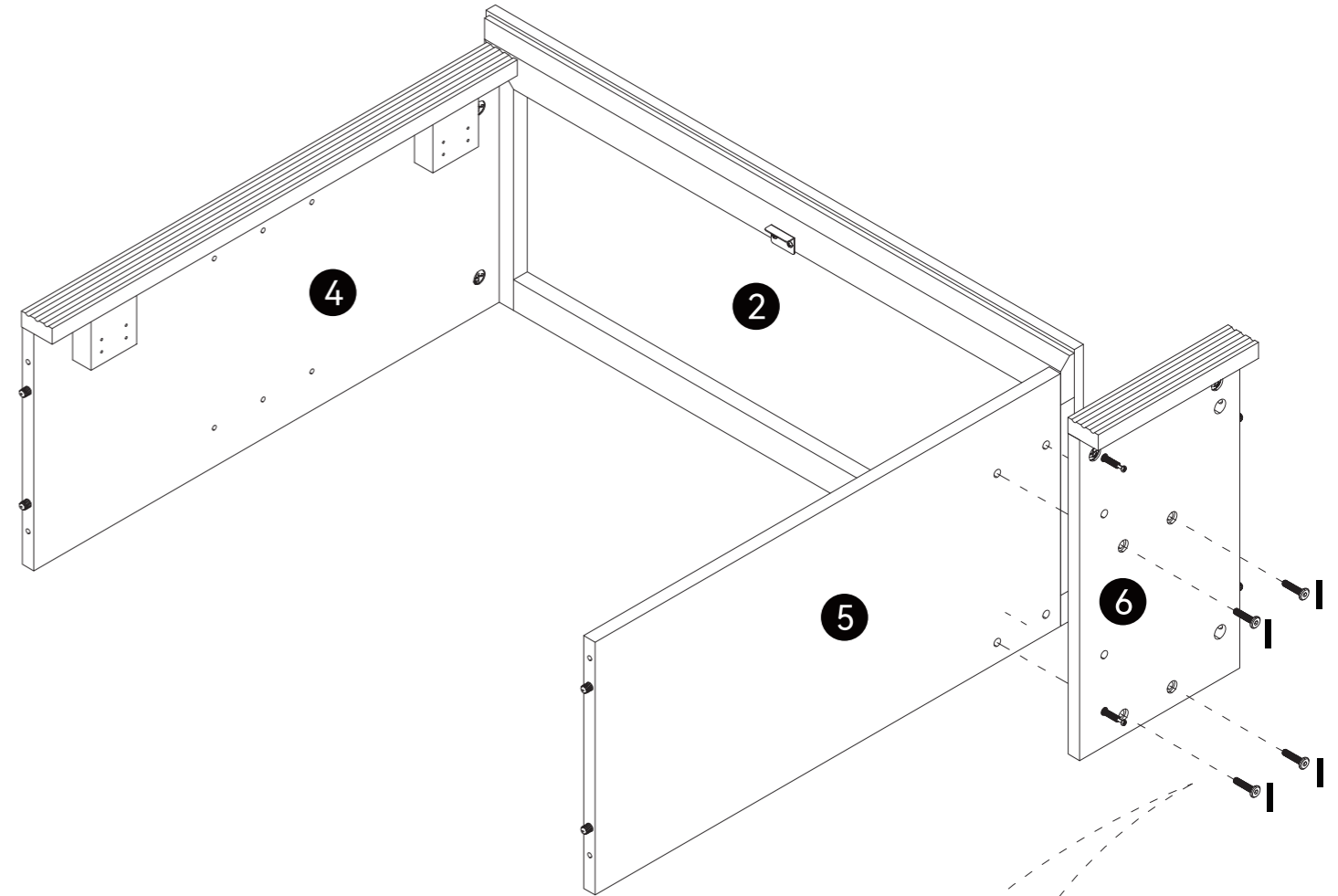
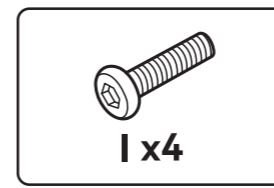
9



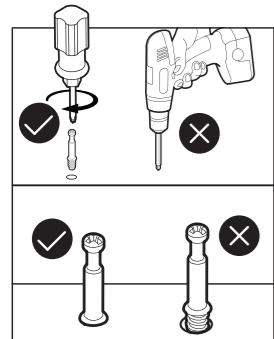
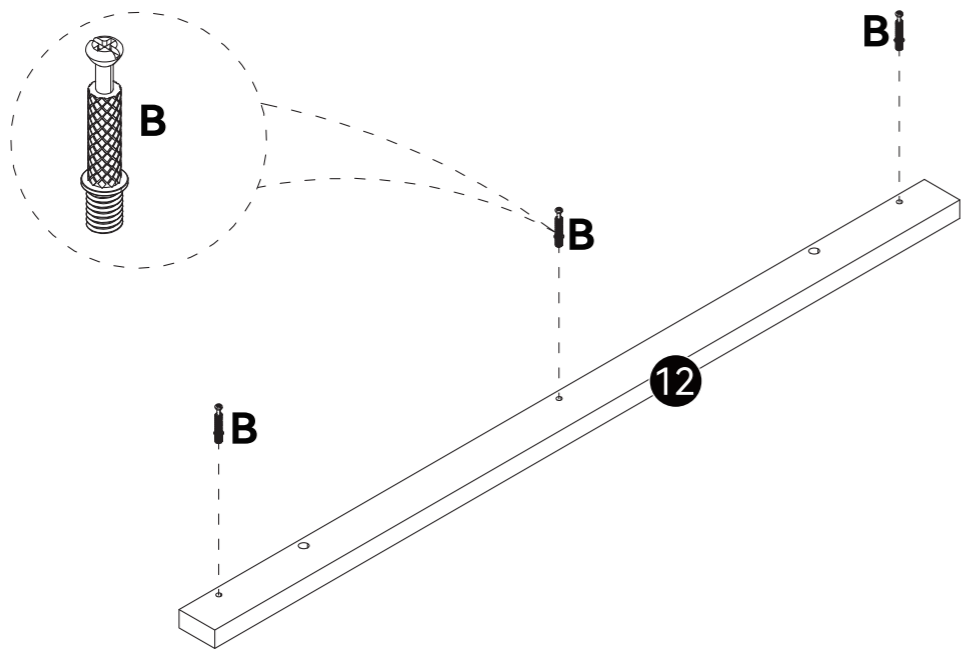
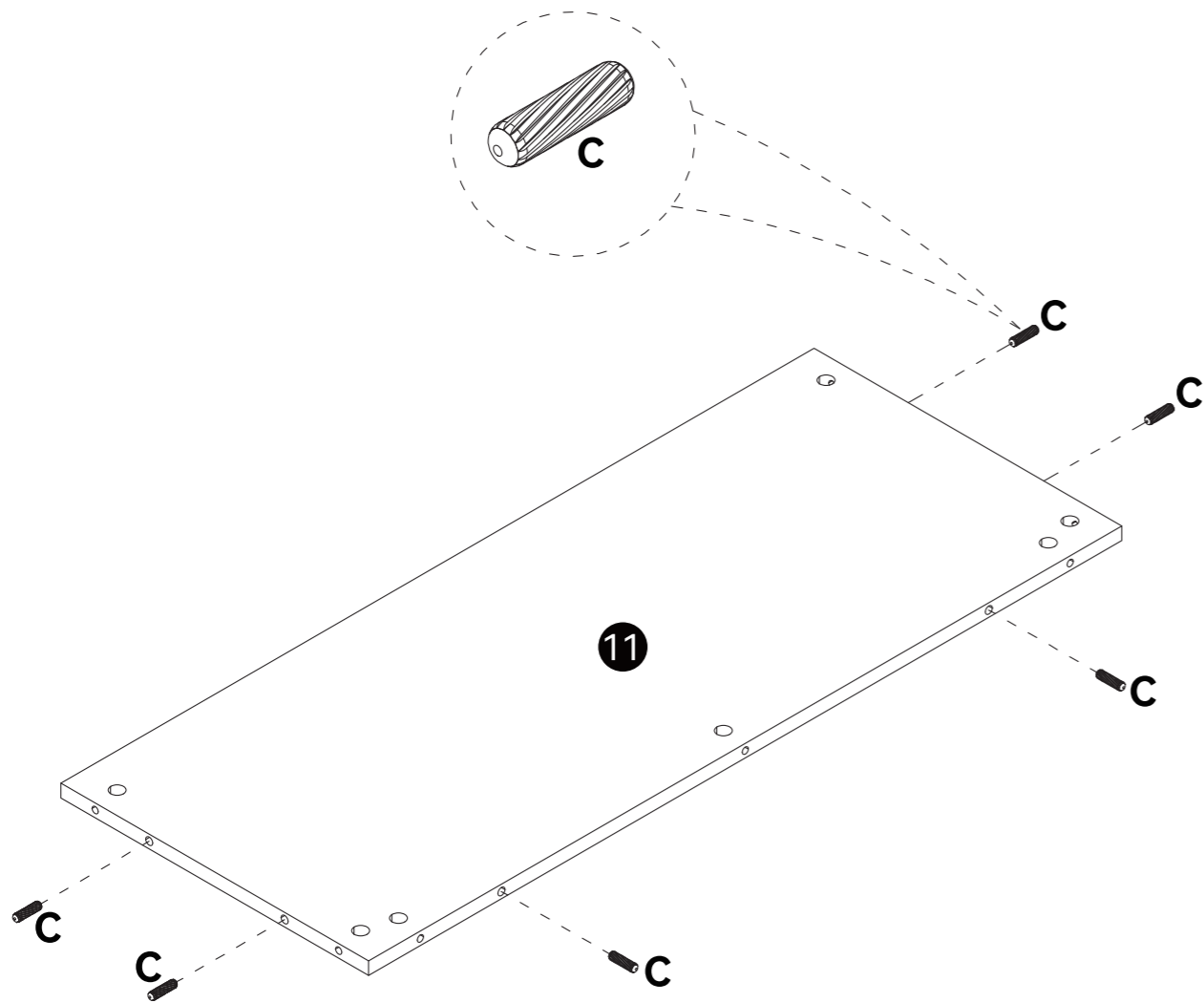
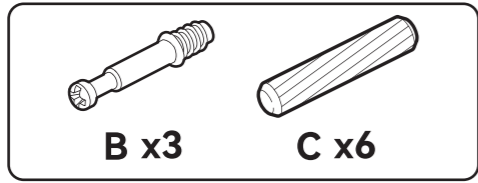
10



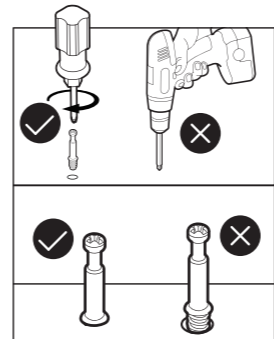
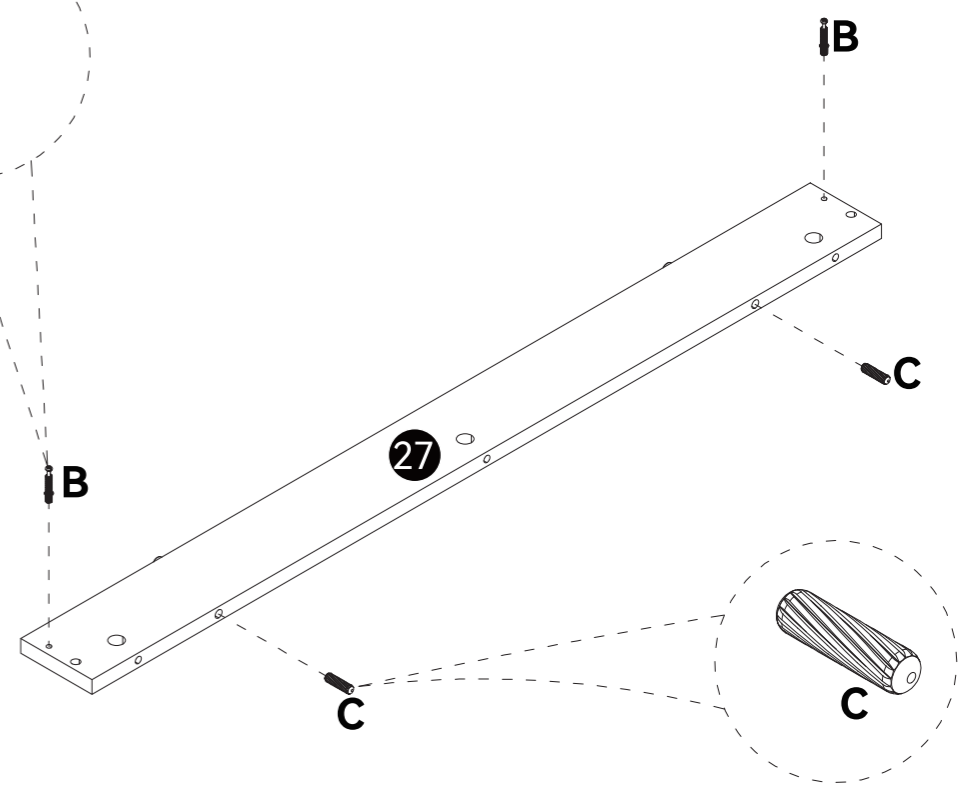
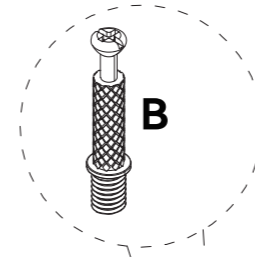
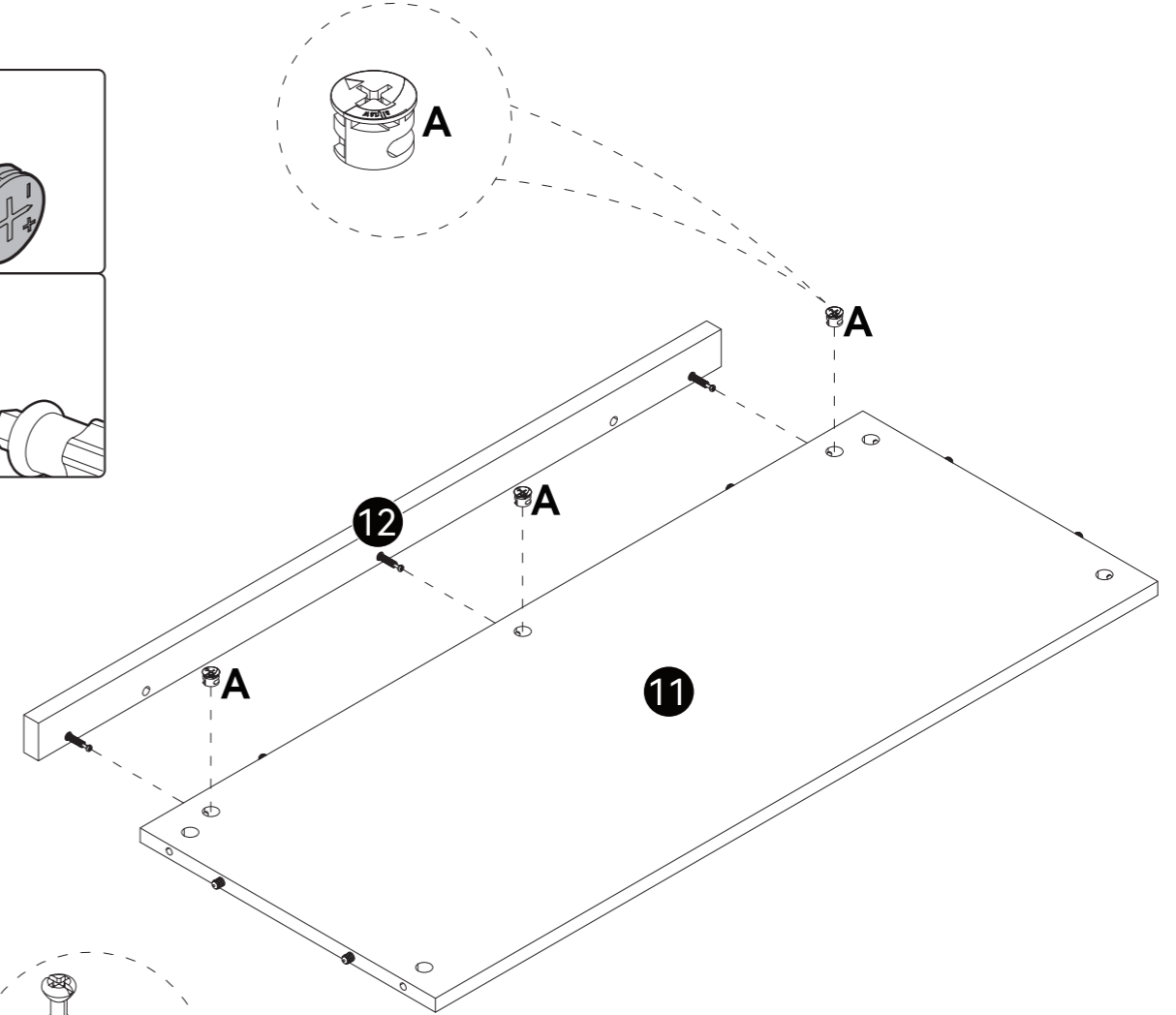
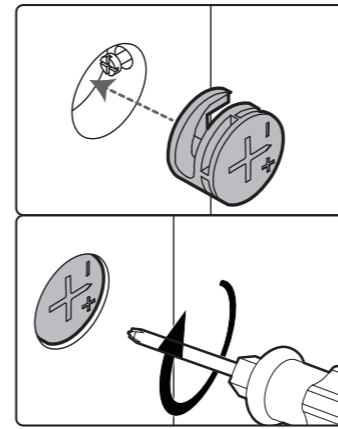
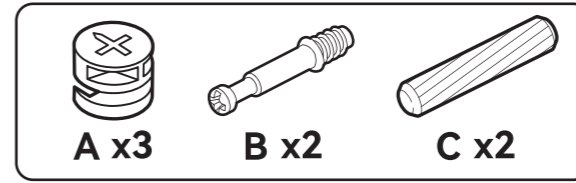
11



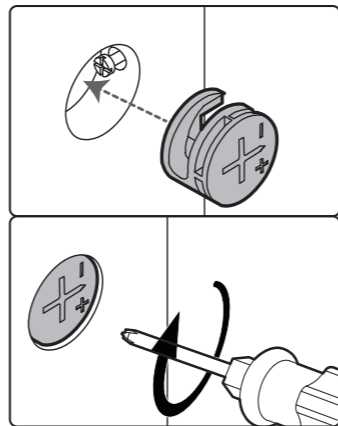
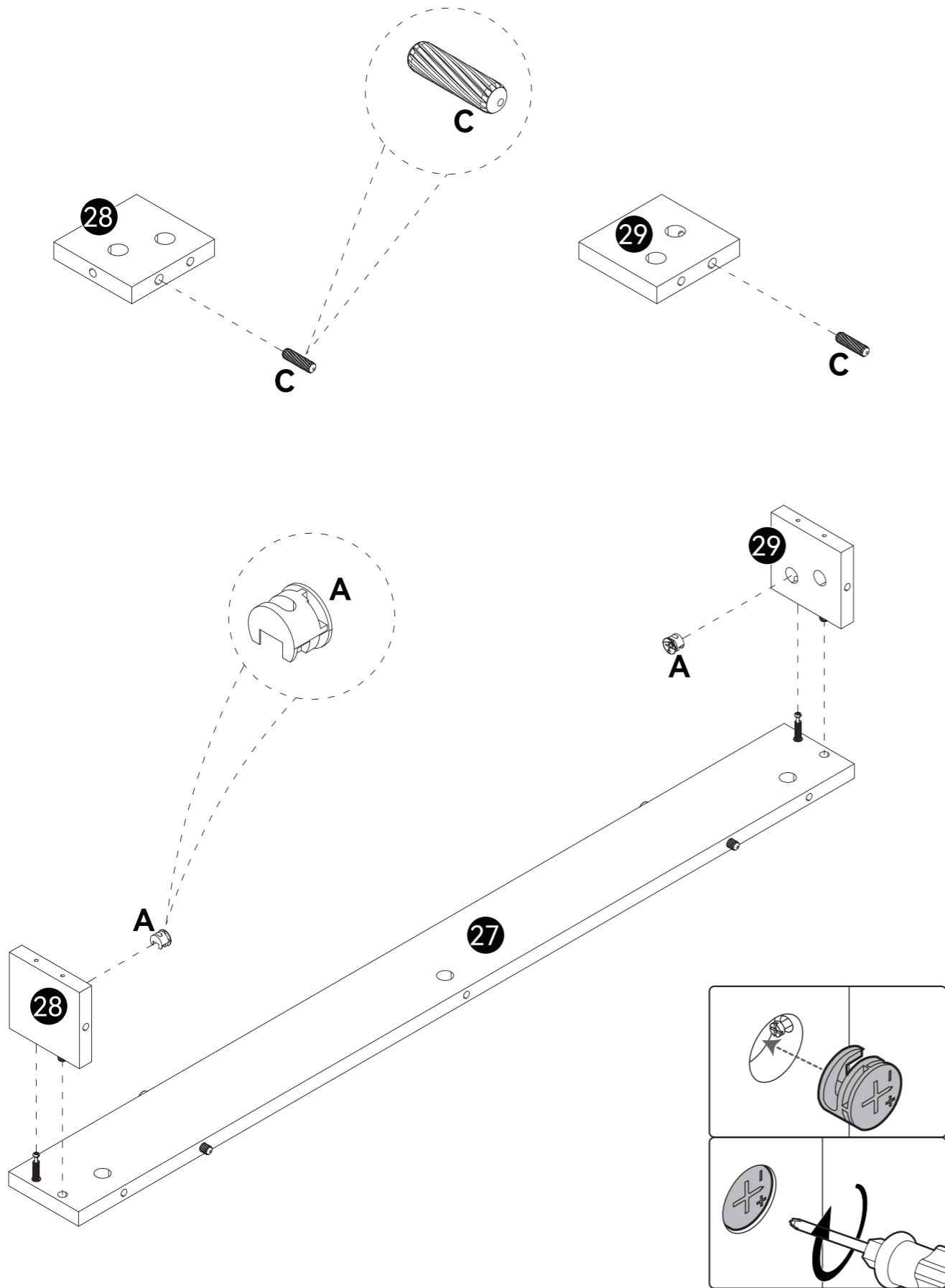
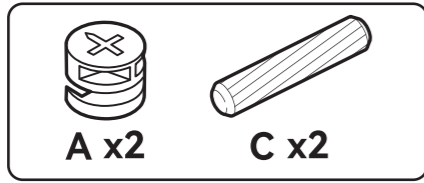
16



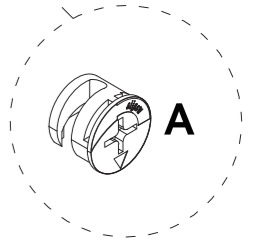
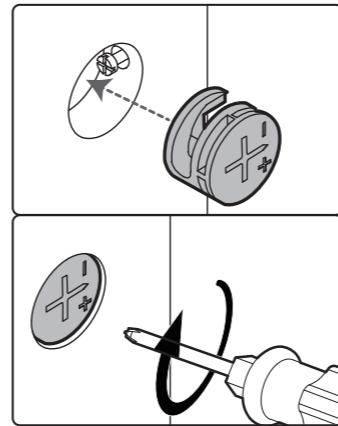
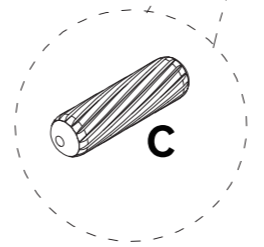
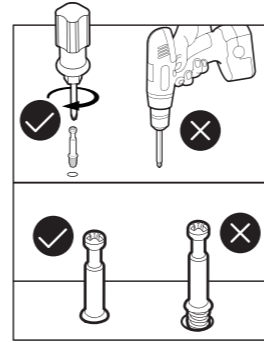
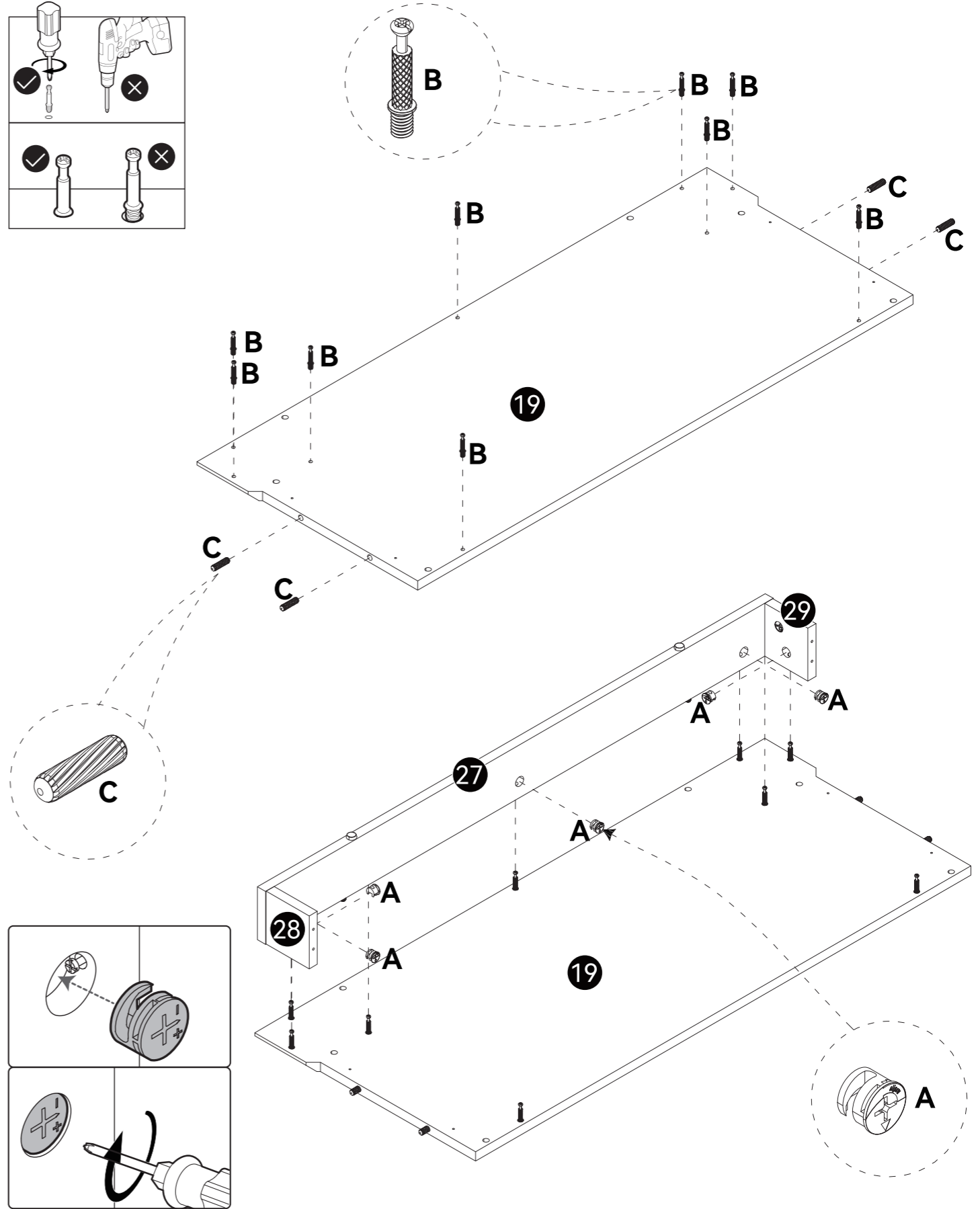
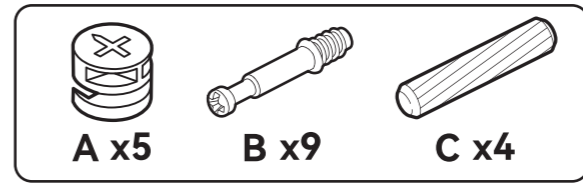
17



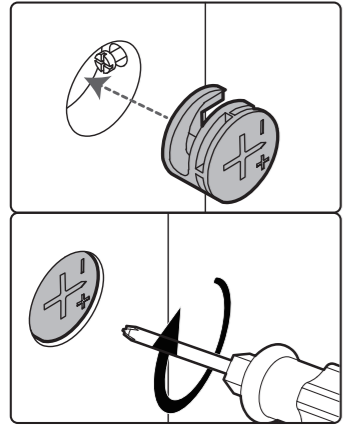
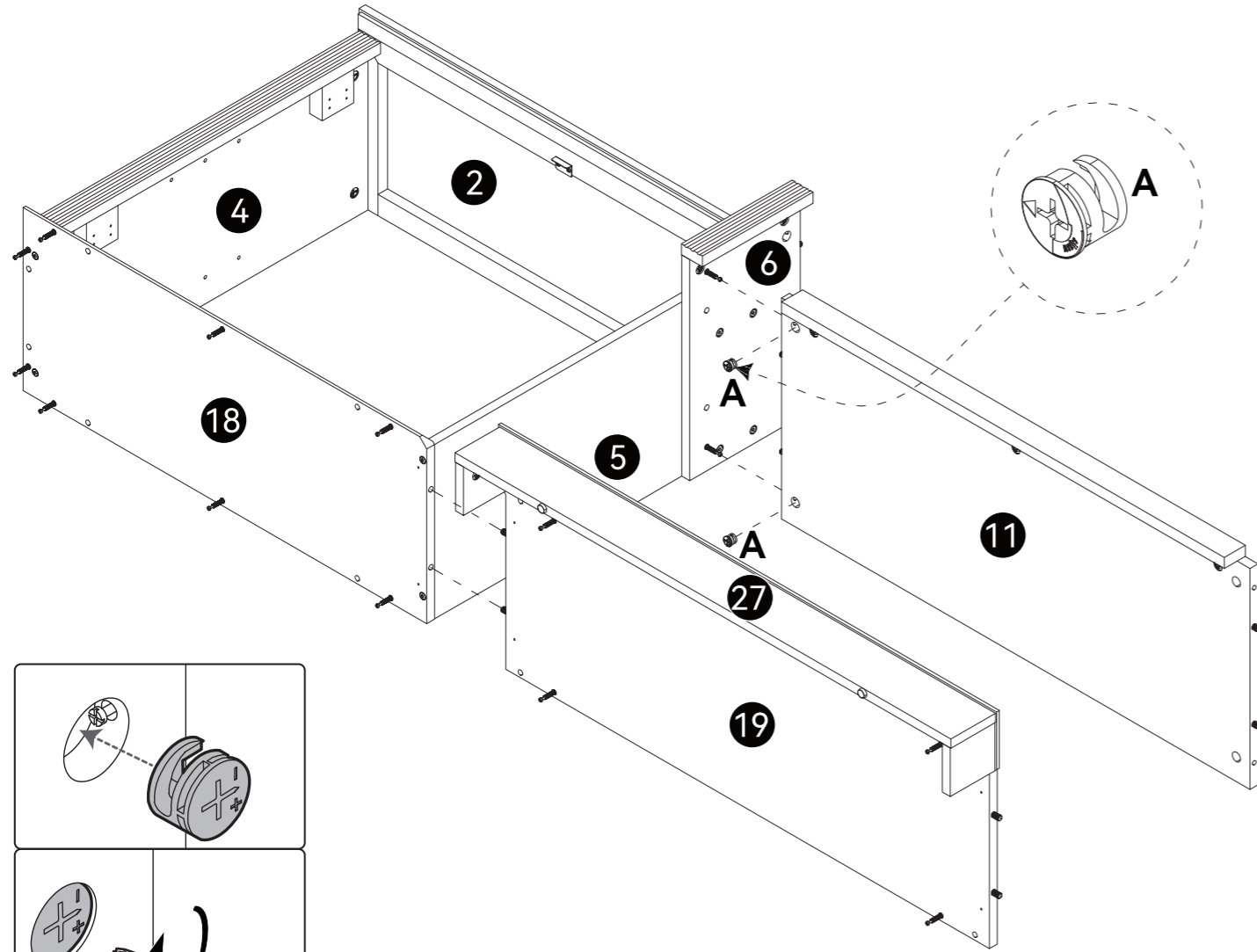
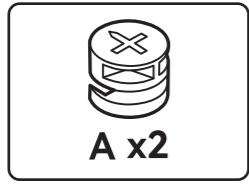
18



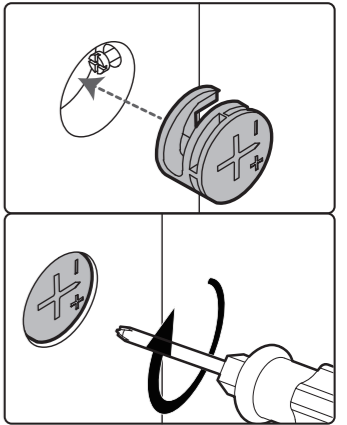
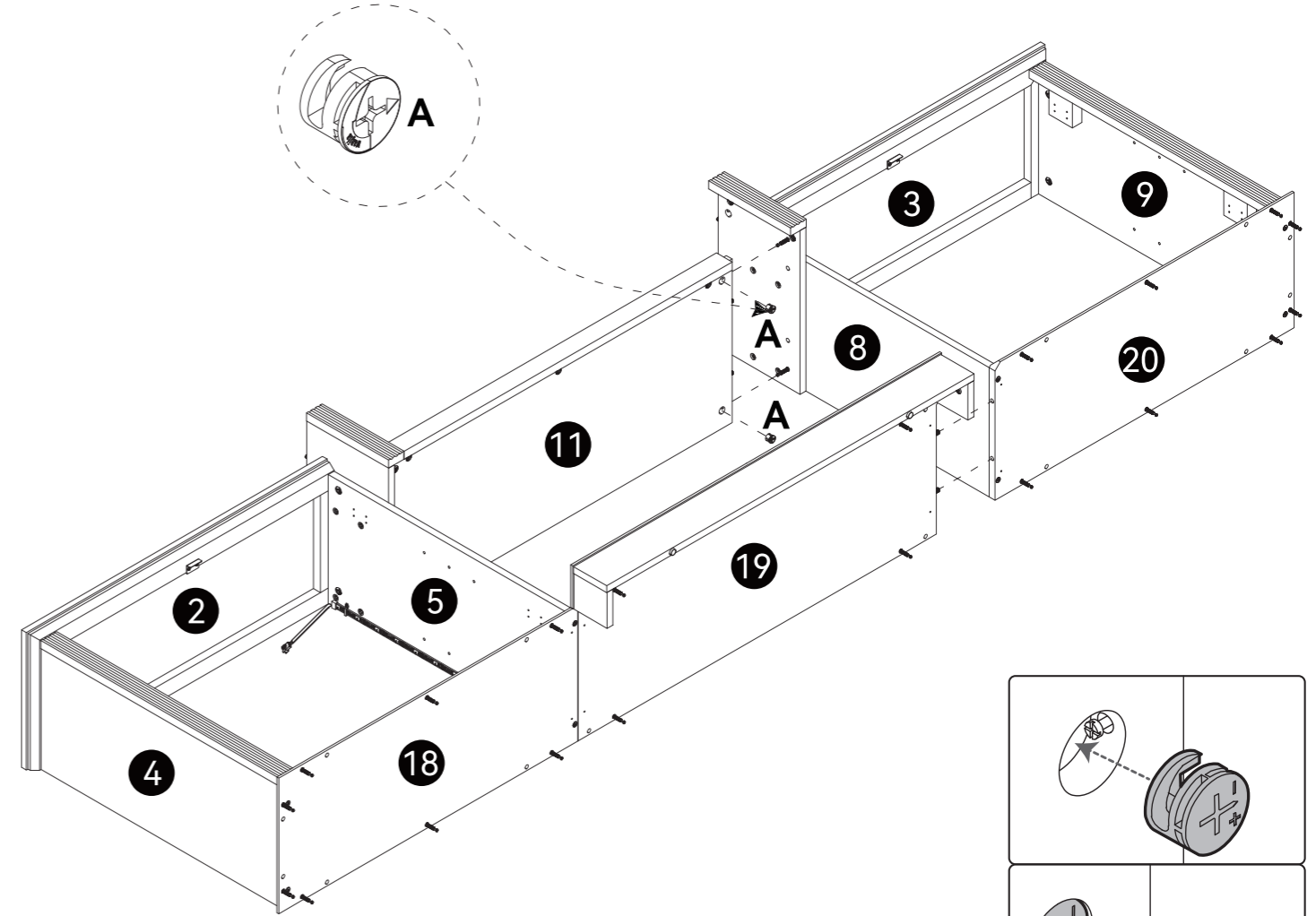
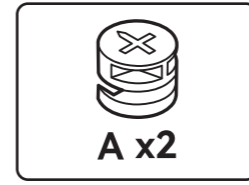
19



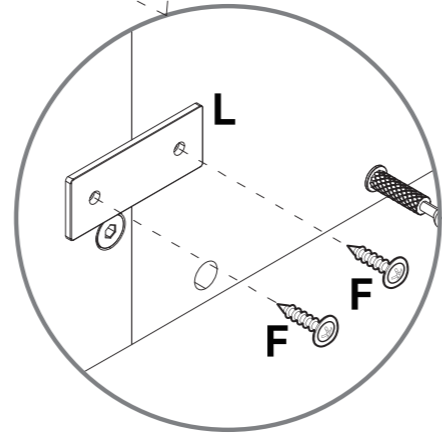
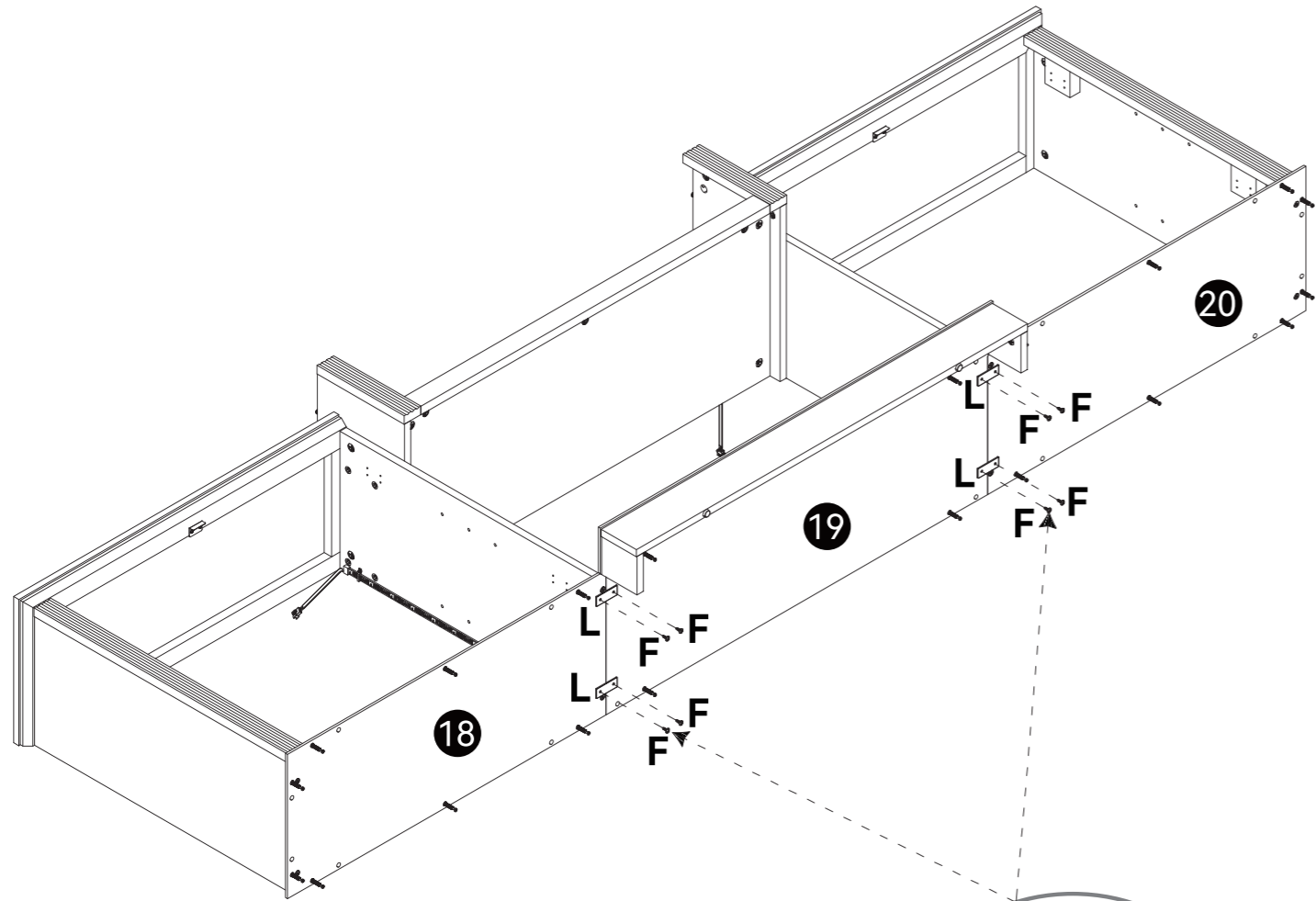
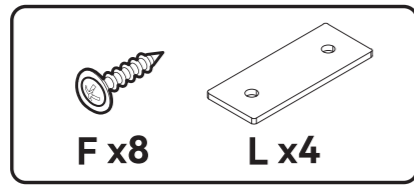
20



21

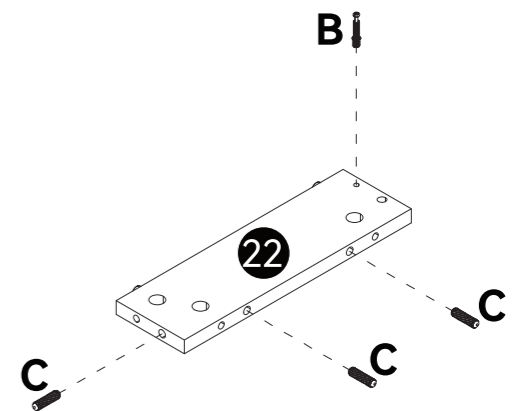
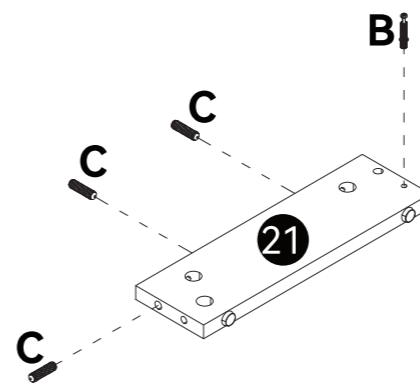
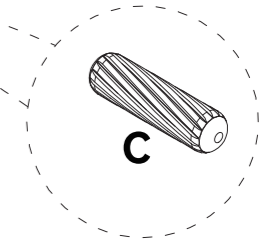
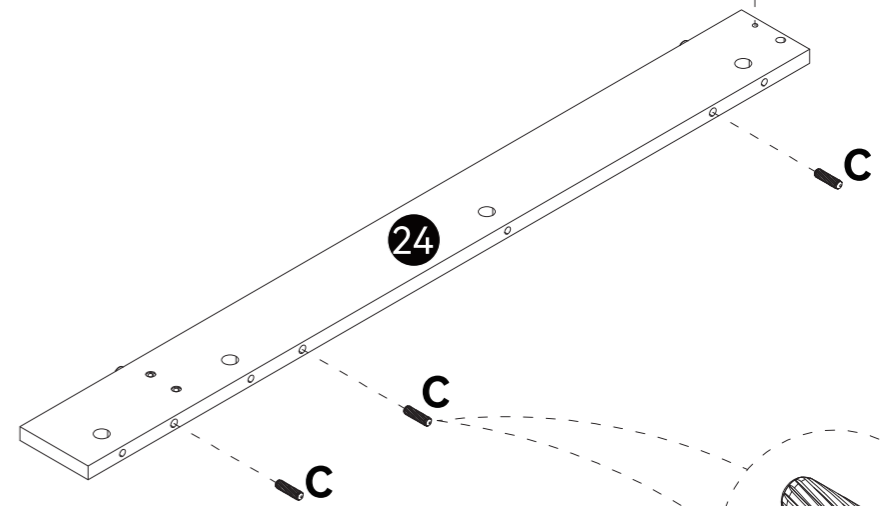
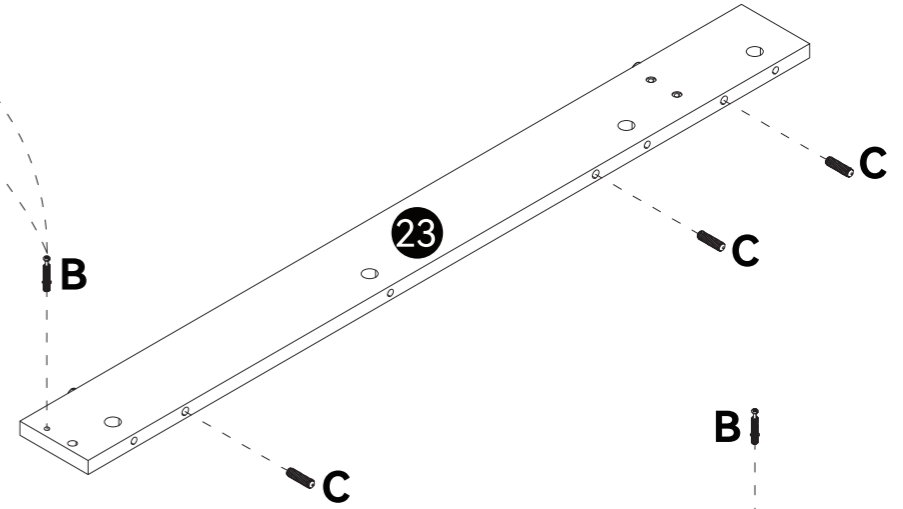
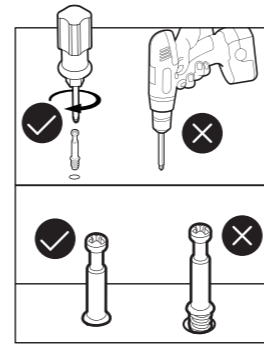
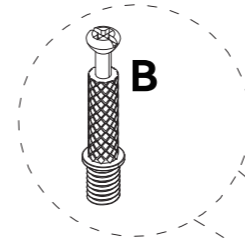
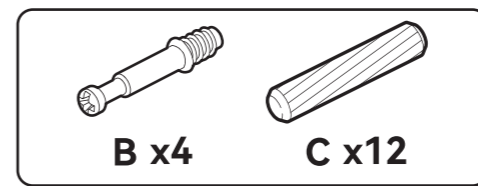


22

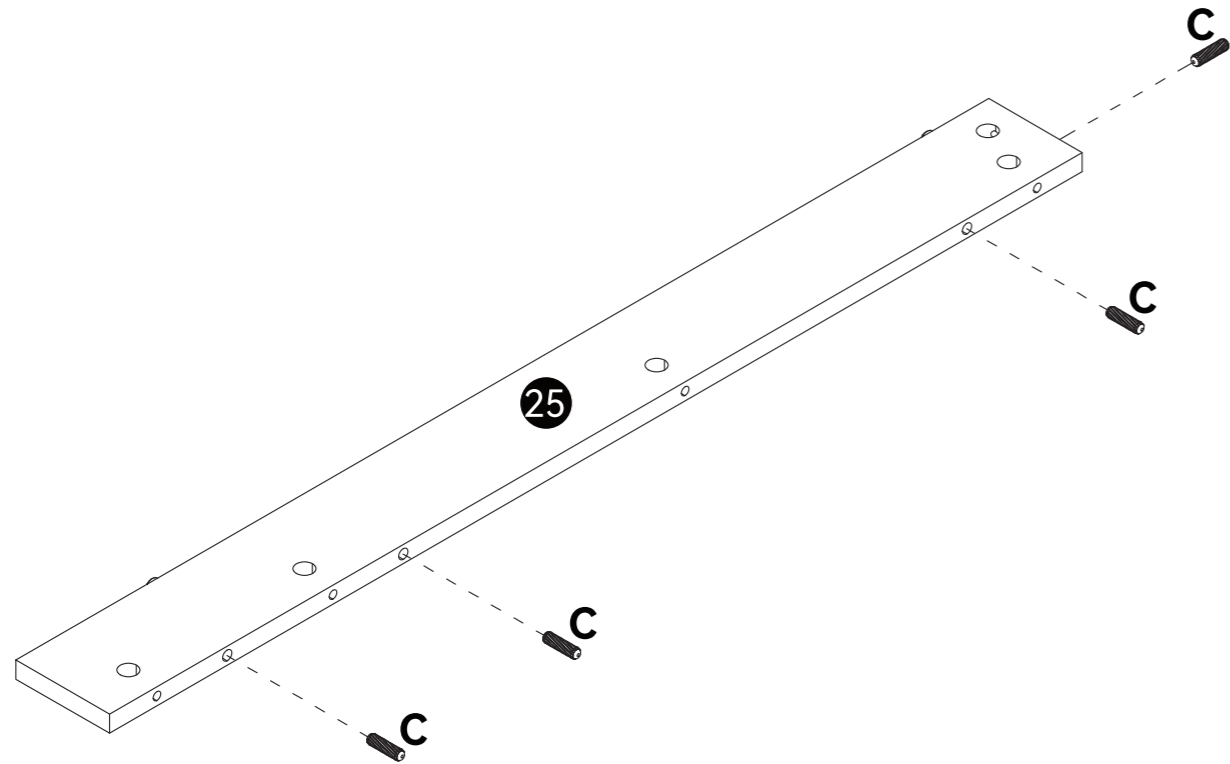
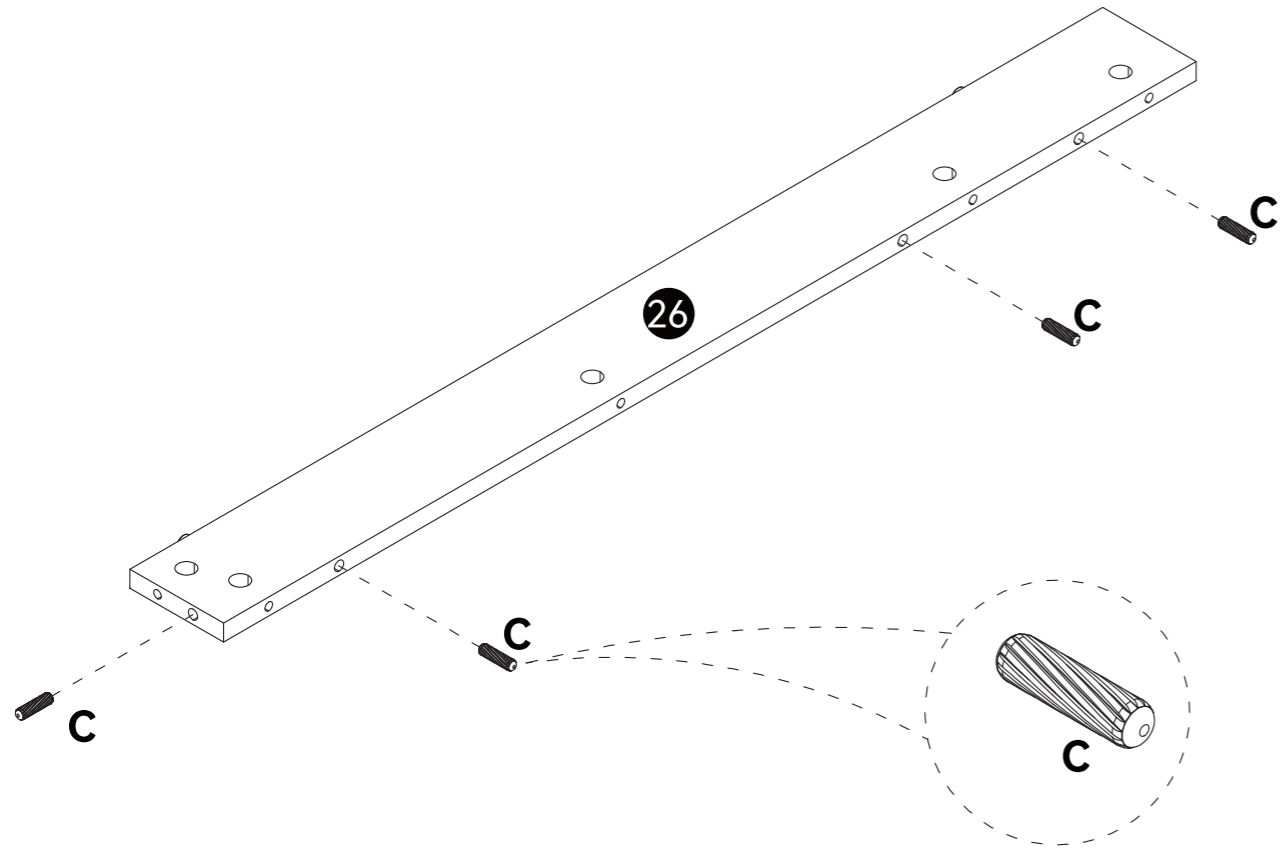
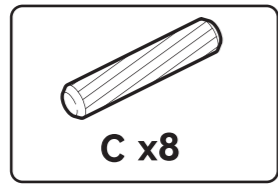


x4

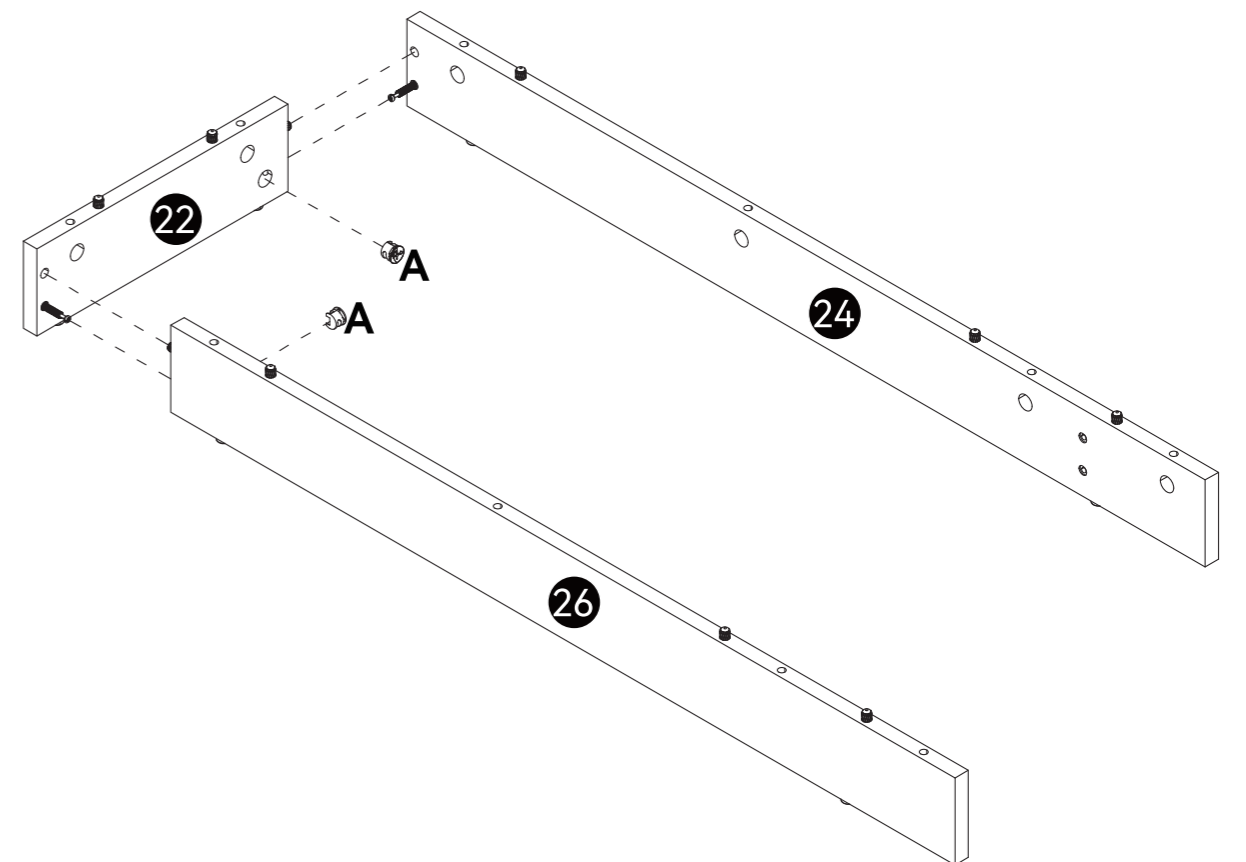
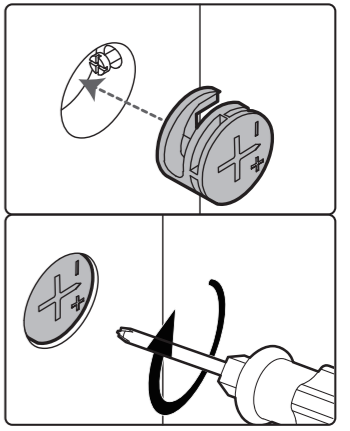
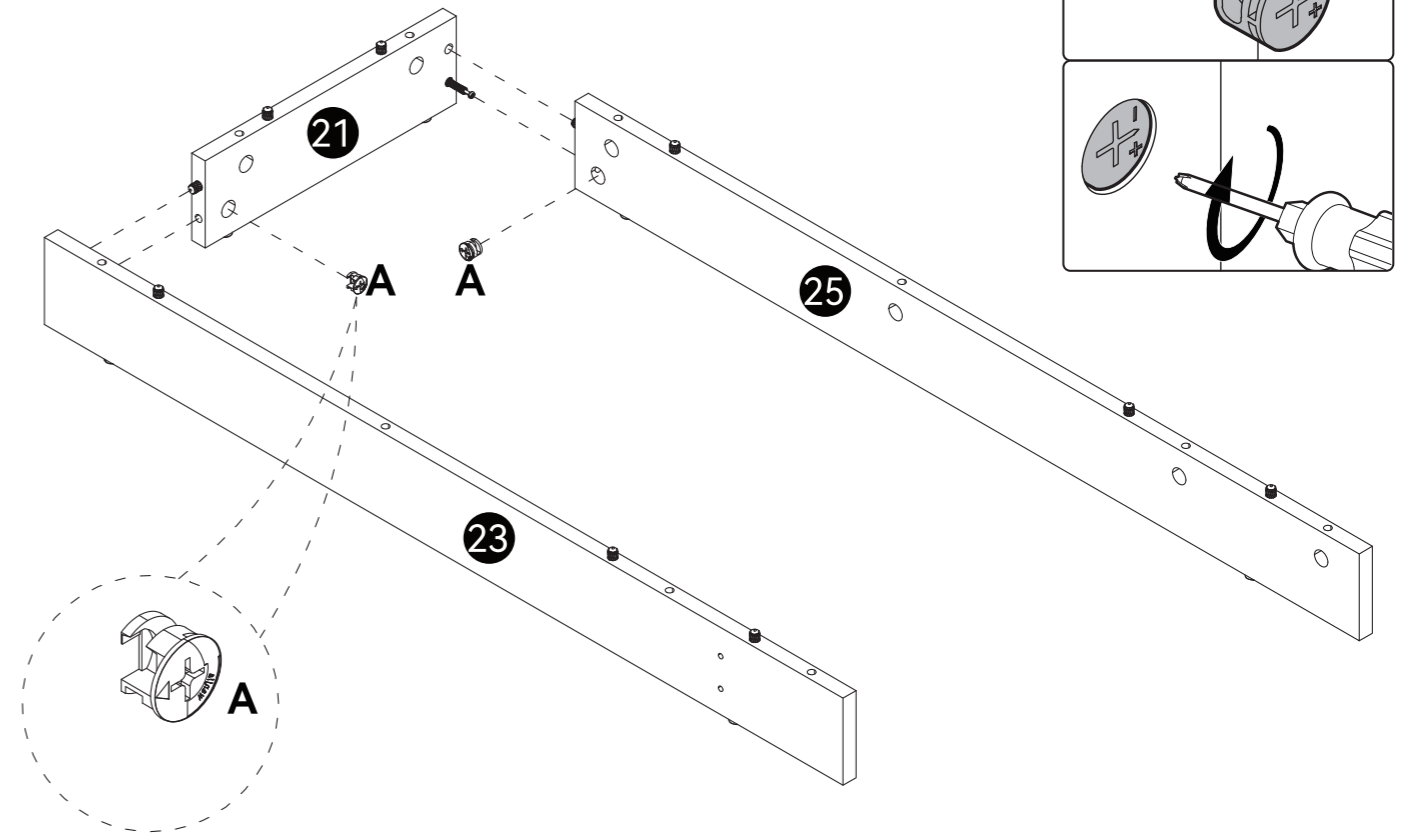
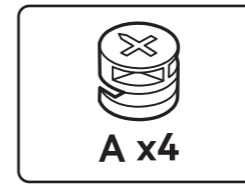
23



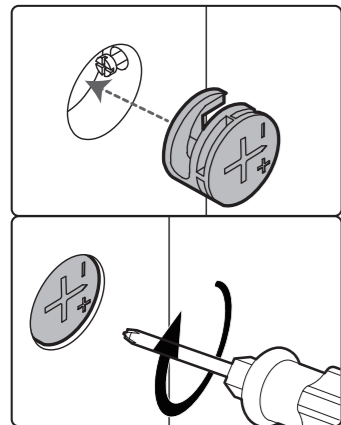
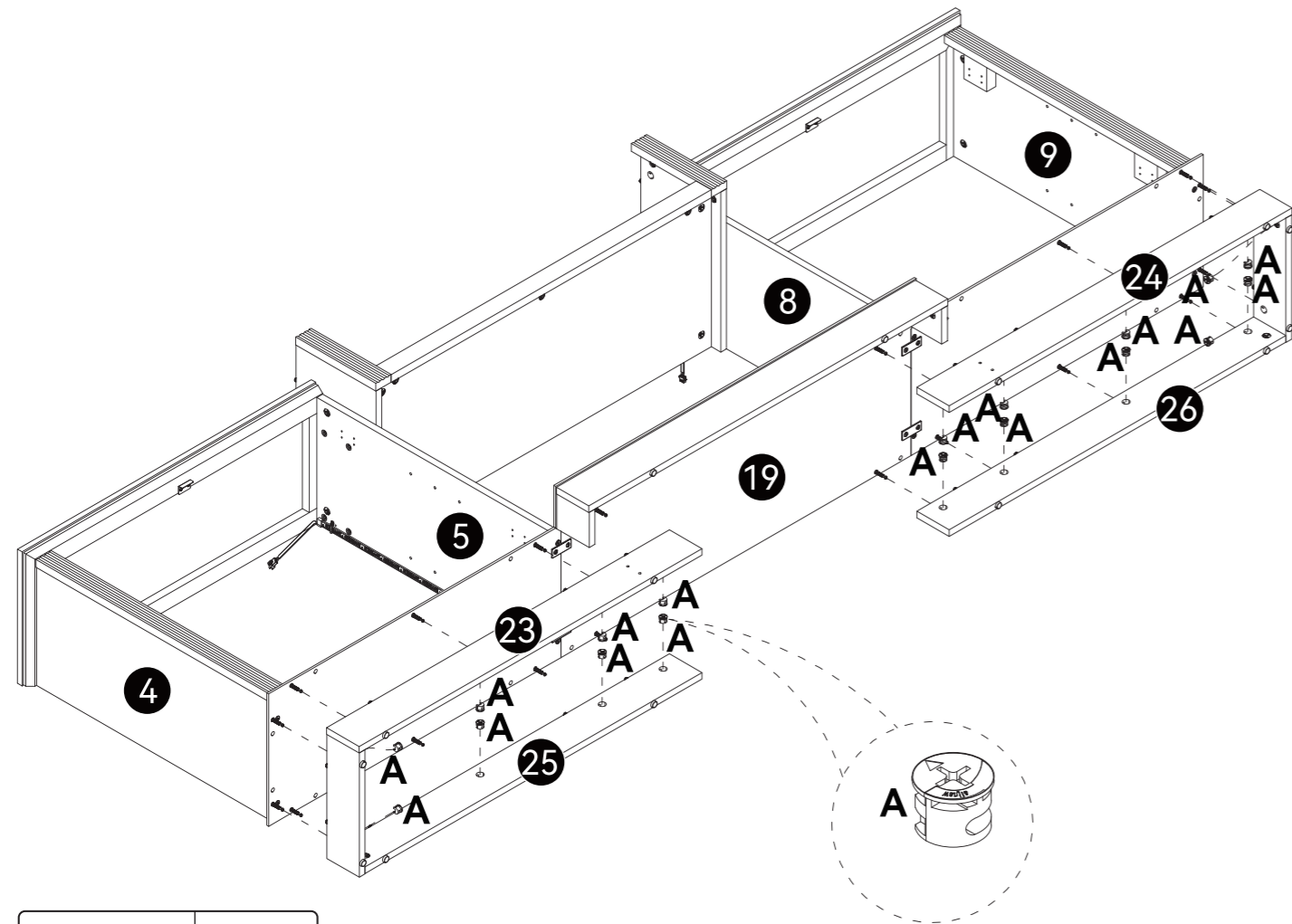
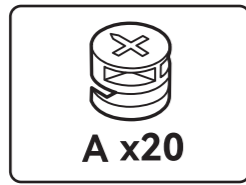
24



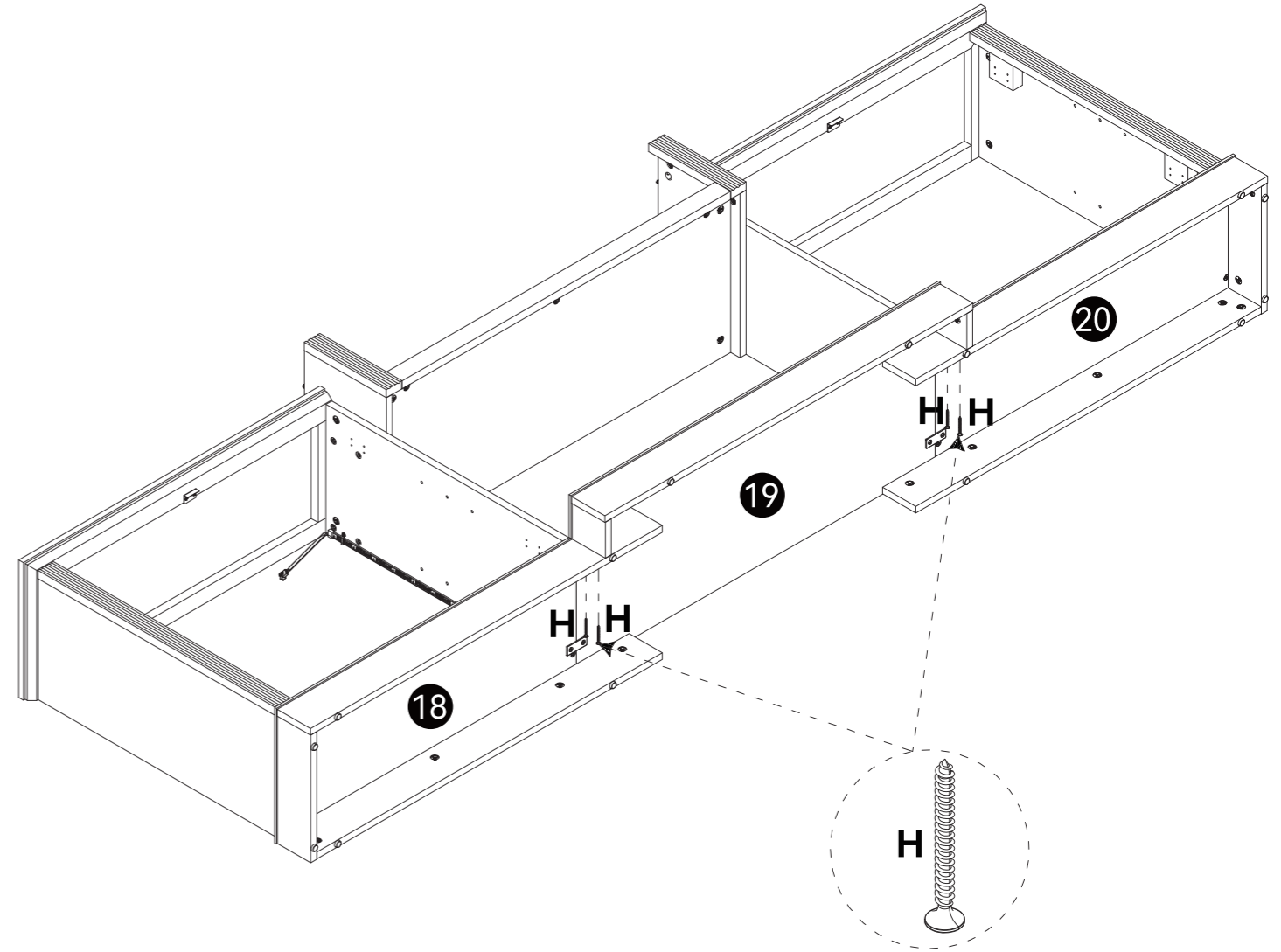
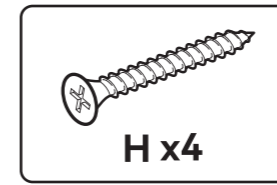
25



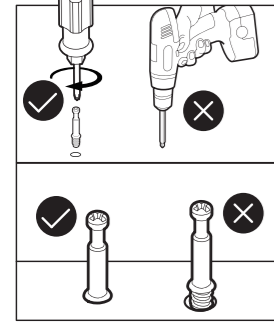
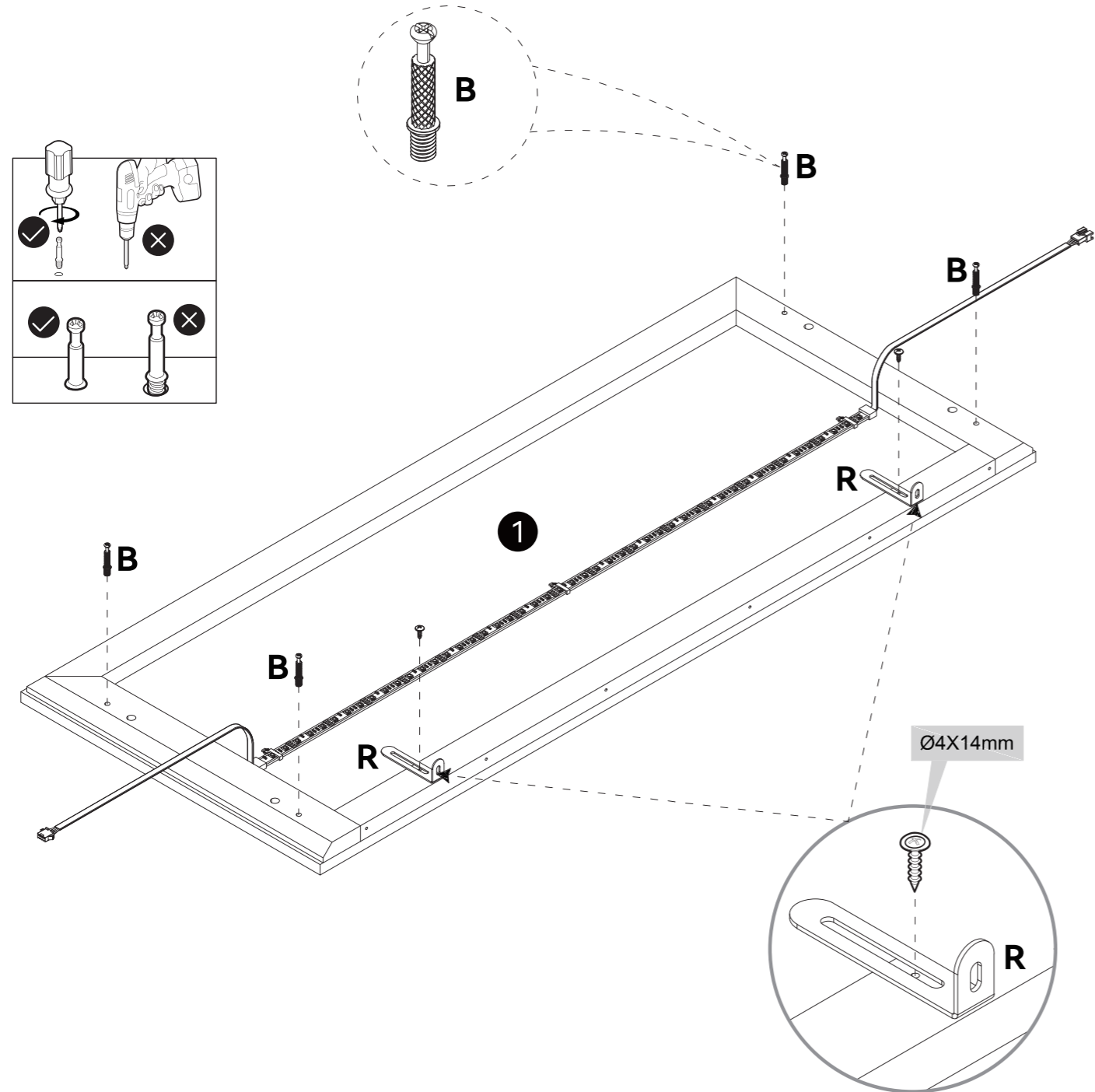
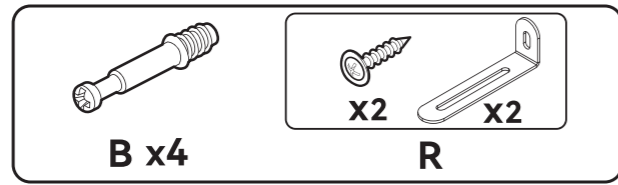
26



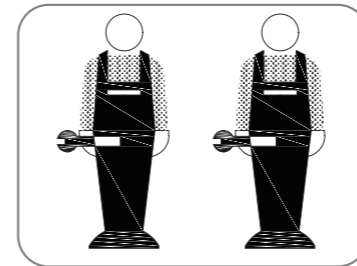
27



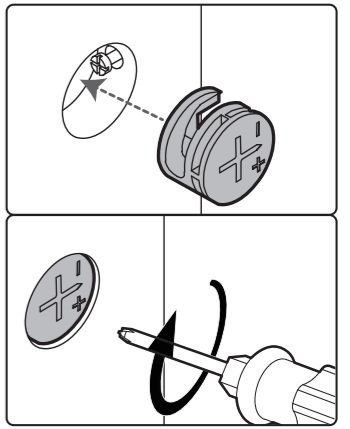
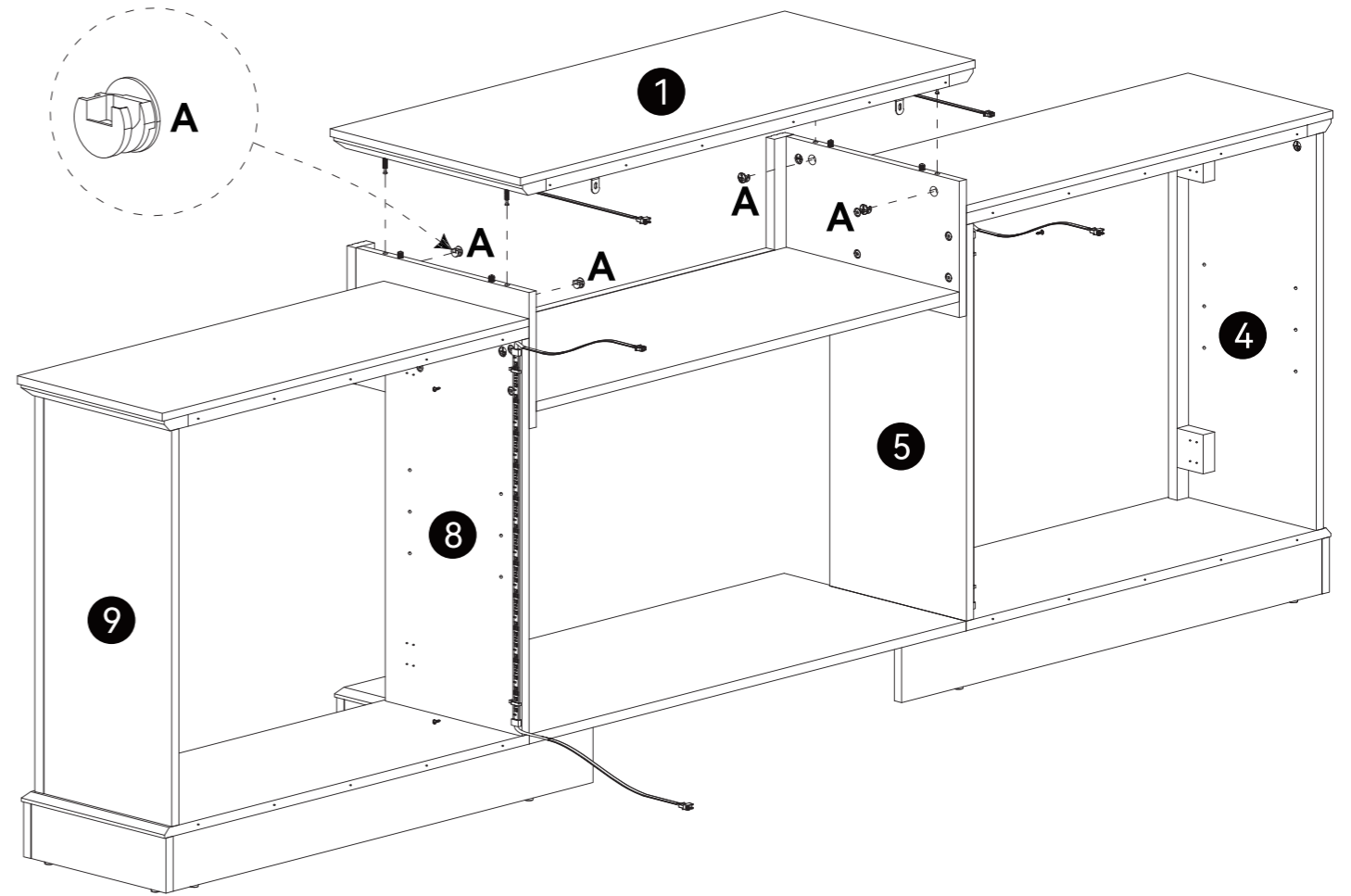
28



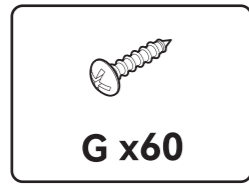
29



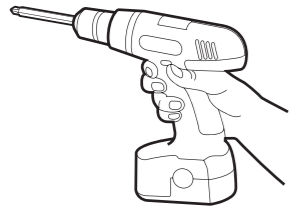
Two people are required for this step.



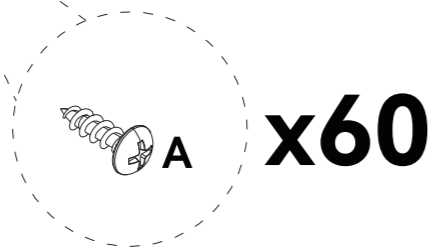
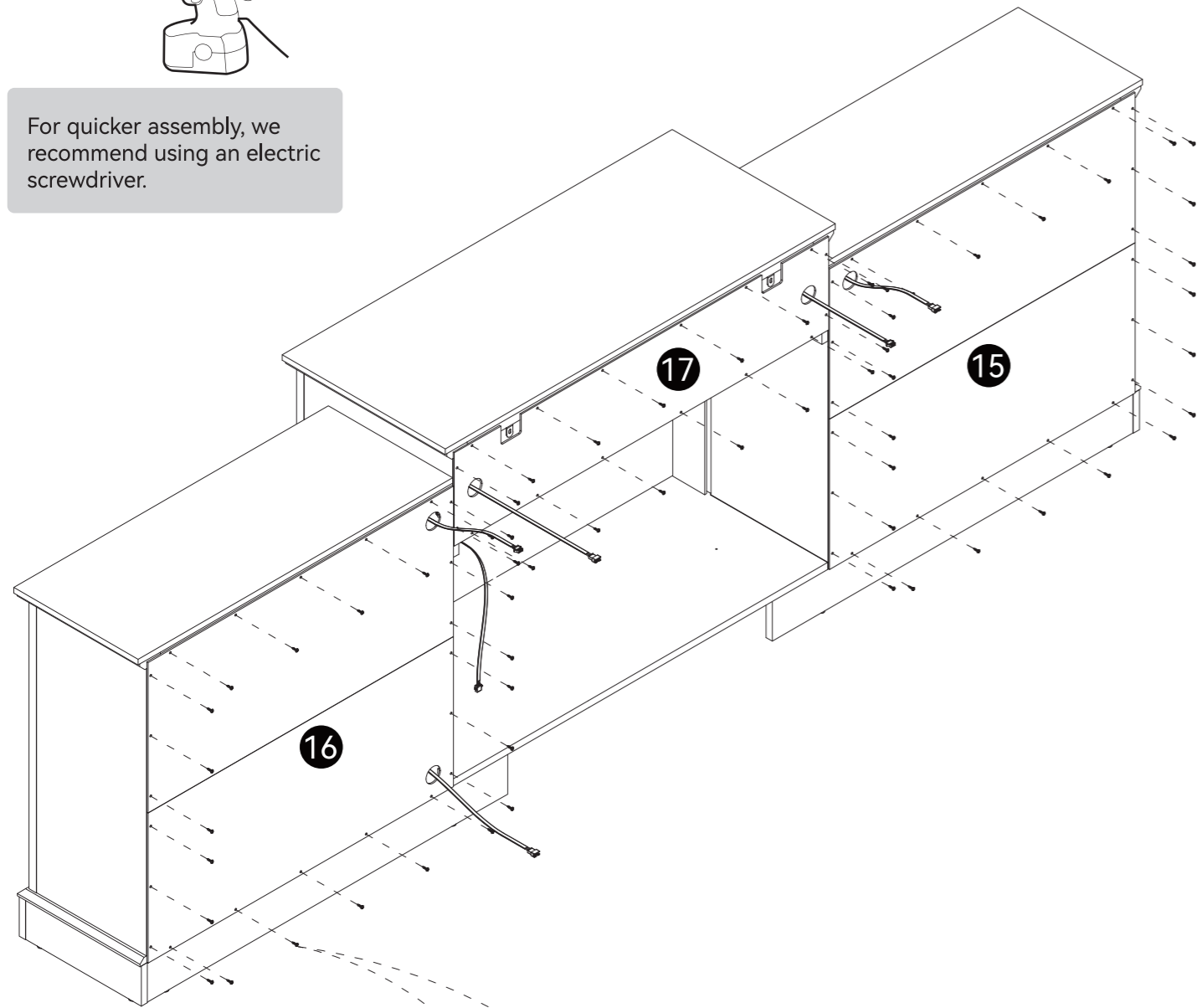
30



G x60

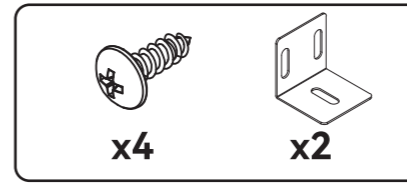


For quicker assembly, we recommend using an electric screwdriver.



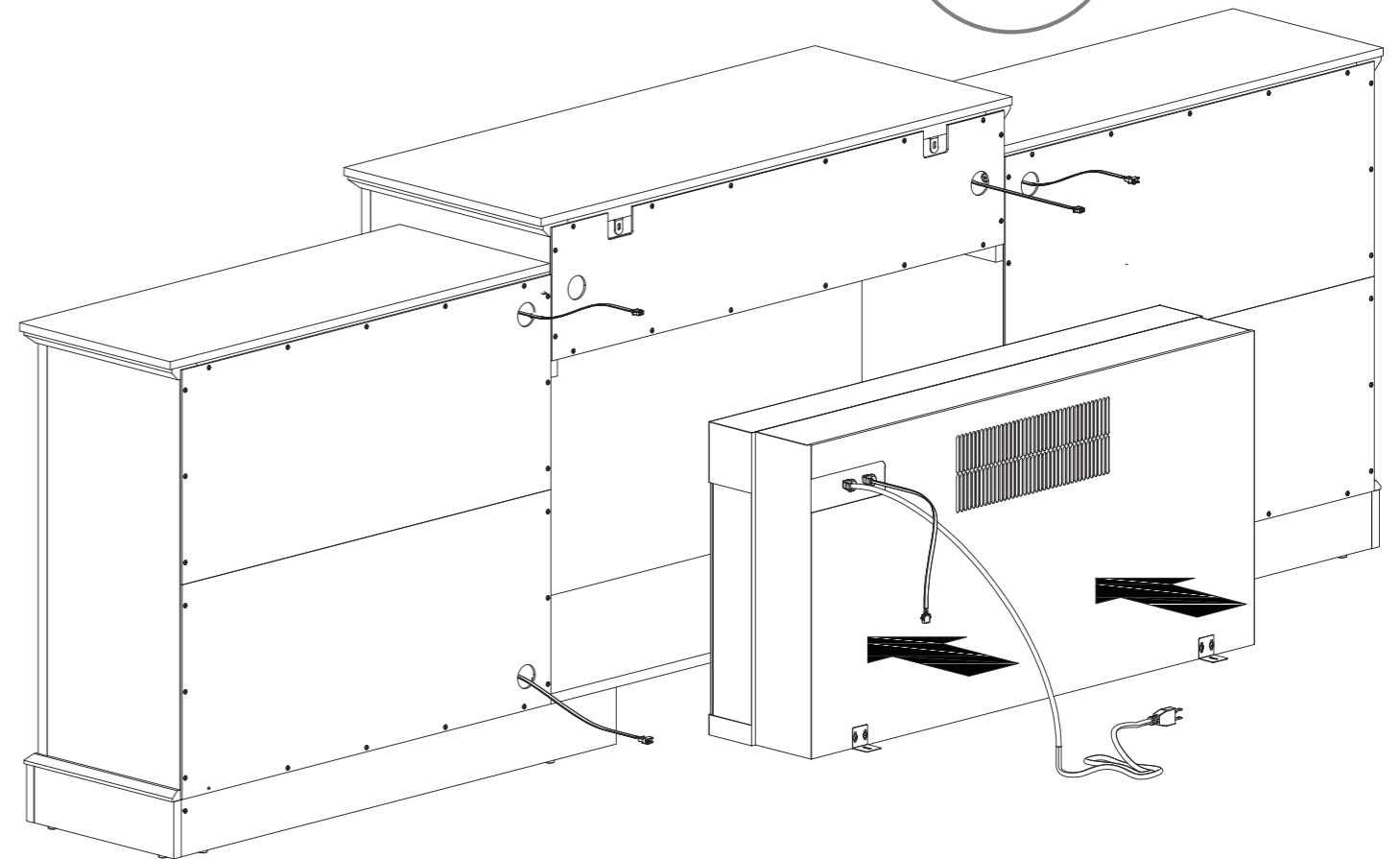
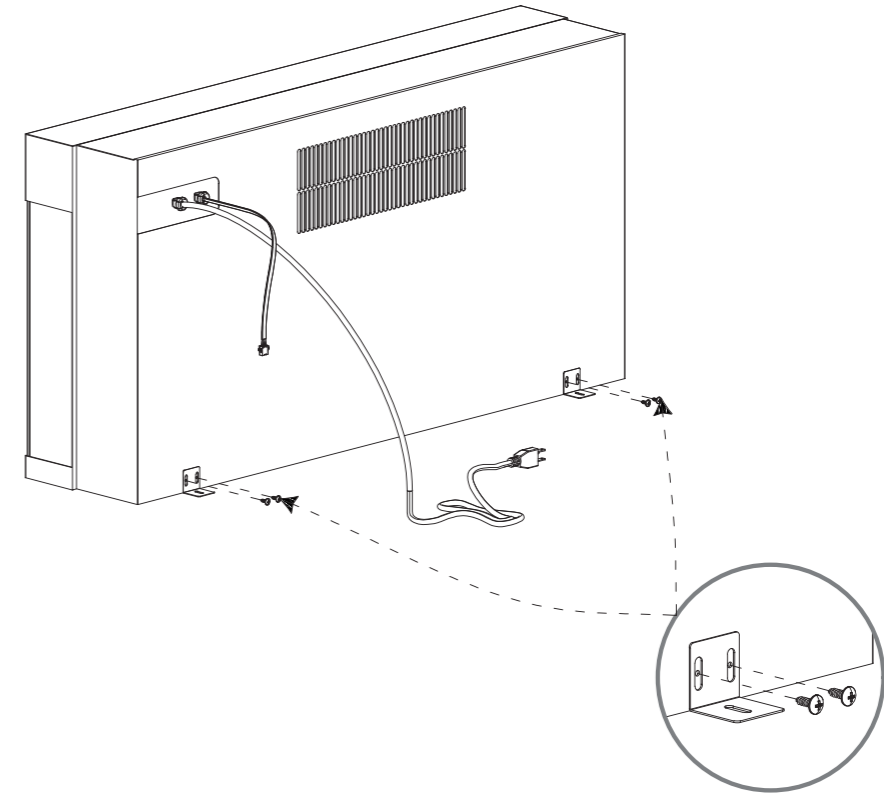
x60

31

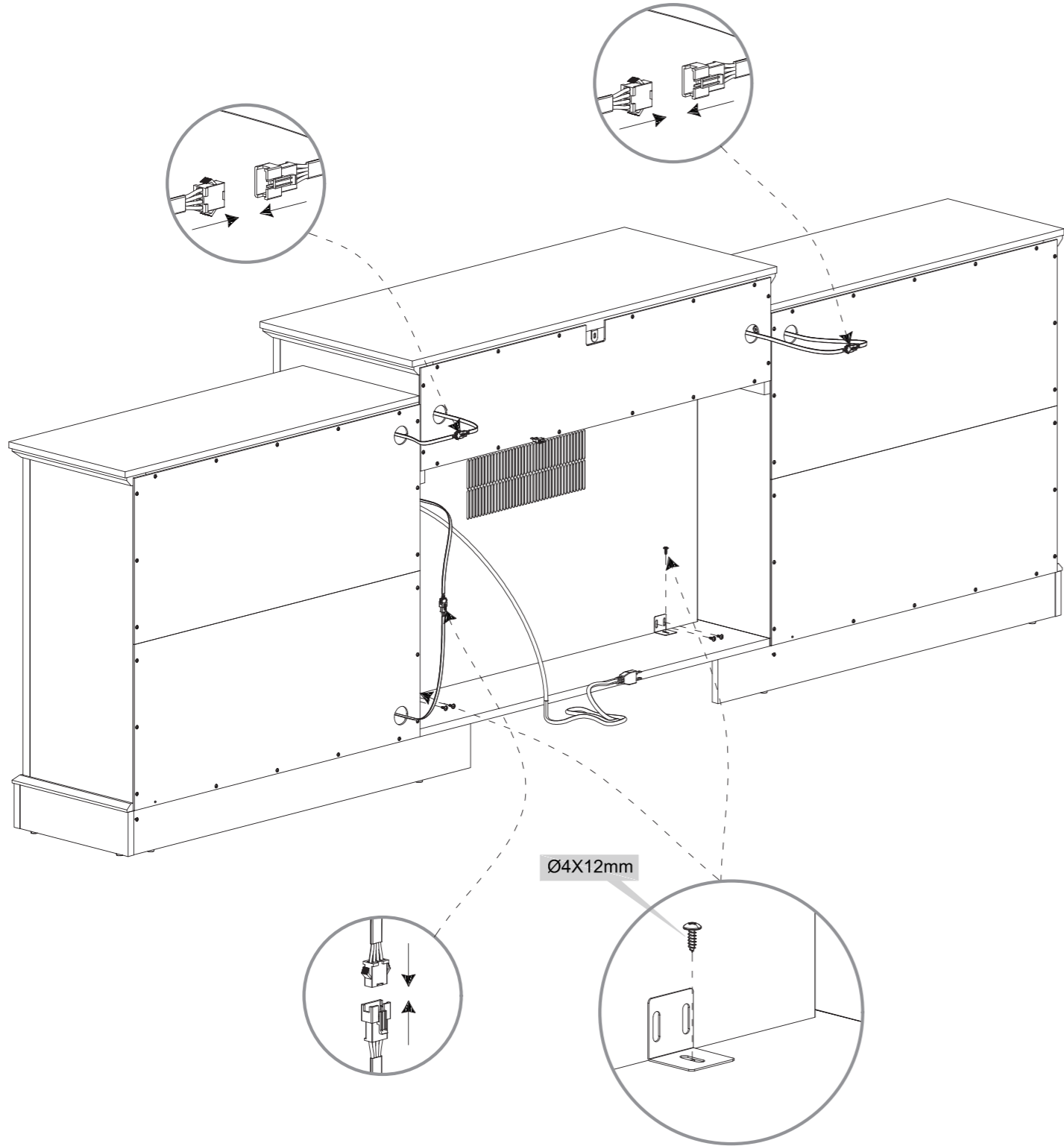
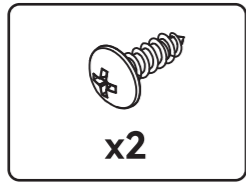


x4

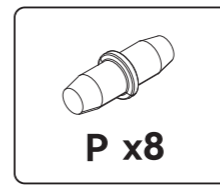
x2



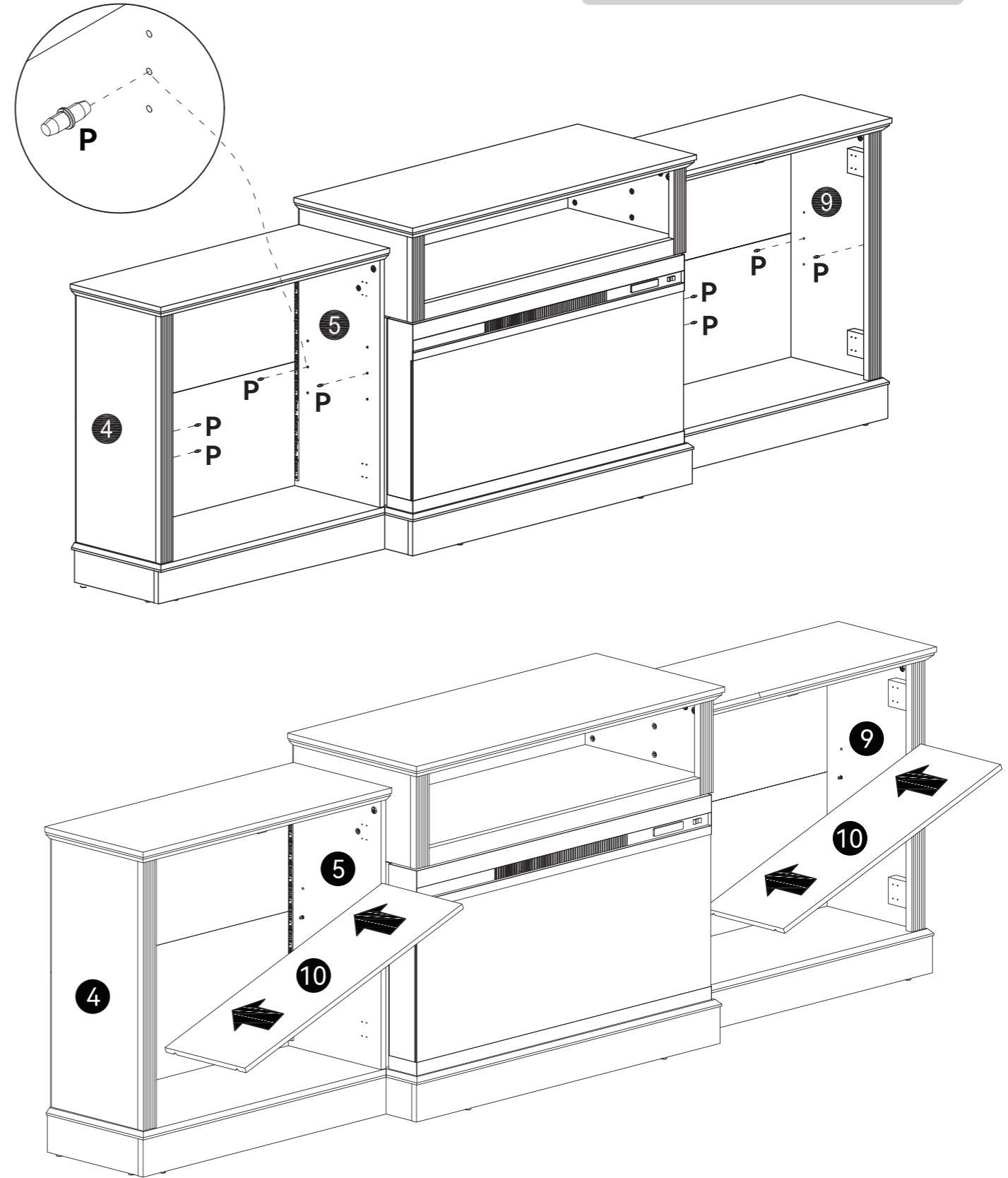
32



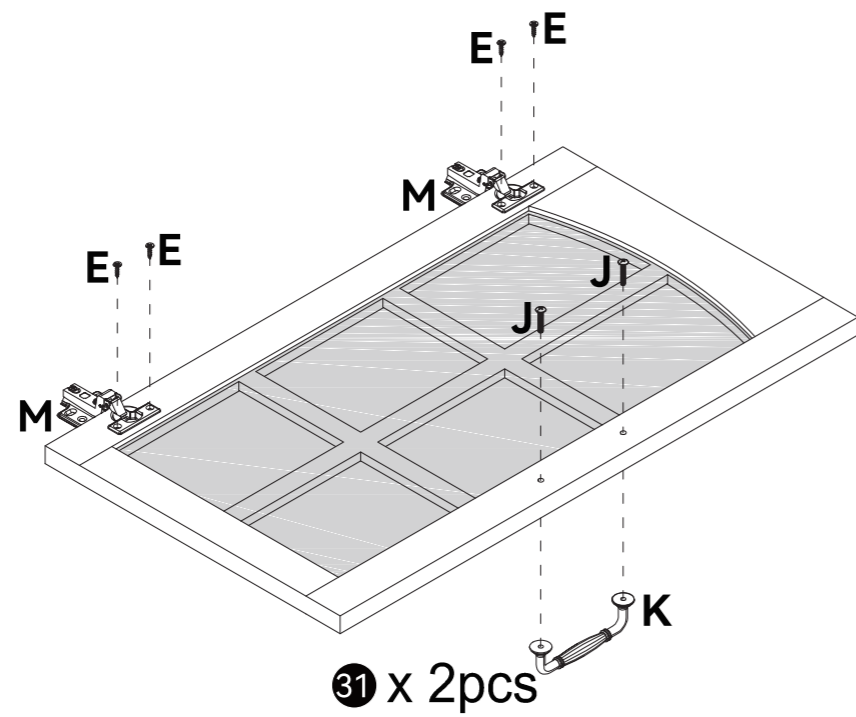
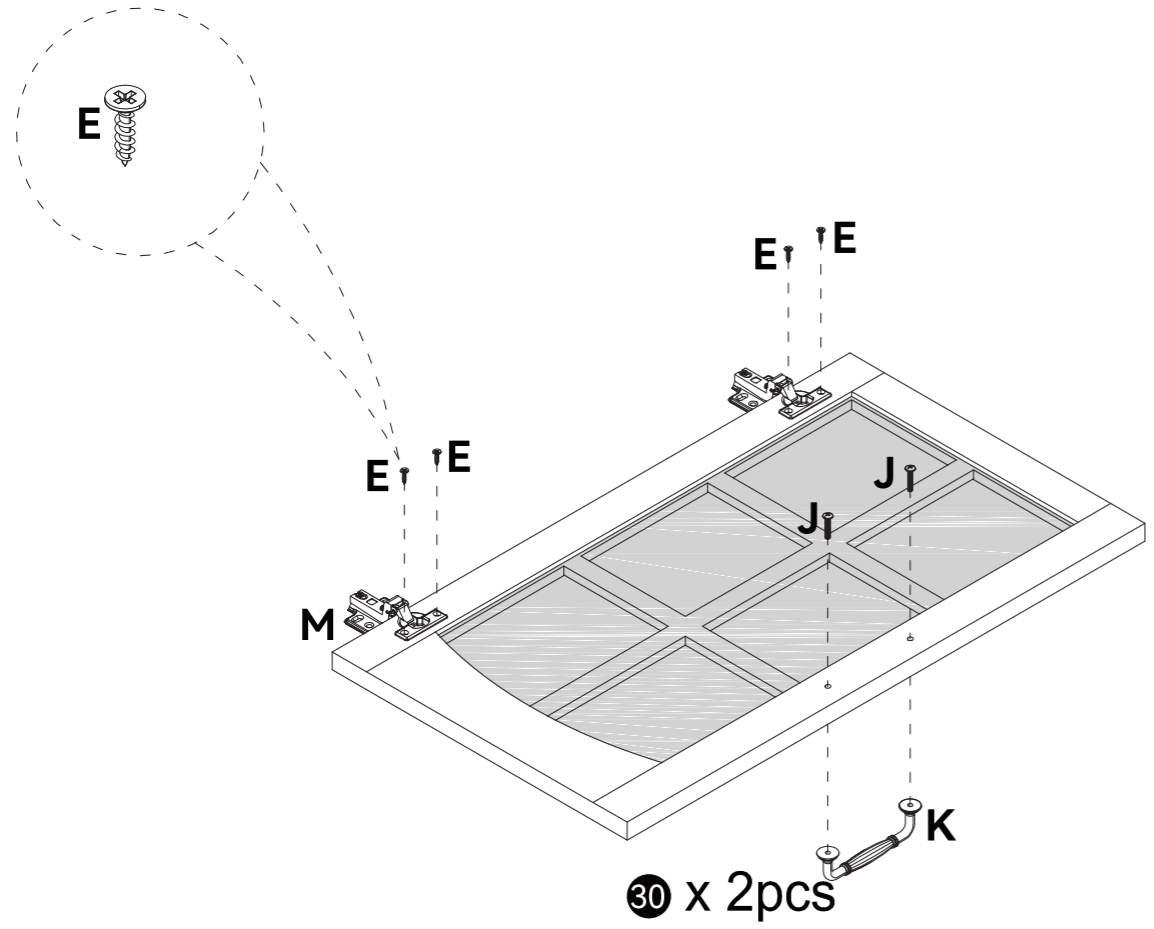
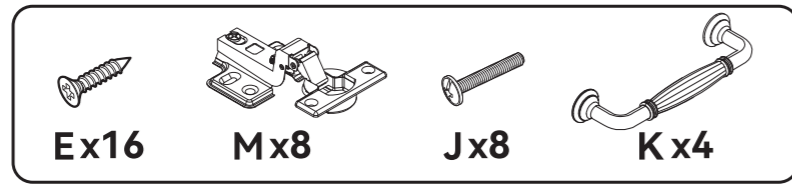
33



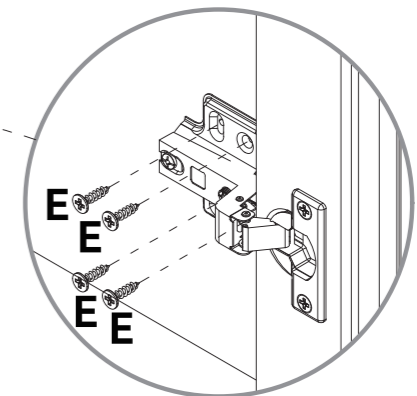
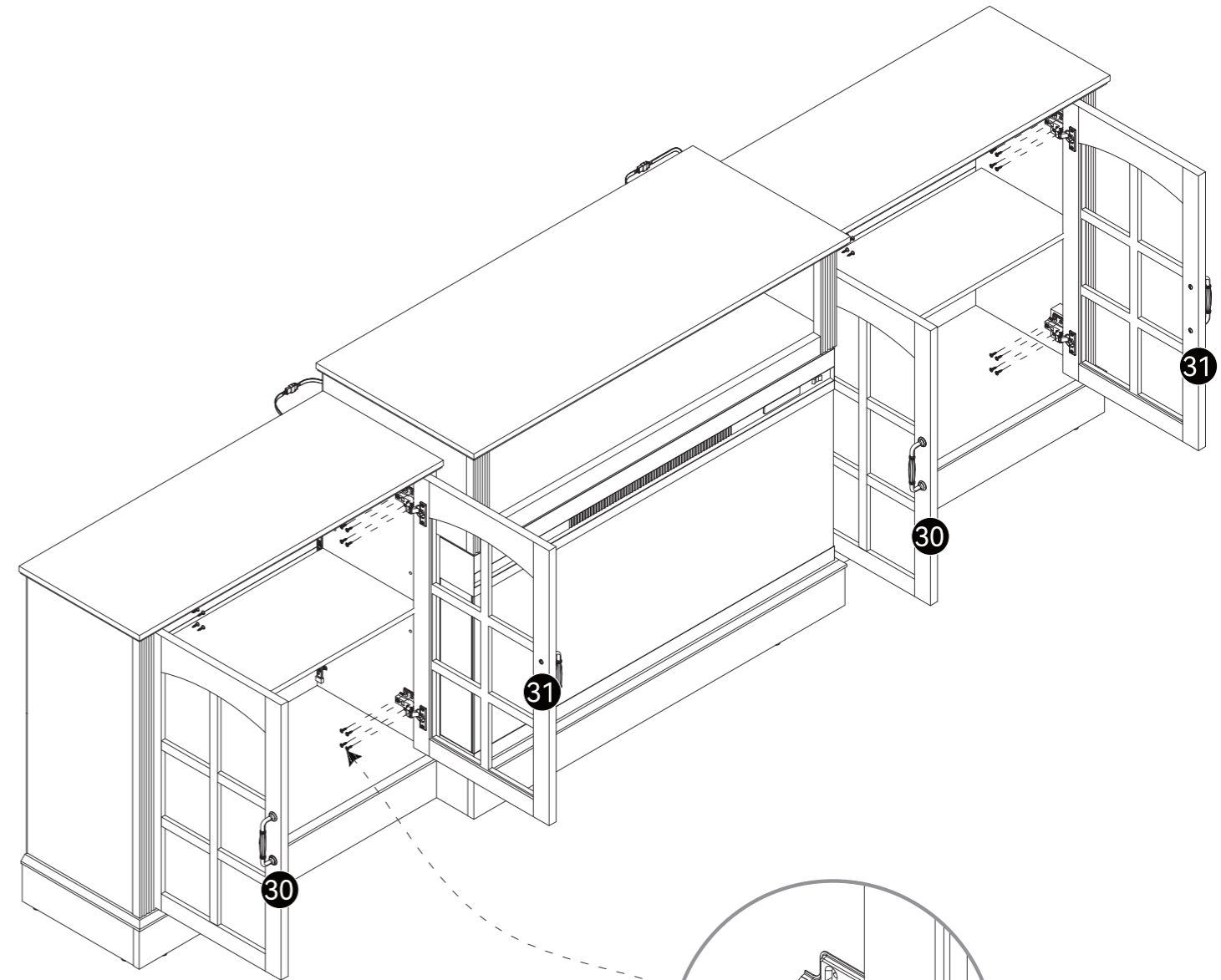
This TV stand features a tool-free height adjustment system for flexible storage. Both side panels include evenly spaced pre-drilled holes. To adjust, simply align the shelf pins with your desired height setting - no tools required.



34

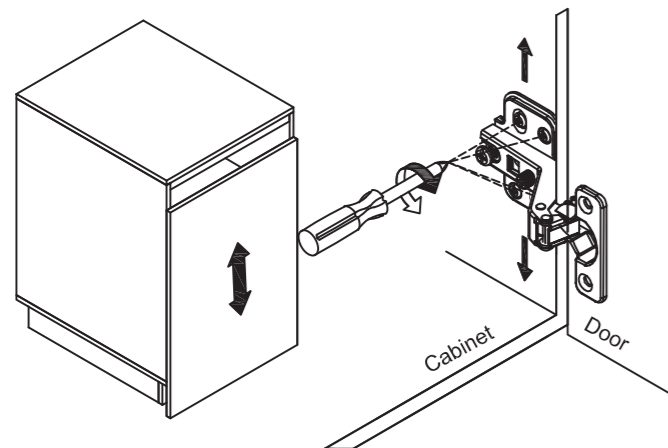
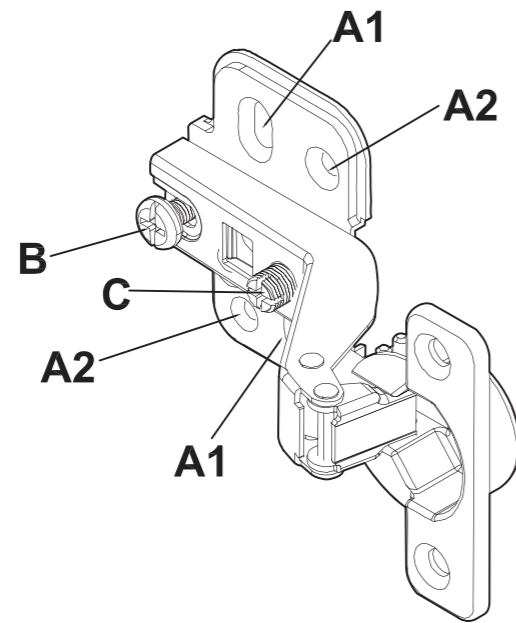


35

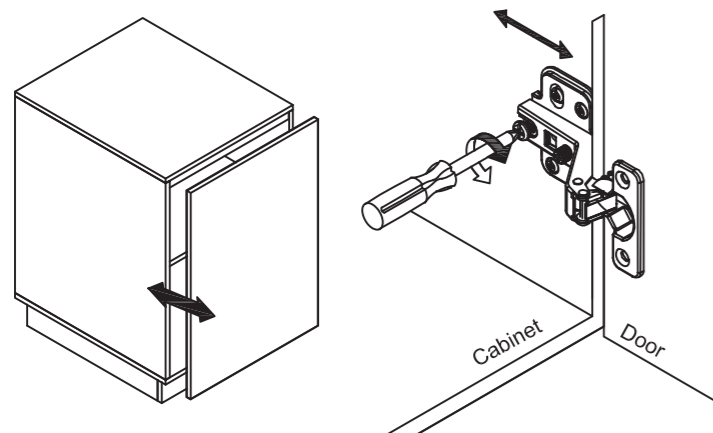


x8

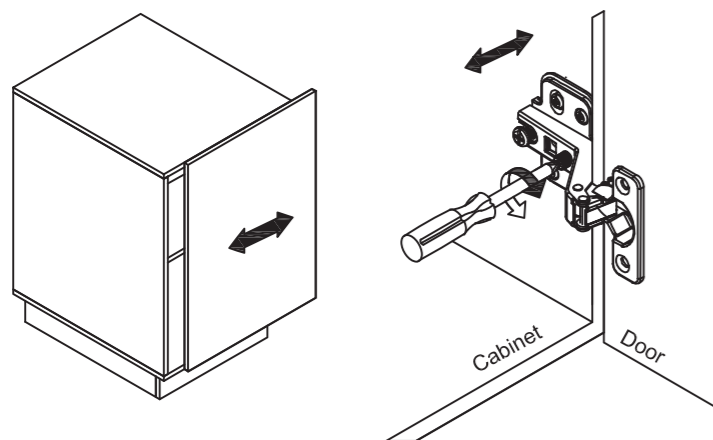
36



Up and down adjustment:
Loosen the four screws A1 and A2 on both hinges. Two in the slotted holes allows you to raise or lower the top cover. Tighten the screws to secure in place.

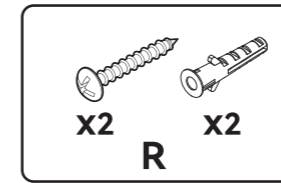


In and out adjustment:
Loosen the screw B on the hinge to adjust the top cover. If the cover cannot be adjusted, loosen the screw C and try again. Tighten the screws to secure in place.

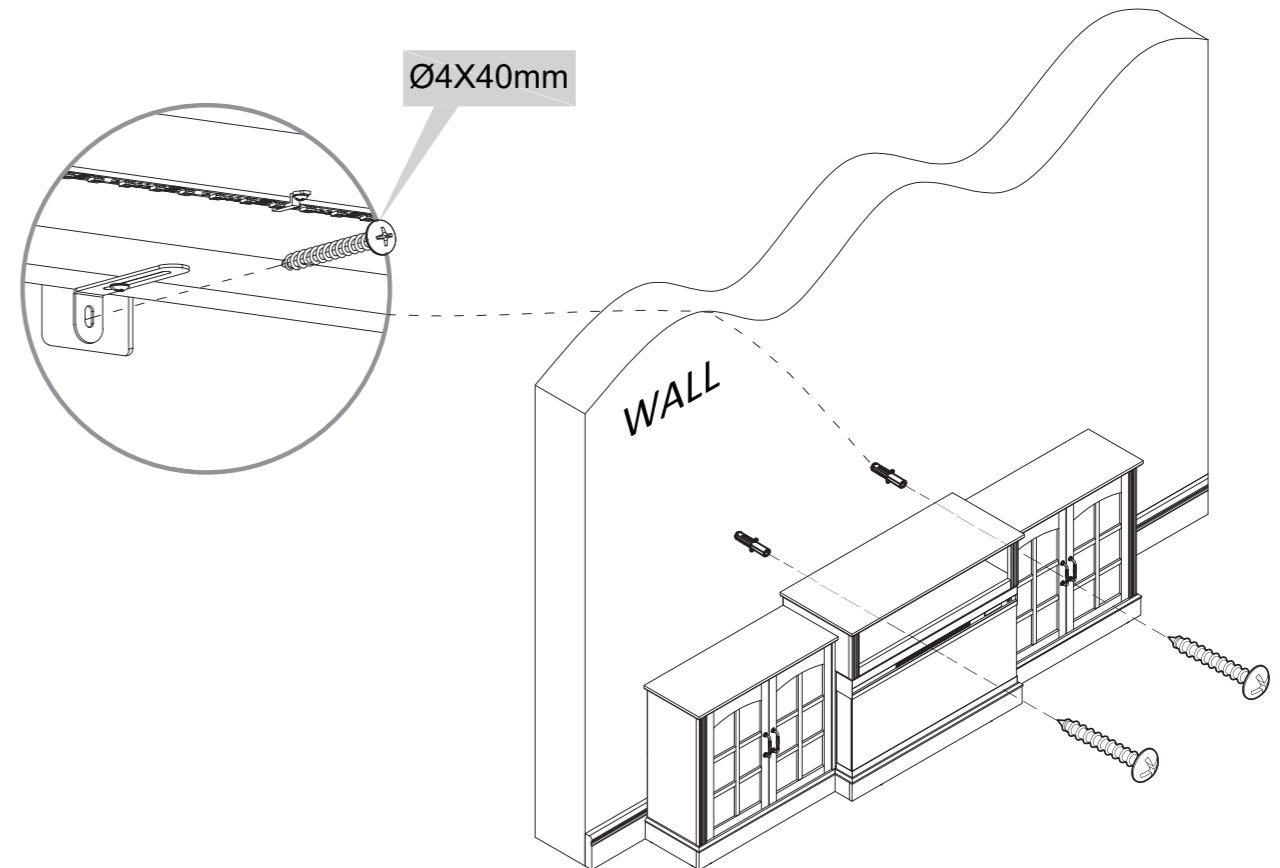
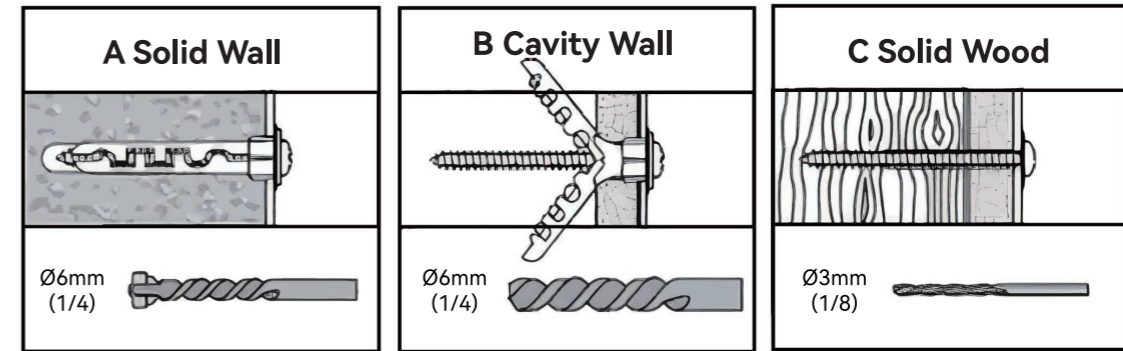
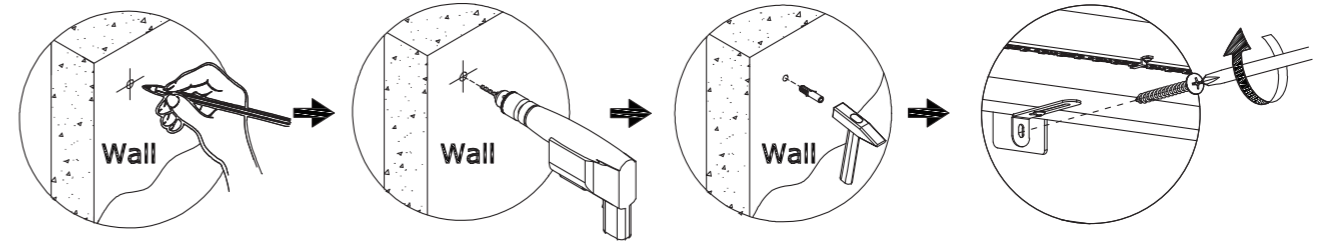


Side-to-side adjustment:
Loosen the front screw C on the hinge to align the door horizontally.

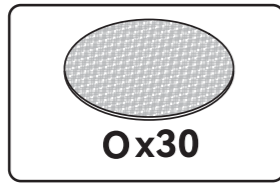
37



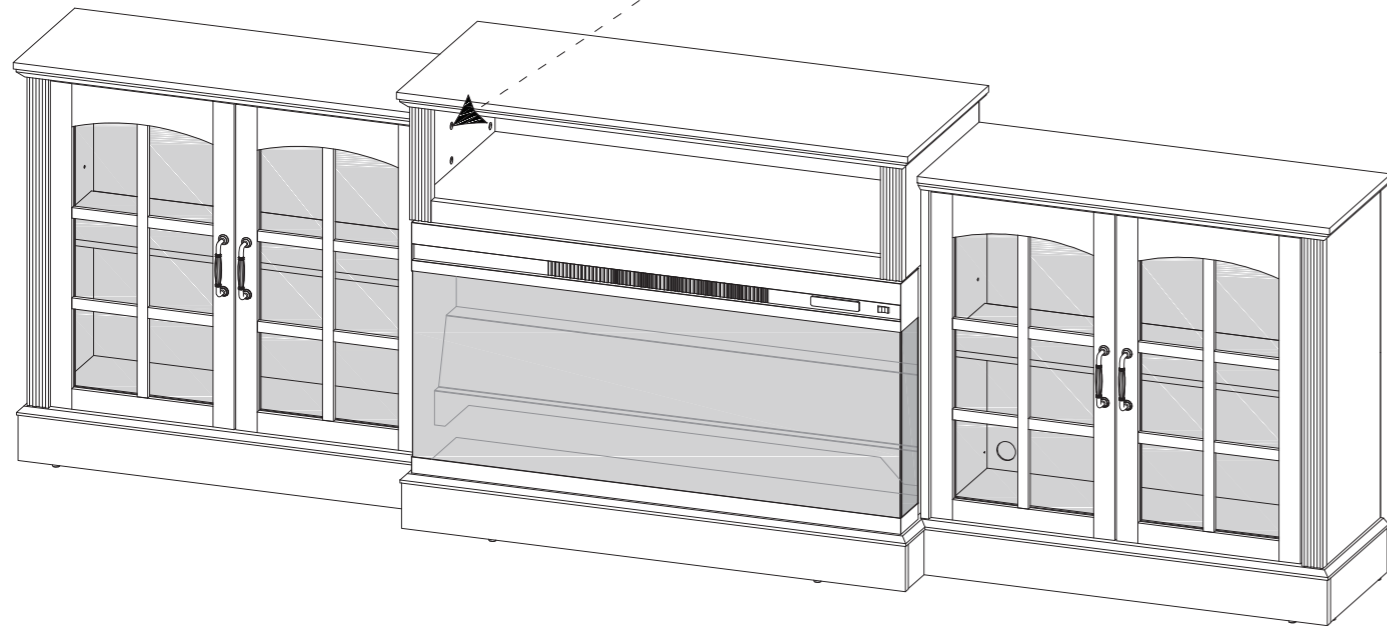
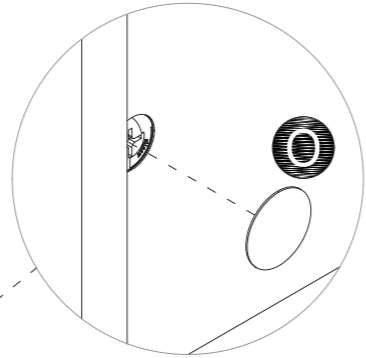
WARNING: To reduce the risk of tipover, ALWAYS install tipover restraint provided.



38



Cover the holes with the provided stickers.



Refer to the User Manual of the fireplace for safety and operation instructions.