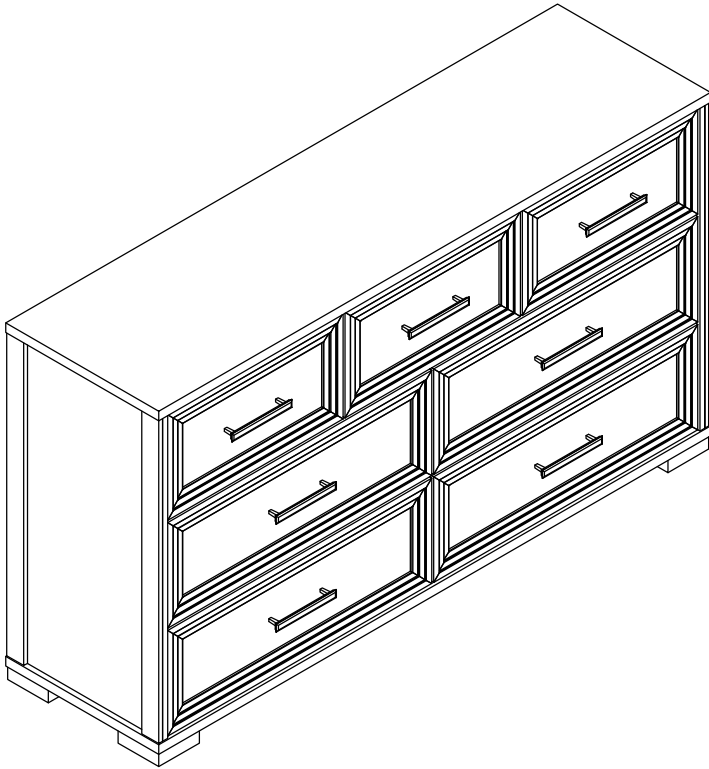


# ASSEMBLY INSTRUCTIONS

## 2041 / 2042-10

### DRESSER - WHITE / GREY




#### PARTS LIST

NO	DESCRIPTION	QTY
1	DRESSER	1 PC.

#### HARDWARE LIST

NO	DESCRIPTION	SIZE	QTY
A	TIP RESTRAINT		1 PC.

A 

#### STEP 1

