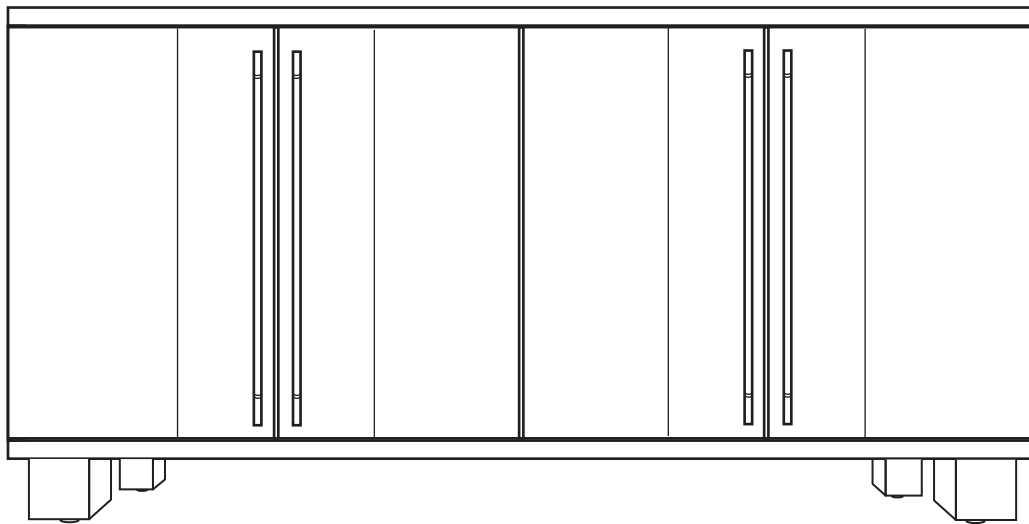


ASSEMBLY INSTRUCTION
ITEM:WF317097
SIDEBOARD



ASSEMBLY INSTRUCTION

ITEM:WF317097

Please read these instructions fully before starting assembly :

Tools required: Phillips screwdriver(medium & large)

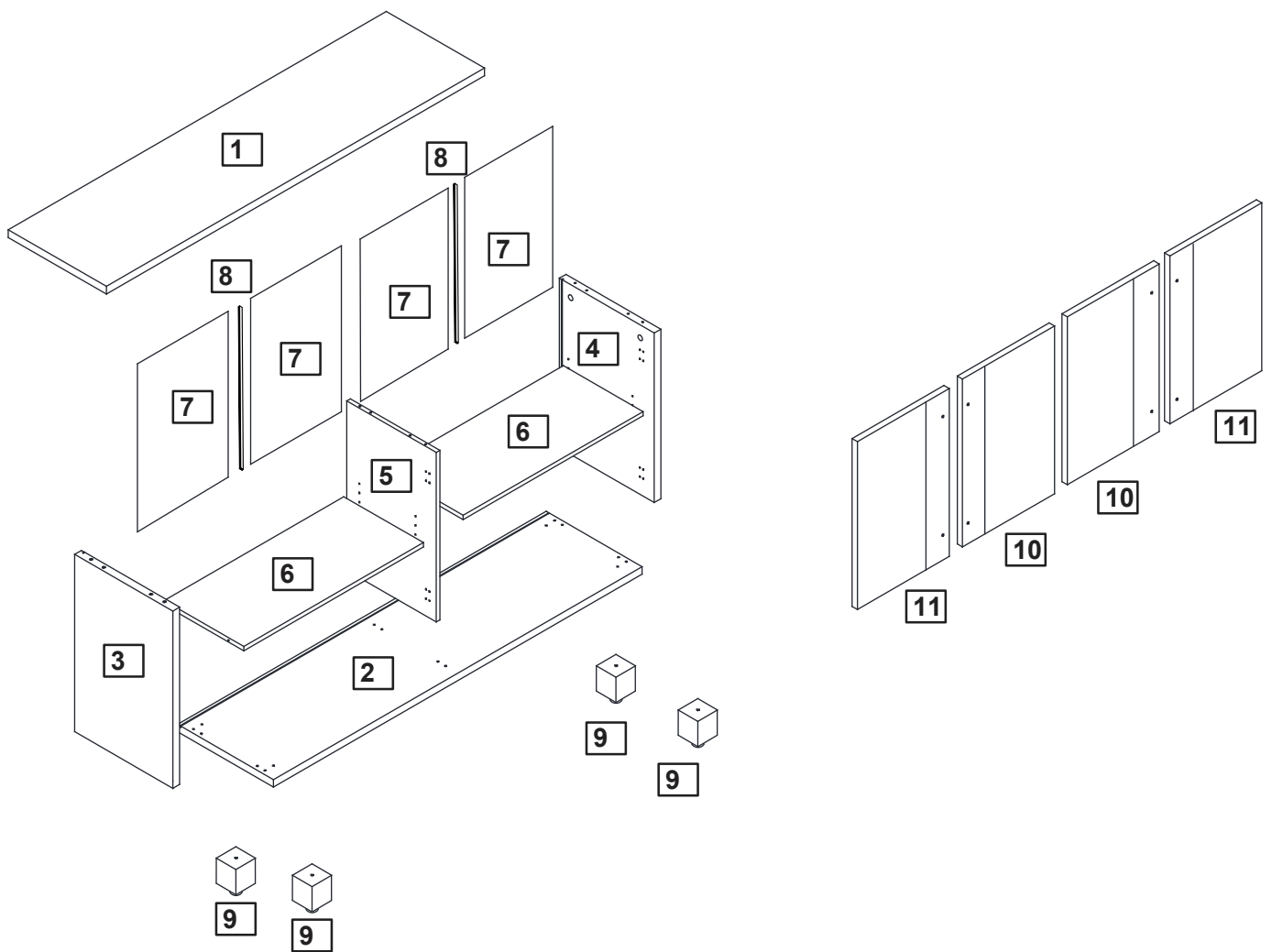
- 1.Check you have all the components and tools listed on the following pages.
- 2.Remove all fittings from the plastic bags and separate them into their groups.
- 3.Keep children and animals away from the work area, small parts could choke if swallowed.
- 4.Make sure you have enough space to layout the parts before starting.
- 5.During assembly do not stand or put weight on the product, this could cause damage.
- 6.Assemble the item as close to its final position (in the same room) as possible.
- 7.Assemble on a soft level surface to avoid damaging the unit or your floor.
- 8.Parts of the assembly will be easier with 2 people.
- 9.To reduce the likelihood of damaging your product please ensure that your power drill is set on a low torque setting.
- 10.Assemble all parts and bolts loosely during assembly, only once the product is complete should you fully tighten the bolts.
- 11.Regularly check and ensure That all bolts and fittings are tightend properly.
- 12.Please do not place items that exceed the load capacity.

Care and maintenance

Only clean using a damp cloth and mild detergent, do no use bleach or abrasive cleaners.

ASSEMBLY INSTRUCTION

ITEM:WF317097

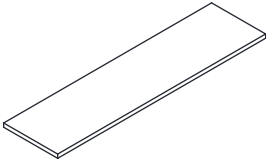
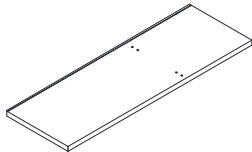
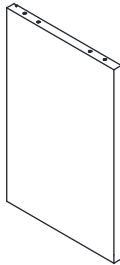
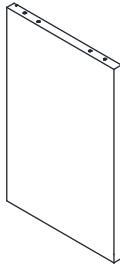
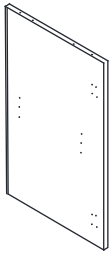
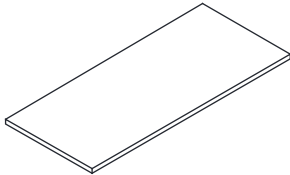

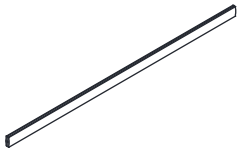
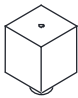
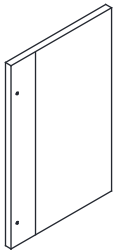



Part List

ITEM:WF317097

Please check you have all the panels listed below

Note: The quantities below are the correct amount to complete the assembly. In some cases more fittings may be supplied than are required.






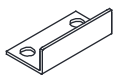


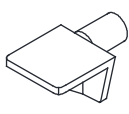
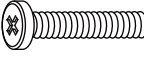
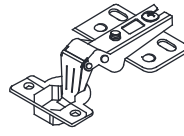
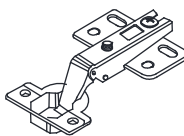

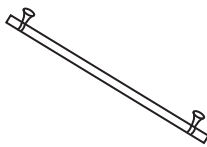

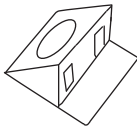
<p>①</p>  <p>Top Panel 1 PC</p>	<p>②</p>  <p>Bottom Panel 1 PC</p>	<p>③</p>  <p>Left Panel 1 PC</p>	<p>④</p>  <p>Right Panel 1 PC</p>
<p>⑤</p>  <p>Medial panel 1 PC</p>	<p>⑥</p>  <p>Center Shelf 2PCS</p>	<p>⑦</p>  <p>Center Shelf 4 PCS</p>	<p>⑧</p>  <p>Rear panel 2PCS</p>
<p>⑨</p>  <p>Foot 4 PCS</p>	<p>⑩</p>  <p>Door 2 PCS</p>	<p>⑪</p>  <p>Door 2 PCS</p>	

Hardware list

ITEM:WF317097

Please check you have all the panels listed below

Note: The quantities below are the correct amount to complete the assembly. In some cases more fittings may be supplied than are required.

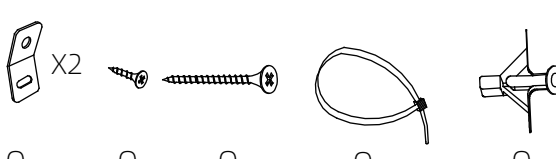

<p>A</p>  <p>Male Camlock x 6</p>	<p>B</p>  <p>Female Camlock x 6</p>	<p>C</p>  <p>Dowel x 12</p>	<p>D</p>  <p>5*60mm Screw x 6</p>
<p>E</p>  <p>E x 1</p>	<p>F</p>  <p>collision x 2</p>	<p>G</p>  <p>3*14mm Screw x 12</p>	<p>H</p>  <p>H x 1</p>
<p>I</p>  <p>Shelf Support Pin x 8</p>	<p>J</p>  <p>8*45mm Screw x 4</p>	<p>K</p>  <p>Door Hinge x 4</p>	<p>L</p>  <p>Door Hinge x 4</p>
<p>M</p>  <p>4*16mm Screw x 48</p>	<p>N</p>  <p>Handle x 4</p>	<p>O</p>  <p>4*25mm Screw x 8</p>	<p>P</p>  <p>Plastic wedge x 8</p>

Hardware list

ITEM:WF317097

Please check you have all the panels listed below

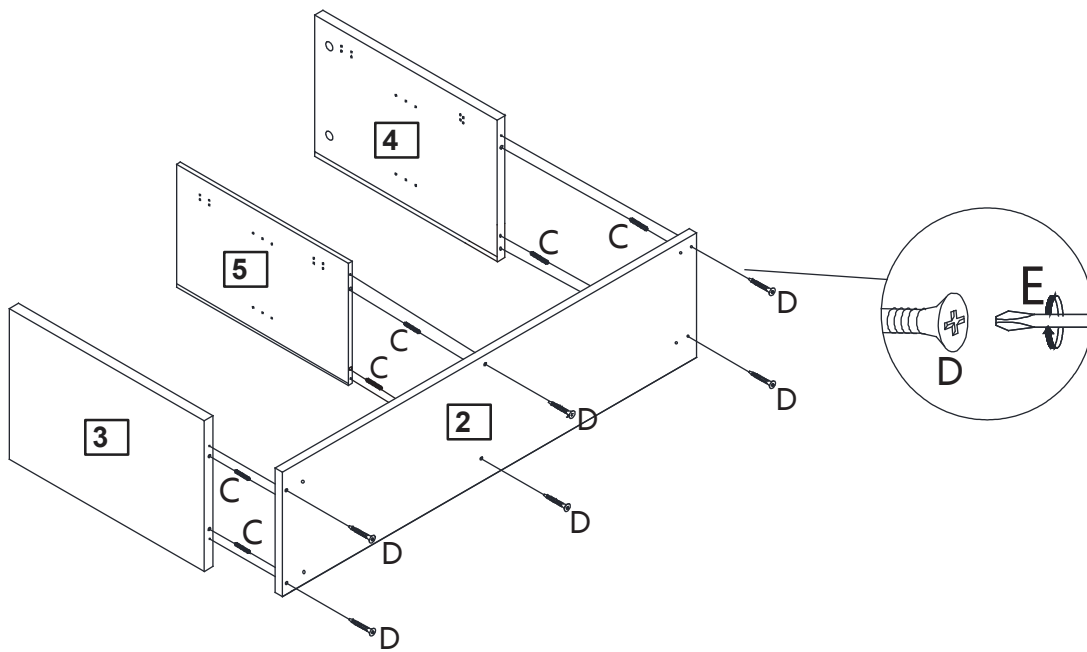
Note: The quantities below are the correct amount to complete the assembly. In some cases more fittings may be supplied than are required.

<p>Q</p>  <p>Q1 Q2 Q3 Q4 Q5</p> <p>Wall Fixing Pack x 1</p>	<p>R</p>  <p>R x 4</p>
---	---

ASSEMBLY INSTRUCTION

ITEM:WF317097

Step 1



C x 6

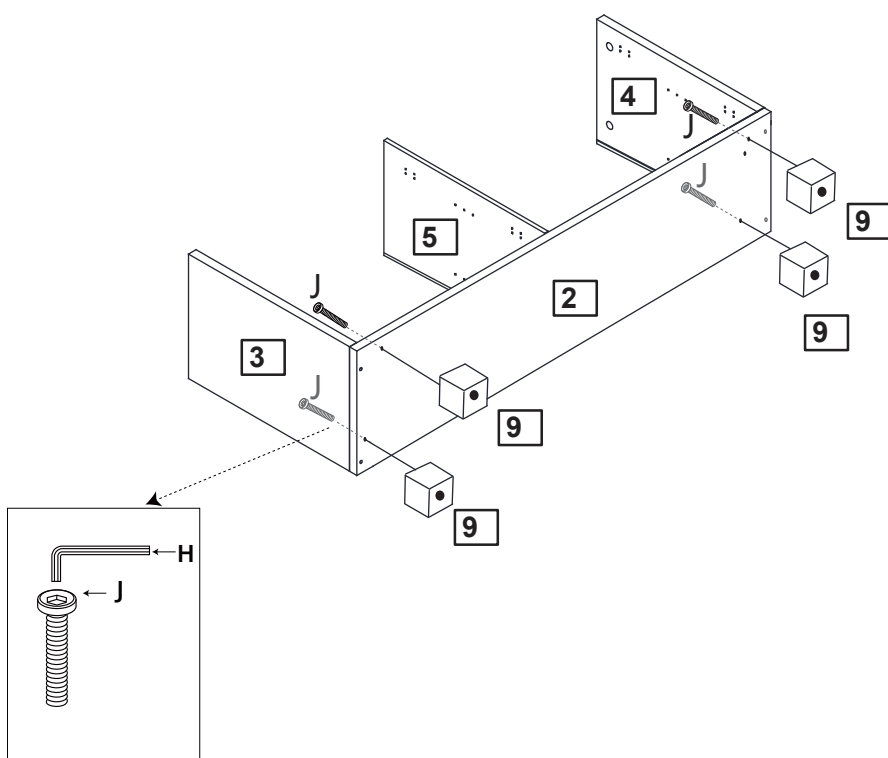


D x 6



E x 1

Step 2



H x 1

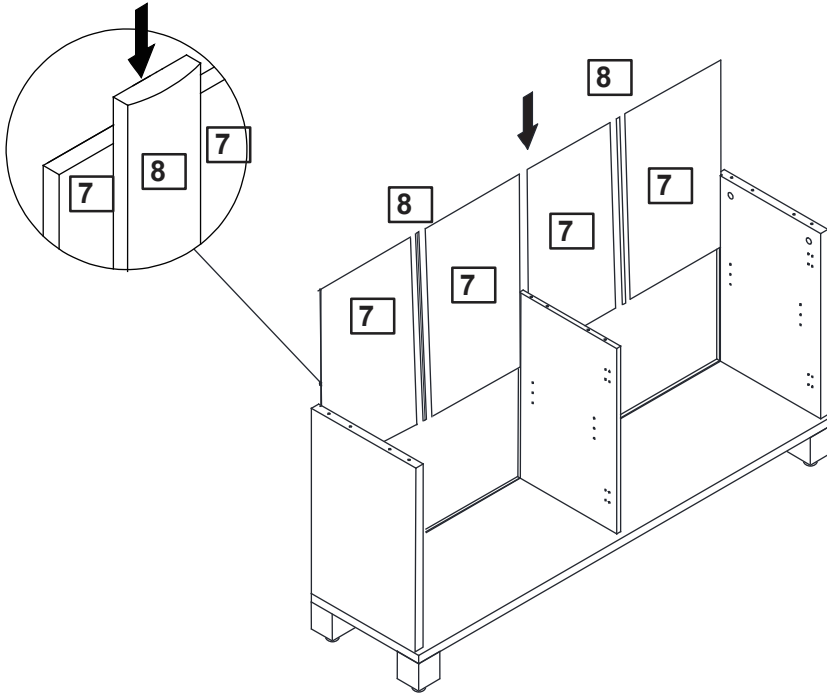


J x 4

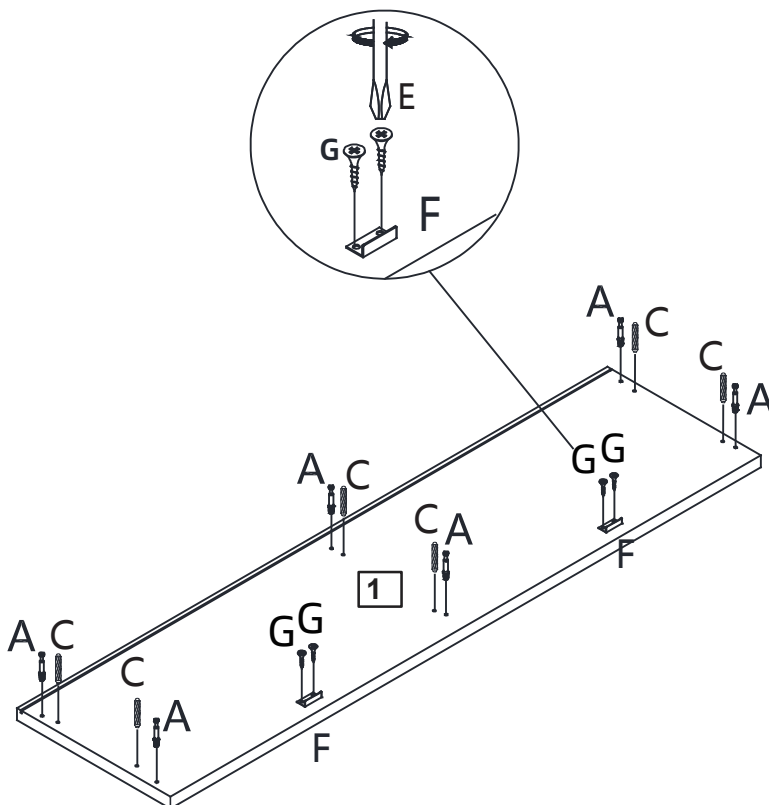
ASSEMBLY INSTRUCTION

ITEM:WF317097

Step 3



Step 4



A x 6



C x 6



F x 2

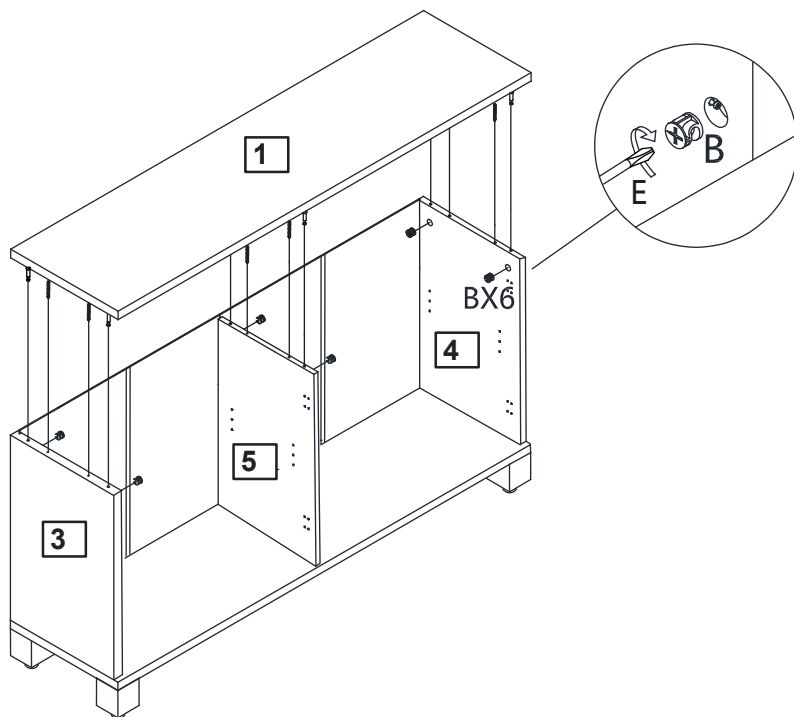


G x 4

ASSEMBLY INSTRUCTION

ITEM:WF317097

Step 5



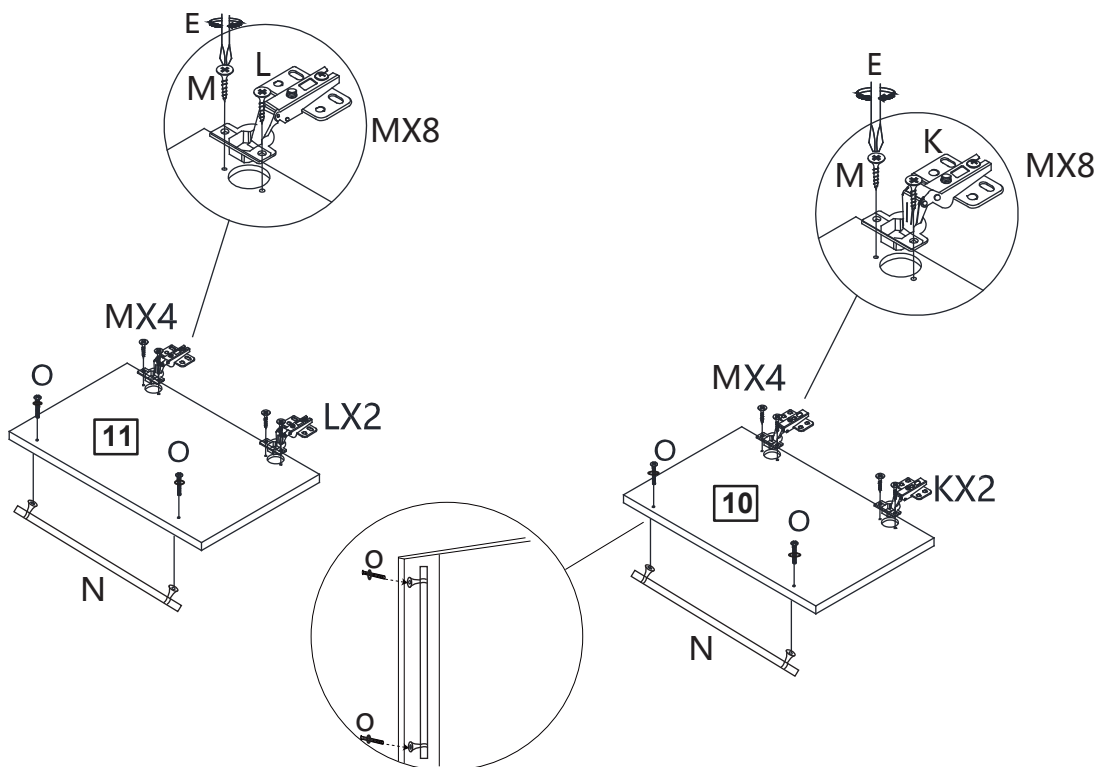
B



B x 6

Step 6

x2



K



K x 4

L



L x 4

M



M x 16

N



N x 4

O

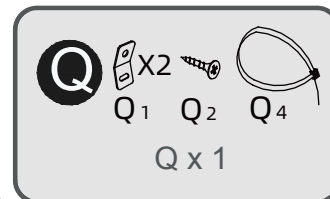
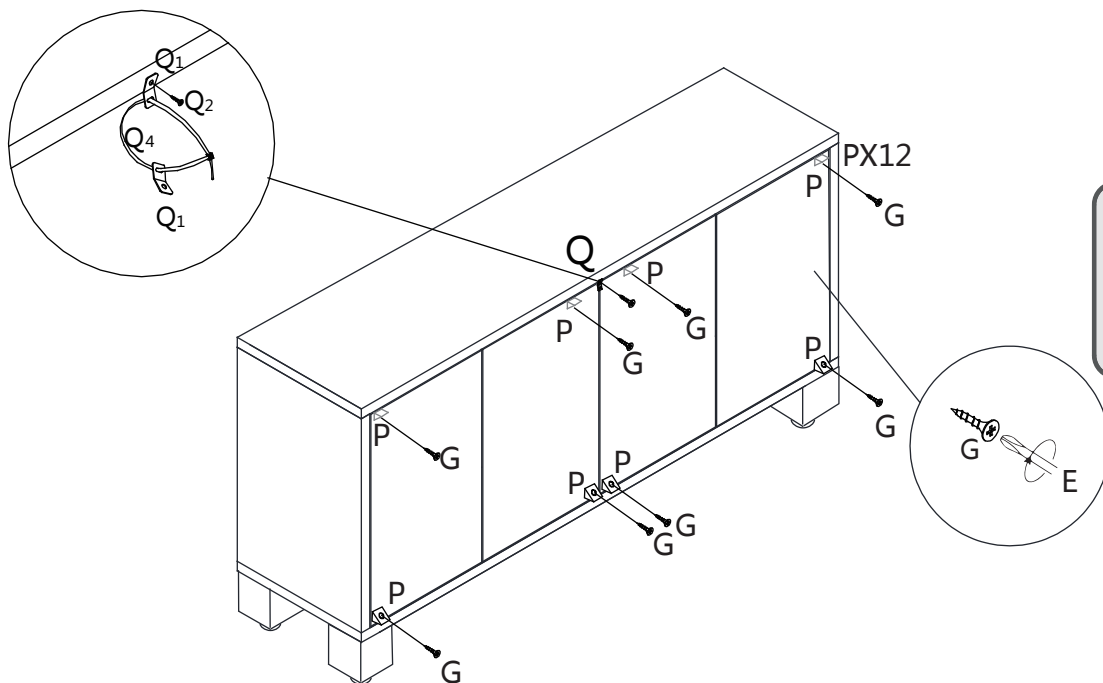


O x 8

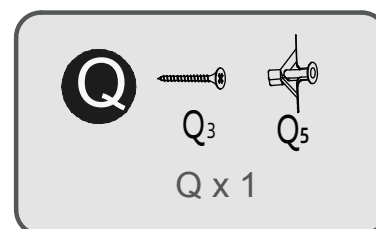
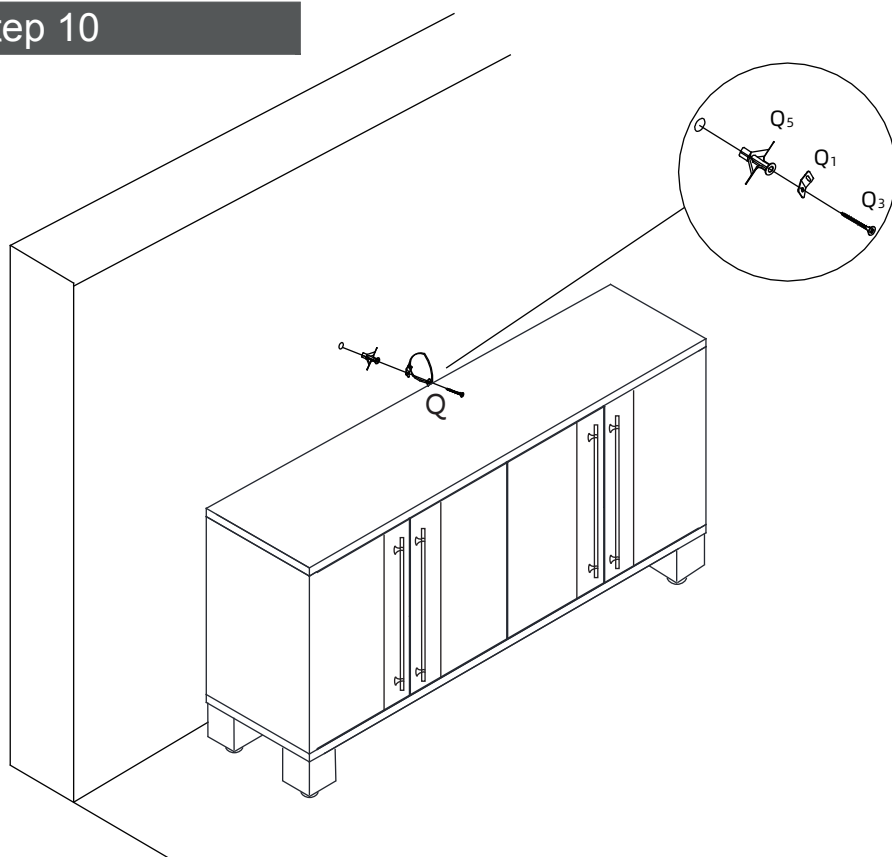
ASSEMBLY INSTRUCTION

ITEM:WF317097

Step 9



Step 10



Assembly is complete.

ASSEMBLY INSTRUCTION

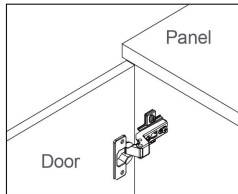
ITEM:WF317097

Assembly Steps(EN) / Montageschritte(DE)

HOW TO ADJUST THE HINGES TO ALIGN THE DOORS IF NEEDED.

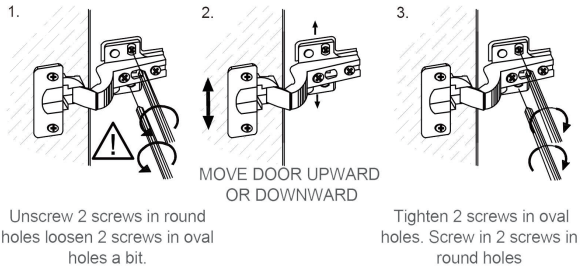
STEP 1

Open the door.



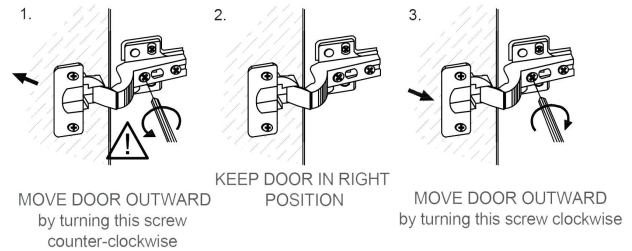
STEP 2

Adjust the door panel upward or downward



STEP 3

Adjust the flush between door panel and side panel



STEP 4

Adjust the Gap between door panel and side panel

