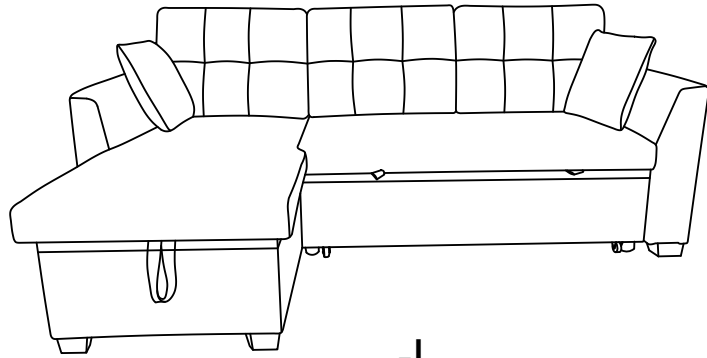
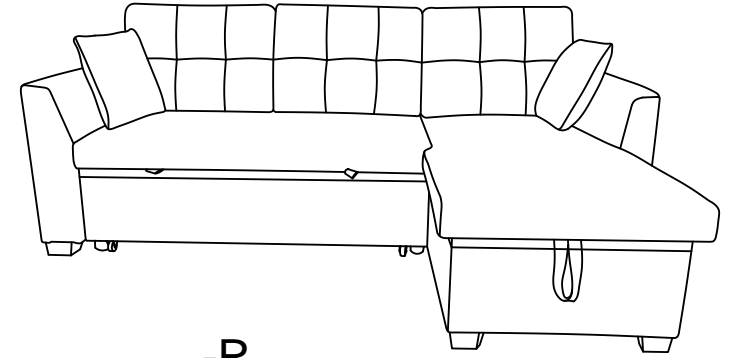


ASSEMBLY INSTRUCTION

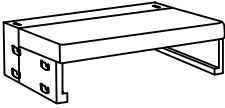
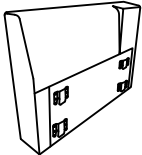
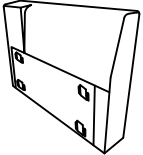

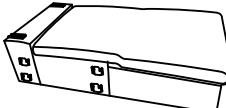
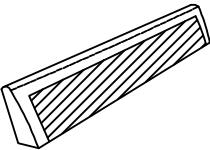
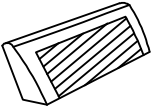
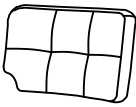
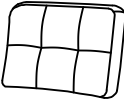
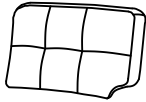



-L

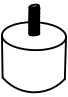
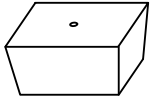
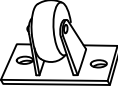


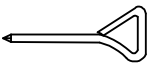
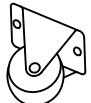




-R

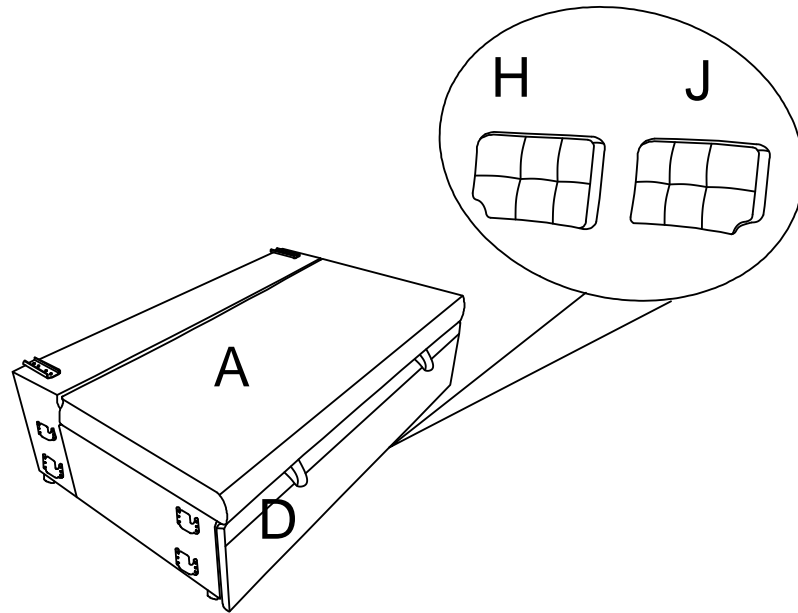
PARTS LIST

 A X1	 B X1	 C X1	 D X1	 E X1	 F X1
 G X1	 H X1	 I X1	 J X1	 K X2	

HARDWARE LIST

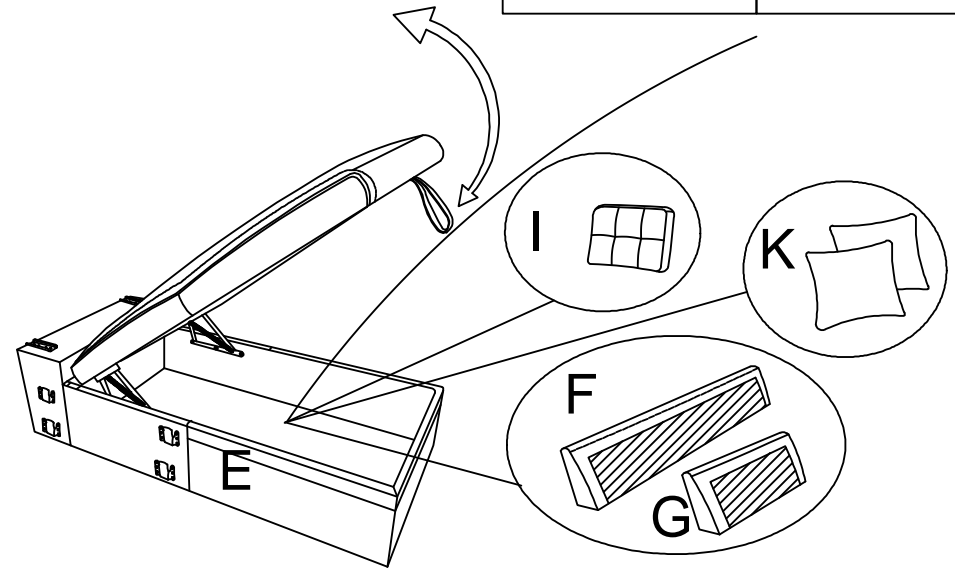
 Ø45*50mm 1 X6	 2 X6	 50mmH 3 X4	 4 X6	 5 X8	 6 X1	 40mmH parts have been assembled 7 X2	 8 X4	 9 X6
--	--	---	--	--	--	--	--	--

BOX -L HARDWARE LIST

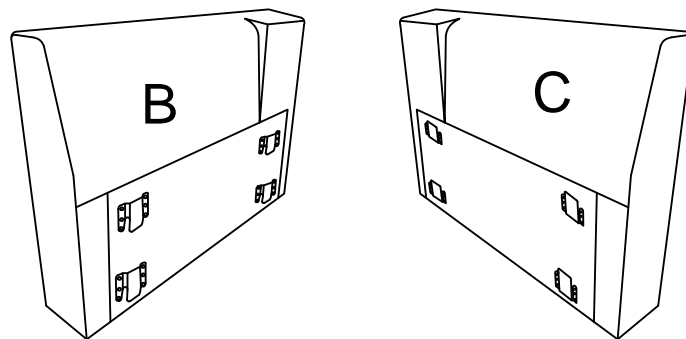


BOX -C HARDWARE LIST

①		X6	⑤		X8
②		X6	⑥		X1
③		X4	⑧		X4
④		X6	⑨		X6



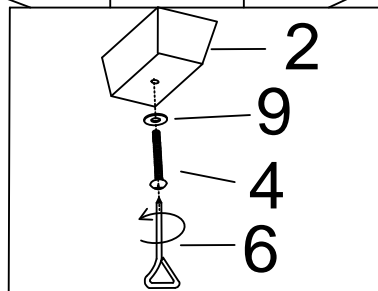
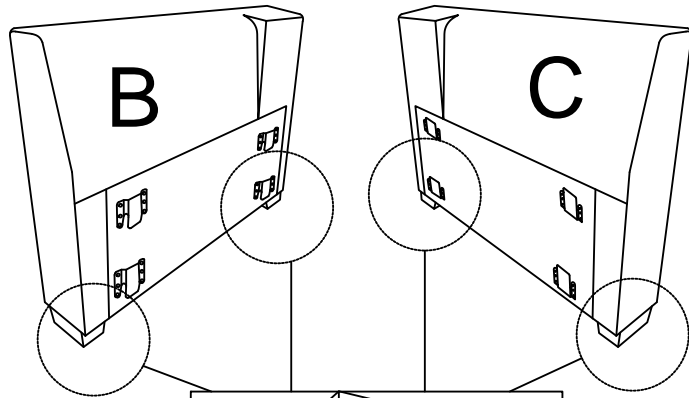
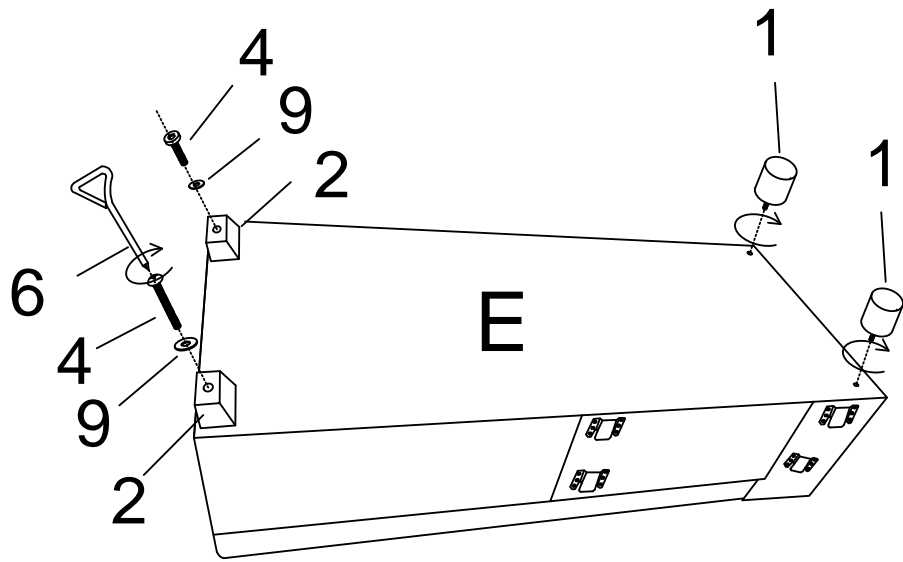
BOX -A HARDWARE LIST



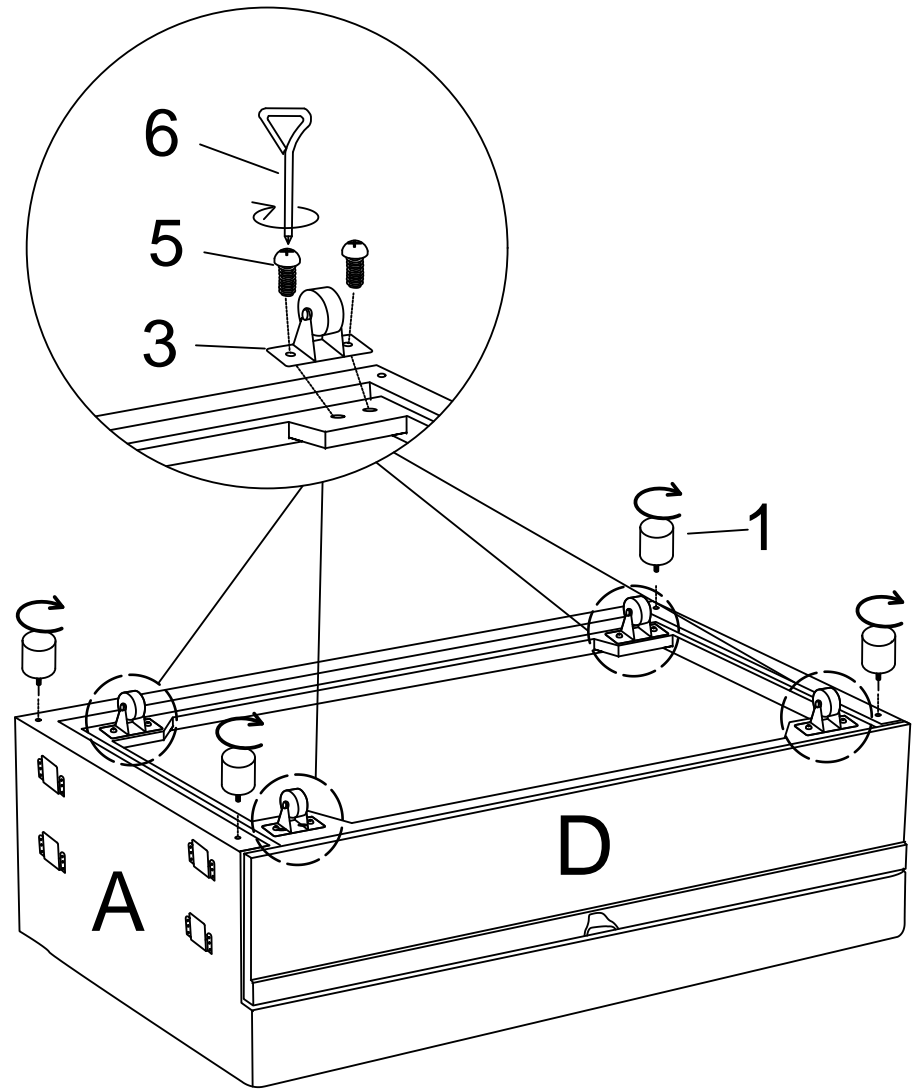
Unpacking steps:

1. BOX-C
2. BOX-L
3. BOX-A

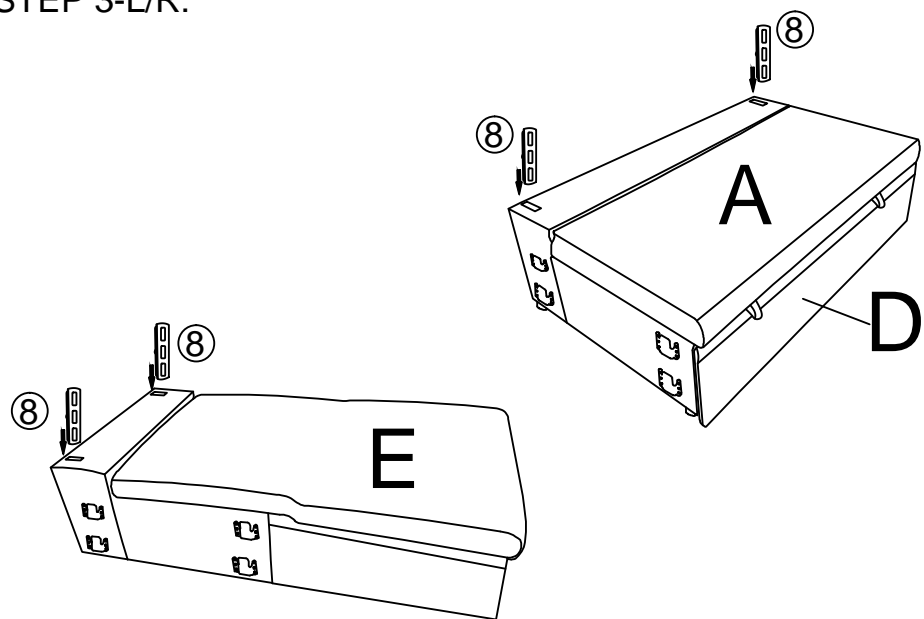
STEP 1-L/R:



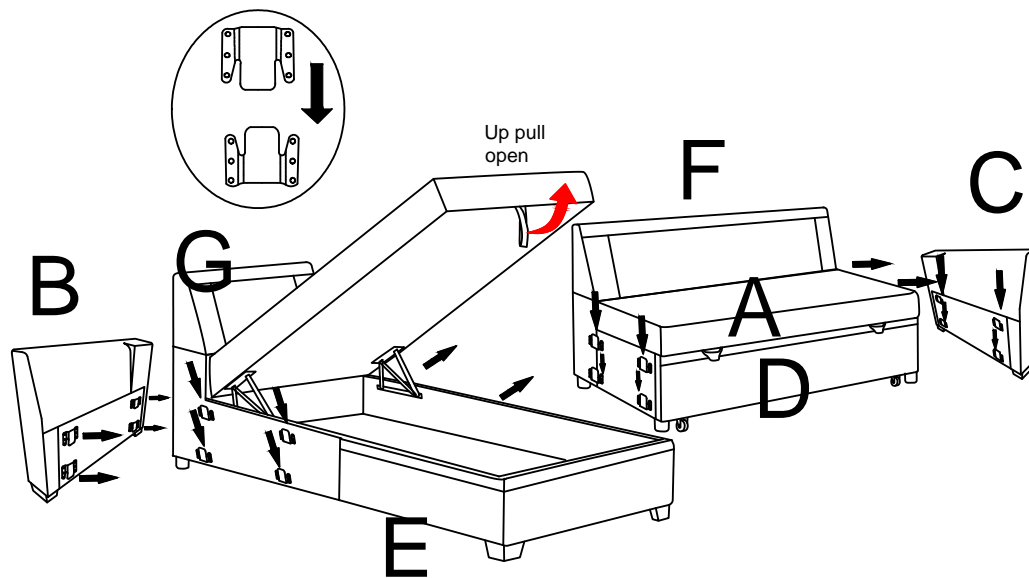
STEP 2-L/R:



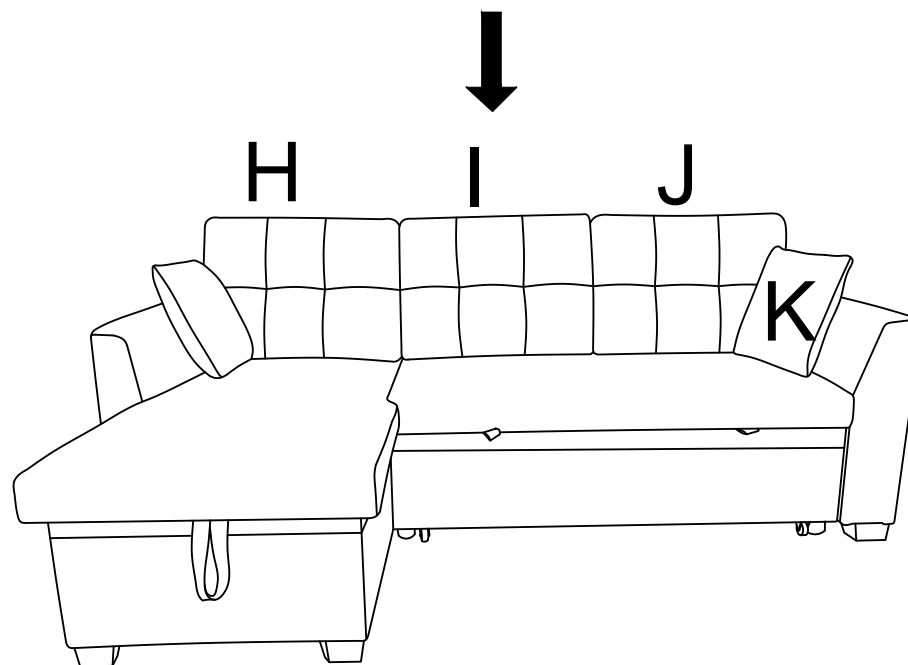
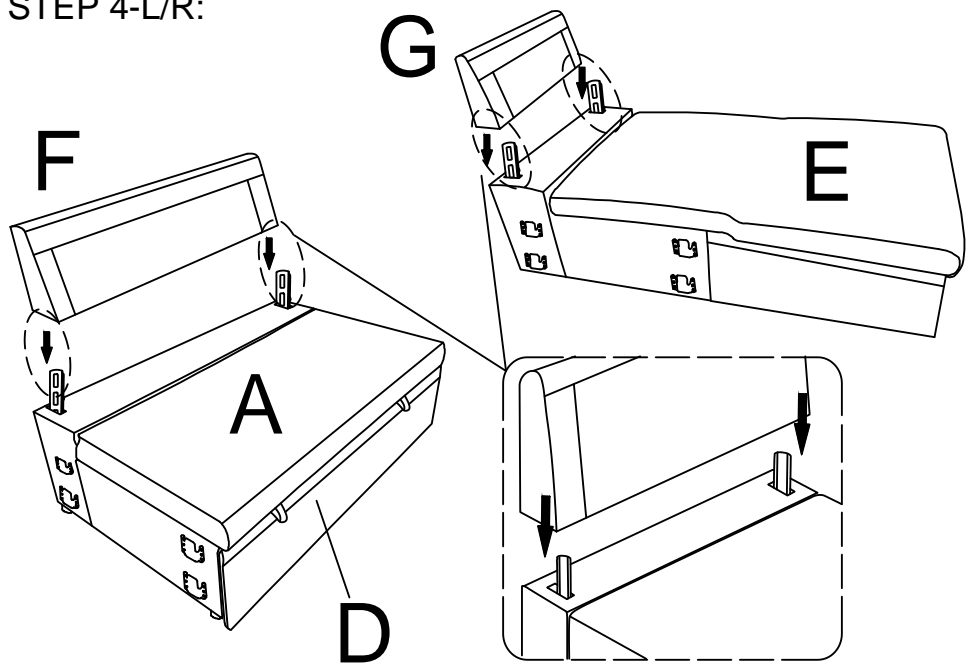
STEP 3-L/R:



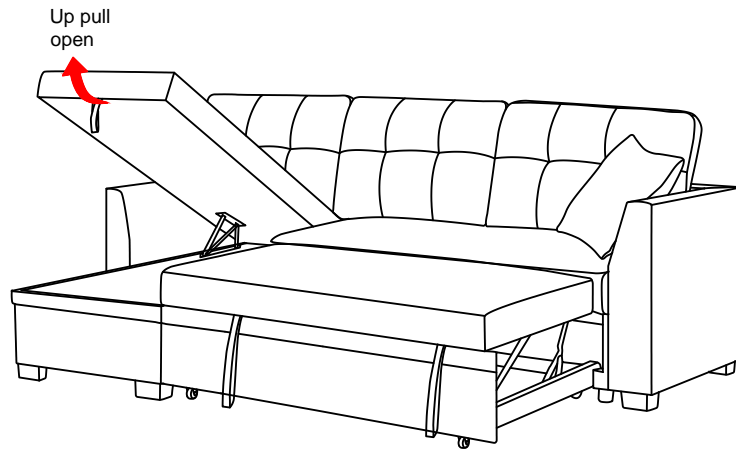
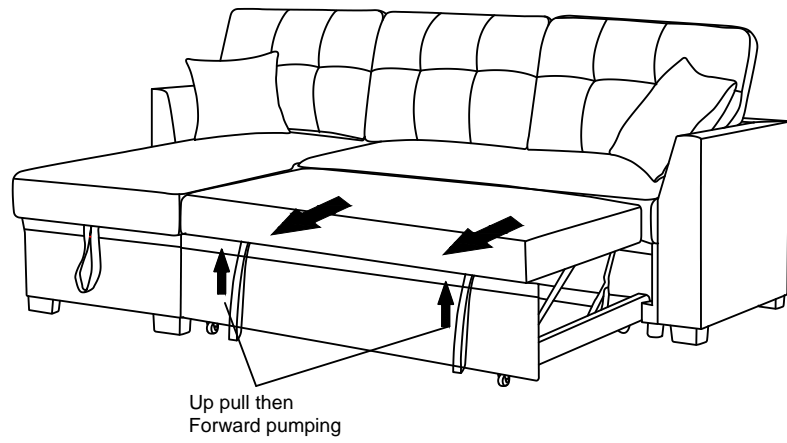
STEP 5-L:



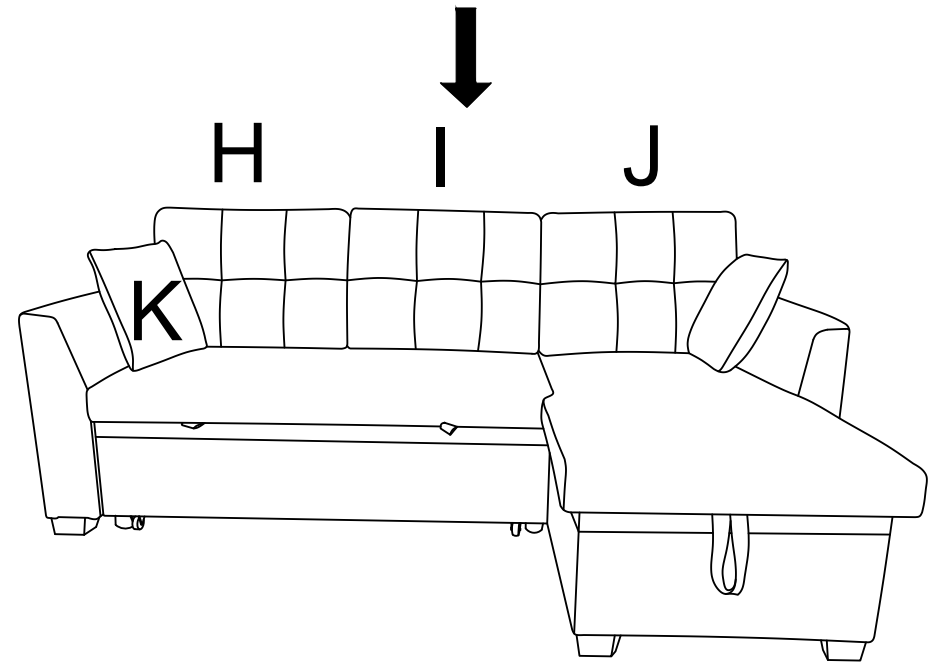
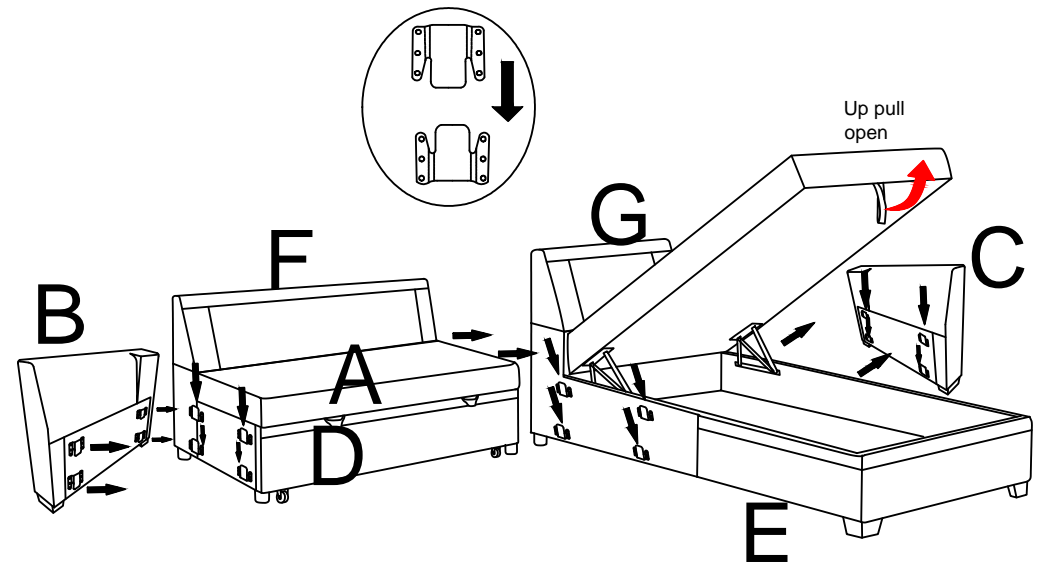
STEP 4-L/R:



STEP 6-L:



STEP 5-R:



STEP 6-R:

