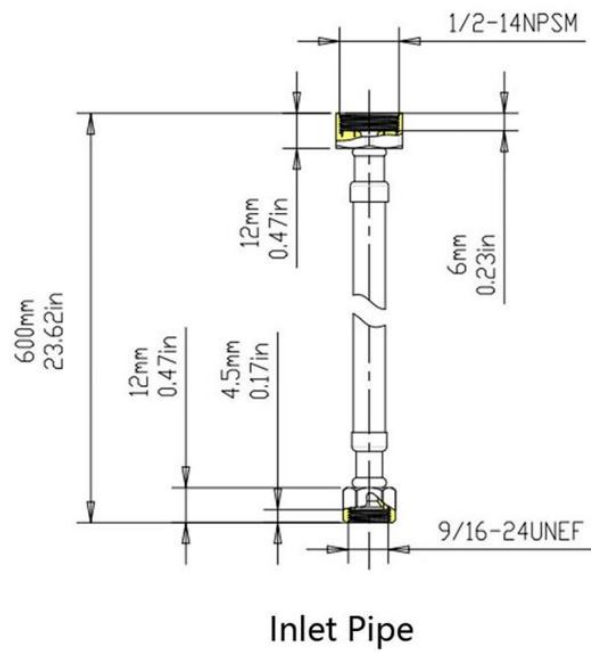
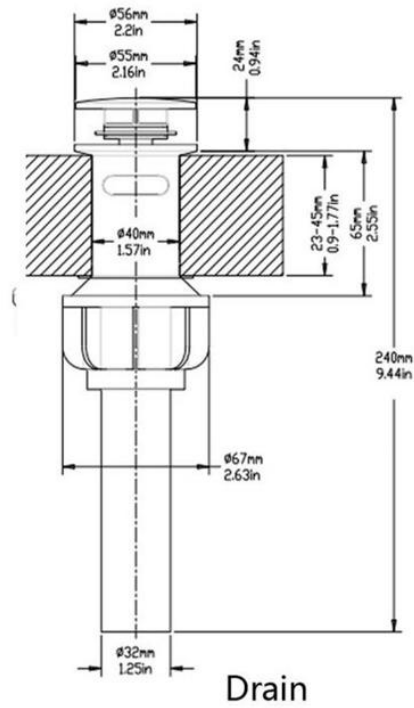
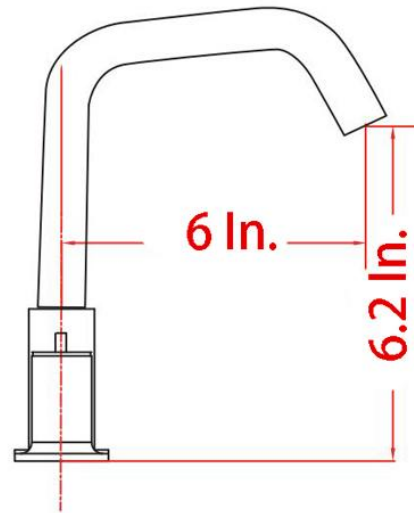
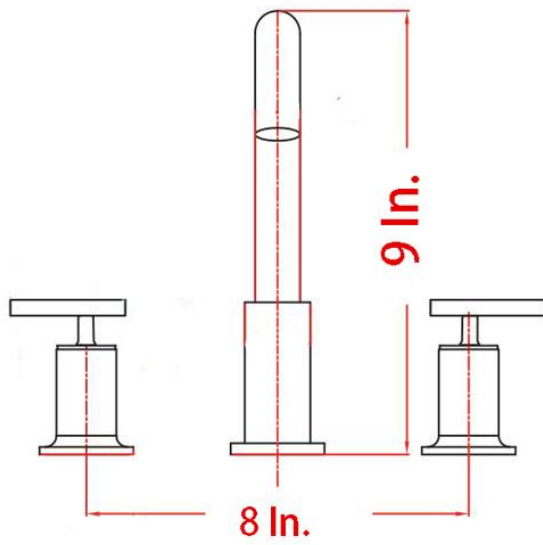
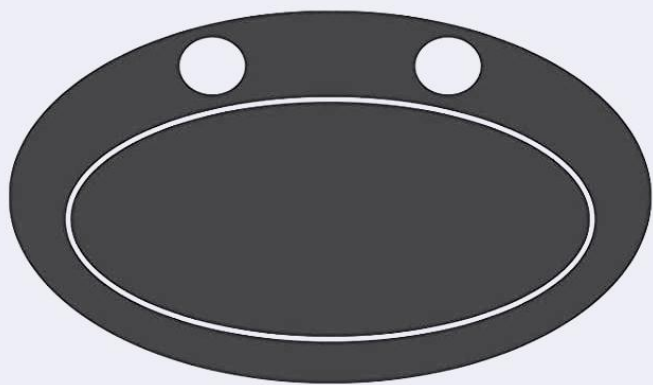
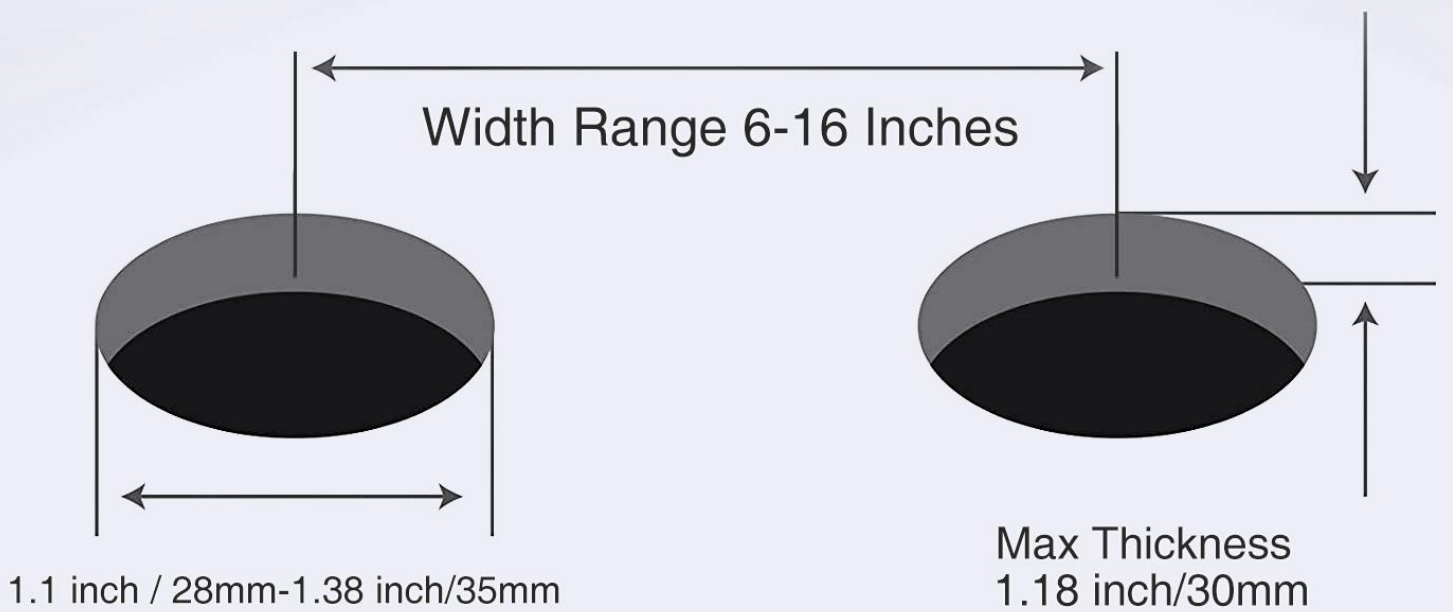


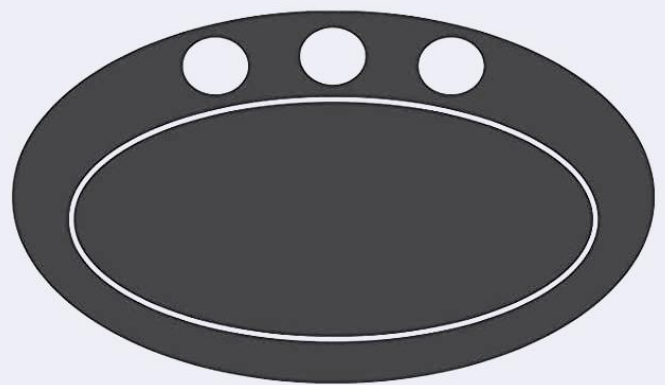
# Measurement & Specification



# Instruction



Two Hole ❌



Three Hole ✔️