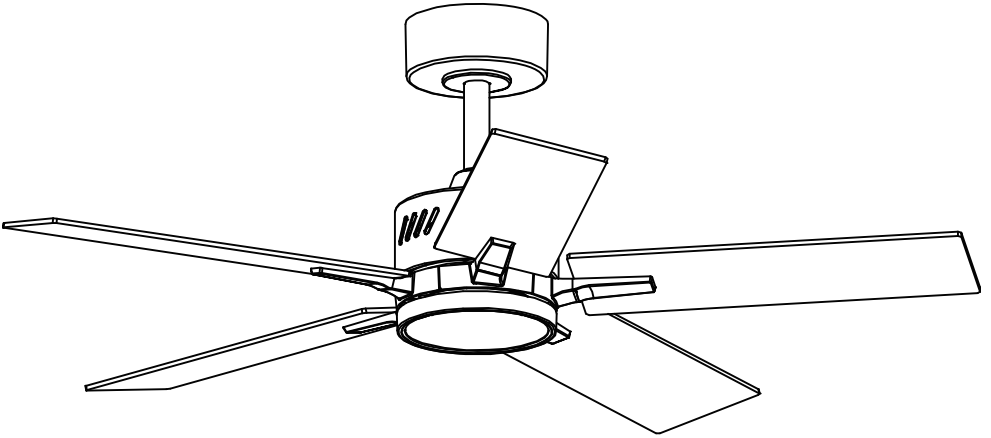


# Installation Instruction



# Installation Manual

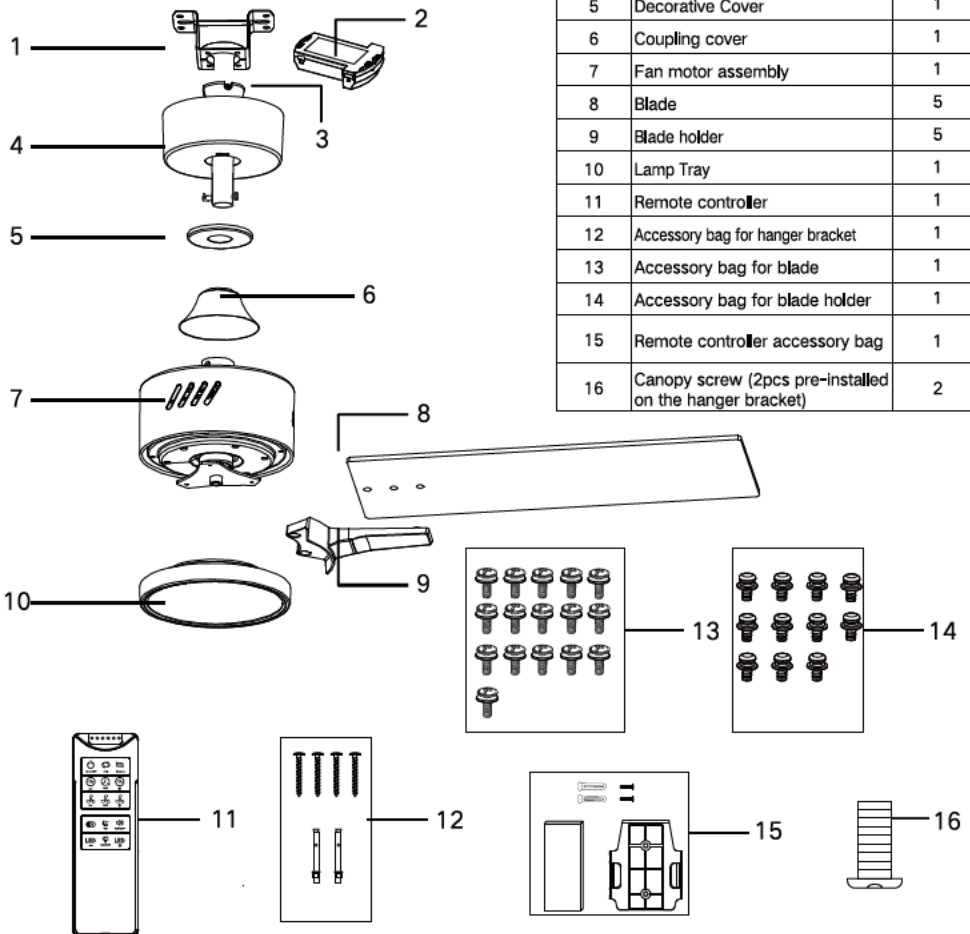
## WARRANTY

All lamps are promised to have **1-year** warranty.

## Parts Inventory

Ref.#	Description	QTY
1	Hanger bracket	1
2	Receiver	1
3	Downrod Assembly	1
4	Canopy	1
5	Decorative Cover	1
6	Coupling cover	1
7	Fan motor assembly	1
8	Blade	5
9	Blade holder	5
10	Lamp Tray	1
11	Remote controller	1
12	Accessory bag for hanger bracket	1
13	Accessory bag for blade	1
14	Accessory bag for blade holder	1
15	Remote controller accessory bag	1
16	Canopy screw (2pcs pre-installed on the hanger bracket)	2

## Assembly Drawing



## WARNING

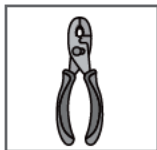
To prevent the risk of fire, electric shock, and serious personal injury, please follow these instructions:

- 1. Review the User Manual:** Before installing your new fan, thoroughly read the user manual and safety information. please review the assembly drawings carefully to check if any components are missing.
- 2. Turn Off Power:** Please ensure to disconnect the power supply when installing, servicing, or cleaning the light fixture. To ensure safety and prevent potential electrical shock, it is not sufficient to simply turn off the wall switch. Prior to wiring, make sure to turn off the electricity at the main fuse box. All wiring should be done in accordance with national and local electrical codes. Additionally, it is important to properly ground the ceiling fan as a precautionary measure against possible electrical shock.
- 3. Electrical and Structural Requirements:** Your new ceiling fan will require a grounded electrical supply line of AC110-120 V/60Hz and a 15 Amp circuit. According to electrical codes, it is necessary to use a fan-rated outlet box to support the additional weight and motion associated with a ceiling fan. A fan-rated box will be clearly labeled as such and is typically designed to support ceiling fans weighing up to 70 pounds. Fan-rated outlet boxes are available in various ratings and designs. It is essential to ensure that the rating of your ceiling fan outlet box meets the requirements for the specific ceiling fan you are installing.
- 4. No Objects in Blades:** Do not insert any objects into the fan blades while the fan is in operation.
- 5. Supervise Children:** This appliance is not intended for use by young children or individuals with disabilities without supervision. Ensure that young children are closely supervised to prevent them from playing with the appliance.
- 6. Consult a Licensed Electrician:** Before installing your ceiling fan, consult the section on the proper wiring method for your fan. If you feel that you lack sufficient knowledge or experience in wiring, it is highly recommended to have a licensed electrician install your fan.
- 7. Choosing the Appropriate Mounting Location:** The fan must be hung with at least 230 cm of clearance from floor to blades.

## Tool Preparation Prior to Installation



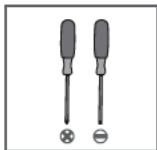
Ladder



Pliers



Wire Strippers



Screwdrivers



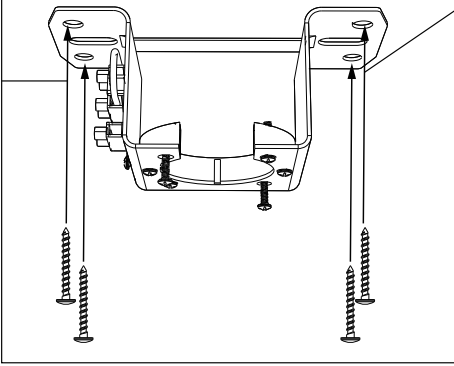
Power Drill (optional)



Drill Bit (optional)

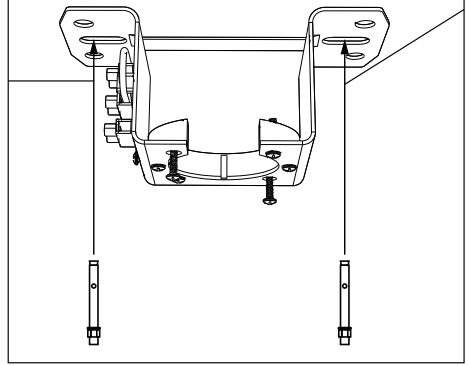
If mounting to a support structure, you will also need the optional tools.

## Wooden ceiling

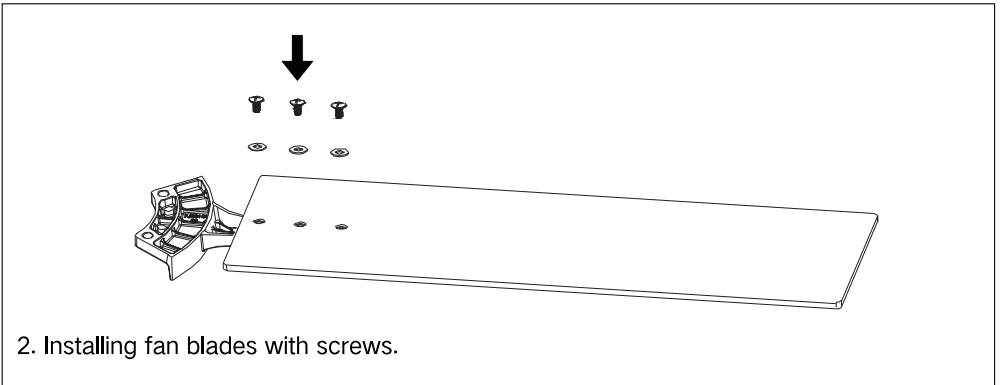


1-1.If it is a wooden ceiling, 4 self tapping screws needed to be installed to fix the hanger bracket to the ceiling.  
(Use the Accessory bag Ref.#12 for hanger bracket)

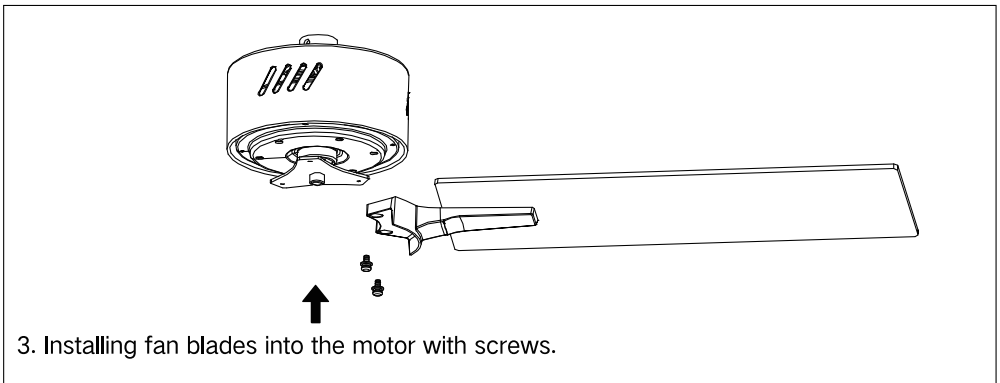
## Concrete ceiling



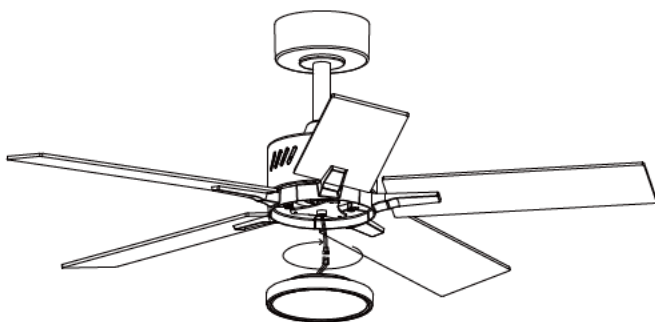
1-2.If it is a concrete ceiling, 2 expansion screws needed to be installed to fix the hanger bracket to the ceiling.  
(Use the Accessory bag Ref.#12 for hanger bracket)



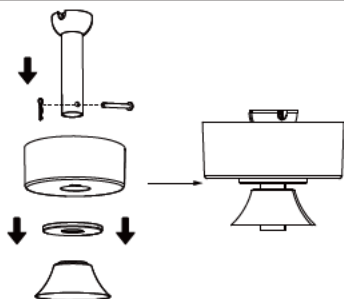
2. Installing fan blades with screws.



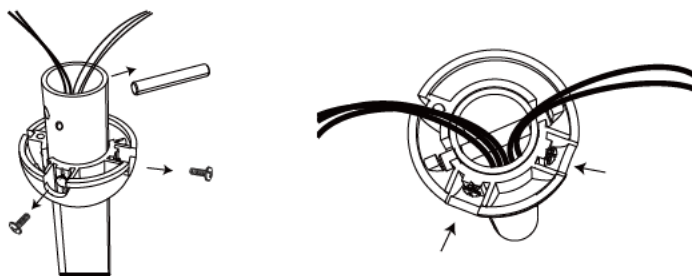
3. Installing fan blades into the motor with screws.



4. Connecting wire terminals and installing lamp body into the motor.



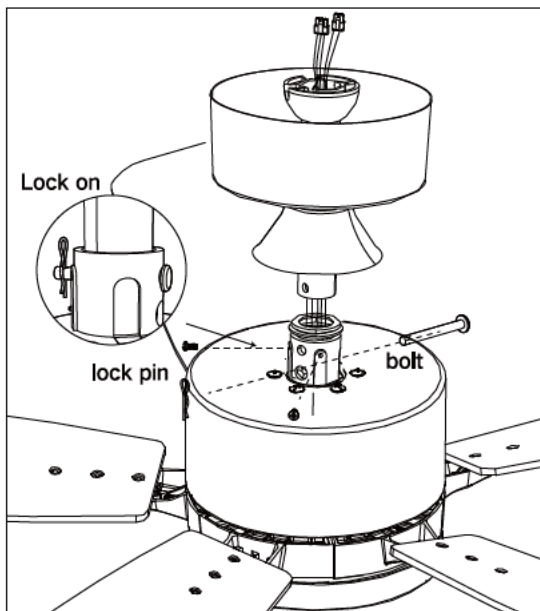
5. Remove and save the bolt and clip on the downrod. Thread the downrod through the canopy, decorative cover and coupling cover.



6. Remove the two screws and bolt in the downrod ball. Thread the electrical wires from the bottom of the downrod to the ball. Lock the downrod ball tightly again by the two screws and bolt.

6. Loosen two screws on the downrod support and then place the downrod into the downrod support.

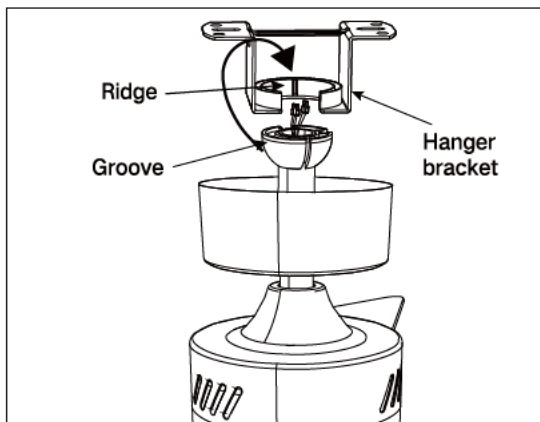
Align the hole in the downrod with the hole in the downrod support. Thread the bolt into the hole. Then, lock the bolt by the clip. Make sure to push the straight leg of the clip through the hole in the bolt to the middle of the clip. And make sure it will not fall off. Finally, re-tighten the two screws.



**⚠ WARNING**

It's Critical that the screws in the downrod support is properly installed and securely tightened. Failure to secure the screws, the bolt and the clip could result in the falling of the fan.

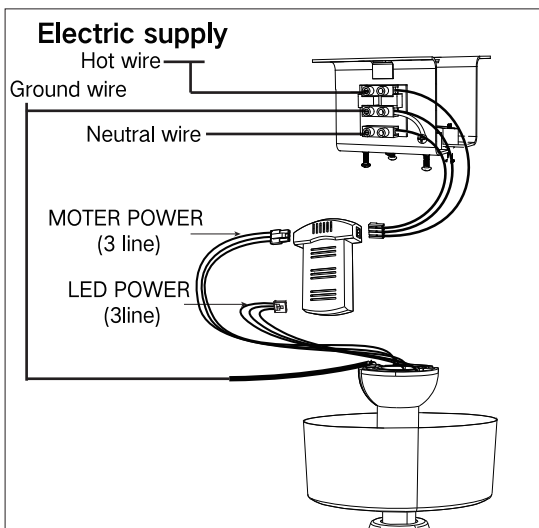
7. Carefully lift the fan, and set the downrod ball assembly on the hanger bracket attached to the ceiling. Be sure the groove in the ball is properly aligned with the ridge on the hanger bracket.



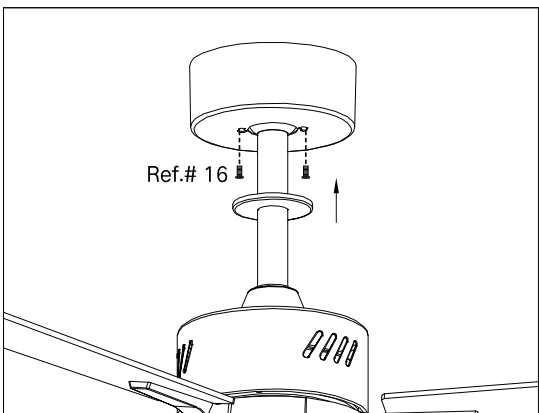
**⚠ WARNING**

The fan must be hung with at least 230 cm of clearance from floor to blades.

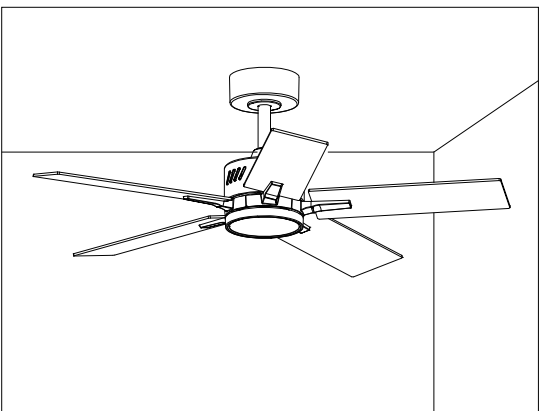
8. Connect the motor power wire (3 line), LED power line (3 line) and mains power to the socket of the receiver. Pls make sure they are connected sucessfully after you hear a click voice.



9. Install canopy and decorative cover. Take out the 2 screws preinstalled on the hanger bracket. Mount the canopy by these two canopy screws. Then push the decorative cover onto the canopy.

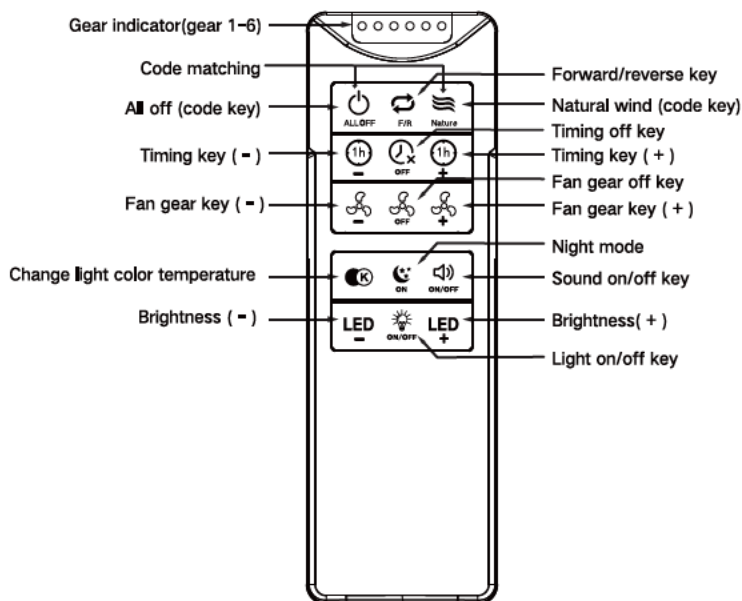


10. The installation is completed.

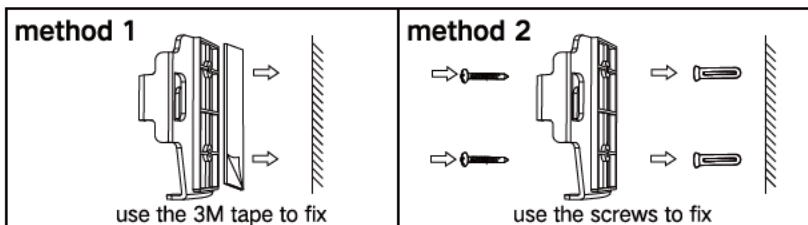


# Remote controller manual

1. To operate the fan, please install **2 AAA batteries(not included)** in the remote controller.
2. If not used for extended periods of time,remove the batteries to prevent damage to the remote controller.
3. Store the remote controller away from excessive temperatures and humidity.
4. Ensure correct battery polarities are in place when using the remote controller. LED indicator flashes each time a button is pressed.
5. Maintains the specific status of lights and fans for **at least 15 seconds** to activate the memory function, ensuring your preferences are saved.



## Remote controller base installation method:



(Use the Accessory bag Ref.#15 for remote controller)

## How to pair the code of the fan and the remote controller?

Within **5 seconds** after putting the battery in, keep pressing the "All Off" + "Natural Wind" two buttons at the same time until you hear a "Di" sound, then the code matching is successful.

**Note:** if the remote controller is lost, pls use a new remote controller to do new code matching, then the **old remote controller** is disabled.