

SAFETY INFORMATION: (Please retain for future reference)

- Always turn off the mains supply before commencing the installation of this fitting .
- This product must be installed in accordance with the national building and wiring regulations, if in doubt consult a competent electrician.
- This is a Class I product and requires an Earth connection – 230 (240) V – 50Hz AC.
- The Product should not be modified , as this may void the product warranty and render the product unsafe.
- We recommend the use of a suitable RCD , capable of carrying the intended load and which is correctly fused.
- Before inserting and replacing a lamp make sure that the power is switched off and the bulb has cooled down. Do not exceed the maximum stated wattage.

POSITION:

- The fitting is IP44 rated and suitable for installation in outdoor locations.
- The fitting is NOT suitable for installation in Marine locations.
- The fitting is suitable for fixing onto a flat, solid surface.
- Ensure sufficient access to the fitting to enable safe maintenance.

LAMP INFORMATION:

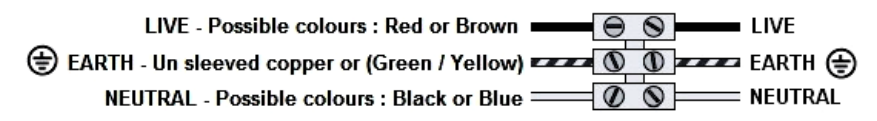
- Do not exceed the maximum rated wattage stated on the lamp holders.
- This fitting is suitable for use energy saving LED bulbs in their maximum available equivalent wattage.

AFTERCARE AND MAINTENANCE:

- Always disconnect power supply when servicing or cleaning.
- Clean only with a soft cloth or sponge using warm soapy water and a non abrasive detergent .

MAINS SUPPLY

LIGHT FITTING

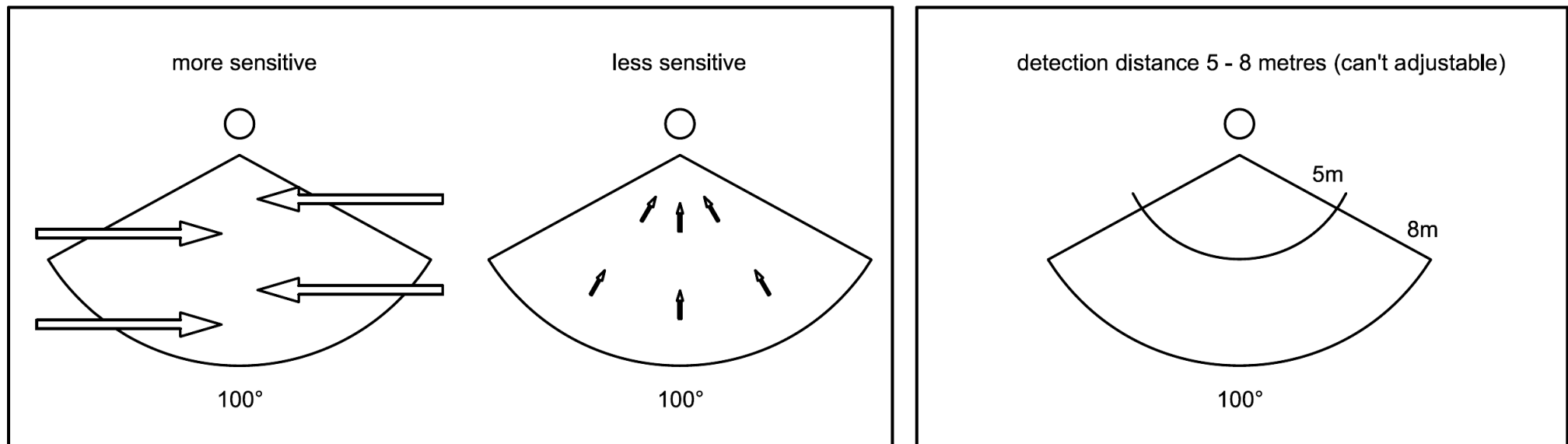


Sensor instructions

1) Outdoor Wall Light with movement sensor

Please read the information below to help you plan the best location for your movement sensor (PIR) wall light. Once a suitable location has been established, follow the installation & wiring instruction overleaf.

1. The unit must be installed in a vertical position.
2. For the best results, fix the product to a solid surface, 1.8m - 2.5m above the ground.
3. Avoid aiming the motion sensor at pools, heating vents, air conditioners or objects which may change temperature rapidly.
4. Try to avoid pointing the unit at trees or shrubs, or where the motion of pets may be detected.
5. The PIR sensor is more sensitive to motion across the detection area than motion towards it, therefore consider this when planning the position of the product.

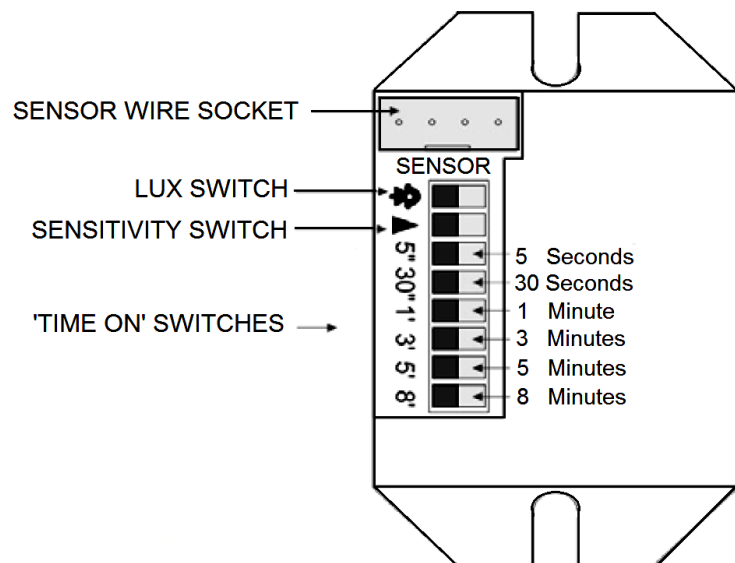


2) Adjusting the PIR sensor

The PIR Sensor on this fitting has various settings to allow adjustment of the PIR operation .Within the fitting there is a 'DIP 'Switch (Control Box)which operates the sensors options .

See below examples Diagram and examples to aid with settings .

A small tool may be required to push the switches .



SETTING EXAMPLES

| | | |
|----------------------------|--|---|
| ☀ ▲ 5" 30" 1' 3' 5' 8' | 1) WORKS ONLY IN DARKNESS 2) LOW SENSITIVITY 3) 3 MINUTE 'TIME ON' | E.G: The fitting will only work during the hours of darkness. The PIR has a low sensitivity.The light will stay on for 3 minutes once activated. |
| ☀ ▲ 5" 30" 1' 3' 5' 8' | 1) WORKS ONLY IN DARKNESS 2) HIGH SENSITIVITY 3) 30 SECOND 'TIME ON' | E.G:The fitting will only work during the hours of darkness.The PIR has a high sensitivity. The light will stay on for 30 seconds once activated. |
| ☀ ▲ 5" 30" 1' 3' 5' 8' | 1) WORKS NIGHT AND DAY 2) HIGH SENSITIVITY 3) 8 MINUTE 'TIME ON' | E.G: The fitting will work all the time. The PIR has high sensitivity. The light will stay on for 8 minutes once activated |

3) Troubleshooting for sensor

A. Lamp fails to light:

1. Check mains supply is ON.
2. Check all electrical connections are correct.
3. Check bulb has been screwed in tightly and has not blown. (Replace bulb).
4. Check sensor detection distance is correctly adjusted (if applicable)
5. This product is designed not to come on during daylight. Check sensor is not detecting stray light. Cover the sensor to test.

B. Lamp stays on:

1. Check manual override function is not selected (if applicable)
2. Check sensor is not being falsely triggered by moving objects, vehicles, trees etc.

STAINLESS STEEL /ALUMINIUM OUTDOOR LUMINARIES

Stainless steel/aluminium enjoys a strong and enduring reputation for long term appearance and structural integrity. But like all materials they may become stained or discoloured over time, impairing the overall look. This brown discoloration is referred to as “tea staining”. Tea staining can be defined as: Discoloration of the surface of stainless steel/aluminium that does not affect the structural integrity or the longevity of the material.

CONTRIBUTING FACTORS:

The relationships between the contributing factors are complex, but generally become increasingly critical closer to marine environments.

ENVIRONMENTAL FACTORS:

Tea staining occurs most commonly within 5 miles of the sea and becomes progressively worse closer to the marine source. However, wind exposure, pollution levels and higher temperatures can create environments where tea staining may occur outside the 5 mile limit. Therefore we recommend not to place this product within 5 miles of the sea/estuary.

MAINTENANCE:

As with most outdoor products occasional maintenance is required to ensure protection from the elements. We would advise that fine grade oil (Such as ‘Baby Oil’ or WD40) is rubbed into the metal sections of the product. Regular treatment should aid the life and appearance of the product.

GUARANTEE:

We will not assume responsibility for corrosion or any other resulting damage to our products where they are installed in areas in which fertilizers or salt are present, either in the air or in the soil, or where our products are installed near to chemical plants etc. with emissions of heavily polluted air.