







ASSEMBLY INSTRUCTION

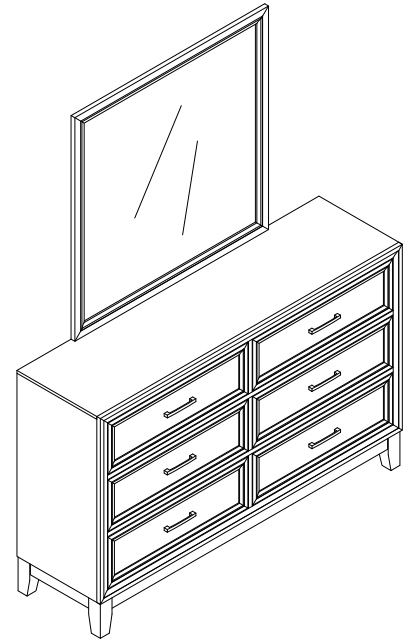
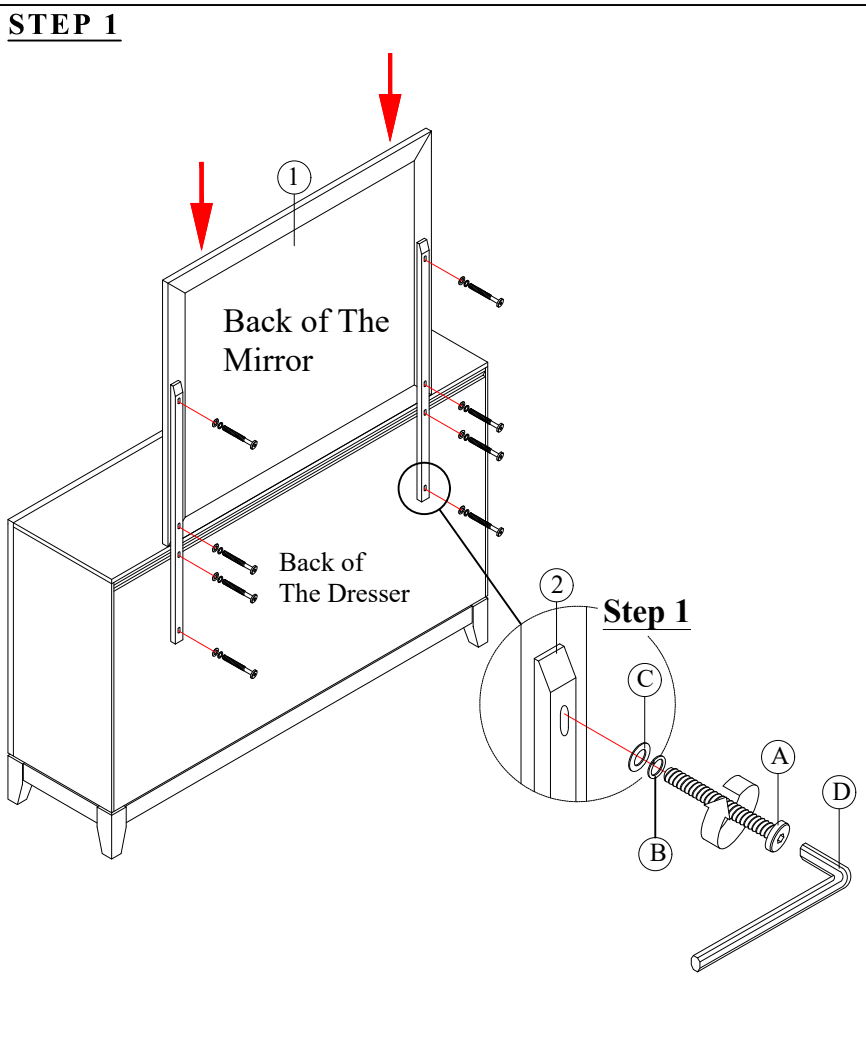
DESCRIPTION : MIRROR

Thank you for purchasing this quality product. Be sure to check all packing material carefully for small parts which may have come loose inside the carton during shipment. Identify and count all parts and compare with the parts list below :

COMPONENT LIST		
ITEM	DESCRIPTION	QTY
1	MIRROR 	1PC
2	MIRROR SUPPORT 	2PCS

3		
ASSEMBLY HARDWARE PACK		
ITEM	DESCRIPTION	QTY
A	JCBC SCREW M6 x 35mm 	8pcs
B	SPRING WASHER M6 x 13mm 	8pcs
C	FLAT WASHER M6 x 19mm x 2.4mm 	8pcs
D	ALLEN KEY M4 	1pc

STEP 1



COMPLETE ASSEMBLE

ASSEMBLY TIPS :

1. Remove hardware from box and sort by size.
2. Please check to see that all hardware and parts are present prior start of assembly.
3. Please follow attached instructions in the same sequence as numbered to assure fast and easy assembly.



WARNING !

1. Don't attempt to repair or modify parts that the broken or defective. Please contact the store immediately.
2. This product is for home use only and not intended for commercial establishments.