



Bathroom Exhaust Fan-Light

TFV70L

DESIGN FEATURES

This low profile 70 CFM fan/light features a round designer white grille for easy alignment. The 60 Watt light compartment includes an aluminum reflector and heat/U.V. resistant lens. Independently tested for CFM and some ratings. (UL) listed.

GRILLE

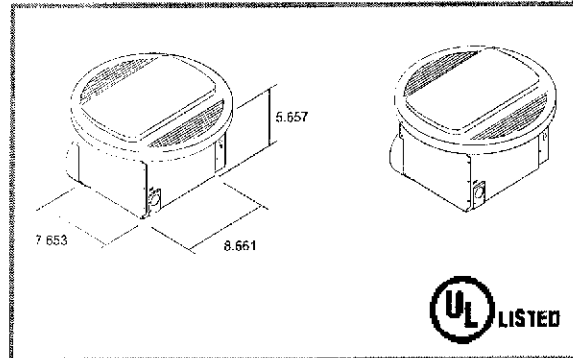
- ✓ Polycarbonate heat resistant lens with U.V. inhibitors
- ✓ Attractive low profile designer white polymer
- ✓ Round design for easy installation

MOTOR

- ✓ Easy removal and installation of motor assembly—key hole mounting
- ✓ Permanently lubricated motor with plug for quick activation
- ✓ Precision balanced impeller for quiet operation
- ✓ Mounting bracket included

HOUSING

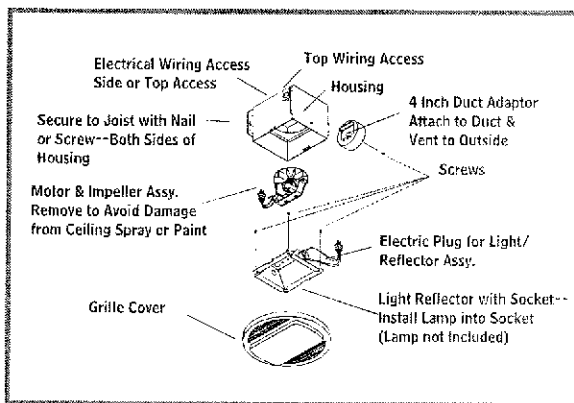
- ✓ Galvanized for humid conditions and various attic temperatures
- ✓ Built-in mounting tabs for quick installation
- ✓ Gauge markings for ceiling thickness
- ✓ 4" Duct adaptor with built-in damper
- ✓ Built-in junction box for easy wiring
- ✓ 60 Watt capacity light compartment with polished aluminum reflector



PRODUCT SPECIFICATIONS

Air Delivery:	70 CFM
Sound Level:	3.5 Sones
Dimensions:	
Housing:	7.653" x 8.661" x 5.657"
Grille:	12.2" dia. x 1.97"
Material & Finish:	
Housing:	Galvanized
Grille:	Designer White Polymer
Motor:	Permanently lubricated, plug-in, thermally protected, 120V, 60Hz, .70A
Blower Wheel:	Precision balanced impeller
Duct Size:	4 in. diameter
For Room Size:	
Bath:	65 sq. ft.
Other:	85 sq. ft.
Lamp:	60 Watt (Not included)

INSTALLATION



Note: Product specifications are subject to change.