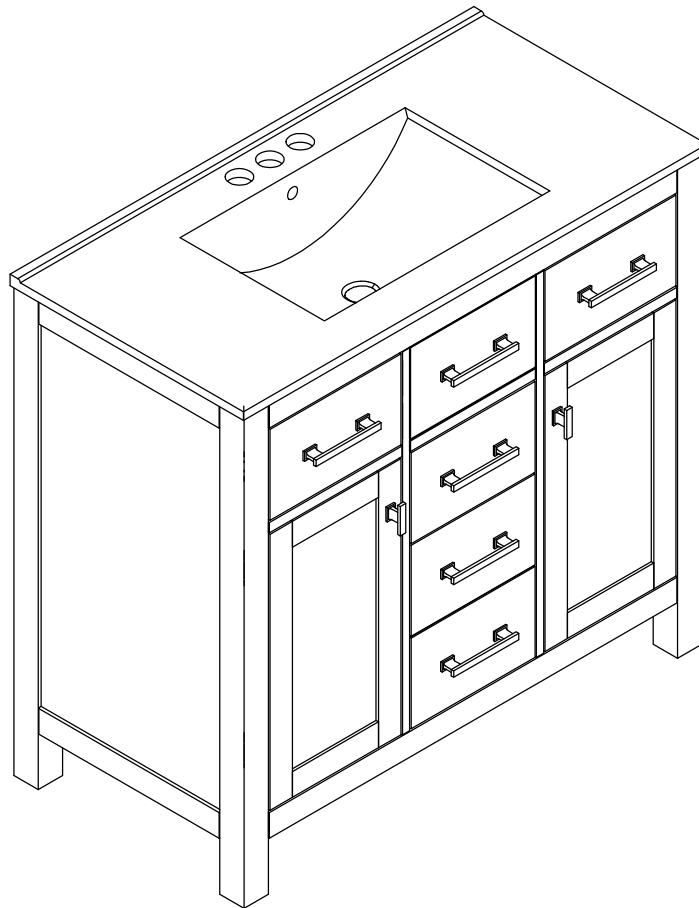


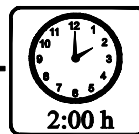
ASSEMBLY INSTRUCTIONS

36INCH BATH VANITY (COMBO)

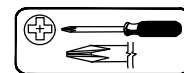


Thank you for purchasing this quality product. Be sure to check all packing material carefully for small parts which may have come loose inside the carton during shipment. Separate, identify and count all parts and hardware. Compare with the parts list to be sure all parts are present.
"DO NOT TIGHTEN SCREWS UNTIL COMPLETELY ASSEMBLED"

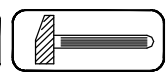
*** Use of power tool to assemble this product will invalidate any claim and damage this product making unsafe !!!**
*** Please assemble on a clean soft surface to avoid damage.**



Tools Required



(Not included)



(Not included)

IMPORTANT:

PLEASE READ INSTRUCTION BEFORE STARTING THE ASSEMBLY

PLEASE DO NOT RETURN TO STORE



**Please do not return this product to the retailer!!
We are able to assist you in ANY way**

If you find that you have any trouble with assembly or missing or damaged parts please contact the seller.

Before Installation

Important – Please read these instructions fully before starting assembly

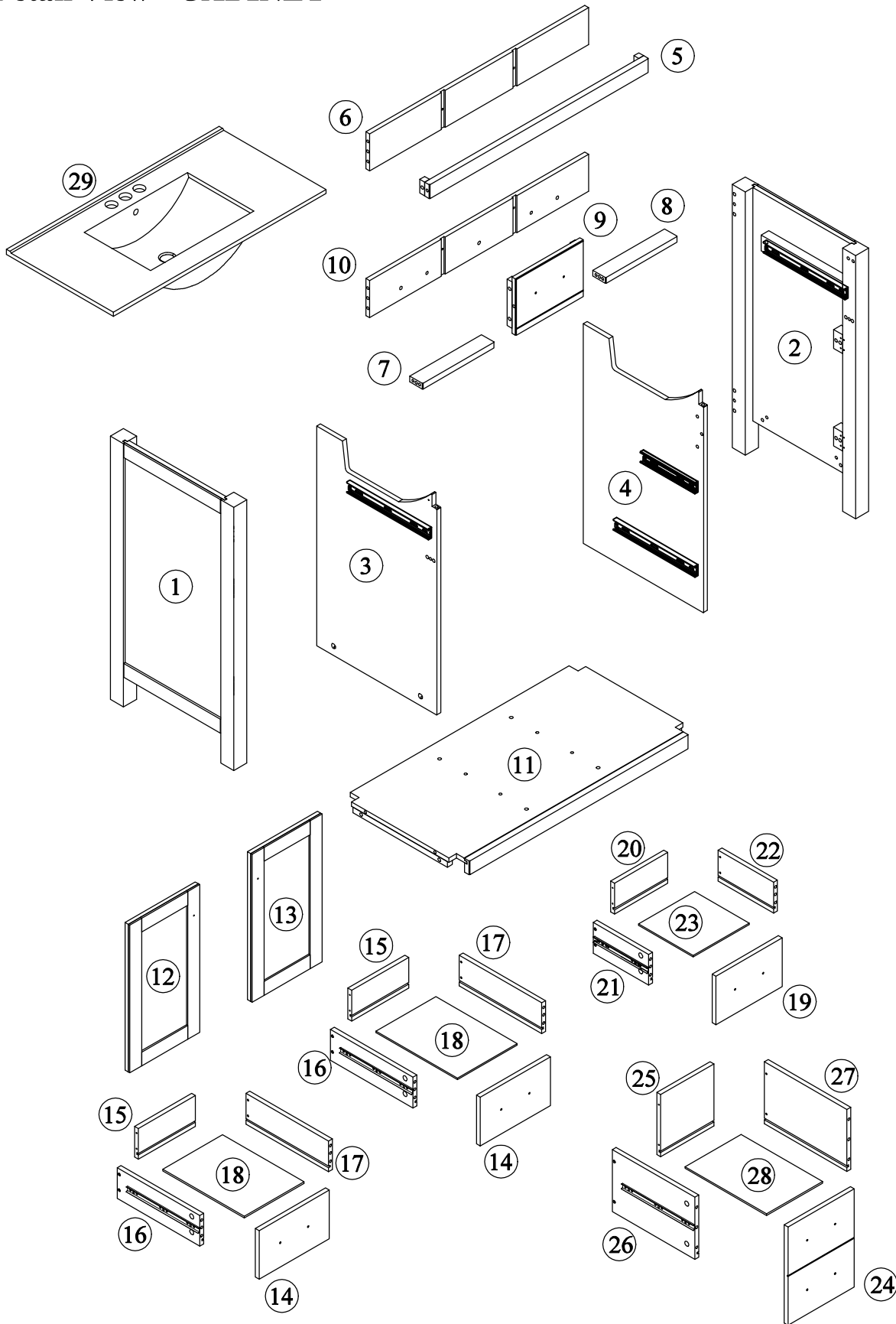
Thank you for purchasing this quality product. Be sure to check all packing materials carefully for small parts, which may have come loose inside the carton during shipment. Identify and count all items according to the PARTS LIST and/or HARDWARE LIST shown below. Check you have all the components and tools listed on the following pages.

- We recommend that you assemble this product with the assistance of another person; this will make the assembly easier, and will help eliminate damage to the product or injury to persons during assembly.
- Please do not over tighten screws or bolts until the assembly is completed.
- Keep children and animal away from the work area, small parts could choke if swallowed.
- Please put all parts on a non-abrasive floor before assembly, and follow the assembly steps to assemble your newly purchased product correctly and efficiently.

Cam Lock Assembly Instructions

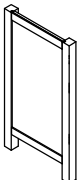
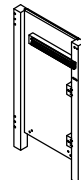
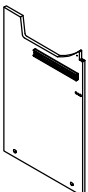

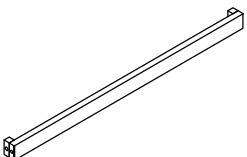
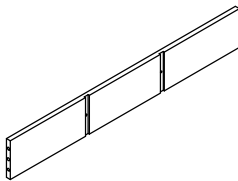
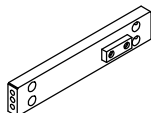
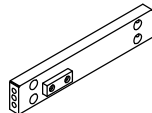
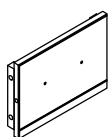
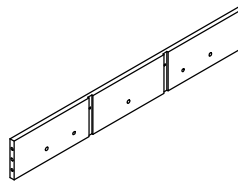
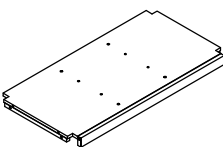
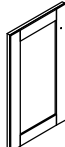
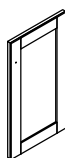
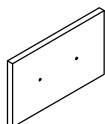
	<p>Diagram A</p>	<p>Insert Cam Bolt into hole as shown in diagram A.</p>
	<p>Diagram B</p>	<p>Make sure not to insert the Cam Bolt: Too deep as shown in figure B as this will cause the Cam Lock to be misaligned and unable to interlock properly.</p>
	<p>Diagram C</p>	<p>Also avoid inserting the Cam Bolt too close to the surface of the hole as shown in figure C, as this will cause the Cam Lock to be too loose, and not interlock properly.</p>
		<p>Connect the panels together.</p>
	<p>ARROW SIGN</p>	<p>Insert the Cam Lock so the side opening fits over the head of the Cam Bolt.</p>
		<p>To tighten the Cam Lock, turn it clockwise on half a turn with a flat screwdriver. <i>*Do not use an automatic screwdriver as it may bend or break if too much power is imposed.</i></p>

Detail View - CABINET

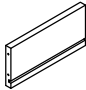
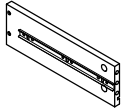
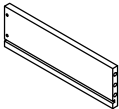
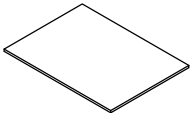
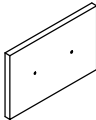
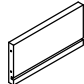
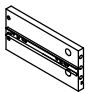
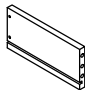
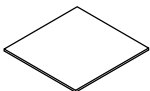
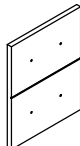
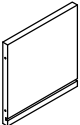
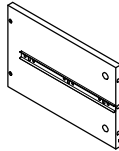
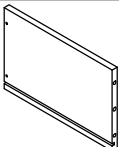
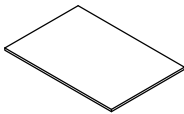
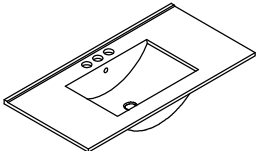


Identifying the Hardware-Identify the hardware using the illustrations below.

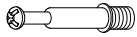



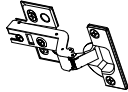
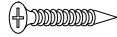
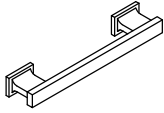









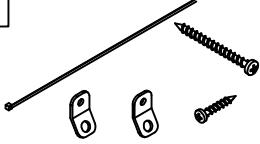
Part List

<p>1</p>  <p>Side Panel (L) - 1pc</p>	<p>2</p>  <p>Side Panel (R) - 1pc</p>
<p>3</p>  <p>Mid Panel (L) - 1pc</p>	<p>4</p>  <p>Mid Panel (R) - 1pc</p>
<p>5</p>  <p>Top Crossbar Front - 1pc</p>	<p>6</p>  <p>Top Panel Rear - 1pc</p>
<p>7</p>  <p>Mid Crossbar (L) - 1pc</p>	<p>8</p>  <p>Mid Crossbar (R) - 1pc</p>
<p>9</p>  <p>Drawer Face - 1pc</p>	<p>10</p>  <p>Bottom Panel Rear - 1pc</p>
<p>11</p>  <p>Bottom Frame - 1pc</p>	<p>12</p>  <p>Cabinet Door (L) - 1pc</p>
<p>13</p>  <p>Cabinet Door (R) - 1pc</p>	<p>14</p>  <p>Top Drawer Face - 2pcs</p>

Part List

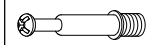
<p>15</p>  <p>Top Back Panel - 2pcs</p>	<p>16</p>  <p>Top Drawer Side Panel (L) - 2pcs</p>
<p>17</p>  <p>Top Drawer Side Panel (R) - 2pcs</p>	<p>18</p>  <p>Top Drawer Panel Bottom - 2pcs</p>
<p>19</p>  <p>Mid Drawer Face (A) - 1pc</p>	<p>20</p>  <p>Mid Drawer Back Panel (A) - 1pc</p>
<p>21</p>  <p>Mid Drawer Side Panel (L-A) - 1pc</p>	<p>22</p>  <p>Mid Drawer Side Panel (R-A) - 1pc</p>
<p>23</p>  <p>Mid Drawer Panel Bottom (A) - 1pc</p>	<p>24</p>  <p>Mid Drawer Face (B) - 1pc</p>
<p>25</p>  <p>Mid Drawer Back Panel (B) - 1pc</p>	<p>26</p>  <p>Mid Drawer Side Panel (L-B) - 1pc</p>
<p>27</p>  <p>Mid Drawer Side Panel (R-B) - 1pc</p>	<p>28</p>  <p>Mid Drawer Panel Bottom (B) - 1pc</p>
<p>29</p>  <p>Sink - 1pc</p>	

Hardware List

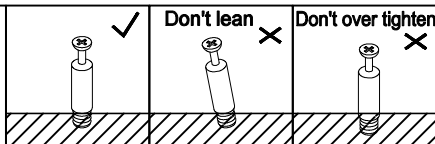
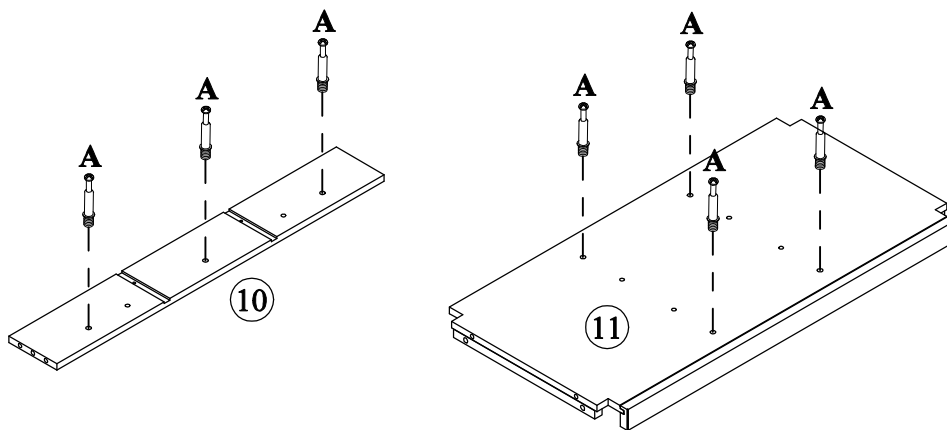
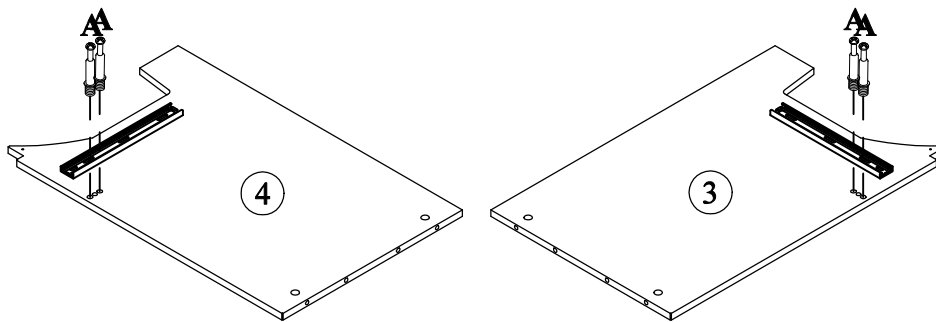
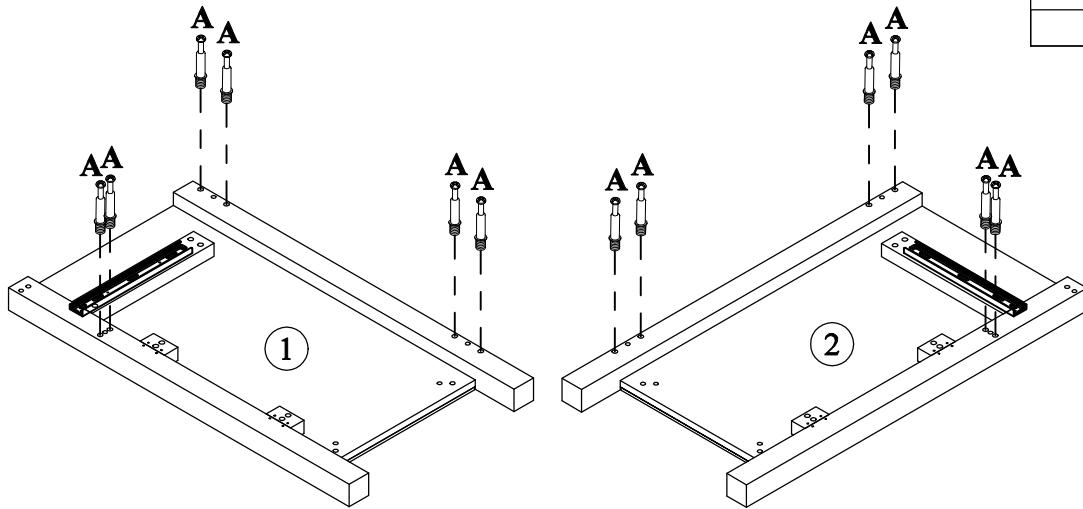
A  ø6x35mm	B  ø14.5x12mm	C  ø13x1/4"x28mm
Three in one bolts(39pcs)	Three in one lock(39pcs)	Hex-Head bolts(10pcs)
D  ø1/4"x16x1mm	E  Damping hinge (4pcs)	F  ø7xø3.5x15mm
Washer(10pcs)	Damping hinge (4pcs)	Flat head screw (24pcs)
G  Handle (6pcs)	H  Handle (2pcs)	I  ø5/32"x15mm
Handle (6pcs)	Handle (2pcs)	Handle screw (12pcs)
J  ø5/32"x19mm	P  L-Bracket (2pcs)	Q  ø7xø3.5x12mm
Handle screw (2pcs)	L-Bracket (2pcs)	Round head screw (4pcs)
R  ø8xø4x25mm	S  ø8xø4x32mm	T  ø8x30mm
Round head screw(4pcs)	Round head screw(16pcs)	Wood dowel(40pcs)
U  4mm	V  Anti fall hardware(1set)	
Allen key(1pc)	Anti fall hardware(1set)	

STEP: 1



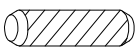
A

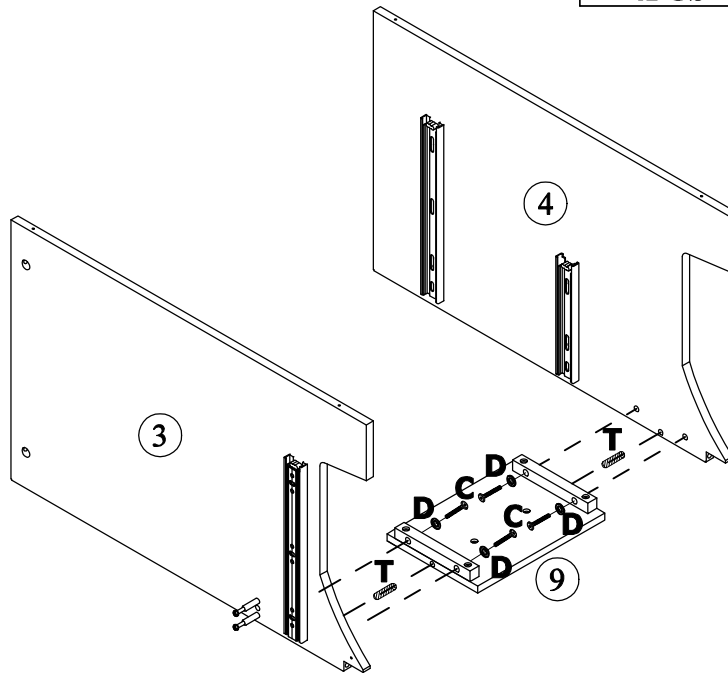


23PCS






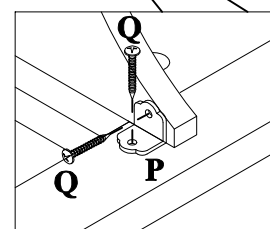
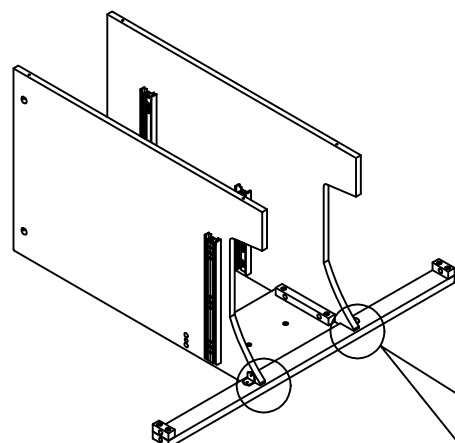
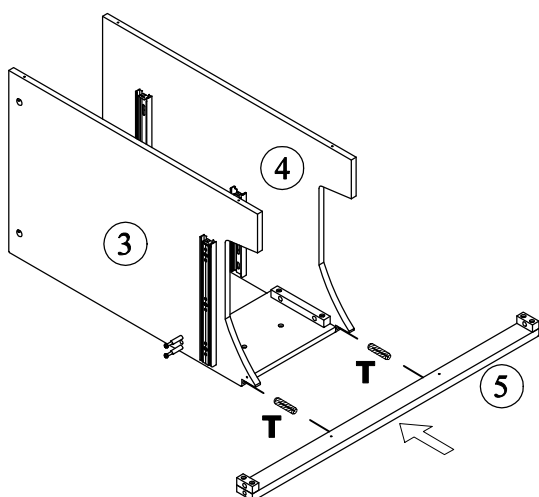
STEP: 2

C	D	T
		
4PCS	4PCS	2PCS


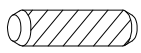


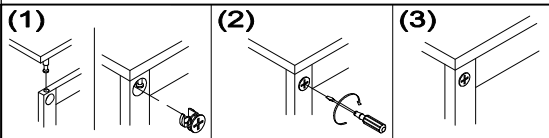
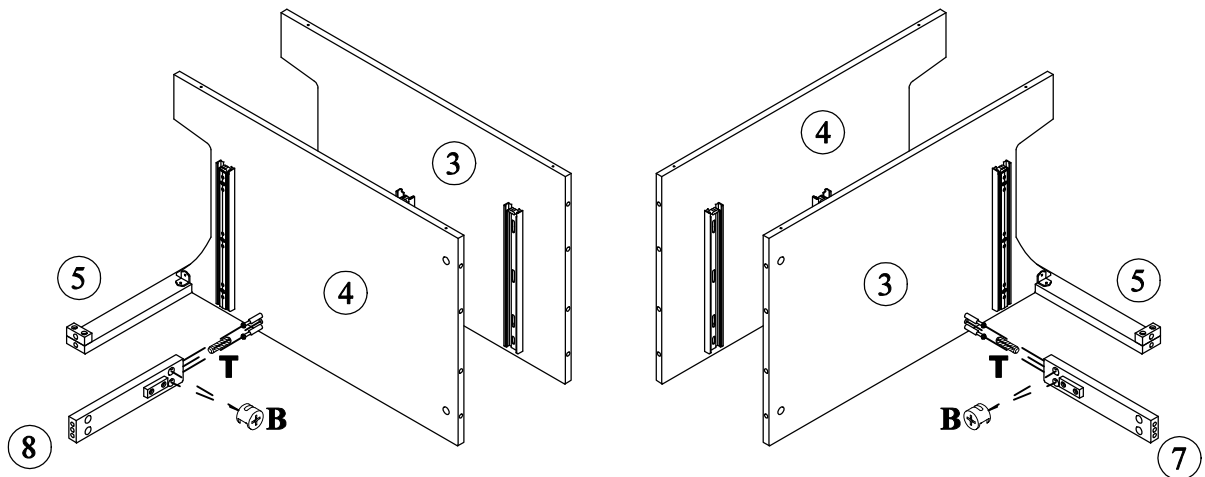
STEP: 3

P	Q	T
		
2PCS	4PCS	2PCS


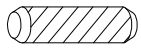


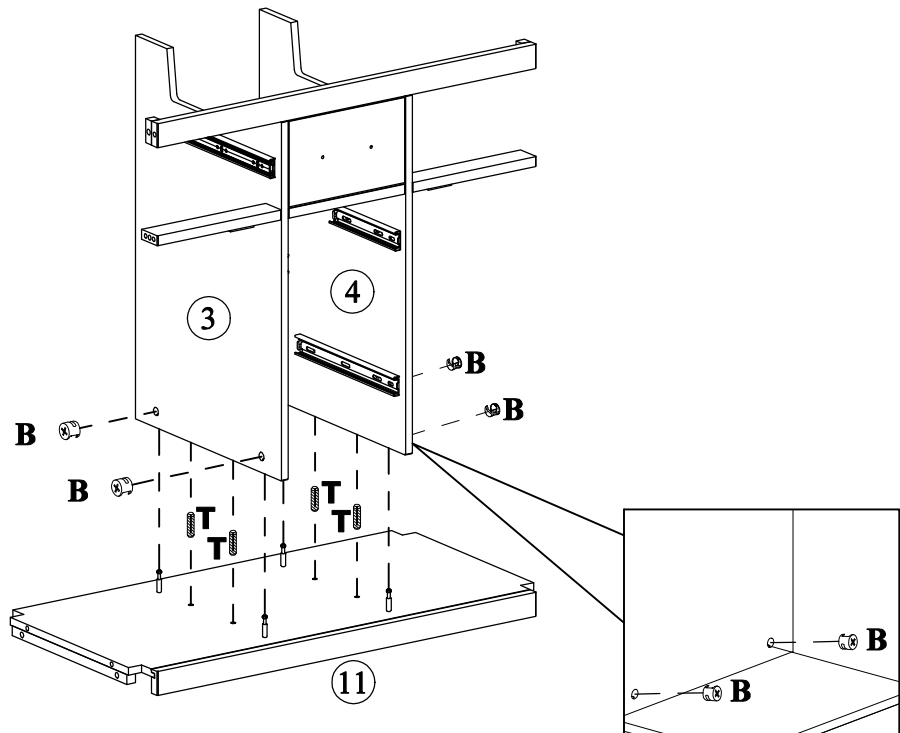
STEP: 4

B		T	
	4PCS		2PCS






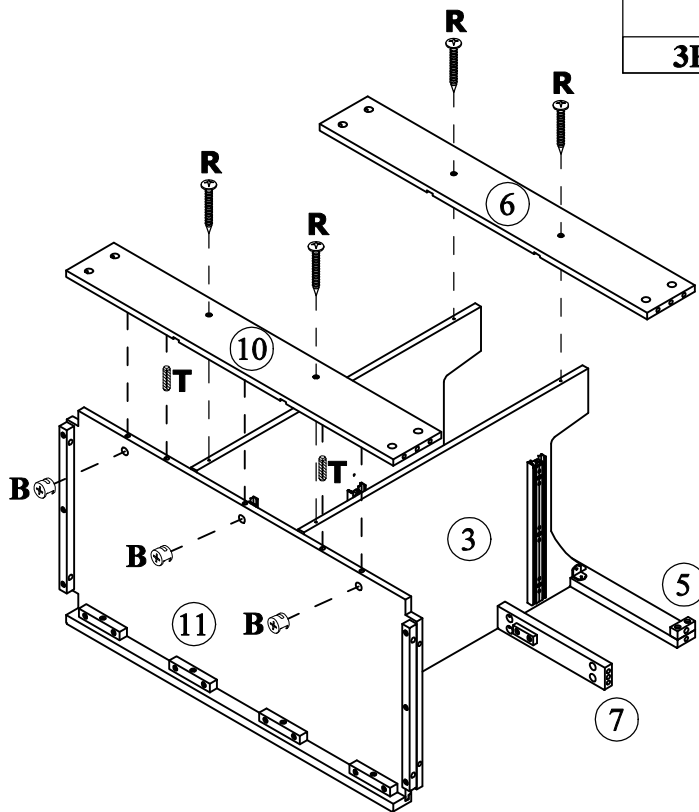
STEP: 5

B		T	
	4PCS		4PCS




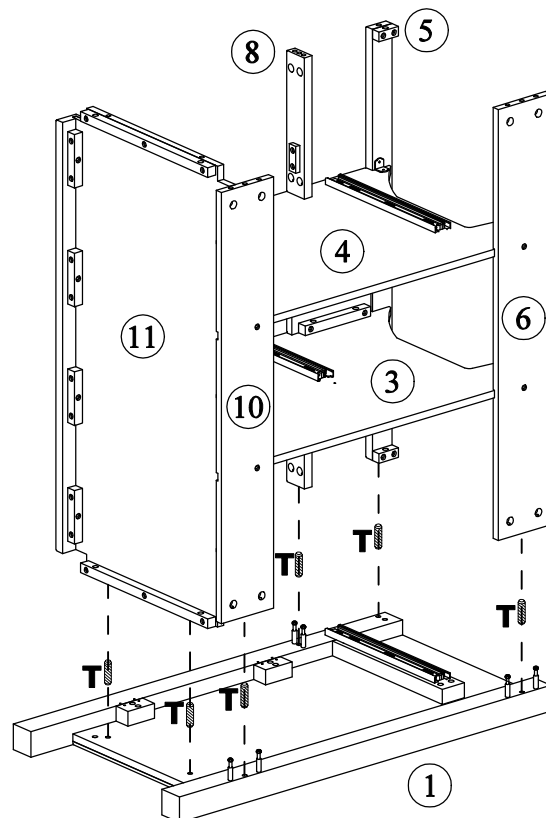
STEP: 6

B		T		R	
	3PCS		2PCS		4PCS






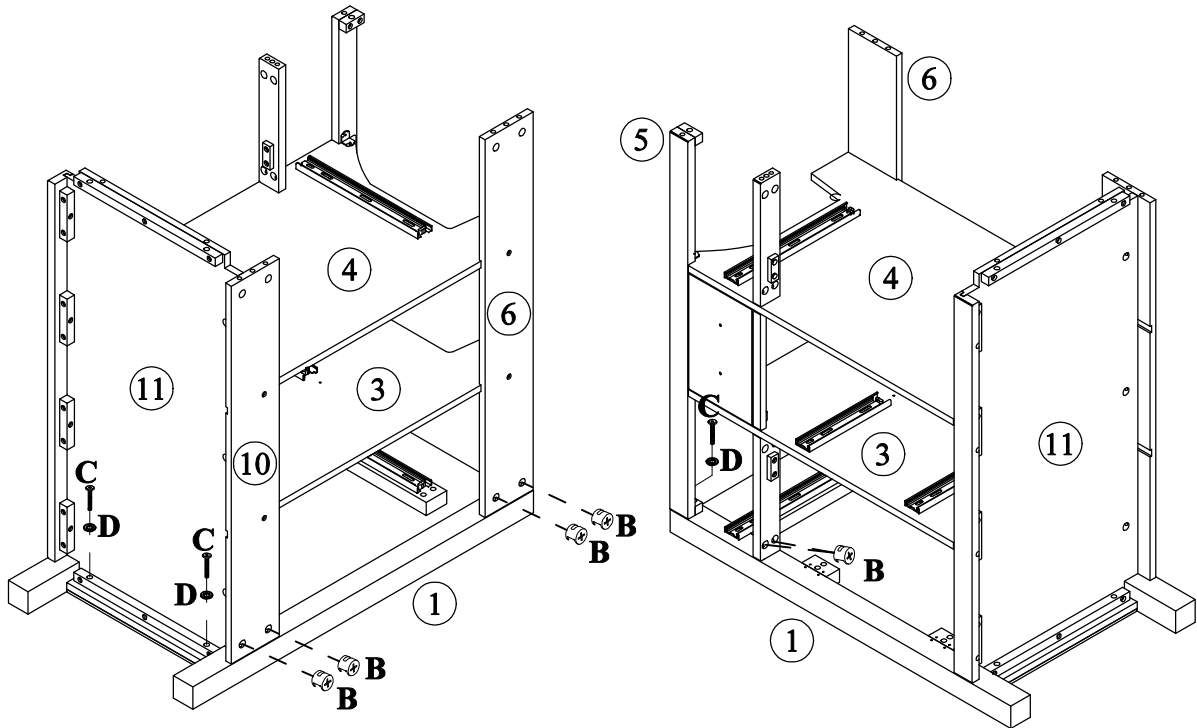
STEP: 7

T	
	6PCS




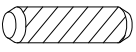


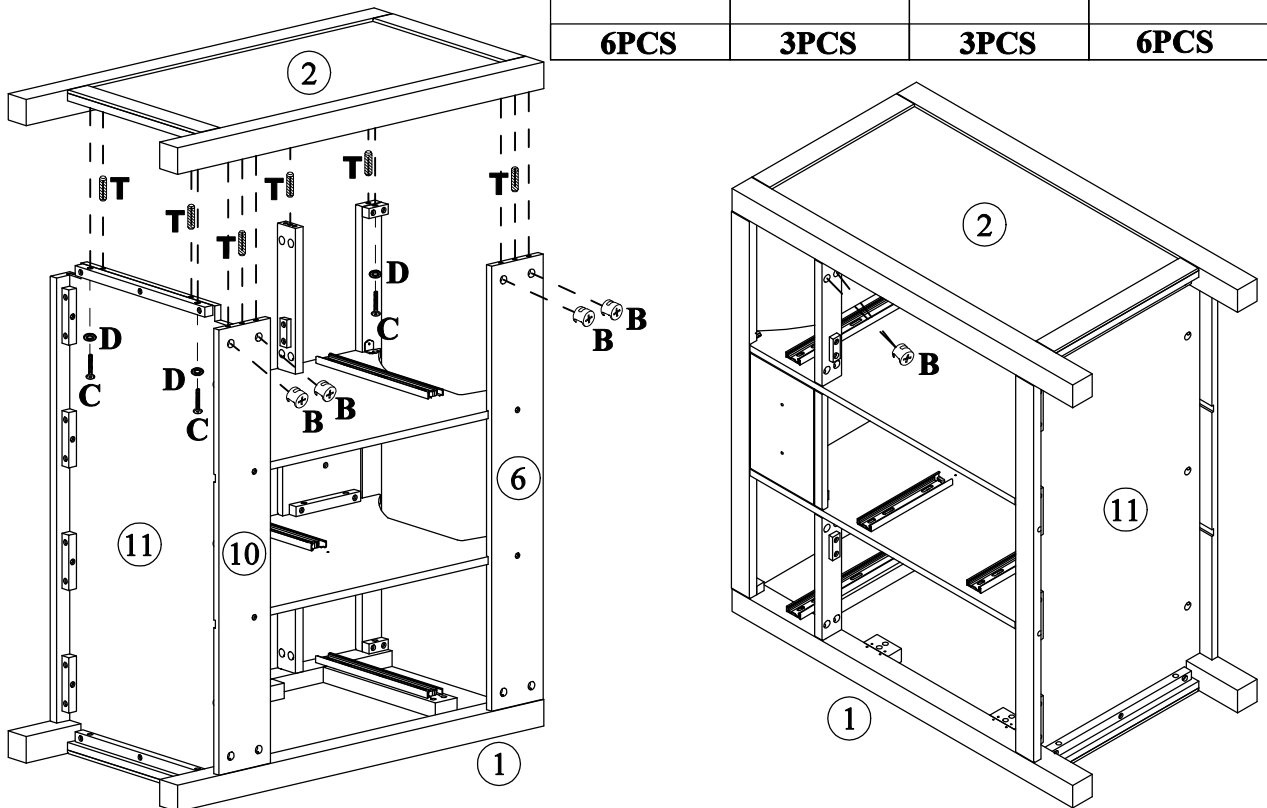
STEP: 8

B	C	D
		
6PCS	3PCS	3PCS

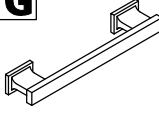
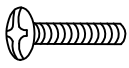


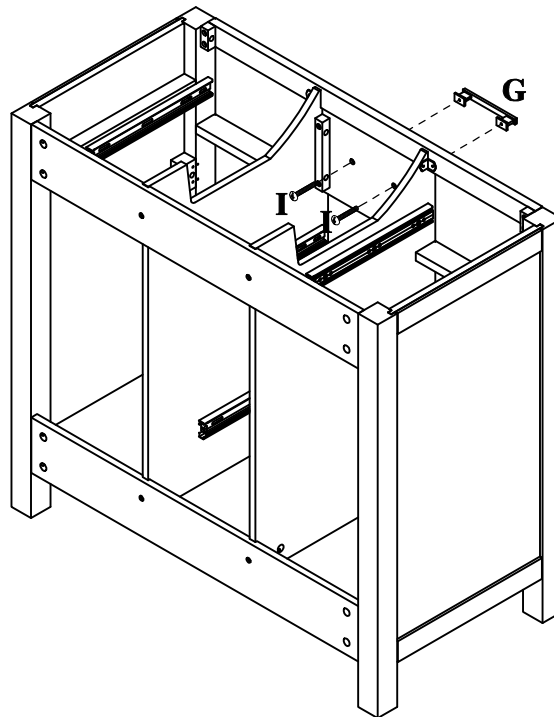
STEP: 9

B	C	D	T
			
6PCS	3PCS	3PCS	6PCS


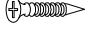


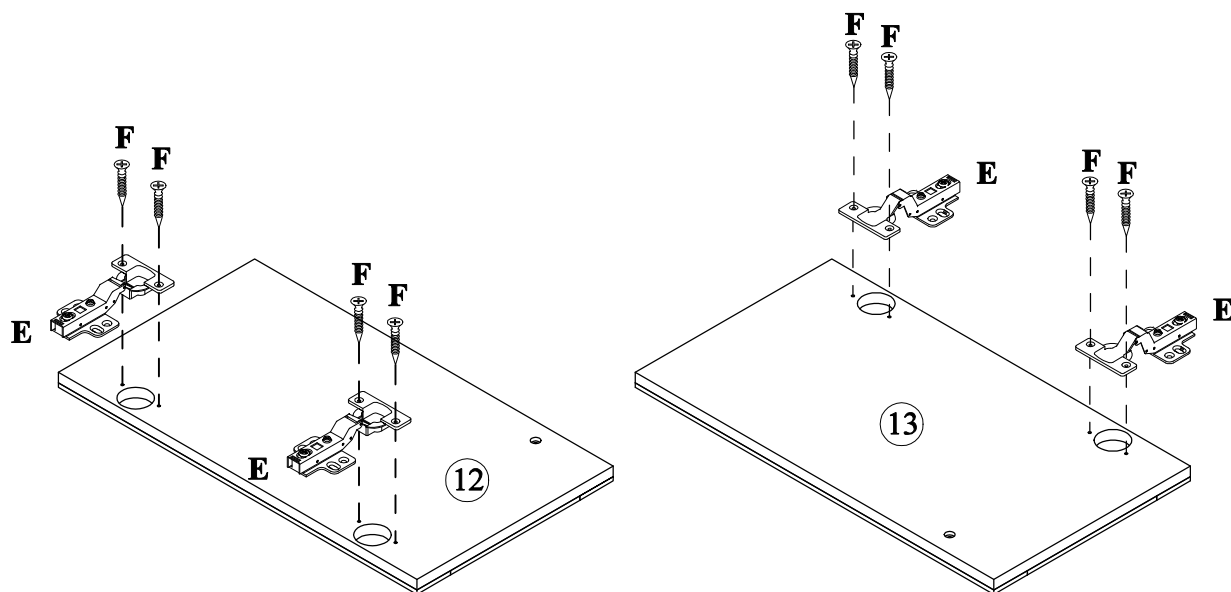
STEP: 10

G		I	
1PC		2PCS	


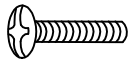
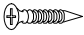


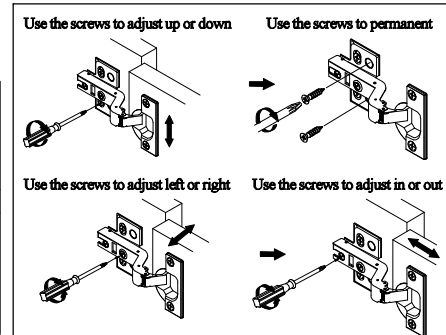
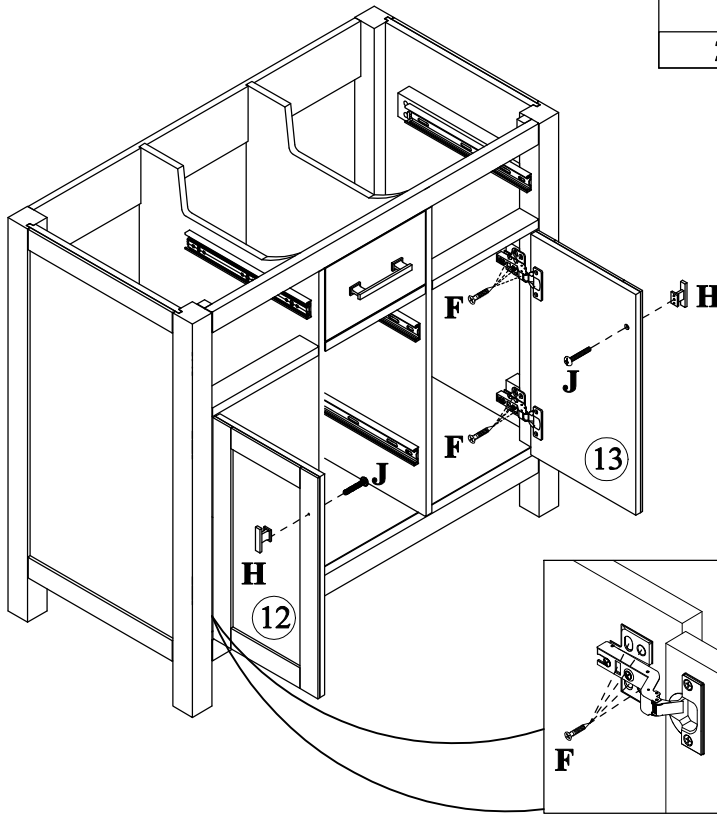
STEP: 11

E		F	
4PCS		8PCS	

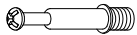


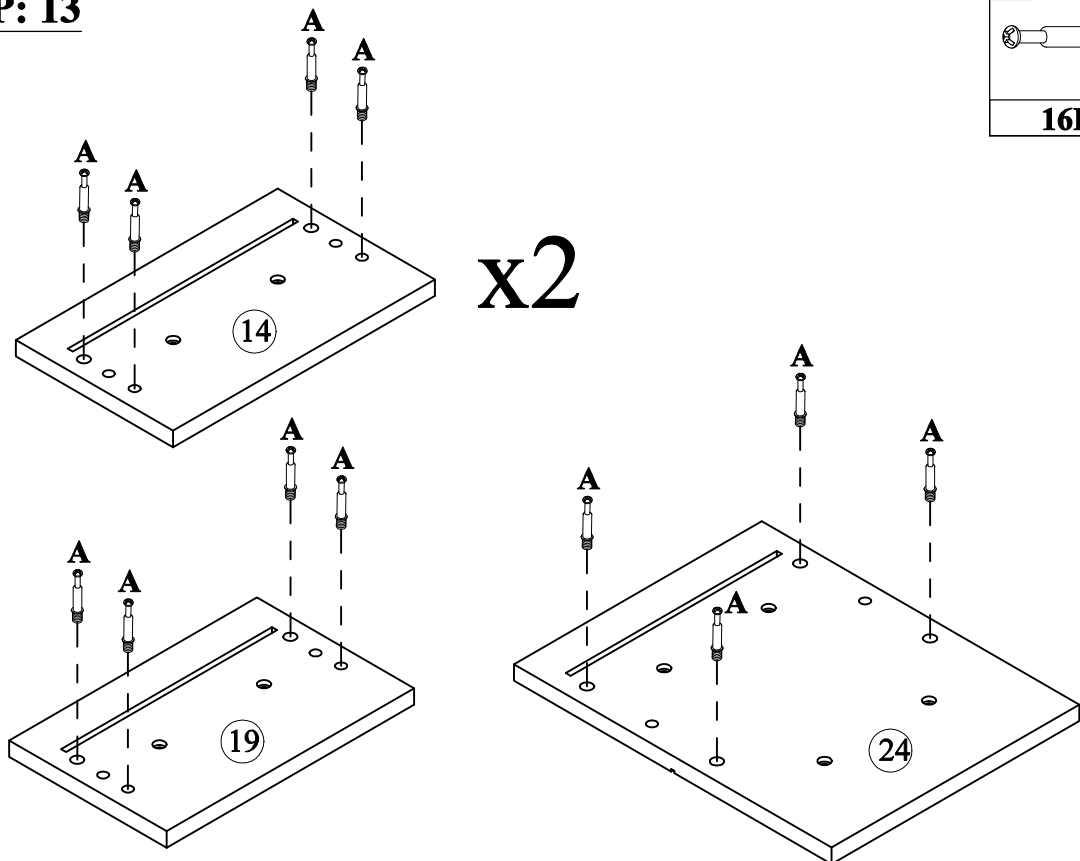
STEP: 12

H		J		F	
2PCS		2PCS		16PCS	



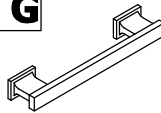
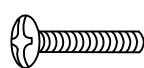
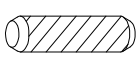


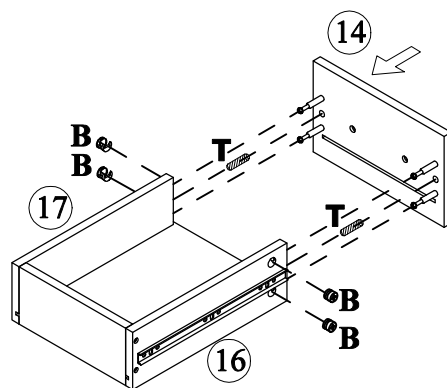
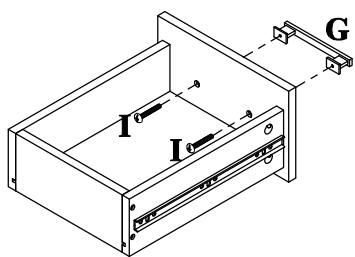
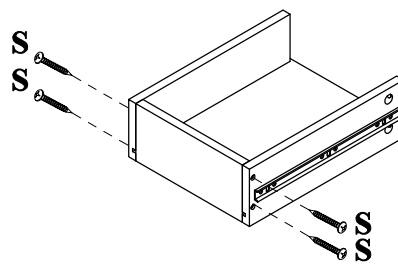
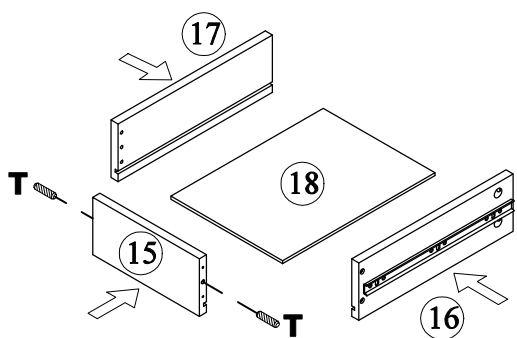
STEP: 13

A	
16PCS	





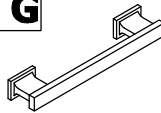
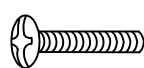

STEP: 14

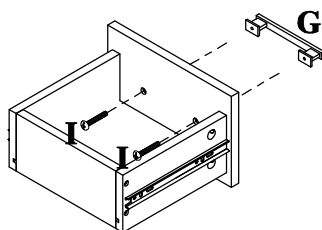
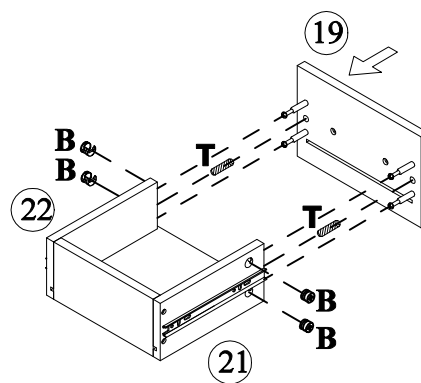
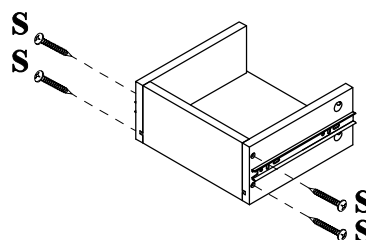
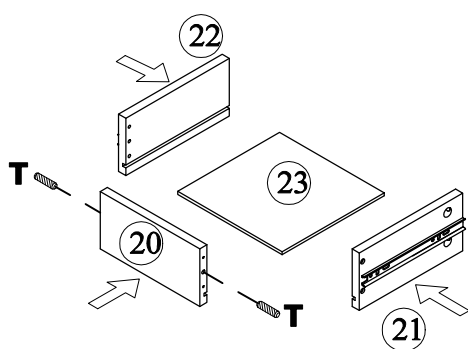
B		S		G		I		T	
8PCS		8PCS		2PCS		4PCS		8PCS	





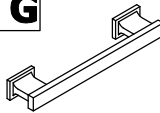

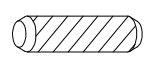
x2

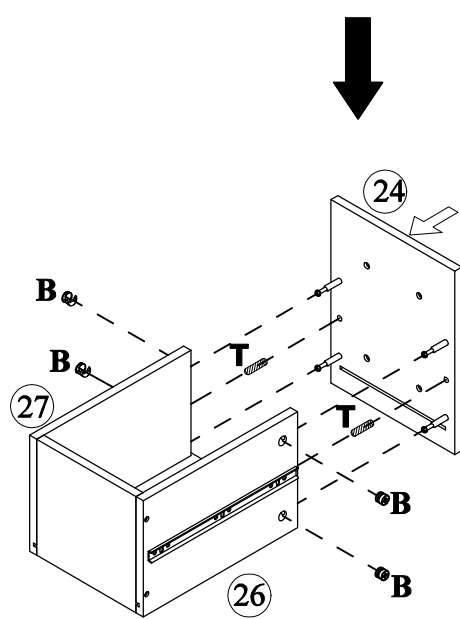
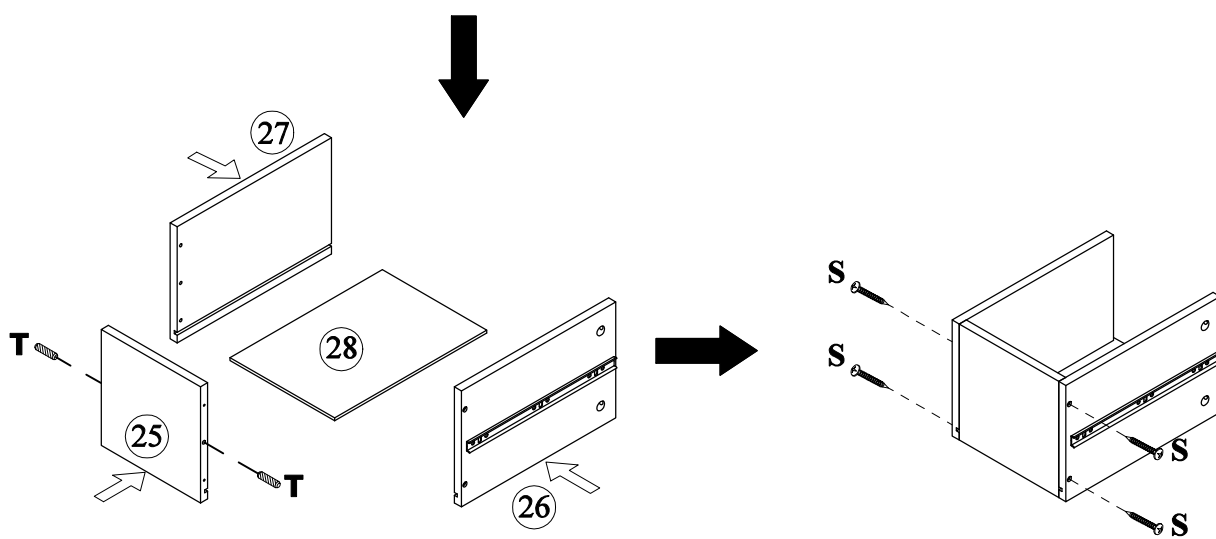
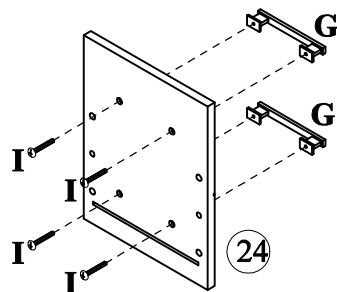
STEP: 15

B		S		G		I		T	
4PCS		4PCS		1PC		2PCS		4PCS	

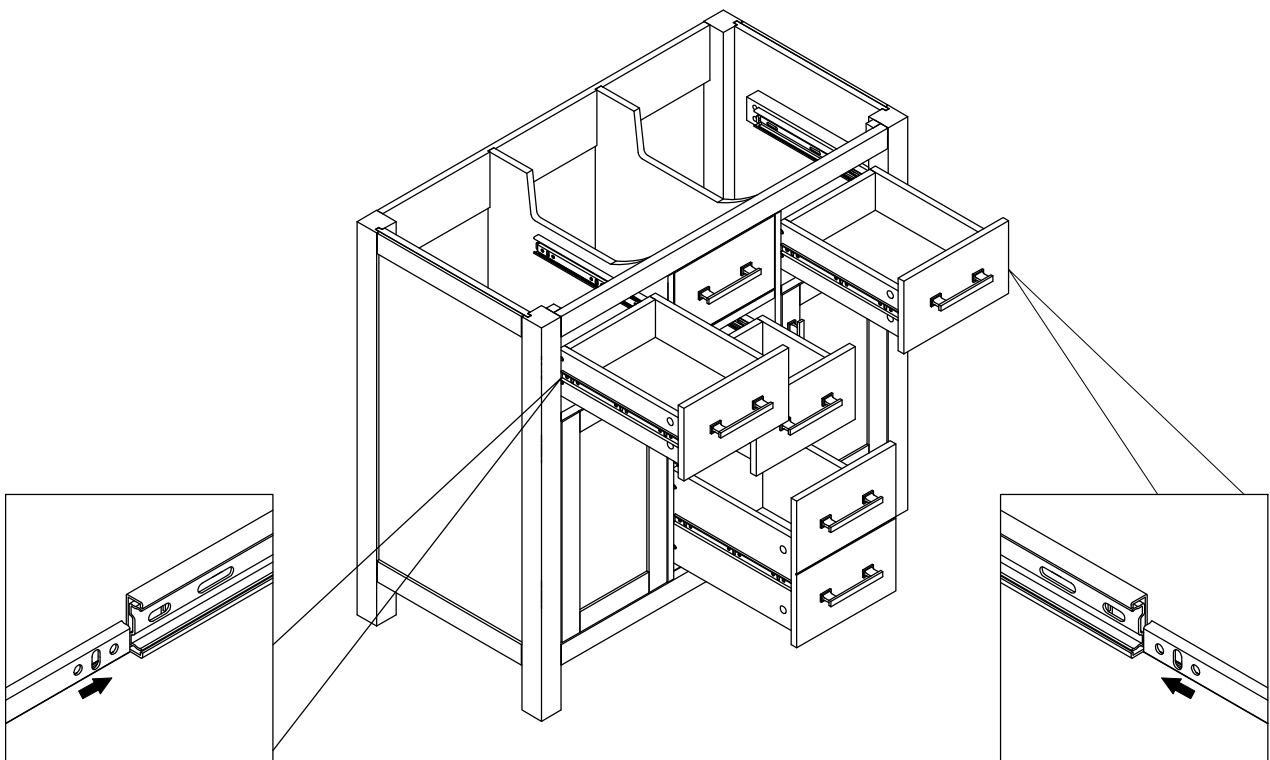


STEP: 16

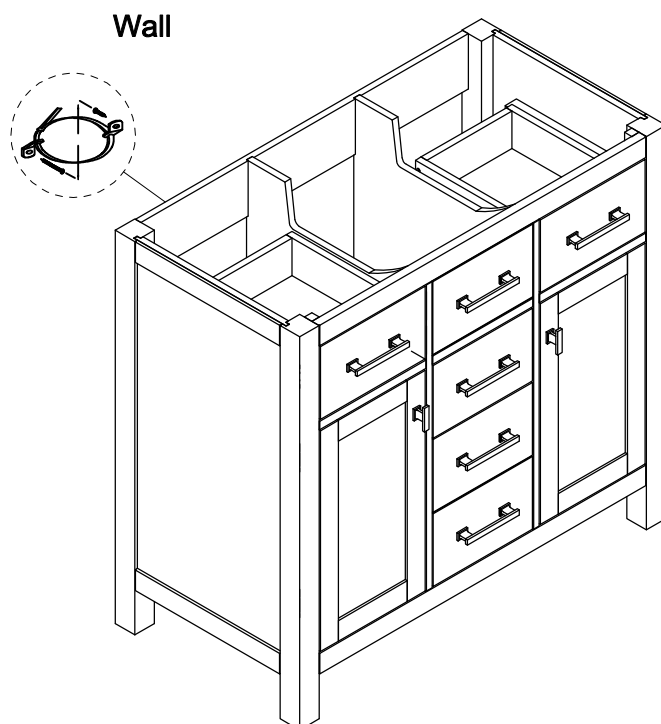
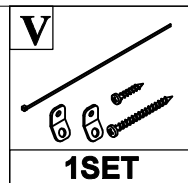
B		S		G		I		T	
4PCS		4PCS		2PCS		4PCS		4PCS	



STEP: 17

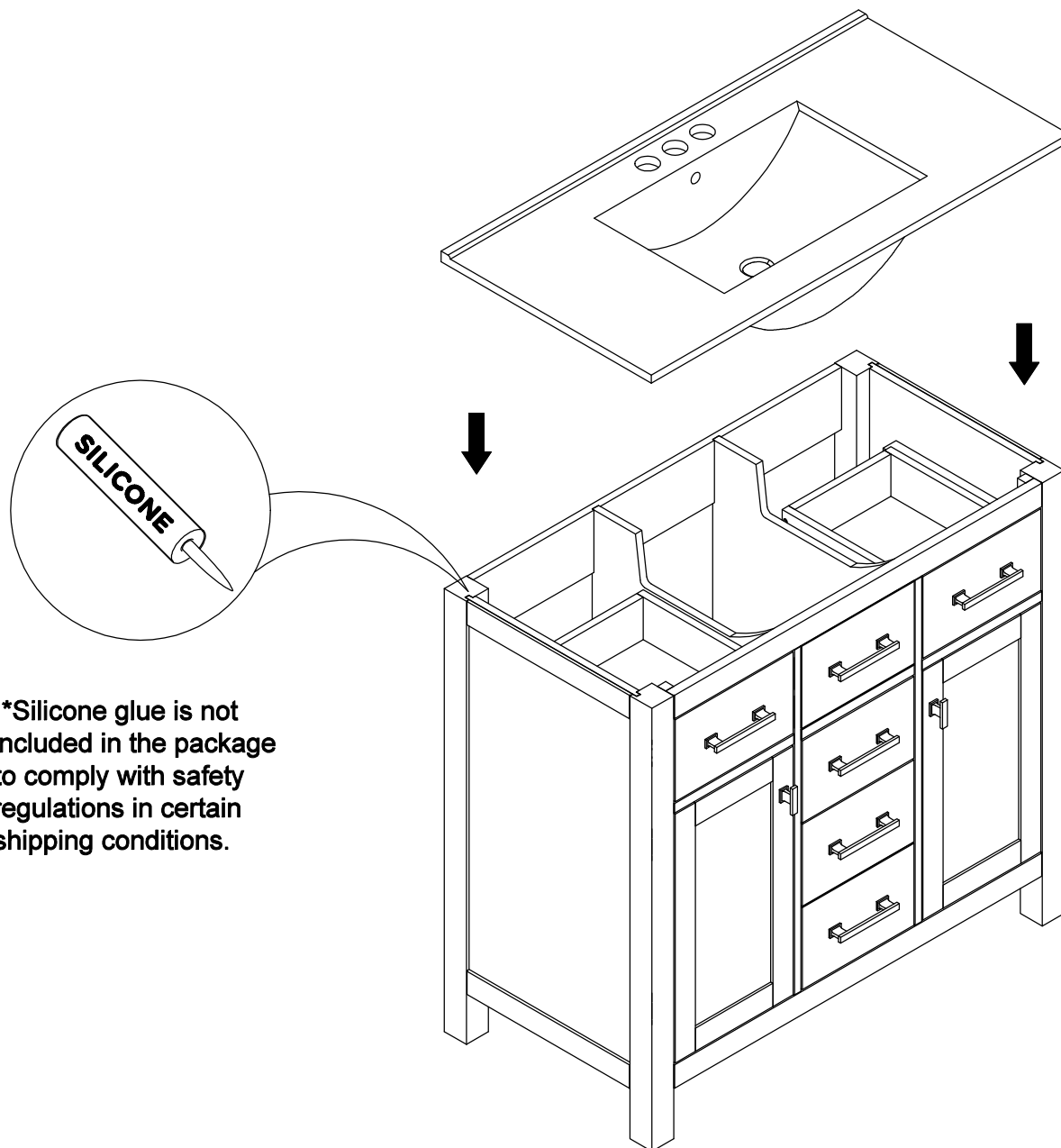


STEP: 18



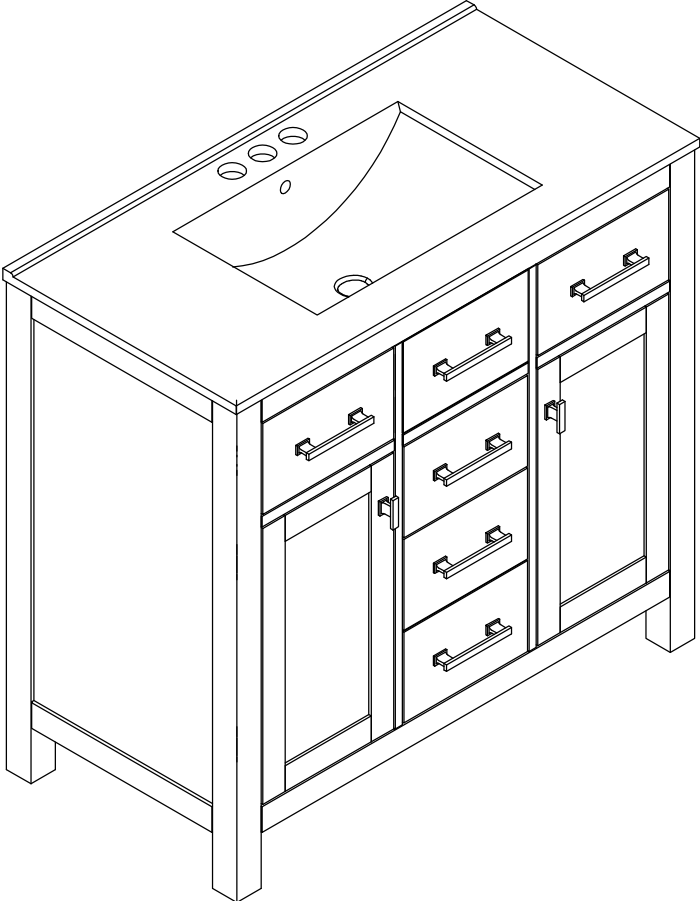
STEP: 19

**Install the sink on the cabinet with glue.
Let stand for 24 hours**

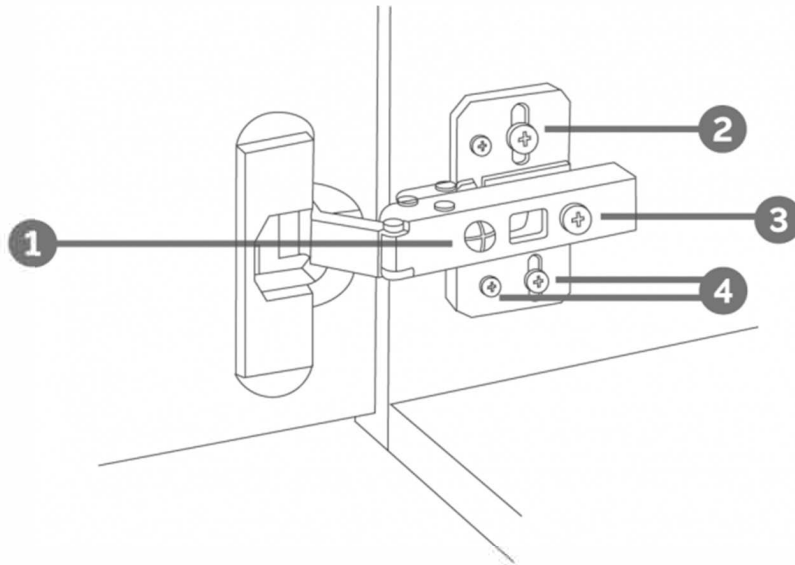


***Silicone glue is not included in the package to comply with safety regulations in certain shipping conditions.**

STEP: 20

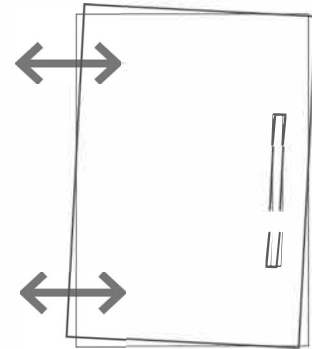


HINGE ADJUSTMENTS



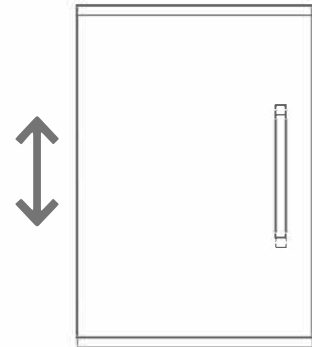
1 Sideways / Tilt adjustment

Turn the screw
clockwise to move the door further away from
the side of the cabinet
anticlockwise to move the door closer to the
side of the cabinet



2 4 Height adjustment

While supporting the weight of the door, turn the
screws
clockwise to move the door up
anticlockwise to move the door down



3 Forward and back adjustment

If the gap between the back of the door and the
cabinet is too small, and the door may not close
fully. Turn the screw
clockwise to decrease the gap between the
door and the cabinet
anticlockwise to increase the gap between the
door and the cabinet

