

KING BED

ASSEMBLY INSTRUCTION

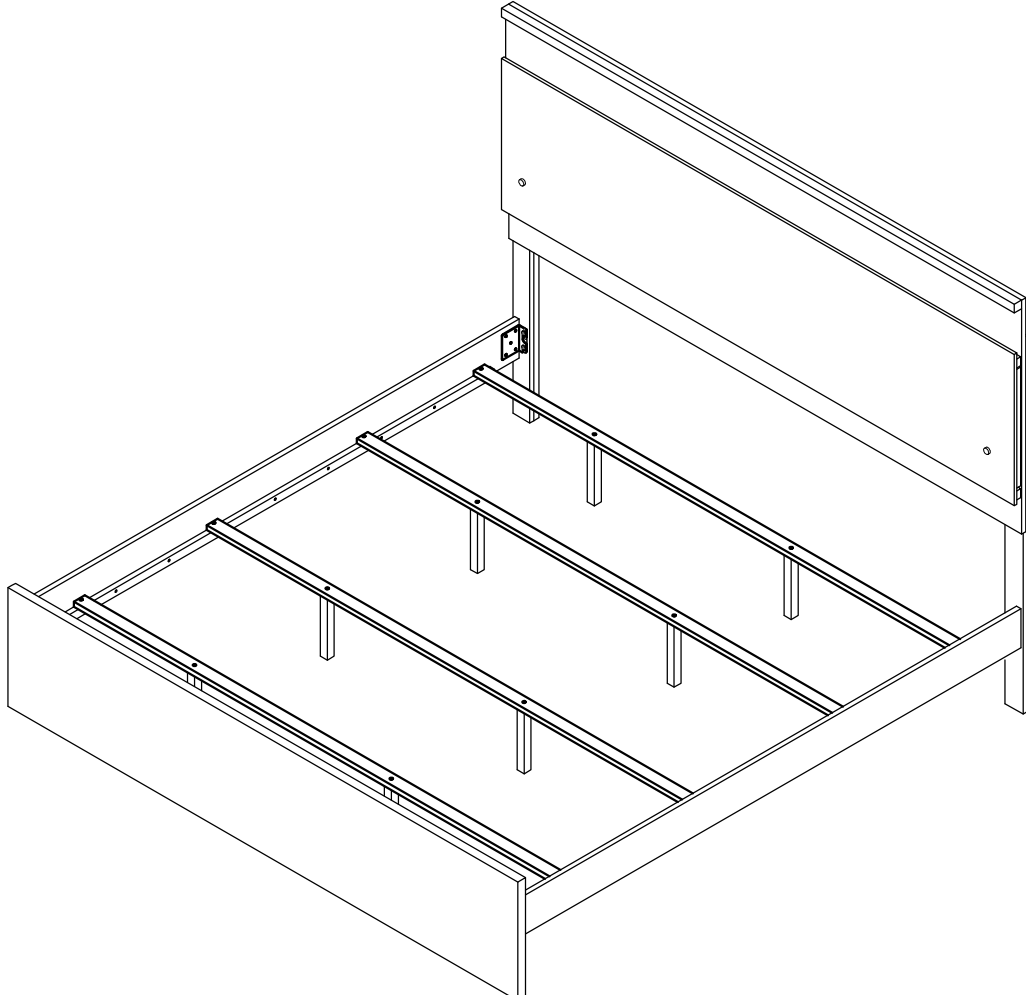
DESCRIPTION : KING SIZE HB WITH L.E.D + FOOTBOARD (4+8)
/ QUEEN/KING SIDE RAILS

Thank you for purchasing this quality product. Be sure to check all packing material carefully for small Hardware which may have come loose inside the carton during shipment. Identify and count all Hardware and compare with the Hardware List below.

Component List		
Headboard & Footboard		
No	Descriptions	Qty
A	Headboard Panel	1
B	Footboard Panel	1
C	Bed Slat	4
D	Bed Slat Support	8
E	Leg (L/R)	2

Hardware List In Headboard & Footboard			
No	Descriptions		Qty
1	JCBC Screw M6 x 30mm		6
2	Spring Washer Ø1/4"		6
3	Flat Washer Ø1/4" x 13mm		6
4	L Key M4		1
5	L Key M5		1
6	CSK M4 x 32mm		8

Side Rail		
No	Descriptions	Qty
F	Side Rail (L/R)	2

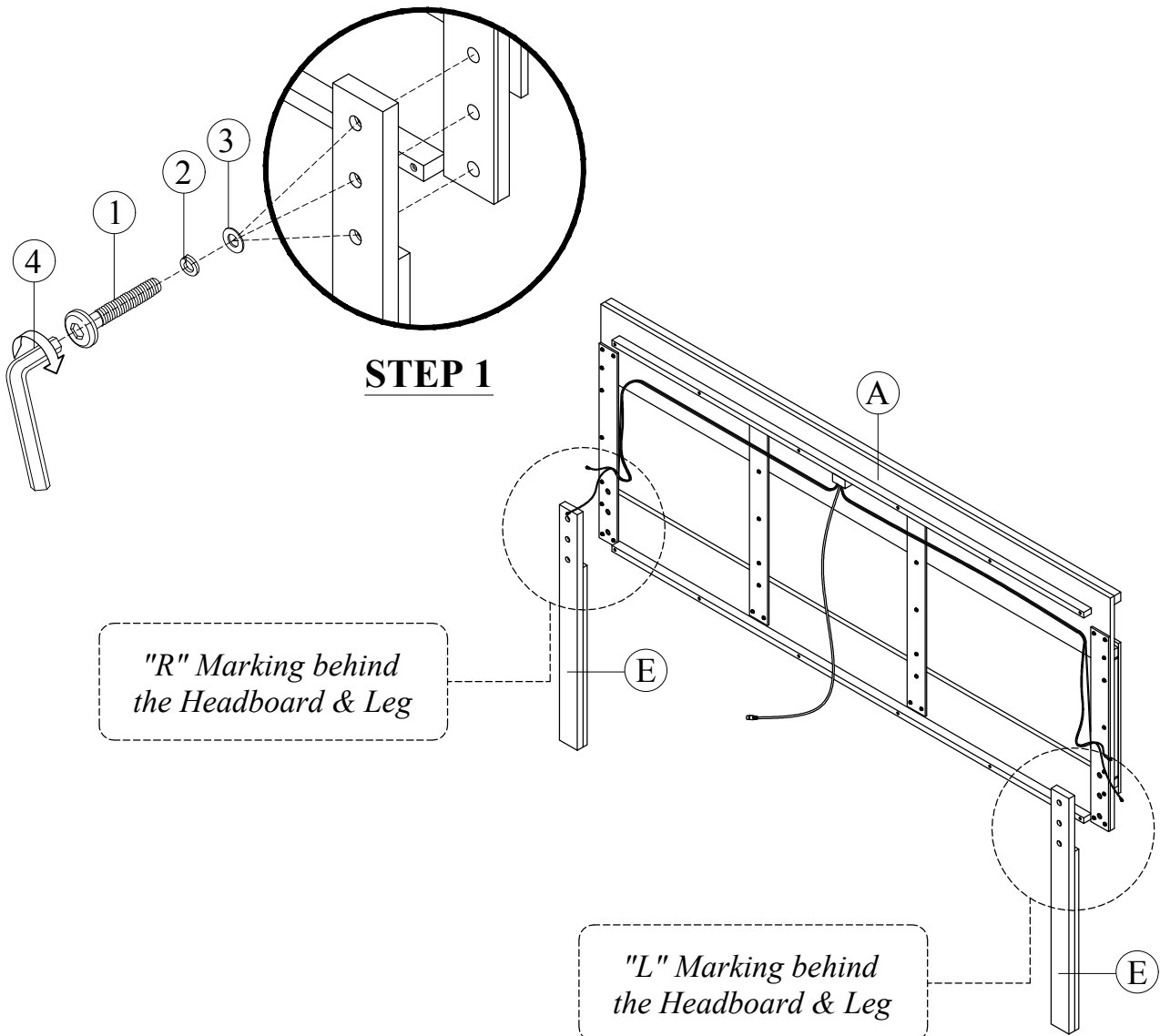


ASSEMBLY INSTRUCTION

DESCRIPTION : KING SIZE HB WITH L.E.D + FOOTBOARD (4+8)
/ QUEEN/KING SIDE RAILS

Thank you for purchasing this quality product. Be sure to check all packing material carefully for small Hardware which may have come loose inside the carton during shipment. Identify and count all Hardware and compare with the Hardware List below.

STEP 1 : Attach & tighten the Headboard Leg (E) to the Headboard Panel (A). Affix Headboard & Headboard Leg using JCBC screw M6 x 30mm (1), Spring Washer (2), Flat Washer (3) using L Key M4 (4).

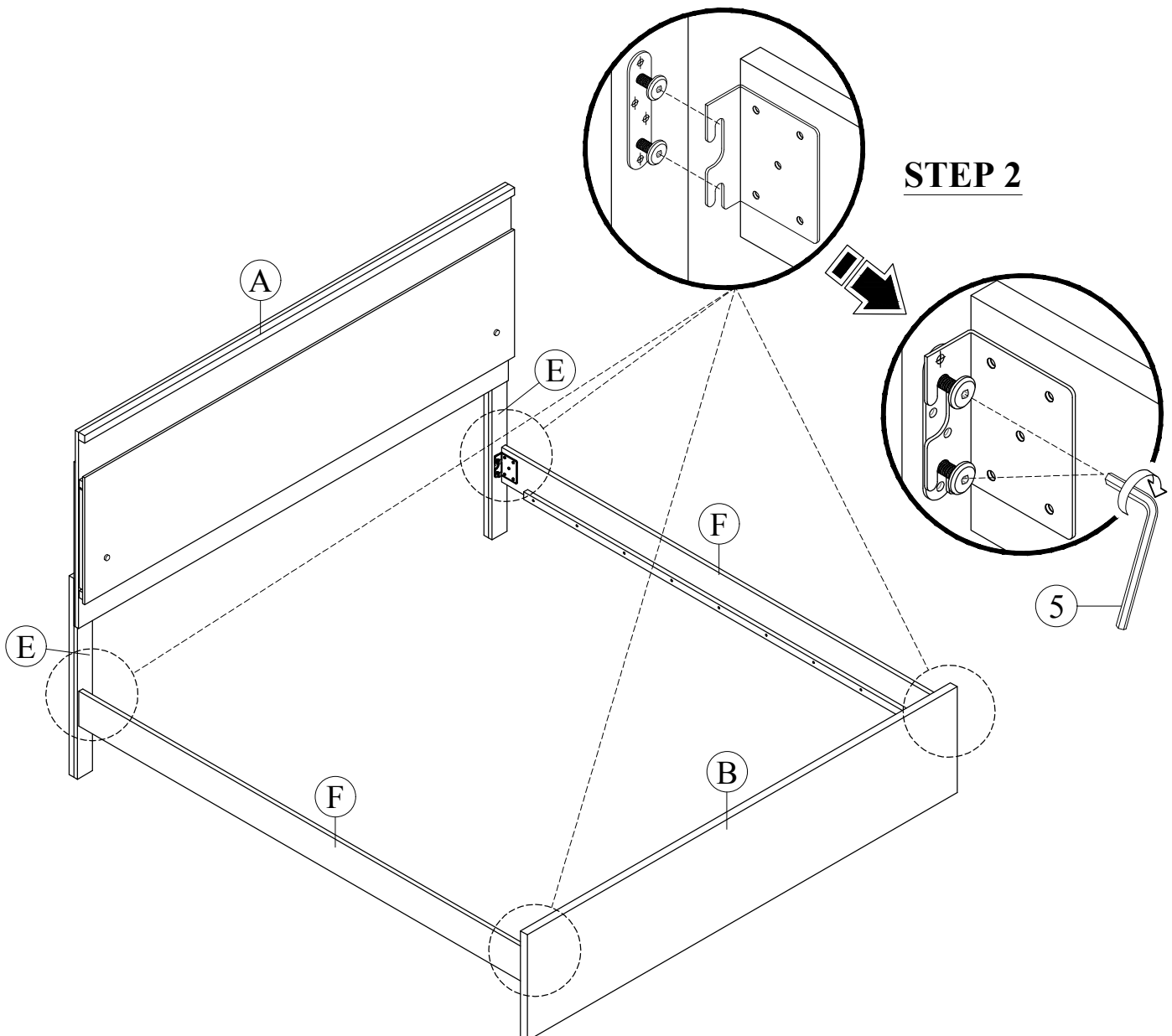


ASSEMBLY INSTRUCTION

DESCRIPTION : KING SIZE HB WITH L.E.D + FOOTBOARD (4+8)
/ QUEEN/KING SIDE RAILS

Thank you for purchasing this quality product. Be sure to check all packing material carefully for small Hardware which may have come loose inside the carton during shipment. Identify and count all Hardware and compare with the Hardware List below.

STEP 2 : Attach the Side Rail (F) to Headboard Leg L/R (E). Tighten screw on Headboard Leg by using L Key M5 (5) & repeat the same step on Footboard (B).



ASSEMBLY INSTRUCTION

DESCRIPTION : KING SIZE HB WITH L.E.D + FOOTBOARD (4+8)
/ QUEEN/KING SIDE RAILS

Thank you for purchasing this quality product. Be sure to check all packing material carefully for small Hardware which may have come loose inside the carton during shipment. Identify and count all Hardware and compare with the Hardware List below.

STEP 3 : Attach the Bed Slat Support (D) to the bottom of each Bed Slat (C).

STEP 4 : Attach Bed Slat (C) and tighten to Side Rail (F) with CSK M4 x 32mm (6).

