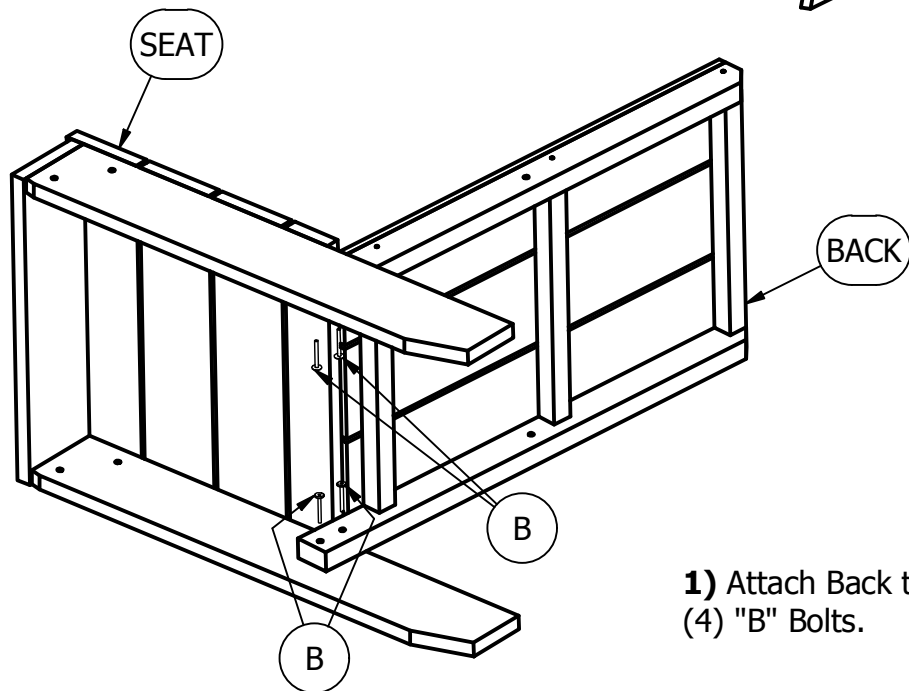
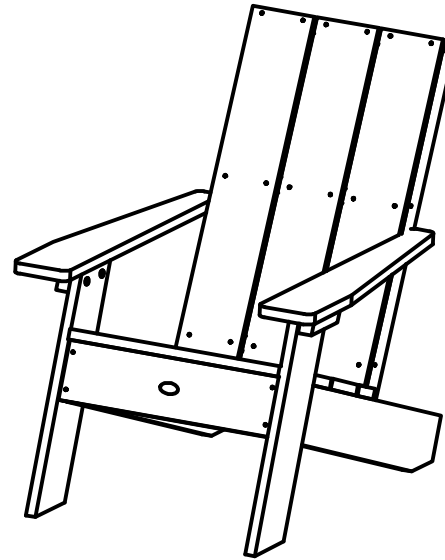


Modern Chair


Assembly Guide

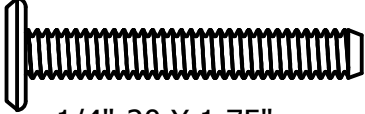


1) Attach Back to Seat Using (4) "B" Bolts.



HARDWARE

A  x8
1/4"-20 X 1.5"

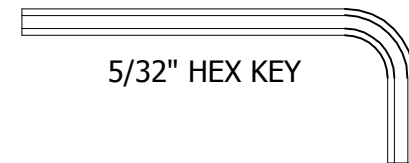
B  x6
1/4"-20 X 1.75"

IMPORTANT!

DO NOT fully tighten the bolts until all bolts are started. Once all bolts are inserted, go back & tighten all the bolts.

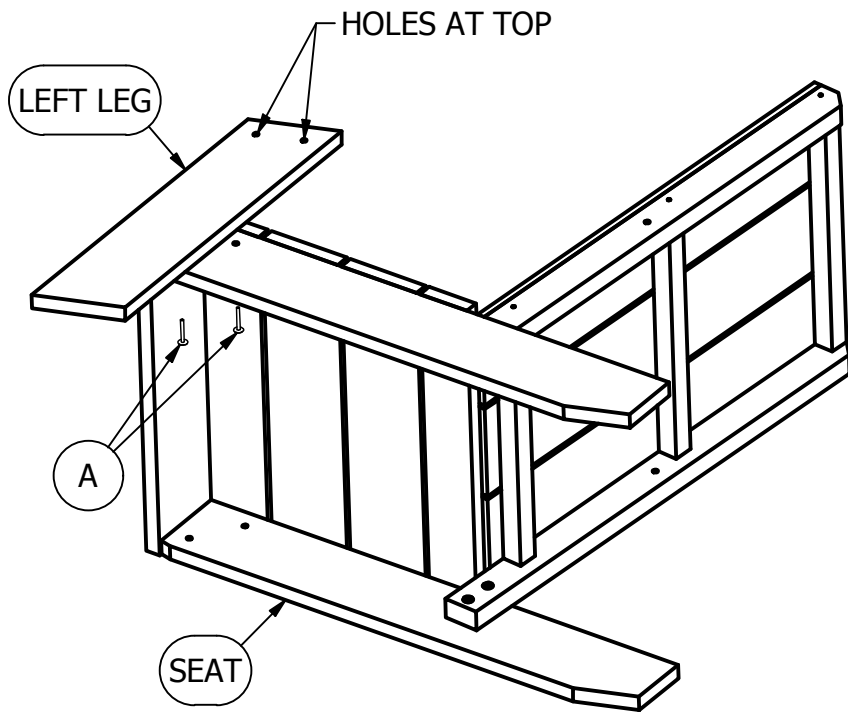
Retain these instructions for future reference

INCLUDED TOOLS

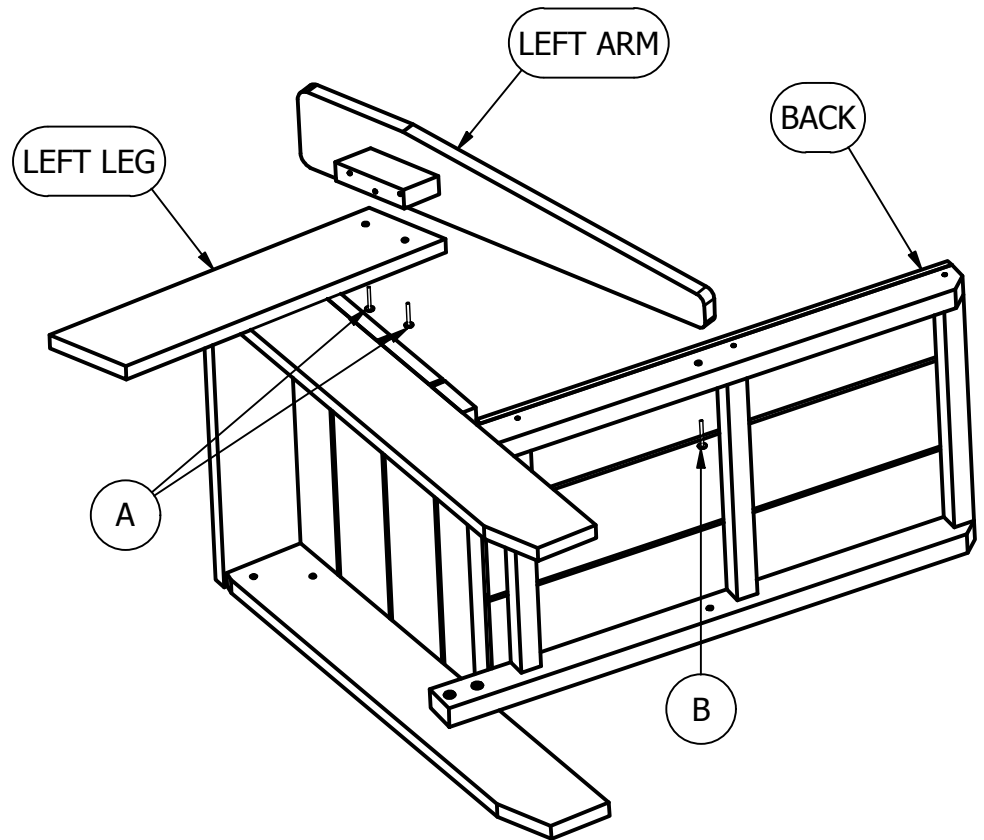


Modern Chair

Assembly Guide



2) With Holes Positioned at the Top as Shown, Attach Left Leg to Seat Using (2) "A" Bolts.



3) Attach Left Arm to Left Leg Using (2) "A" Bolts. Attach Left Arm to Back Using (1) "B" Bolt.

4) Repeat Steps "2" & "3" for Attaching Right Leg and Arm.

5) Tighten All Bolts.