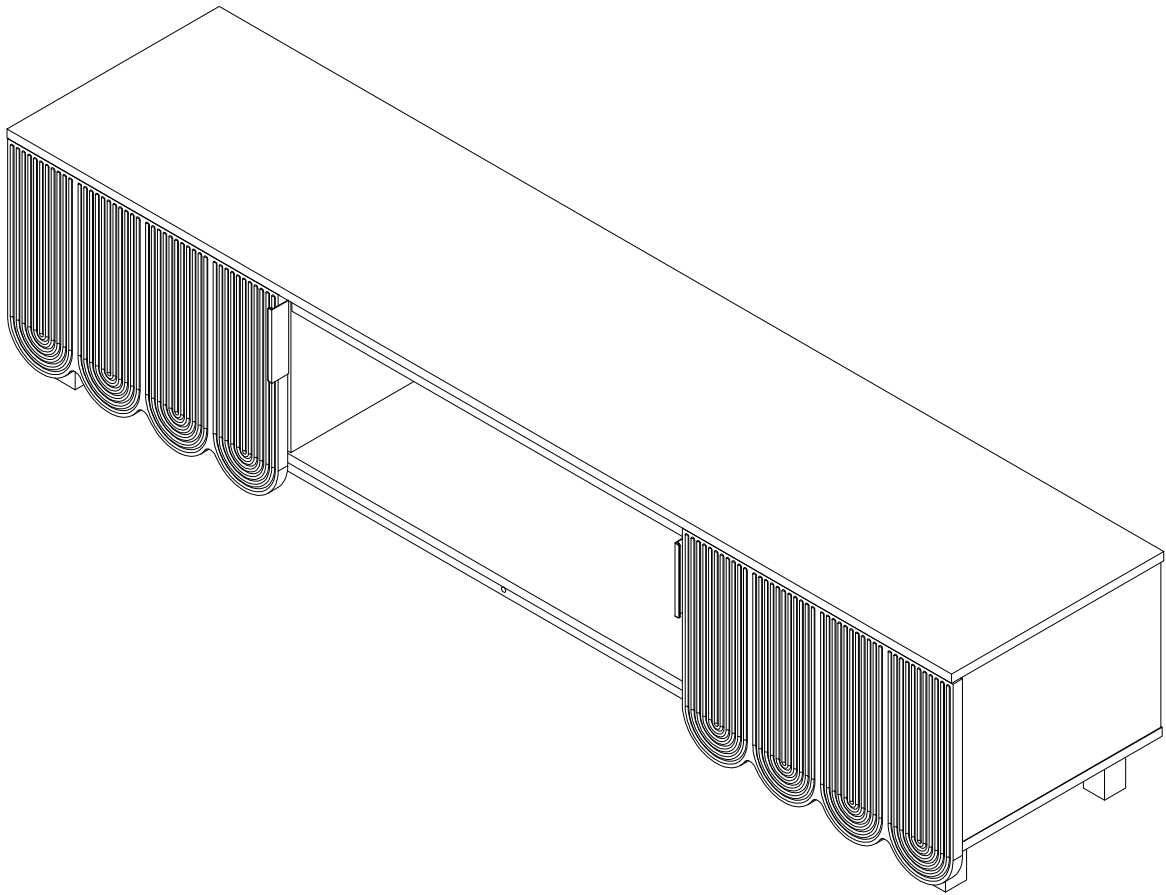
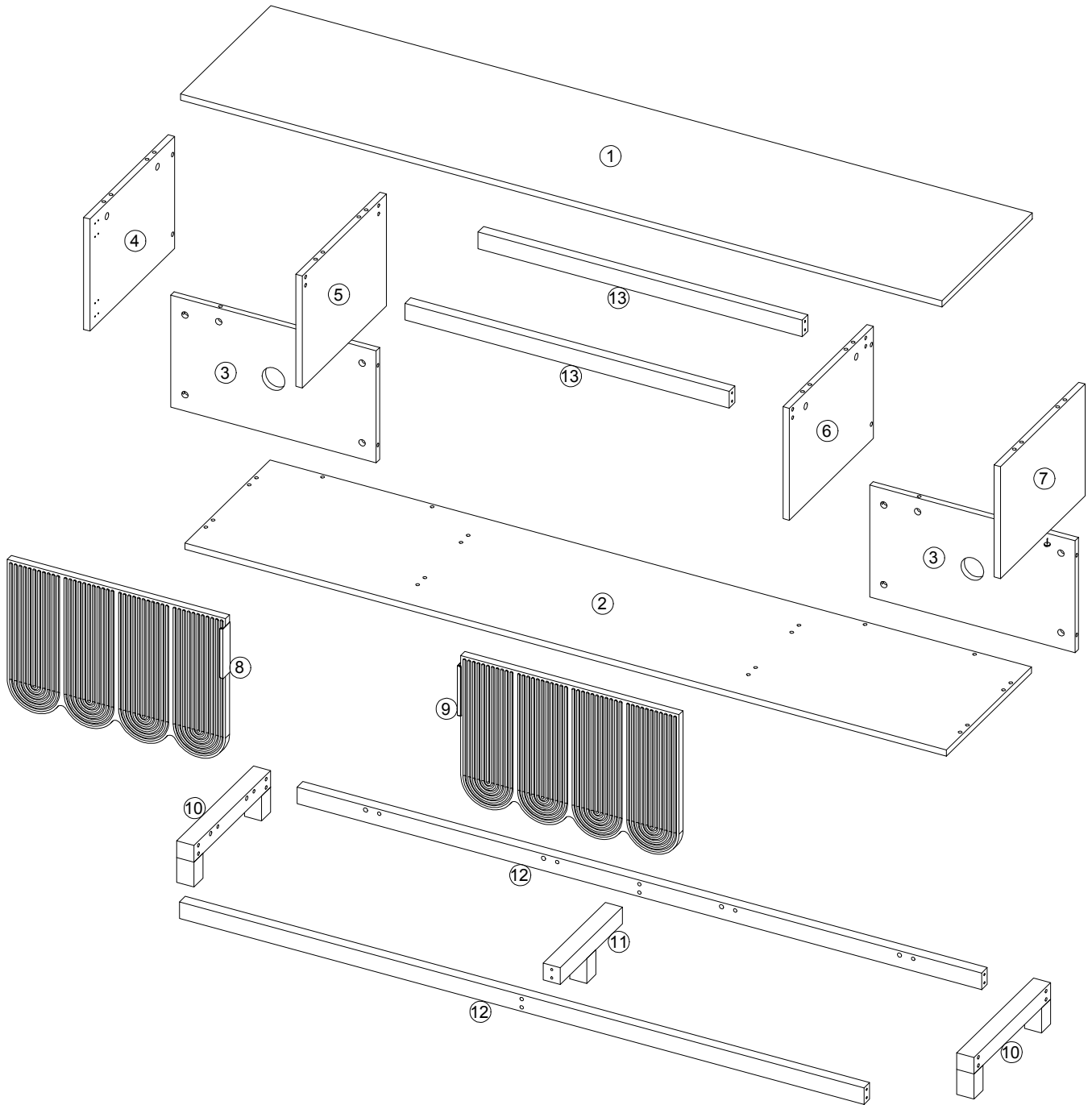


ASSEMBLY INSTRUCTION

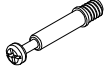

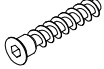

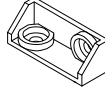
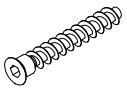
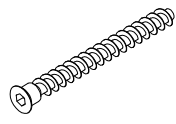

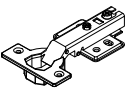



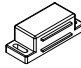



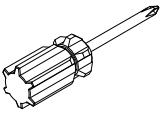
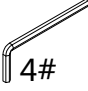
Please don't tighten the screws completely and go back later for a final tightening of all the screws after pieces are aligned with each other.



ASSEMBLY INSTRUCTION

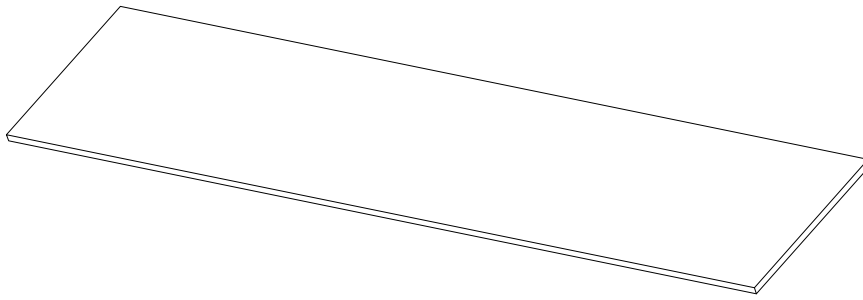


ASSEMBLY INSTRUCTION

<p>A M6*40mm</p>  <p>X20+2</p>	<p>B Ø15*11mm</p>  <p>X20+2</p>	<p>C M7*40mm</p>  <p>X20+2</p>	<p>D M6*10mm</p>  X2  X1 <p>X14</p>
<p>E M7*50mm</p>  <p>X4+1</p>	<p>F M7*70mm</p>  <p>X8+1</p>	<p>G</p>  <p>X2</p>	<p>H</p>  <p>X4</p>
<p>I M3.5*14mm</p>  <p>X28+4</p>	<p>J Ø8*35mm</p>  <p>X16+1</p>	<p>K -P</p>  <p>K1 X2</p>  <p>K2 X2</p> 	<p>L M3*14mm</p>  <p>X8+2</p>
<p>Ø21 x 0.3mm</p>  <p>X40</p>	 <p>X1</p>	 <p>4#</p> <p>X1</p>	

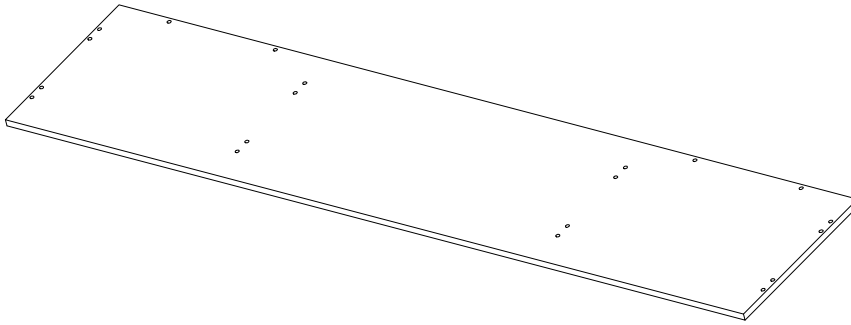
ASSEMBLY INSTRUCTION

1



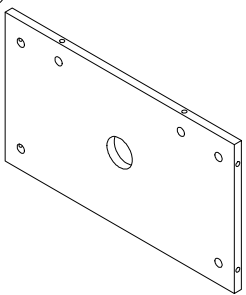
X1

2



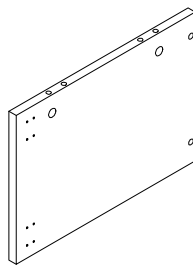
X1

3



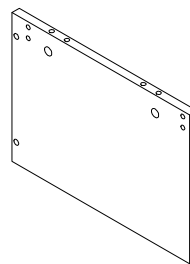
X2

4



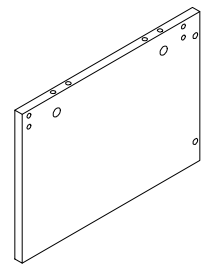
X1

5



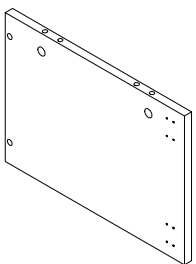
X1

6



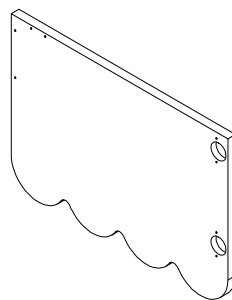
X1

7



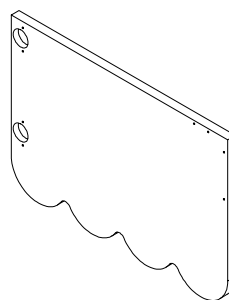
X1

8



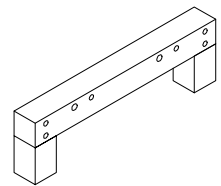
X1

9



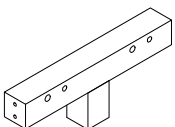
X1

10



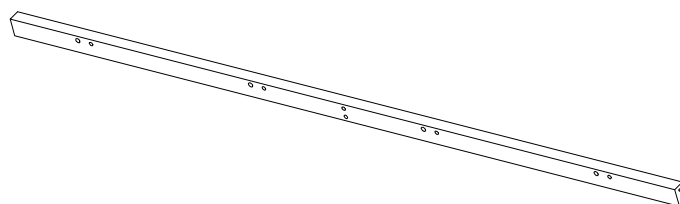
X2

11



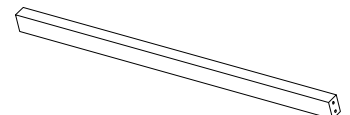
X1

12



X2

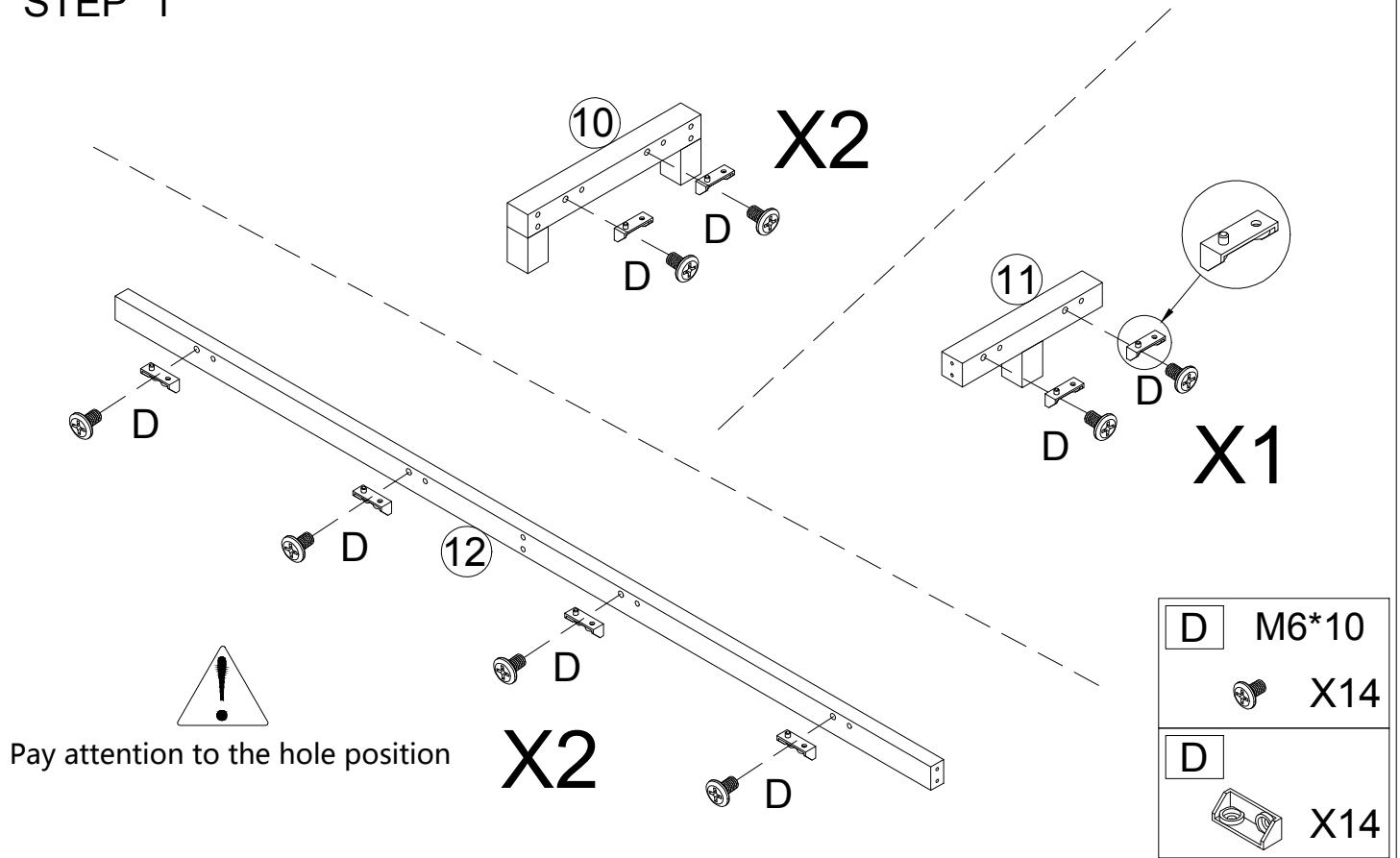
13



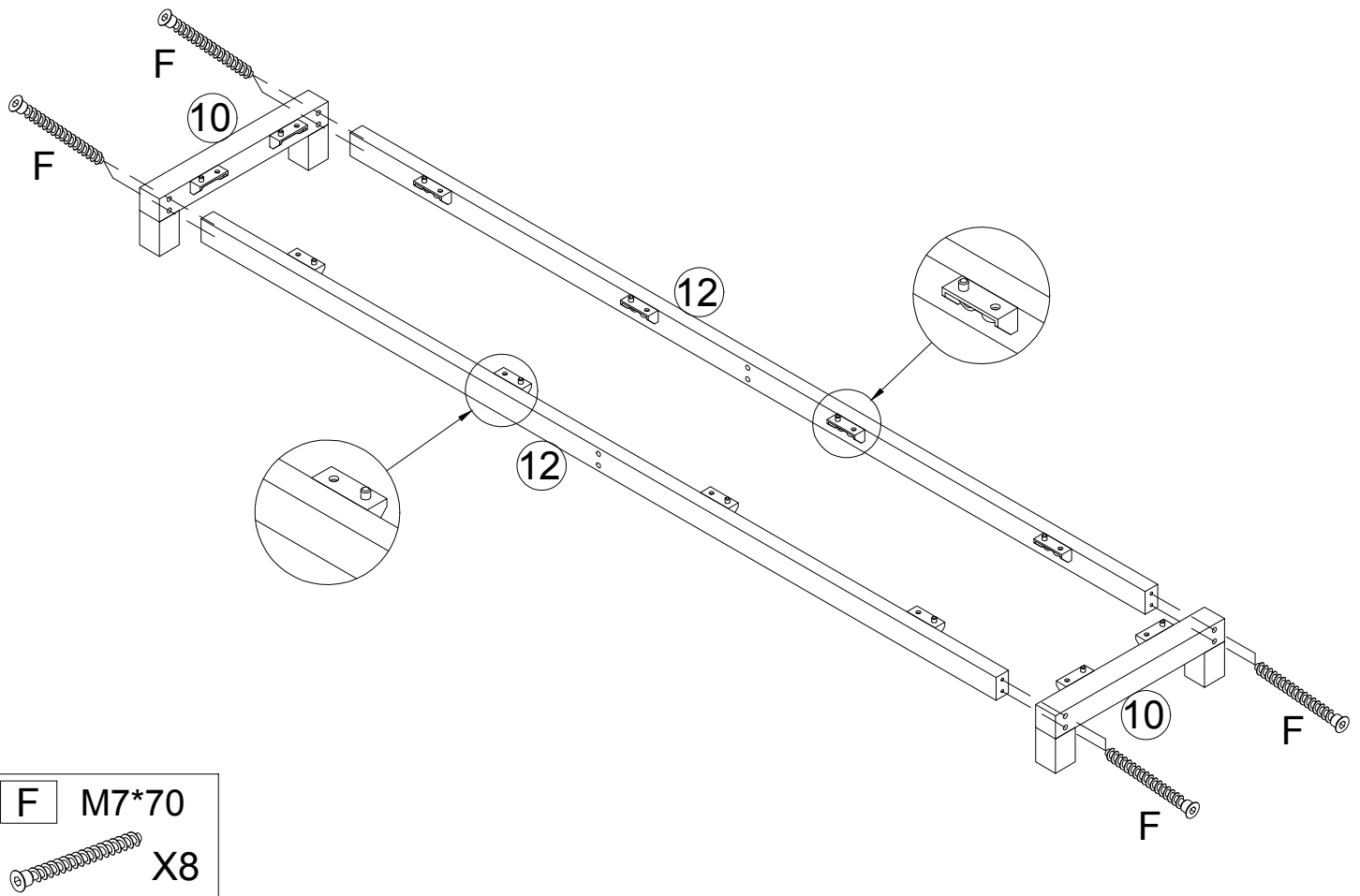
X2

ASSEMBLY INSTRUCTION

STEP 1

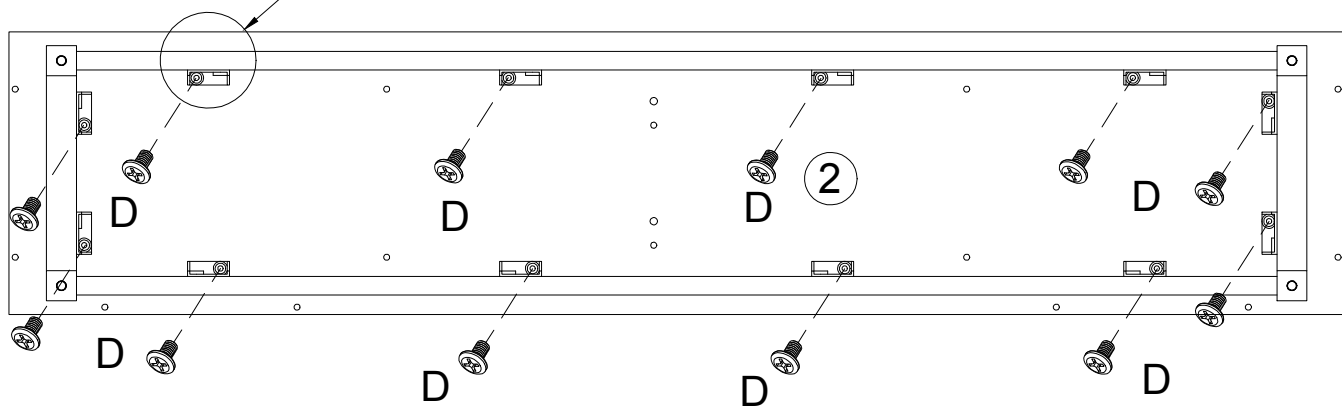
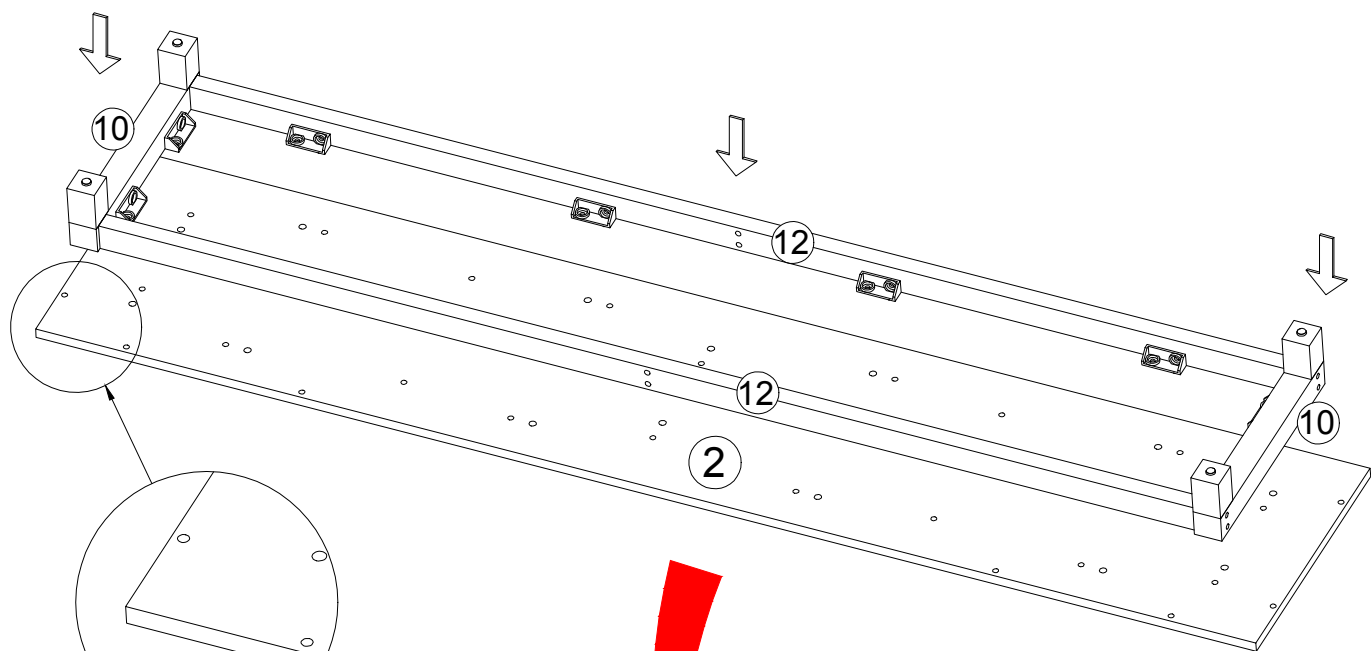



STEP 2



ASSEMBLY INSTRUCTION

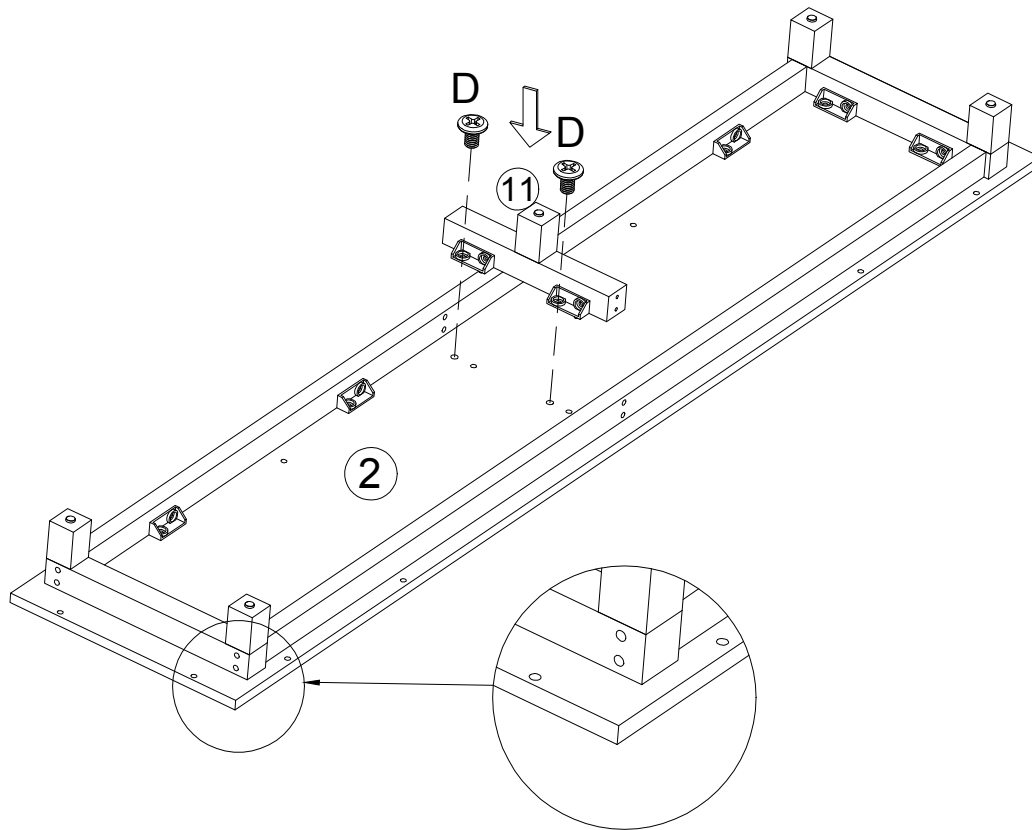
STEP 3




D	M6*10
	X12

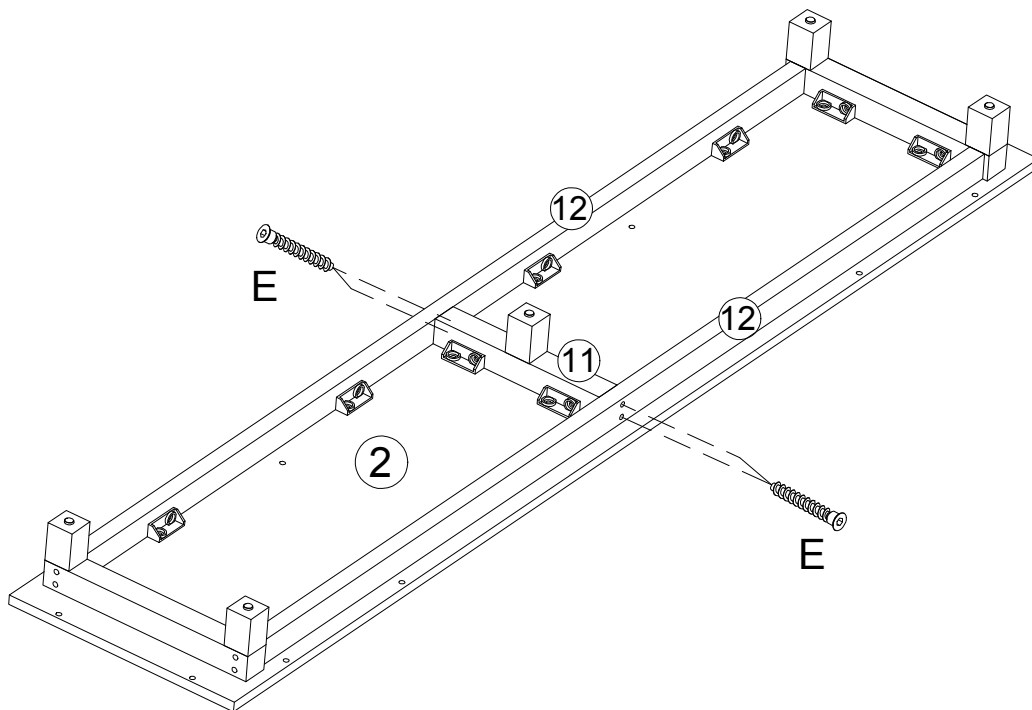
ASSEMBLY INSTRUCTION

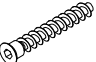
STEP 4



D	M6*10
	X2

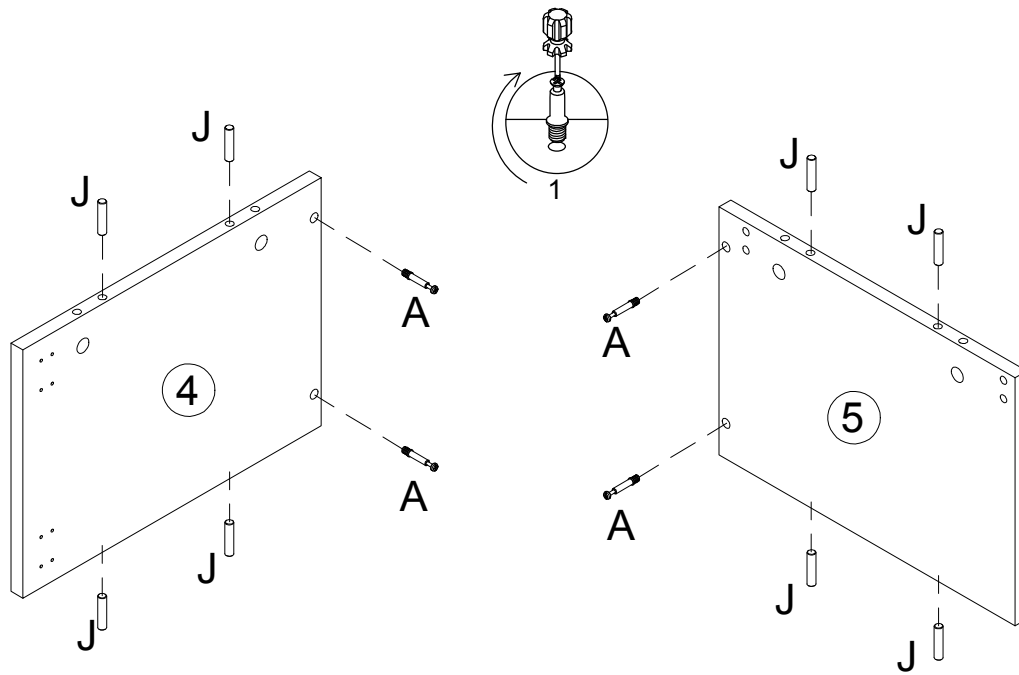
STEP 5

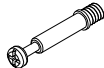
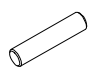


E	M7*50
	X4

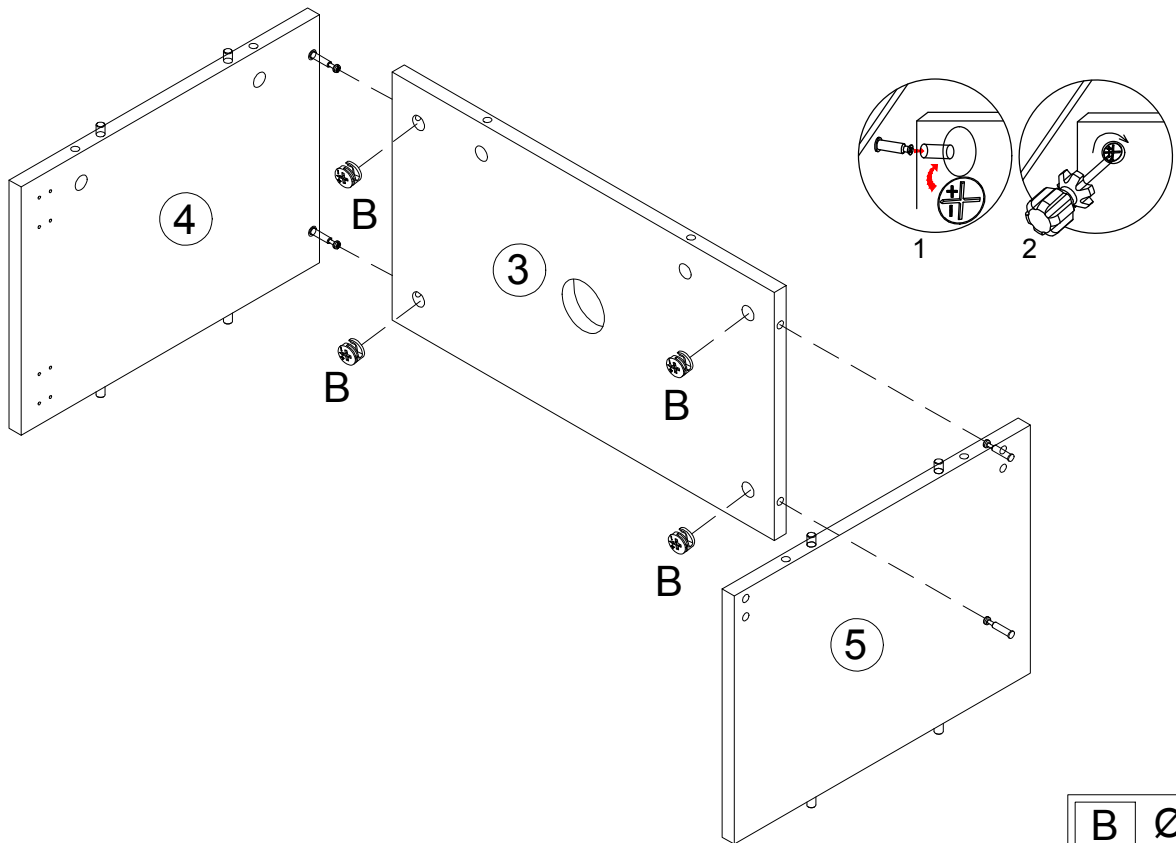
ASSEMBLY INSTRUCTION


STEP 6



A	M6*40
	X4
J	Ø8*35
	X8

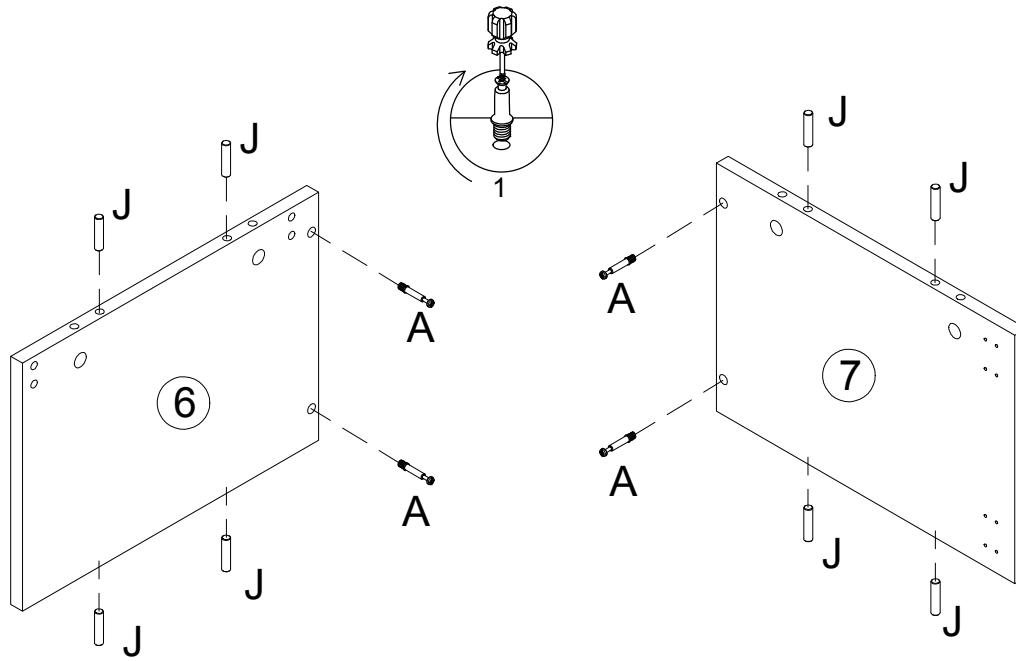
STEP 7

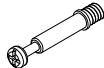
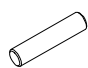


B	Ø15*11
	X4

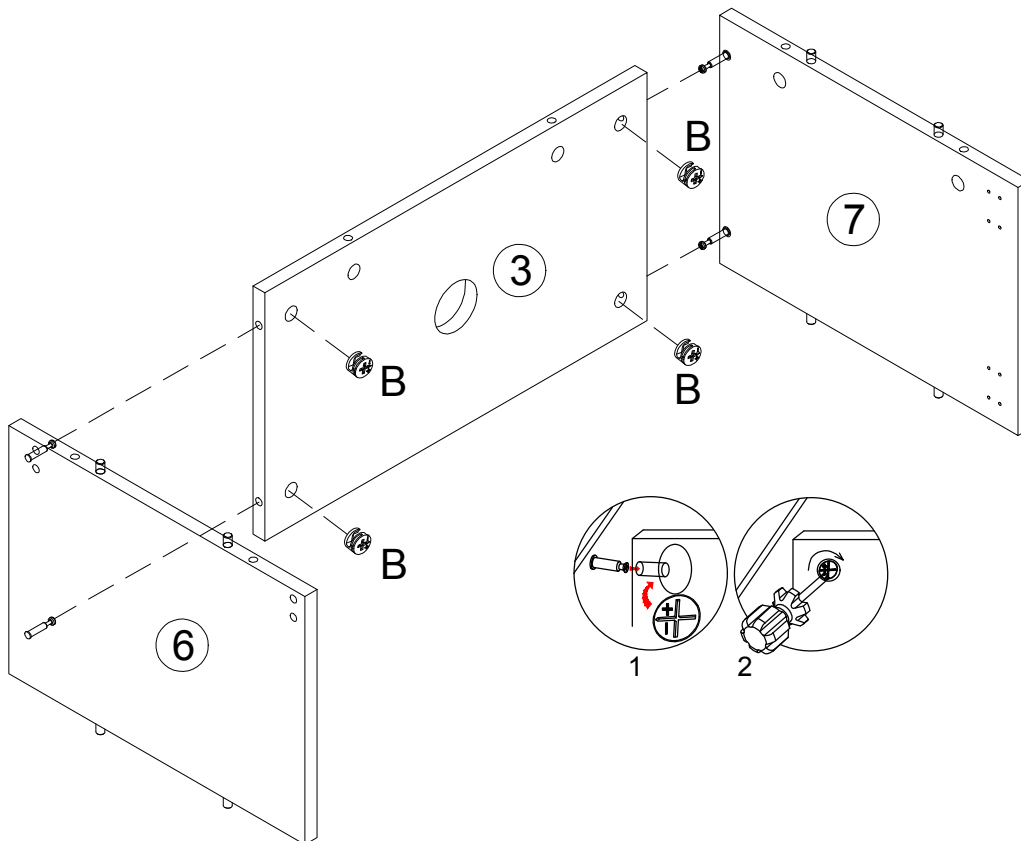
ASSEMBLY INSTRUCTION


STEP 8



A	M6*40
	X4
J	Ø8*35
	X8

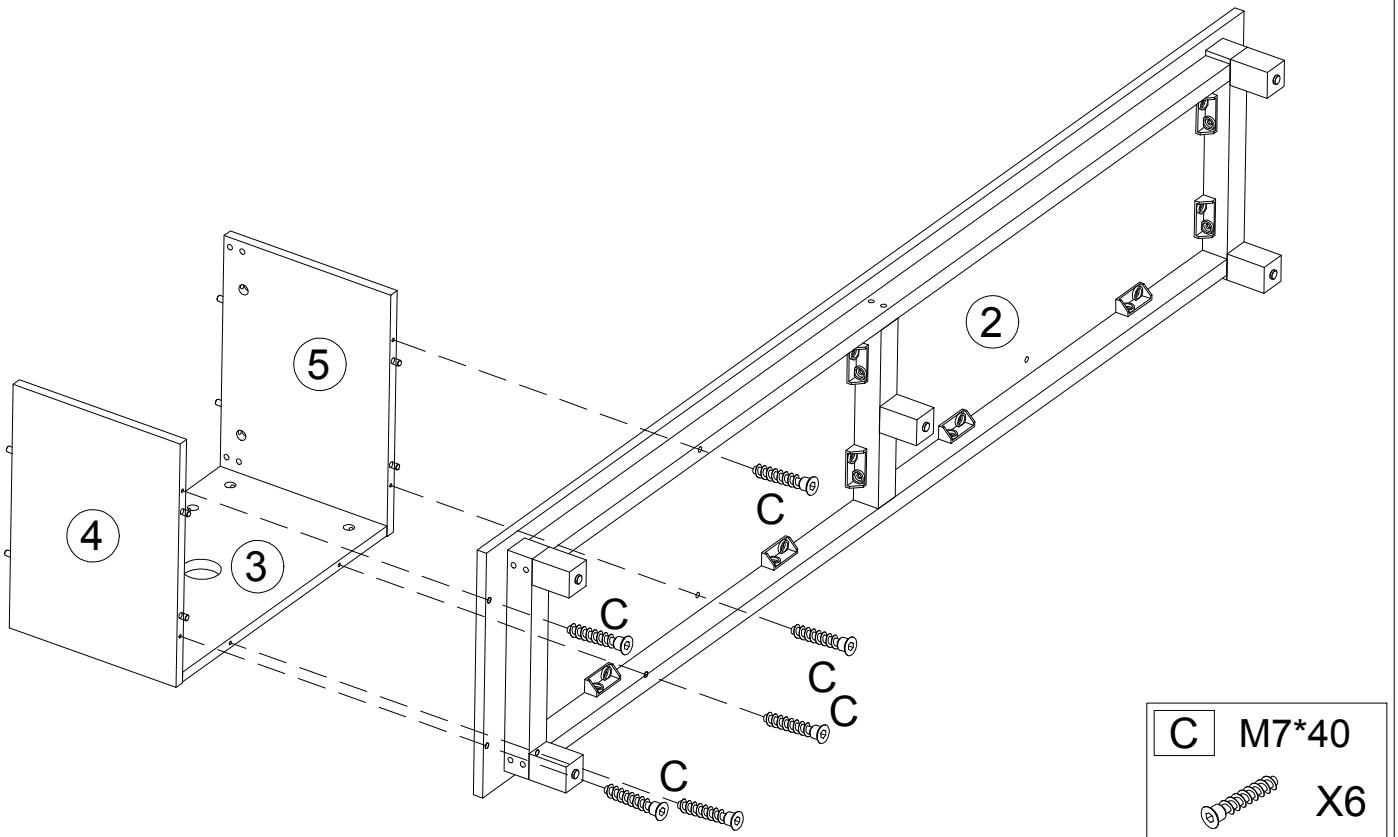
STEP 9



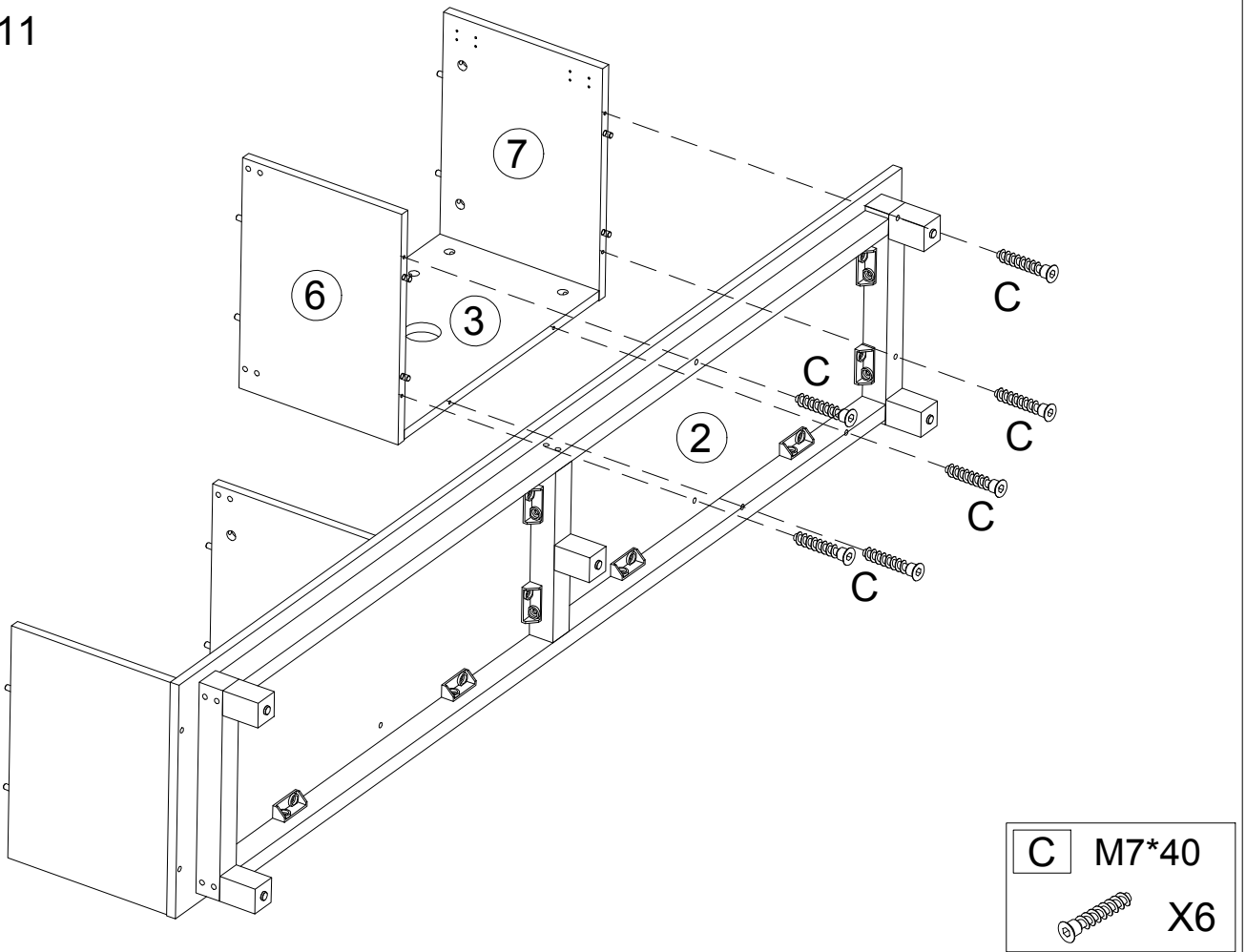
B	Ø15*11
	X4

ASSEMBLY INSTRUCTION

STEP 10

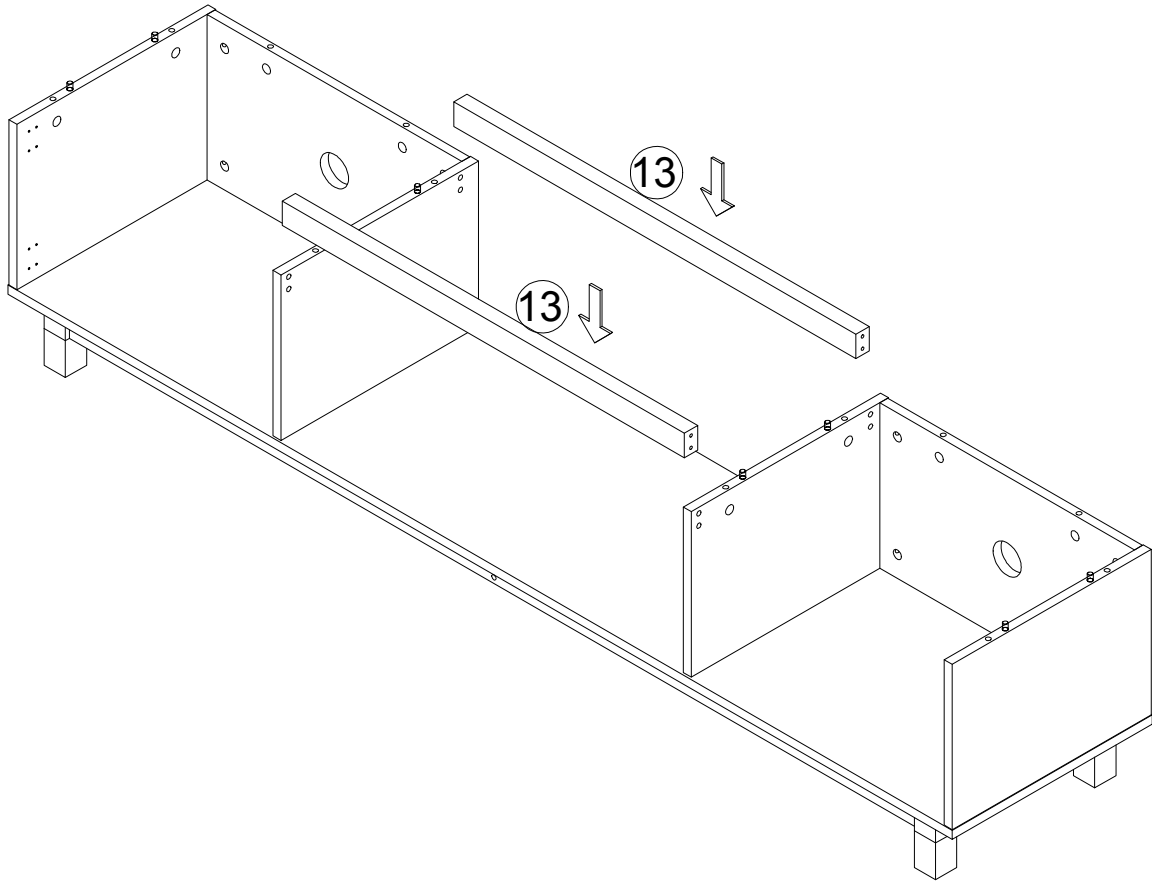


STEP 11

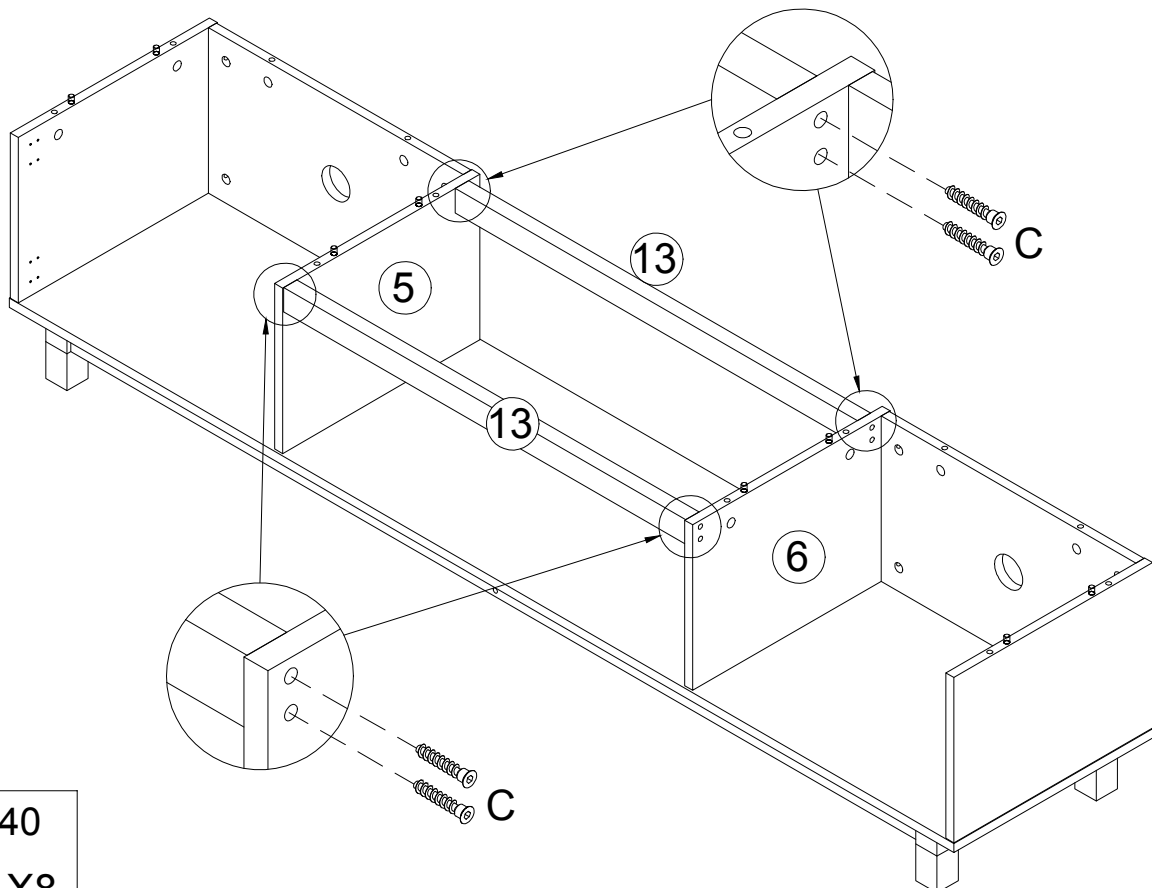


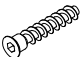
ASSEMBLY INSTRUCTION

STEP 12



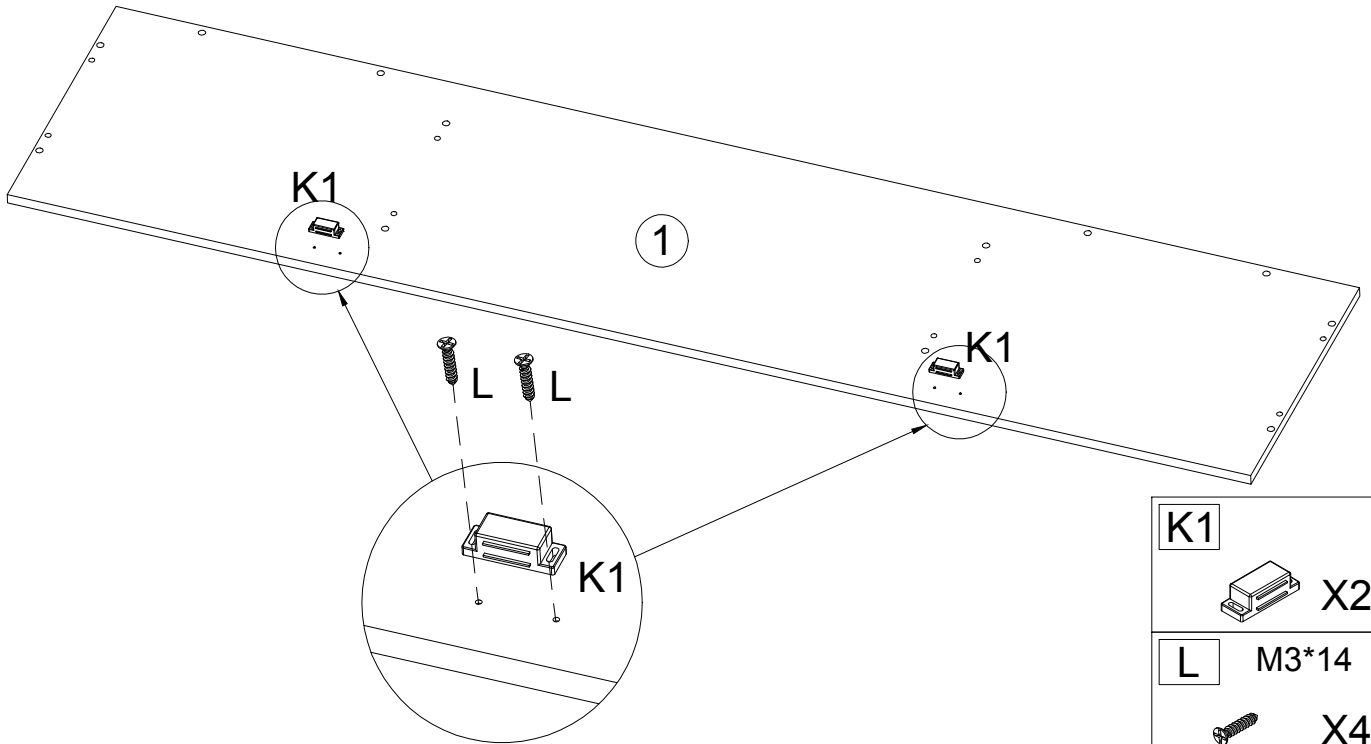
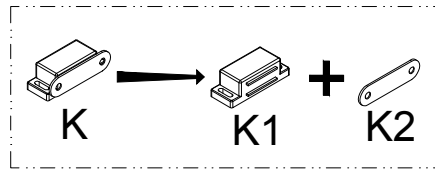
STEP 13

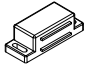



C	M7*40
	X8

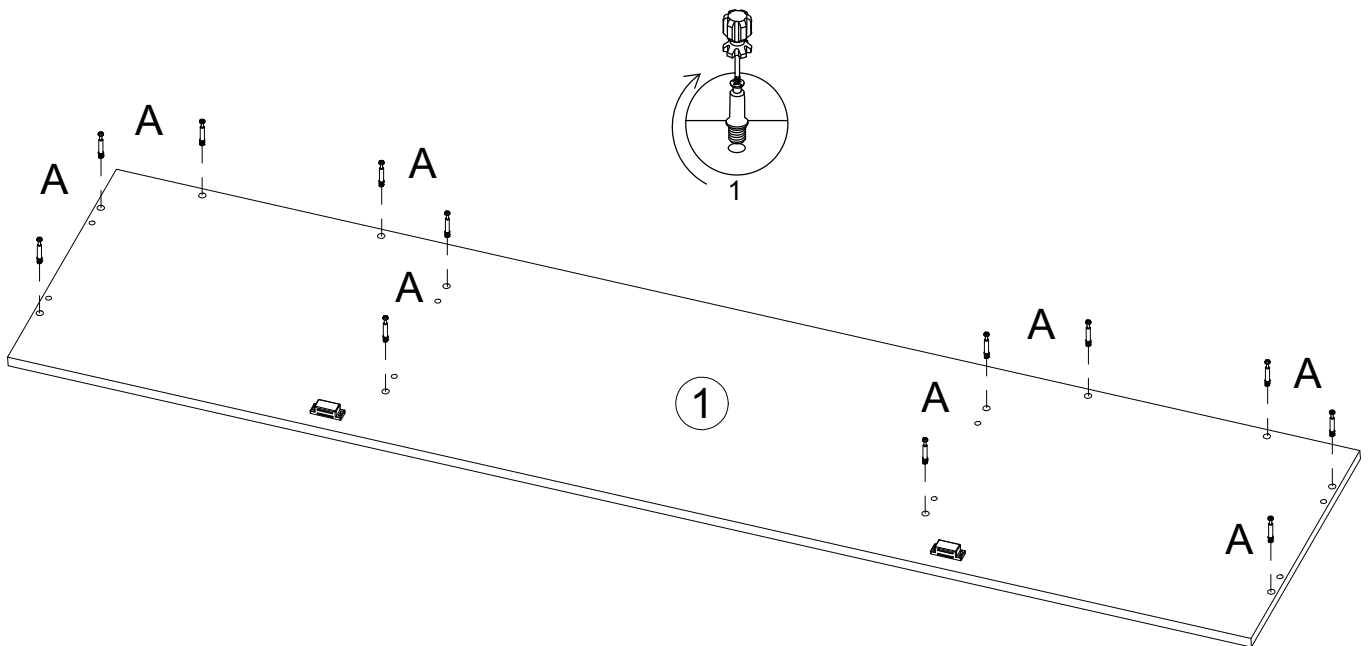
ASSEMBLY INSTRUCTION

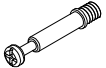
STEP 14



K1		X2
L	M3*14	
		X4

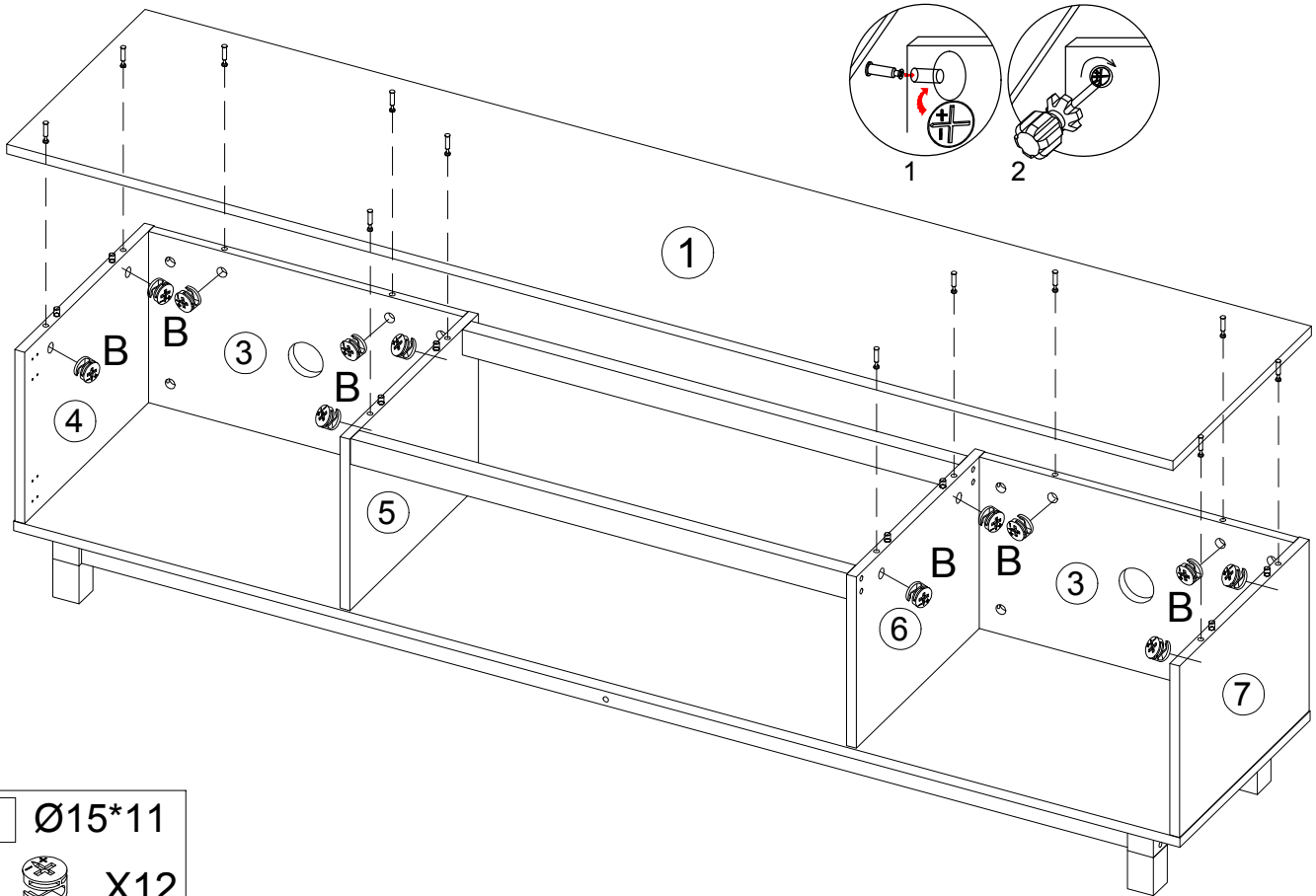
STEP 15




A	M6*40	
		X12

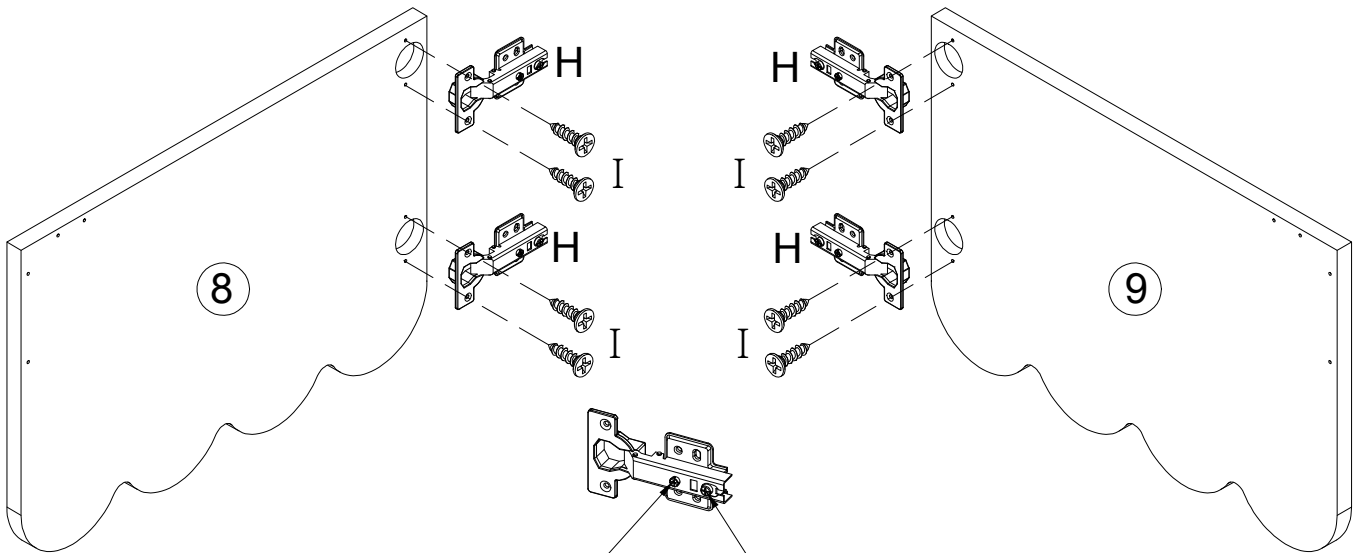
ASSEMBLY INSTRUCTION

STEP 16



B	Ø15*11
	X12

STEP 17





Adjust this screw to make the door turn left or right

Adjust this screw to make the door forward or backward

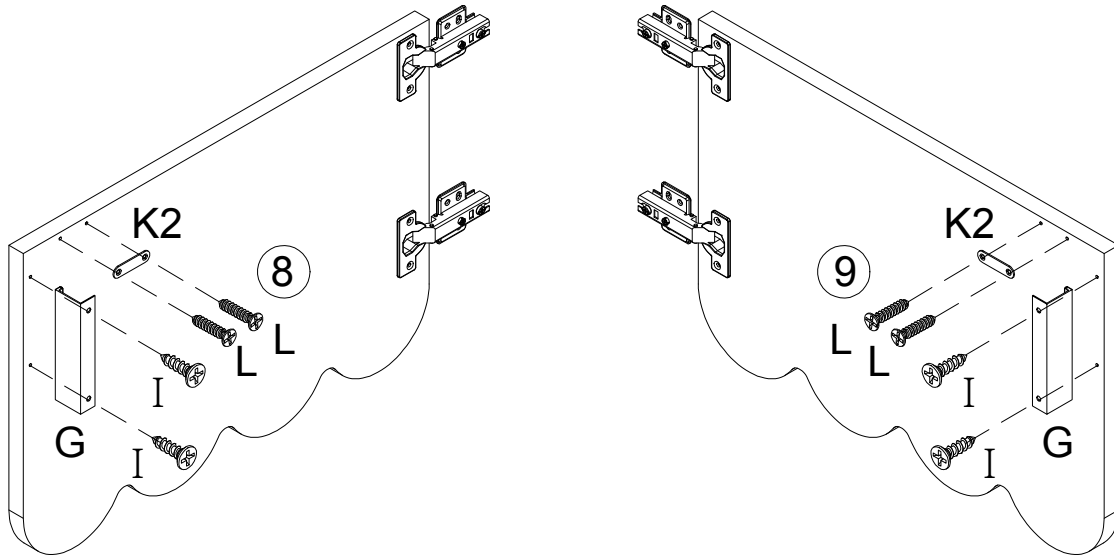
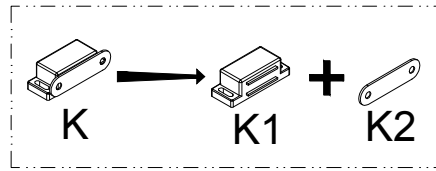


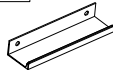



Note: After the door pane is installed, if the gap of the door is too large or too small, you can adjust this screw to adjust the gap of the door.

H	I	M3.5*14
		X8
		X4

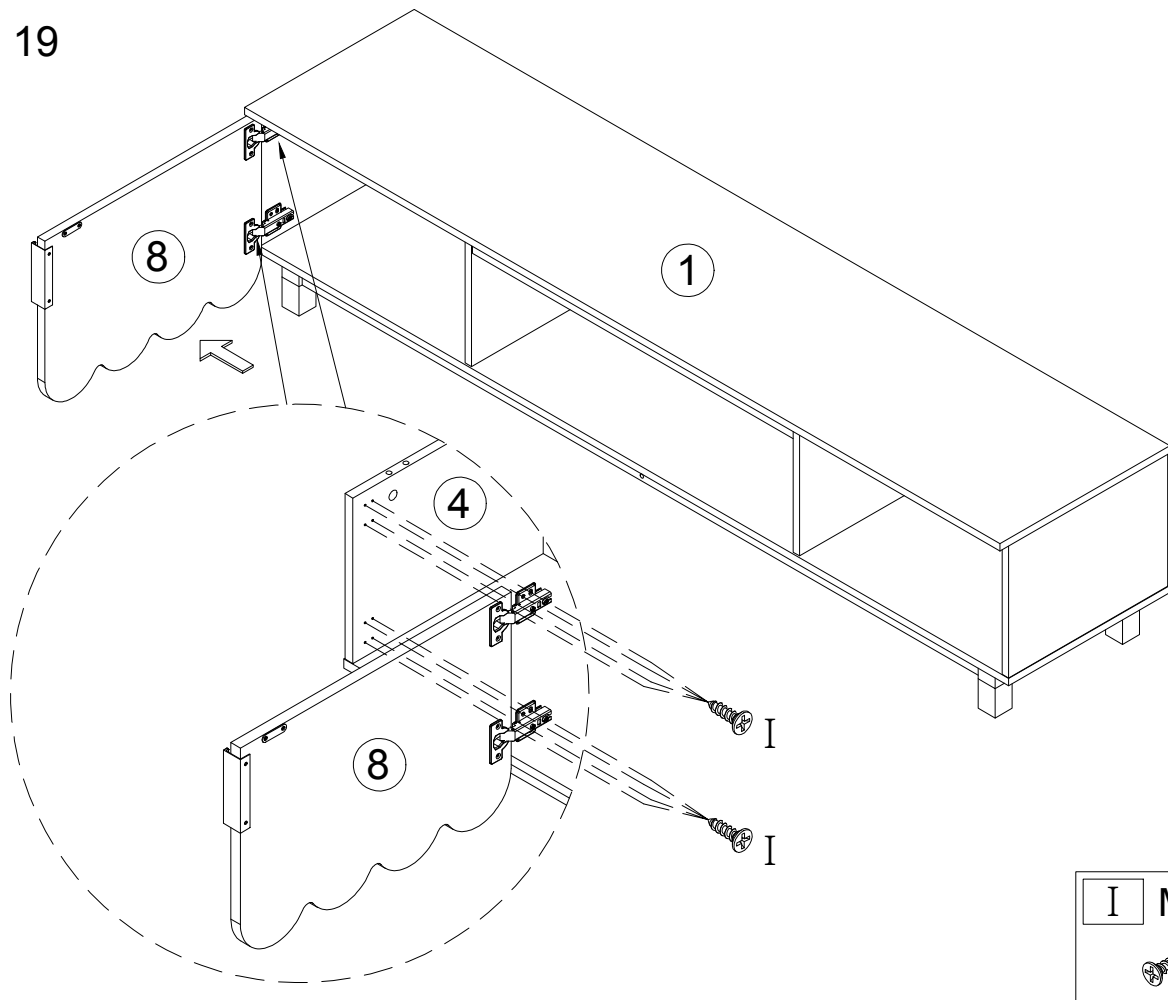
ASSEMBLY INSTRUCTION


STEP 18



G	I M3.5*14	K2	L M3*14
 X2	 X4	 X2	 X4

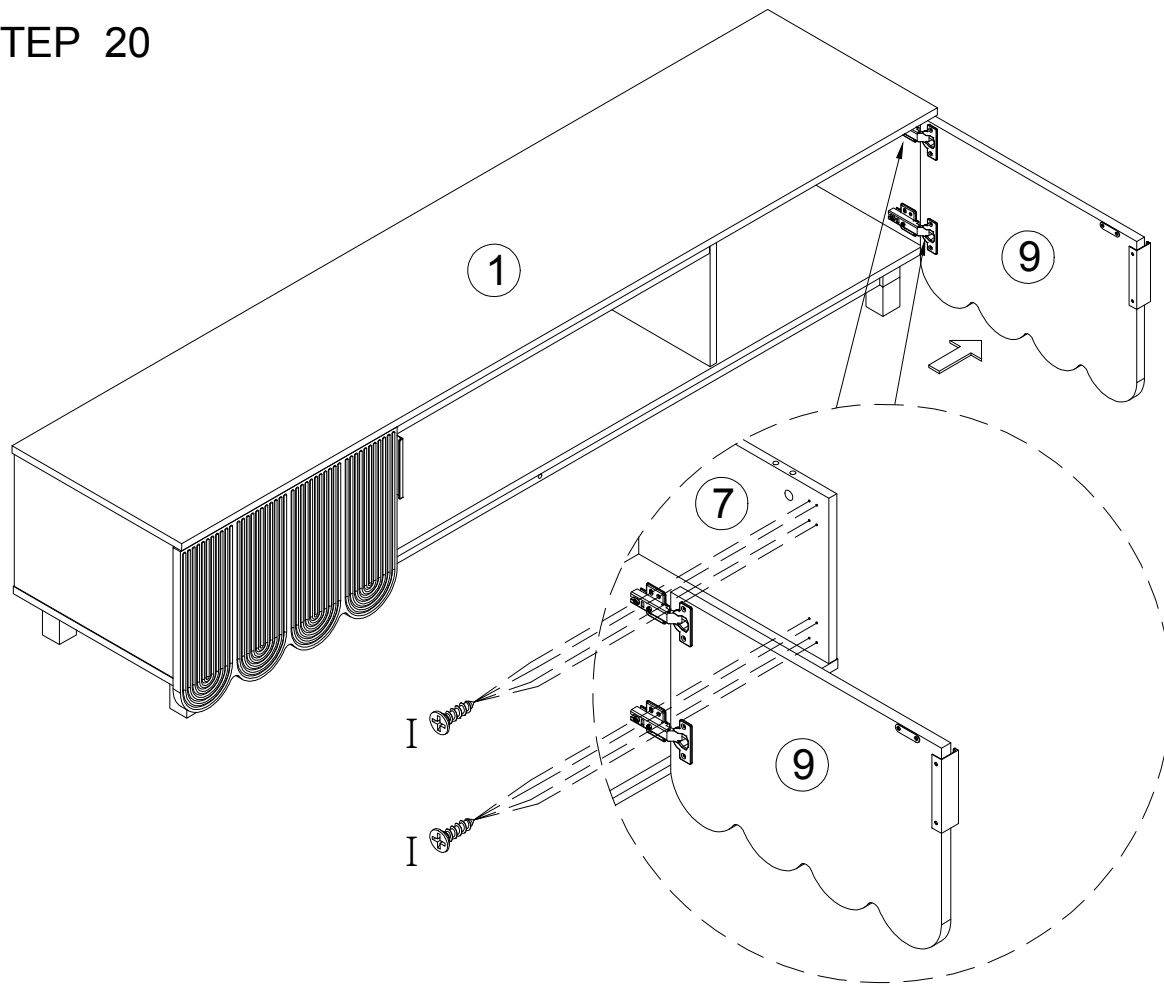
STEP 19



I M3.5*14
 X8

ASSEMBLY INSTRUCTION

STEP 20



STEP 21

